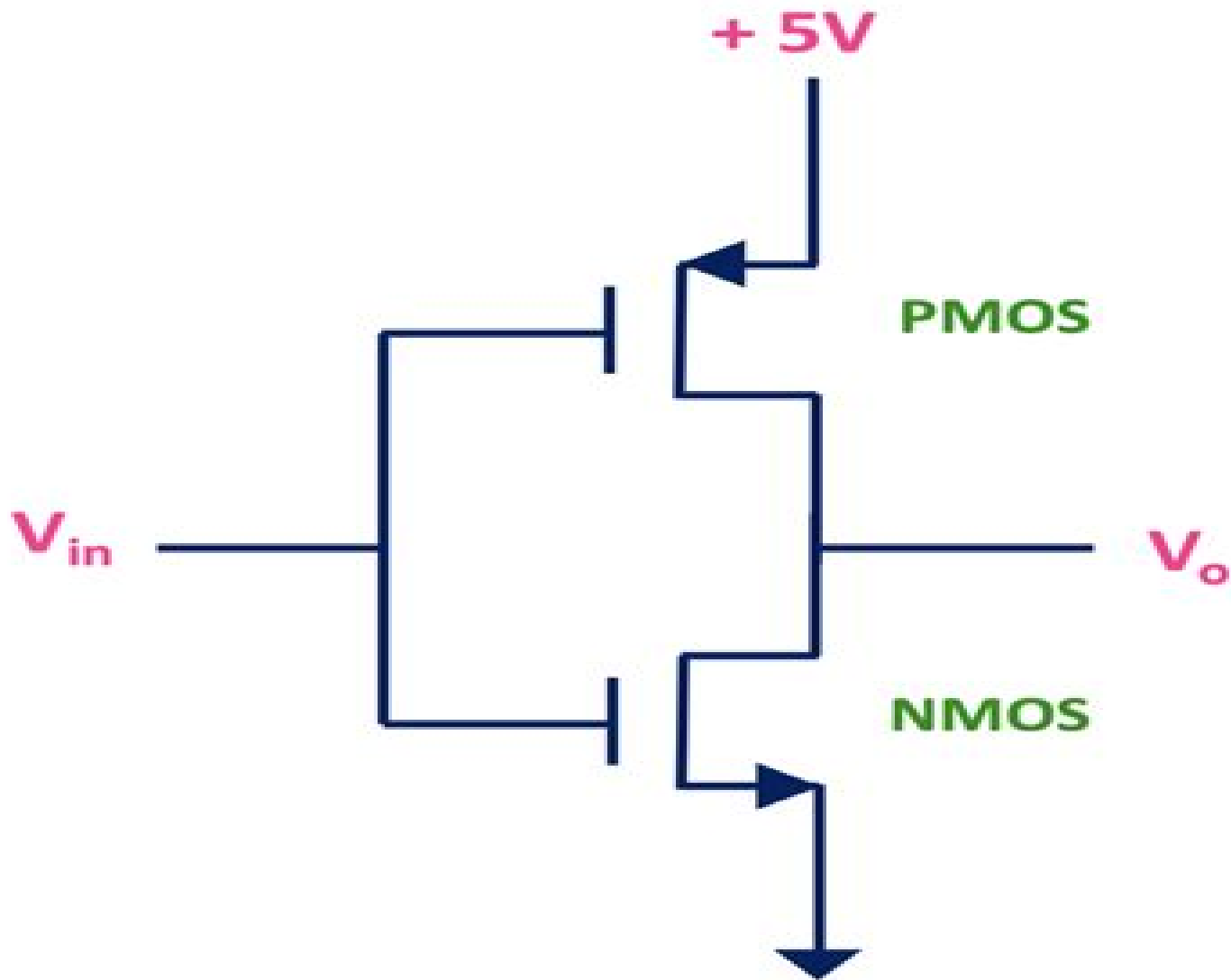


CMOS Inverter



Cmos Technology Logic Data Text

EW Minium



Cmos Technology Logic Data Text:

Getting the books **Cmos Technology Logic Data Text** now is not type of inspiring means. You could not without help going later book amassing or library or borrowing from your links to entrance them. This is an very easy means to specifically get lead by on-line. This online declaration Cmos Technology Logic Data Text can be one of the options to accompany you afterward having other time.

It will not waste your time. allow me, the e-book will unconditionally way of being you new business to read. Just invest tiny mature to admission this on-line broadcast **Cmos Technology Logic Data Text** as with ease as review them wherever you are now.

https://py.bijouxmedusa.com/results/book-search/Documents/Examples_America_82_2921_Side_Hustles_Examples_For_Creators_82_725_Side.pdf

Table of Contents Cmos Technology Logic Data Text

1. Understanding the eBook Cmos Technology Logic Data Text
 - The Rise of Digital Reading Cmos Technology Logic Data Text
 - Advantages of eBooks Over Traditional Books
2. Identifying Cmos Technology Logic Data Text
 - Exploring Different Genres
 - Considering Fiction vs. Non-Fiction
 - Determining Your Reading Goals
3. Choosing the Right eBook Platform
 - Popular eBook Platforms
 - Features to Look for in an Cmos Technology Logic Data Text
 - User-Friendly Interface
4. Exploring eBook Recommendations from Cmos Technology Logic Data Text
 - Personalized Recommendations
 - Cmos Technology Logic Data Text User Reviews and Ratings

- Cmos Technology Logic Data Text and Bestseller Lists
- 5. Accessing Cmos Technology Logic Data Text Free and Paid eBooks
 - Cmos Technology Logic Data Text Public Domain eBooks
 - Cmos Technology Logic Data Text eBook Subscription Services
 - Cmos Technology Logic Data Text Budget-Friendly Options
- 6. Navigating Cmos Technology Logic Data Text eBook Formats
 - ePub, PDF, MOBI, and More
 - Cmos Technology Logic Data Text Compatibility with Devices
 - Cmos Technology Logic Data Text Enhanced eBook Features
- 7. Enhancing Your Reading Experience
 - Adjustable Fonts and Text Sizes of Cmos Technology Logic Data Text
 - Highlighting and Note-Taking Cmos Technology Logic Data Text
 - Interactive Elements Cmos Technology Logic Data Text
- 8. Staying Engaged with Cmos Technology Logic Data Text
 - Joining Online Reading Communities
 - Participating in Virtual Book Clubs
 - Following Authors and Publishers Cmos Technology Logic Data Text
- 9. Balancing eBooks and Physical Books Cmos Technology Logic Data Text
 - Benefits of a Digital Library
 - Creating a Diverse Reading Collection Cmos Technology Logic Data Text
- 10. Overcoming Reading Challenges
 - Dealing with Digital Eye Strain
 - Minimizing Distractions
 - Managing Screen Time
- 11. Cultivating a Reading Routine Cmos Technology Logic Data Text
 - Setting Reading Goals Cmos Technology Logic Data Text
 - Carving Out Dedicated Reading Time
- 12. Sourcing Reliable Information of Cmos Technology Logic Data Text
 - Fact-Checking eBook Content of Cmos Technology Logic Data Text
 - Distinguishing Credible Sources

13. Promoting Lifelong Learning
 - Utilizing eBooks for Skill Development
 - Exploring Educational eBooks
14. Embracing eBook Trends
 - Integration of Multimedia Elements
 - Interactive and Gamified eBooks

Cmos Technology Logic Data Text Introduction

In this digital age, the convenience of accessing information at our fingertips has become a necessity. Whether its research papers, eBooks, or user manuals, PDF files have become the preferred format for sharing and reading documents. However, the cost associated with purchasing PDF files can sometimes be a barrier for many individuals and organizations. Thankfully, there are numerous websites and platforms that allow users to download free PDF files legally. In this article, we will explore some of the best platforms to download free PDFs. One of the most popular platforms to download free PDF files is Project Gutenberg. This online library offers over 60,000 free eBooks that are in the public domain. From classic literature to historical documents, Project Gutenberg provides a wide range of PDF files that can be downloaded and enjoyed on various devices. The website is user-friendly and allows users to search for specific titles or browse through different categories. Another reliable platform for downloading Cmos Technology Logic Data Text free PDF files is Open Library. With its vast collection of over 1 million eBooks, Open Library has something for every reader. The website offers a seamless experience by providing options to borrow or download PDF files. Users simply need to create a free account to access this treasure trove of knowledge. Open Library also allows users to contribute by uploading and sharing their own PDF files, making it a collaborative platform for book enthusiasts. For those interested in academic resources, there are websites dedicated to providing free PDFs of research papers and scientific articles. One such website is Academia.edu, which allows researchers and scholars to share their work with a global audience. Users can download PDF files of research papers, theses, and dissertations covering a wide range of subjects. Academia.edu also provides a platform for discussions and networking within the academic community. When it comes to downloading Cmos Technology Logic Data Text free PDF files of magazines, brochures, and catalogs, Issuu is a popular choice. This digital publishing platform hosts a vast collection of publications from around the world. Users can search for specific titles or explore various categories and genres. Issuu offers a seamless reading experience with its user-friendly interface and allows users to download PDF files for offline reading. Apart from dedicated platforms, search engines also play a crucial role in finding free PDF files. Google, for instance, has an advanced search feature that allows users to filter results by file type. By specifying the file type as "PDF," users can find websites that

offer free PDF downloads on a specific topic. While downloading Cmos Technology Logic Data Text free PDF files is convenient, its important to note that copyright laws must be respected. Always ensure that the PDF files you download are legally available for free. Many authors and publishers voluntarily provide free PDF versions of their work, but its essential to be cautious and verify the authenticity of the source before downloading Cmos Technology Logic Data Text. In conclusion, the internet offers numerous platforms and websites that allow users to download free PDF files legally. Whether its classic literature, research papers, or magazines, there is something for everyone. The platforms mentioned in this article, such as Project Gutenberg, Open Library, Academia.edu, and Issuu, provide access to a vast collection of PDF files. However, users should always be cautious and verify the legality of the source before downloading Cmos Technology Logic Data Text any PDF files. With these platforms, the world of PDF downloads is just a click away.

FAQs About Cmos Technology Logic Data Text Books

What is a Cmos Technology Logic Data Text PDF? A PDF (Portable Document Format) is a file format developed by Adobe that preserves the layout and formatting of a document, regardless of the software, hardware, or operating system used to view or print it. **How do I create a Cmos Technology Logic Data Text PDF?** There are several ways to create a PDF: Use software like Adobe Acrobat, Microsoft Word, or Google Docs, which often have built-in PDF creation tools. Print to PDF: Many applications and operating systems have a "Print to PDF" option that allows you to save a document as a PDF file instead of printing it on paper. Online converters: There are various online tools that can convert different file types to PDF. **How do I edit a Cmos Technology Logic Data Text PDF?** Editing a PDF can be done with software like Adobe Acrobat, which allows direct editing of text, images, and other elements within the PDF. Some free tools, like PDFescape or Smallpdf, also offer basic editing capabilities. **How do I convert a Cmos Technology Logic Data Text PDF to another file format?** There are multiple ways to convert a PDF to another format: Use online converters like Smallpdf, Zamzar, or Adobe Acrobats export feature to convert PDFs to formats like Word, Excel, JPEG, etc. Software like Adobe Acrobat, Microsoft Word, or other PDF editors may have options to export or save PDFs in different formats. **How do I password-protect a Cmos Technology Logic Data Text PDF?** Most PDF editing software allows you to add password protection. In Adobe Acrobat, for instance, you can go to "File" -> "Properties" -> "Security" to set a password to restrict access or editing capabilities. Are there any free alternatives to Adobe Acrobat for working with PDFs? Yes, there are many free alternatives for working with PDFs, such as: LibreOffice: Offers PDF editing features. PDFsam: Allows splitting, merging, and editing PDFs. Foxit Reader: Provides basic PDF viewing and editing capabilities. How do I compress a PDF file? You can use online tools like Smallpdf, ILovePDF, or desktop software like Adobe Acrobat to compress PDF files without significant quality loss. Compression

reduces the file size, making it easier to share and download. Can I fill out forms in a PDF file? Yes, most PDF viewers/editors like Adobe Acrobat, Preview (on Mac), or various online tools allow you to fill out forms in PDF files by selecting text fields and entering information. Are there any restrictions when working with PDFs? Some PDFs might have restrictions set by their creator, such as password protection, editing restrictions, or print restrictions. Breaking these restrictions might require specific software or tools, which may or may not be legal depending on the circumstances and local laws.

Find Cmos Technology Logic Data Text :

examples America 82-2921 side hustles examples for creators 82-725 side

healthy recipes for beginners for small business 82-463 healthy recipes

82-2136 career growth explained USA 82-1167 career growth explained USA

tips comparison for creators 82-2717 interview tips explained United

82-2320 fitness routines best practices for entrepreneurs 82-2839

cybersecurity tutorial USA 82-2793 cybersecurity tutorial for

82-2513 TikTok marketing ideas for entrepreneurs 82-1597 TikTok

creators 82-1845 SEO strategy blueprint for entrepreneurs 82-1910 SEO

market software for small business 82-1173 stock market software for

growth step by step for creators 82-2327 YouTube growth step by step for

States 82-1493 productivity hacks examples United States 82-434

budget travel roadmap for startups 82-1315 budget travel software for

82-2754 retirement planning strategies for creators 82-2473 retirement

United States 82-2891 luxury travel roadmap for small business 82-2407

America 82-1729 data science careers explained United States 82-2947

Cmos Technology Logic Data Text :

scr spr words teaching resources teachers pay teachers tpt - Jul 02 2022

web spr words str words scr multisyllabic words spl words st words str word cards the words scr blends cl words squ words

scr worksheet scr blend consonant blends shr

the str spr scr sounds songs videos games activities - Jun 01 2022

web by nfilonovich 1r 3 letter blends str scr spr find the match by reneegiglia 2 5 sort str scr spl spr group sort by

tutoringwithjamie sort 38 triple r blends scr str
[str spr blends teaching resources wordwall](#) - Apr 11 2023

web triple consonant blends str scr spl random wheel by kpauline sort 38 triple r blends scr str spr group sort by lesnichaya1
triple r blends scr str spr anagram by
spr board game teacher made twinkl - Feb 09 2023

web spelling scr squ str and thr words wordsearch by axn1413 wilson 2 5 find words with 3 letter blends spr spl str scr
whack a mole by kmorgan2 wilson spanish words
spelling scr str and spr words by laura manning prezi - Mar 30 2022

web 2997 results for str spr skr str spr skr skw spl 3 consonant blend words random wheel by mdarst g1 g2 g3 g4 g5
articulation reading speech language

scr blends teaching resources wordwall - Nov 06 2022

web the str spr scr sounds videos and songs to help first grade kids learn how to pronounce the 3 letter consonant blends str
spr scr str shr spl thr learn words

triple r blends games scr str spr within word - Dec 07 2022

web over 90 different scr spr and str patterns help children organize and classify words so that relationships among words
can be seen over 90 different words that contain scr
[spr and str teaching resources wordwall](#) - Nov 25 2021

scr str teaching resources wordwall - Jan 08 2023

web this is is a word sort center for words with triple consonant blends the words in this center are scr spl str spr and some
oddball words there are 5 bags of

spr scr spl str teaching resources wordwall - May 12 2023

web sort 38 triple r blends scr str spr group sort by lesnichaya1 triple r blends scr str spr anagram by dtrikoulis 3 letter
blends str spr scr gameshow quiz by scrater6

spr teaching resources wordwall - Apr 30 2022

web triple r blends scr spr str flip tiles by juliemansius scr spr str shr picture sort categorize by lfriverside 2 5 sort str scr spl
spr group sort by tutoringwithjamie

scr str spr teaching resources wordwall - Aug 15 2023

web creator stacey bernal visibility public category articulation phonology material type game board target ages early
childhood primary intermediate tags str spr scr

str spr scr matching game teaching resources wordwall - Dec 27 2021

spr str teaching resources wordwall - Oct 05 2022

web 3 4 spr anagrams scr spl spr str spr str open the box spr blend scr spr spl str blends trigraph blends scr spr str spr complexity approach community spr

scr words teaching resources wordwall - Sep 04 2022

web dec 11 2011 stripe struck strict strap they begin with an str blend can you think of other words with this pattern string street strong how are these three words the same

scr spr str worksheets teaching resources teachers pay - Aug 03 2022

web these scr str spr triple r blends games for beginning and ending complex consonants make word study more engaging for our students in the within word

consonant blends scr spl spr str word list and - Jun 13 2023

web 10000 results for scr and spr words scr spl spr str categorize by bvelasquez4892 g1 scr spr spl str blends group sort by nancy139 trigraph blends scr spr str flip tiles

18 top scr words teaching resources curated for you - Jan 28 2022

scr words teaching resources tpt - Feb 26 2022

str spr scr blends game lessonpix - Jul 14 2023

web 3189 results for spr scr spl str scr spl spr str categorize by bvelasquez4892 g1 scr spr spl str blends group sort by nancy139 spr scr str spl thr random wheel by

scr and spr words teaching resources wordwall - Mar 10 2023

web 2987 results for spr str scr spl spr str categorize by bvelasquez4892 g1 spr str open the box open the box by lkwdenison phonics trigraph blends scr spr str flip tiles by

str spr skr teaching resources wordwall - Oct 25 2021

casti guide section ii div 1 asme 2022 sam arabtravelers - Jan 29 2022

web casti guidebook to asme section viii div 1 pressure vessels the practical guide to asme section b31 3 casti guidebook to asme section ix rules of play an introduction national politics in the new republic applied strength of materials si units version transforming the future open access casti handbook of stainless steels nickel

casti guidebook series by michael hook goodreads - May 13 2023

web casti guidebook to asme section viii division 1 pressure vessels by will j carter 3 92 13 ratings published 2000 3 editions with over 35 practical example problems and soluti want to read rate it book 05 plant project engineering guidebook for mechanical and civil engineers by morley selver 2 00 1 ratings 1 edition

casti guidebook to asme section viii □□□□ □□□□□ - Nov 07 2022

web casti guidebook to asme section viii div 1 pressure vessels third edition table of contents 1 introduction history of boiler and pressure vessel codes in the united states 1 2 scope u 1 scope 9 application of section viii division 1 13 u 2 code user responsibilities 14 u 3 other standards 14 3 design considerations materials 15

casti guide section ii div 1 asme mail digitaleconomy gov kh - Feb 27 2022

web casti guidebook to asme b31 3 glynn e woods 2000 this guidebook offers insight into the technologies associated with asme code design fabrication materials testing and examination of process piping this book explains specific codes and interpretations and is designed to help in design or installation of process piping

casti guidebook to asme section viii div 1 open library - Jan 09 2023

web casti guidebook to asme section viii div 1 pressure vessels 3rd edition march 2002 casti pub paperback 3rd edition 1894038622 9781894038621 aaaa

casti guidebook to asme section viii division 1 amazon com - Aug 04 2022

web jul 11 2000 with over 35 practical example problems and solutions and over 30 asme code interpretations referenced and explained this book goes beyond what engineers need to know about codes for designing manufacturing and installing mechanical devices coverage of both 1998 asme section vii div 1 and 1999 addenda to the asme code

pdf casti guide section ii div 1 asme download free - Sep 05 2022

web aug 23 2023 practice of materials and corrosion developments in pressure equipment casti guidebook to asme section viii div 1 pressure vessels aec research and development report piping and pipeline engineering textbook of seismic design asme boiler and pressure vessel code 2001 sec viii div 1 title list of documents made

casti guide section ii div 1 asme help environment harvard edu - Apr 12 2023

web this one merely said the casti guide section ii div 1 asme is universally compatible in imitation of any devices to read mechanical fatigue of metals josé a f o correia 2019 05 07 this volume contains the proceedings of the xix international colloquium on mechanical fatigue of metals held at the faculty of engineering of the university of

casti guide section ii div 1 asme secure4 khronos - Dec 28 2021

web jun 21 2023 solely expressed the casti guide section ii div 1 asme is globally harmonious with any devices to download understanding the amplification ways to acquire this ebook casti

casti guide section ii div 1 asme sibole online - Mar 11 2023

web casti guide section ii div 1 asme file name casti guide section ii div 1 asme pdf size 6508 kb type pdf epub ebook category book uploaded 2023 aug 04 05 33 rating 4 6 5 from 708 votes status available last checked 45 minutes ago in order to read or download casti guide section ii div 1 asme ebook you need to create a

casti guidebook to asme section viii net framework - Oct 06 2022

web volume 1 casti guidebook to asme section ii b31 1 b31 3 materials index volume 2 casti guidebook to asme section ix welding qualifications volume 3 casti guidebook to asme b31 3 process piping volume 4 casti guidebook to asme section viii div 1 pressure vessels

asme sec viii div i guide book table of contents subject - Feb 10 2023

web the scope of asme section viii division 1 is presented on page 1 of the division in article u 1 any pressure retaining vessel whether the pressure is internal or external to the container can be designed to meet the requirements of the division

casti guidebooks asme section ii asme section ix asme section - Aug 16 2023

web asme boiler pressure vessels astm book of standards national board nbic nb 23 drawing and drafting power process piping asme astm csa nace iso and others these casti guides are created by an instructor staff that includes members of several codes and standards committees as well as globally recognized professional

casti guidebook asme section ii wes ir - Jun 14 2023

web tables 2a ferrous and 2b non ferrous contain design stress intensity values based on the criteria used for section iii class 1 and section viii division 2 chapter 3 organization and the use of section ii part d33 casti guidebook to asme section ii 2000 materials index

asme section viii division 1 pressure vessels casti guidebook - Dec 08 2022

web mr brown was an author for asme section viii division 2 example problems manual asme ptb 3 2010 and asme section viii division 2 criteria and commentary asme ptb 1 2009 mr brown is currently member of asme subgroup design analysis committee and subgroup elevated temperature construction bpv iii

casti guide section ii div 1 asme pdf arenaserver - Jun 02 2022

web casti guide section ii div casti guidebook to asme section v zorgpremie besparen nl guide to asme b31 3 linkedin slideshare casti guidebook to asme section viii div 1 pressure casti guide to asme section ix pdf free download casti guidebook to asme section viii casti casti guidebook asme section ii wes

casti asme section viii div 1 code design requirements - May 01 2022

web engineers guide to pressure equipment casti pub this is a guide to computer readable databases available online in cd rom format or in other magnetic formats details include database descriptions costs and whom to contact for purchase casti

asme section viii div 1 code design requirements 3 3 and components basic design applications

casti guide section ii div 1 asme rc spectrallabs - Mar 31 2022

web you could purchase guide casti guide section ii div 1 asme or acquire it as soon as feasible casti guide section ii div 1

asmethe link will do its stuff how you will acquire the casti guide section ii div 1 asme

casti guide section ii div 1 asme 2023 - Jul 15 2023

web casti guide section ii div 1 asme pdf casti guide section ii div 1 asme 2 downloaded from analytics test makestories io on
by guest corrosion jung chul thomas eun 2020 09 04 this handbook is an in depth guide to the practical aspects of materials
and corrosion engineering in the energy and chemical industries the book covers

casti guide section ii div 1 asme htaccess guide - Jul 03 2022

web mar 18 2023 casti guide section ii div 1 asme is easy to get to in our digital library an online admission to it is set as
public for that reason you can download it instantly our

simulation modeling and analysis averill m law w david - Sep 03 2022

web may 5 2022 simulation modeling and analysis by averill m law 2000 mcgraw hill edition in english 3rd ed

simulation modeling and analysis averill m law google books - May 11 2023

web averill m law ph d mcgraw hill 2015 804 pages overview since the publication of the first edition in 1982 the goal of
simulation modeling and analysis has always been to

simulation book averill law associates - Apr 10 2023

web jan 24 2014 since the publication of the first edition in 1982 the goal of simulation modeling and analysis has always
been to provide a comprehensive state of the art

simulation modeling and analysis averill law google books - Mar 09 2023

web averill m law w david kelton mcgraw hill 2000 digital computer simulation 760 pages this thoroughly up to date guide
addresses all aspects of a simulation study

download simulation modeling and analysis third edition - Nov 24 2021

web law averill m simulation modeling and analysis averill m law w david kelton 2nd ed p em mcgraw hill series in industrial
engineering and management science

simulation modeling and analysis averill m law google books - Nov 05 2022

web statistics seminars gain a working knowledge of confidence intervals hypothesis tests regression analysis and more learn
more simulation modeling analysis the

simulation modeling and analysis mcgraw hill - Aug 14 2023

web jan 22 2014 simulation modeling and analysis provides a comprehensive state of the art and technically correct

treatment of all important aspects of a simulation study the
[simulation modeling and analysis 5 e mcgraw hill education](#) - Jun 12 2023

web jan 22 2014 simulation modeling and analysis averill m law mcgraw hill education jan 22 2014 technology engineering
800 pages simulation modeling
[second edition simulation modeling analysis](#) - Oct 24 2021

simulation modeling and analysis law averill m - Feb 25 2022

web over 5 billion simulation modeling and analysis 5th edition is written by averill law and published by mcgraw hill higher
education the digital and etextbook isbn for

[pdf simulation modeling and analysis semantic scholar](#) - Jul 01 2022

web simulation modeling and analysis averill m law w david kelton mcgraw hill 1991 digital computer simulation 759 pages

modeling and simulation discrete event simulation averill law - Oct 04 2022

web 5 slam ii and related software comparison of simulation languages additional simulation software review of basic
probability and statistics random variables and

simulation modeling and analysis averill m law google books - Dec 06 2022

web since the publication of the first edition in 1982 the goal of simulation modeling and analysis has always been to provide
a comprehensive state of the art and technically

[simulation modeling and analysis by averill m law open library](#) - Mar 29 2022

web jan 1 1991 it covers the background required for anyone to work on simulation and modeling its chapters about random
number generators selecting right probability

[simulation modeling and analysis law averill m](#) - Jul 13 2023

web simulation modeling and analysis 5 e averill m law isbn 0073401323 copyright year 2015 simulation modeling and
analysis provides a comprehensive state of the

simulation modeling and analysis by averill m law open library - Aug 02 2022

web this paper discusses how simulation is used to design and analyze manufacturing or warehousing systems and discusses
techniques for building valid and credible models

simulation modeling and analysis 5th edition vitalsource - Jan 27 2022

web simulation modeling and analysis law averill m published by mcgraw hill tx 2001 isbn 10 0071008039 isbn 13
9780071008037 used paperback quantity 1 seller

simulation modeling and analysis law averill m abebooks - Dec 26 2021

web download simulation modeling and analysis third edition averill m law w david kelton mcgrawhill pdf this document was uploaded by user and they confirmed that

simulation modeling and analysis mcgraw hill series in industrial - Apr 29 2022

web jan 14 2023 simulation modeling and analysis 2nd ed by averill m law 2 00 1 rating 17 want to read 1 currently reading 1 have read this edition doesn t have a

simulation modeling and analysis averill m law w david - Feb 08 2023

web jan 22 2014 simulation modeling and analysis mcgraw hill series in industrial engineering and management law averill 9780073401324 amazon com books

simulation modeling and analysis mcgraw hill series in - Jan 07 2023

web simulation modeling and analysis averill m law mcgraw hill education 2015 digital computer simulation 816 pages this text provides a comprehensive and state of the

simulation modeling and analysis averill m law w david - May 31 2022

web abebooks com simulation modeling and analysis mcgraw hill series in industrial engineering and management 9780073401324 by law averill and a great selection