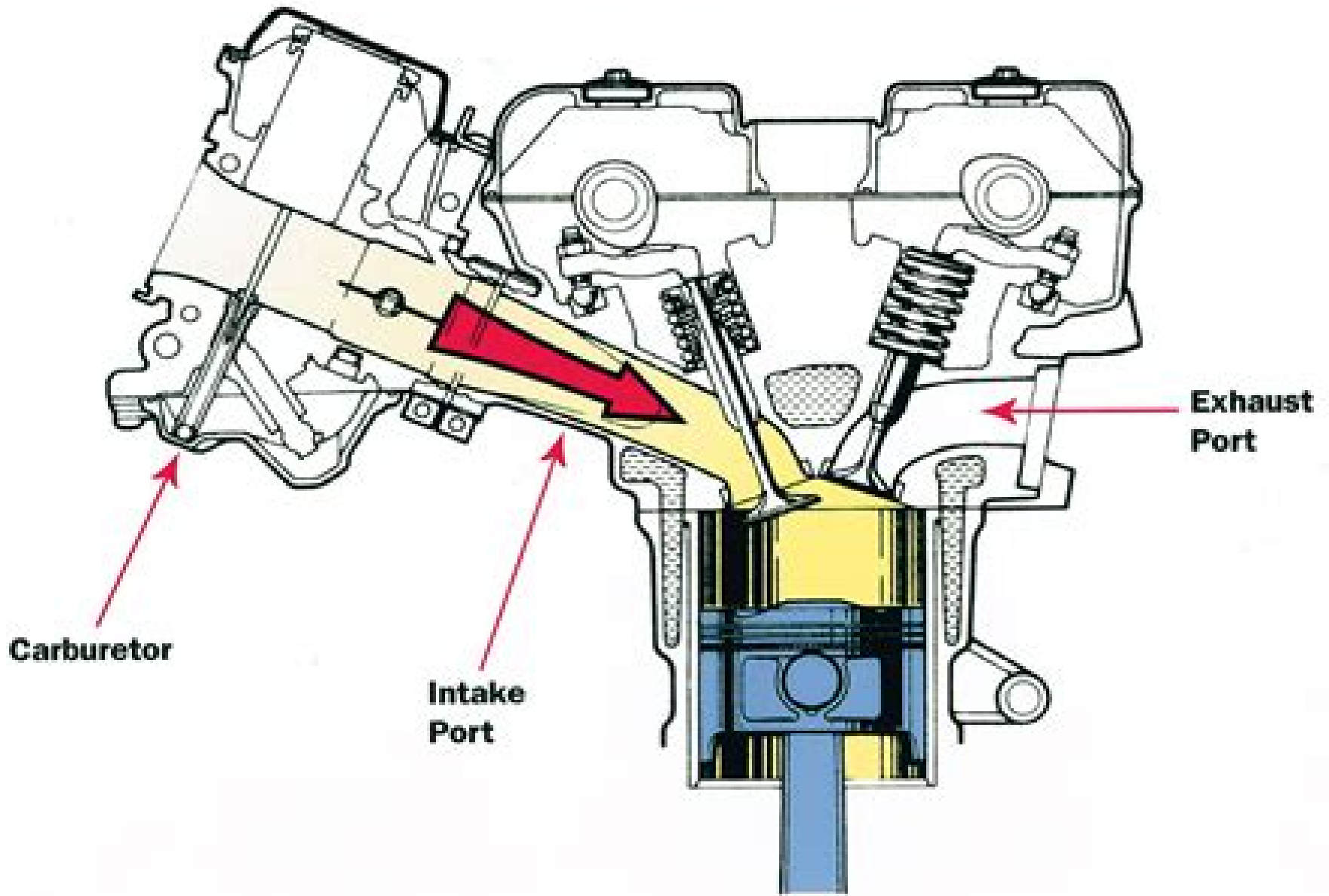


4-Stroke Engines



How Motorcycle Engine Works

D Kirk



How Motorcycle Engine Works:

Embracing the Song of Phrase: An Mental Symphony within **How Motorcycle Engine Works**

In some sort of taken by screens and the ceaseless chatter of instant transmission, the melodic elegance and emotional symphony produced by the prepared word usually diminish into the background, eclipsed by the constant noise and disruptions that permeate our lives. However, set within the pages of **How Motorcycle Engine Works** an enchanting literary prize brimming with raw thoughts, lies an immersive symphony waiting to be embraced. Crafted by an outstanding musician of language, this fascinating masterpiece conducts viewers on a mental journey, skillfully unraveling the hidden melodies and profound influence resonating within each carefully constructed phrase. Within the depths of this poignant examination, we shall discover the book is main harmonies, analyze their enthralling writing style, and submit ourselves to the profound resonance that echoes in the depths of readers souls.

https://py.bijouxmedusa.com/results/Resources/default.aspx/stack_overview_xilinx.pdf

Table of Contents How Motorcycle Engine Works

1. Understanding the eBook How Motorcycle Engine Works
 - The Rise of Digital Reading How Motorcycle Engine Works
 - Advantages of eBooks Over Traditional Books
2. Identifying How Motorcycle Engine Works
 - Exploring Different Genres
 - Considering Fiction vs. Non-Fiction
 - Determining Your Reading Goals
3. Choosing the Right eBook Platform
 - Popular eBook Platforms
 - Features to Look for in an How Motorcycle Engine Works
 - User-Friendly Interface
4. Exploring eBook Recommendations from How Motorcycle Engine Works
 - Personalized Recommendations

- How Motorcycle Engine Works User Reviews and Ratings
- How Motorcycle Engine Works and Bestseller Lists
- 5. Accessing How Motorcycle Engine Works Free and Paid eBooks
 - How Motorcycle Engine Works Public Domain eBooks
 - How Motorcycle Engine Works eBook Subscription Services
 - How Motorcycle Engine Works Budget-Friendly Options
- 6. Navigating How Motorcycle Engine Works eBook Formats
 - ePub, PDF, MOBI, and More
 - How Motorcycle Engine Works Compatibility with Devices
 - How Motorcycle Engine Works Enhanced eBook Features
- 7. Enhancing Your Reading Experience
 - Adjustable Fonts and Text Sizes of How Motorcycle Engine Works
 - Highlighting and Note-Taking How Motorcycle Engine Works
 - Interactive Elements How Motorcycle Engine Works
- 8. Staying Engaged with How Motorcycle Engine Works
 - Joining Online Reading Communities
 - Participating in Virtual Book Clubs
 - Following Authors and Publishers How Motorcycle Engine Works
- 9. Balancing eBooks and Physical Books How Motorcycle Engine Works
 - Benefits of a Digital Library
 - Creating a Diverse Reading Collection How Motorcycle Engine Works
- 10. Overcoming Reading Challenges
 - Dealing with Digital Eye Strain
 - Minimizing Distractions
 - Managing Screen Time
- 11. Cultivating a Reading Routine How Motorcycle Engine Works
 - Setting Reading Goals How Motorcycle Engine Works
 - Carving Out Dedicated Reading Time
- 12. Sourcing Reliable Information of How Motorcycle Engine Works
 - Fact-Checking eBook Content of How Motorcycle Engine Works

- Distinguishing Credible Sources
- 13. Promoting Lifelong Learning
 - Utilizing eBooks for Skill Development
 - Exploring Educational eBooks
- 14. Embracing eBook Trends
 - Integration of Multimedia Elements
 - Interactive and Gamified eBooks

How Motorcycle Engine Works Introduction

In today's digital age, the availability of How Motorcycle Engine Works books and manuals for download has revolutionized the way we access information. Gone are the days of physically flipping through pages and carrying heavy textbooks or manuals. With just a few clicks, we can now access a wealth of knowledge from the comfort of our own homes or on the go. This article will explore the advantages of How Motorcycle Engine Works books and manuals for download, along with some popular platforms that offer these resources. One of the significant advantages of How Motorcycle Engine Works books and manuals for download is the cost-saving aspect. Traditional books and manuals can be costly, especially if you need to purchase several of them for educational or professional purposes. By accessing How Motorcycle Engine Works versions, you eliminate the need to spend money on physical copies. This not only saves you money but also reduces the environmental impact associated with book production and transportation. Furthermore, How Motorcycle Engine Works books and manuals for download are incredibly convenient. With just a computer or smartphone and an internet connection, you can access a vast library of resources on any subject imaginable. Whether you're a student looking for textbooks, a professional seeking industry-specific manuals, or someone interested in self-improvement, these digital resources provide an efficient and accessible means of acquiring knowledge. Moreover, PDF books and manuals offer a range of benefits compared to other digital formats. PDF files are designed to retain their formatting regardless of the device used to open them. This ensures that the content appears exactly as intended by the author, with no loss of formatting or missing graphics. Additionally, PDF files can be easily annotated, bookmarked, and searched for specific terms, making them highly practical for studying or referencing. When it comes to accessing How Motorcycle Engine Works books and manuals, several platforms offer an extensive collection of resources. One such platform is Project Gutenberg, a nonprofit organization that provides over 60,000 free eBooks. These books are primarily in the public domain, meaning they can be freely distributed and downloaded. Project Gutenberg offers a wide range of classic literature, making it an excellent resource for literature enthusiasts. Another popular platform for How Motorcycle Engine Works books and manuals is Open Library. Open Library is an initiative of the

Internet Archive, a non-profit organization dedicated to digitizing cultural artifacts and making them accessible to the public. Open Library hosts millions of books, including both public domain works and contemporary titles. It also allows users to borrow digital copies of certain books for a limited period, similar to a library lending system. Additionally, many universities and educational institutions have their own digital libraries that provide free access to PDF books and manuals. These libraries often offer academic texts, research papers, and technical manuals, making them invaluable resources for students and researchers. Some notable examples include MIT OpenCourseWare, which offers free access to course materials from the Massachusetts Institute of Technology, and the Digital Public Library of America, which provides a vast collection of digitized books and historical documents. In conclusion, How Motorcycle Engine Works books and manuals for download have transformed the way we access information. They provide a cost-effective and convenient means of acquiring knowledge, offering the ability to access a vast library of resources at our fingertips. With platforms like Project Gutenberg, Open Library, and various digital libraries offered by educational institutions, we have access to an ever-expanding collection of books and manuals. Whether for educational, professional, or personal purposes, these digital resources serve as valuable tools for continuous learning and self-improvement. So why not take advantage of the vast world of How Motorcycle Engine Works books and manuals for download and embark on your journey of knowledge?

FAQs About How Motorcycle Engine Works Books

How do I know which eBook platform is the best for me? Finding the best eBook platform depends on your reading preferences and device compatibility. Research different platforms, read user reviews, and explore their features before making a choice. Are free eBooks of good quality? Yes, many reputable platforms offer high-quality free eBooks, including classics and public domain works. However, make sure to verify the source to ensure the eBook credibility. Can I read eBooks without an eReader? Absolutely! Most eBook platforms offer web-based readers or mobile apps that allow you to read eBooks on your computer, tablet, or smartphone. How do I avoid digital eye strain while reading eBooks? To prevent digital eye strain, take regular breaks, adjust the font size and background color, and ensure proper lighting while reading eBooks. What the advantage of interactive eBooks? Interactive eBooks incorporate multimedia elements, quizzes, and activities, enhancing the reader engagement and providing a more immersive learning experience. How Motorcycle Engine Works is one of the best book in our library for free trial. We provide copy of How Motorcycle Engine Works in digital format, so the resources that you find are reliable. There are also many Ebooks of related with How Motorcycle Engine Works. Where to download How Motorcycle Engine Works online for free? Are you looking for How Motorcycle Engine Works PDF? This is definitely going to save you time and cash in something you should think about.

Find How Motorcycle Engine Works :

stack overview xilinx

staying found the complete map and compass handbook

study guide for engineering science n1

style on a shoestring develop your cents of style and look like a million without spending a fortune

sql hacks

supa strikas comics

summary the starfish and the spider ori brafman and rod beckstrom the unstoppable power of leaderless organizations

standing room only marketing insights for engaging performing arts audiences

storia dei greci indro montanelli

structural analysis by ghali neville and brown

stick and rudder an explanation of the art of flying by wolfgang langewiesche

structured computer organization tanenbaum 6th edition

summary of lumen gentium dogmatic constitution of the church

structures 7th edition by daniel schodek

swim to recovery canine hydrotherapy healing gentle dog care series

How Motorcycle Engine Works :

Lakeside Company: Case Studies in Auditing The cases in The Lakeside Company are intended to create a realistic view of how an auditor organizes and conducts an audit examination. Lakeside Company: Case Studies in Auditing Lakeside Company: Case Studies in Auditing, 12th edition. Published by Pearson ... tools. View Vendor Details. Behavior analysis. Behavior analysis. We track ... Solutions 12e FINAL - The Lakeside Company: Auditing ... The Lakeside Company: Auditing Cases SOLUTIONS MANUAL 12e Table of Contents John M. Trussel and J. Douglas Frazer A Note on Ethics, Fraud and SOX Questions ... The Lakeside Company: Case Studies In Auditing ... Access The Lakeside Company: Case Studies in Auditing, Pearson New International Edition 12th Edition Chapter 7 Problem 5DQ solution now. Lakeside Company Case Studies in Auditing 2 CASE 1. SUGGESTED ANSWERS TO DISCUSSION QUESTIONS. (1). Financial statements are frequently relied on by outside parties such as stockholders and banks when ... Lakeside Company 12th Edition Trussel Solution Manual Auditing Cases. SOLUTIONS MANUAL 12e. Table of Contents. John M. Trussel and J. Douglas Frazer. A Note on Ethics, Fraud and SOX Questions 2 ... The Lakeside Company: Case Studies In Auditing ... Access The Lakeside Company: Case Studies in

Auditing, Pearson New International Edition 12th Edition Chapter 4 solutions now. Our solutions are written by ... Lakeside Company Case Studies in Auditing 12th Edition ... Sep 13, 2019 — Lakeside Company Case Studies in Auditing 12th Edition Trussel Solutions Manual Full Download: ... The Lakeside Company: Auditing Cases ANALYSIS OF A ... Does a CPA firm face an independence problem in auditing the output of systems that the same firm designed and installed? Does your answer depend on if the ... Lakeside Company: Case Studies in Auditing Lakeside Company: Case Studies in Auditing, 12th edition. Published by Pearson (November 21, 2011) © 2012. John Trussel; J Douglas Frazer. eTextbook. \$59.99. Soluzioni Esercizi Libri Black Cat SOLUZIONI ESERCIZI LIBRI BLACK CAT BOOK TESTIMONIAL. Invite to Soluzioni Esercizi Libri Black Cat review section! As serious readers ourselves, we know. Black Cat Soluzioni Libri Libri Di Grammatica Inglese Con Esercizi E Soluzioni · Frankenstein Black Cat Soluzioni · Black Cat Soluzioni Esercizi · Beowulf Black Cat Soluzioni Esercizi ... Soluzioni esercizi Black Cat "Robinson Crusoe" Scarica Soluzioni esercizi Black Cat "Robinson Crusoe" e più Esercizi in PDF di Inglese solo su Docsity! Daniel Defoe and his World Page 10 — activity 1 1C ... Beowulf Black Cat Soluzioni Pdf - Fill Online, Printable ... Get, Create, Make and Sign soluzioni esercizi beowulf black cat · How to edit beowulf black cat soluzioni pdf online · Comments and Help with beowulf soluzioni ... black - cat Sotto le copertine dei libri trovi le statistiche generali relative a quello specifico titolo, calcolate sulla media dei risultati di tutti esercizi svolti ... Beowulf black cat soluzioni: Fill out & sign online Edit, sign, and share beowulf black cat soluzioni pdf online. No need to install software, just go to DocHub, and sign up instantly and for free. Black Cat Soluzioni Esercizi Black Cat Esercizi Con Soluzioni PDF · Beowulf Black Cat Soluzioni Esercizi · The Canterbury Tales Black Cat Soluzioni Esercizi · Frankenstein Black Cat Soluzioni ... Soluzioni esercizi Black Cat "Frankenstein" Scarica Soluzioni esercizi Black Cat "Frankenstein" e più Esercizi in PDF di Inglese solo su Docsity! The Life of Mary Shelley Page 6 — Activities1&2 Open ... Risorse gratuite | Black Cat Risorse gratuite · Lesson Plans · Attività di Reading and Listening · Pillole Video con suggerimenti su come usare le letture graduate. Read Unlimited Books Online Active Reader Second Edition ... Read Unlimited Books Online. Active Reader Second. Edition Henderson Pdf Book. Pdf. INTRODUCTION Read Unlimited Books. Online Active Reader Second Edition. Becoming an Active Reader A Complete Resource for ... Becoming an Active Reader A Complete Resource for Reading and Writing, Second Edition [Eric Henderson] on Amazon.com. *FREE* shipping on qualifying offers. The Active Reader: Strategies for Academic Reading and ... The Active Reader offers a practical, integrated treatment of academic reading and writing at the post-secondary level. Thirty-two thought-provoking ... A Complete Resource for Reading and Writing 2nd edition ... Becoming an Active Reader: A Complete Resource for Reading and Writing 2nd Edition is written by Eric Henderson and published by Oxford University Press Canada. The Active Reader: Strategies for... book by Eric Henderson Now in a second edition, The Active Reader offers a practical, integrated treatment of academic reading and writing at the post-secondary level. N. E. HENDERSON — Home The official website of author N. E. Henderson. Discover the next romance book you're going to fall in love with, order signed

paperbacks, locate her next ... The Active Reader: Strategies for Academic Reading and ... The Active Reader is designed to provide students with a practical, integrated approach to reading and writing at the university level. The book is divided ... yawp_v2_open_pdf.pdf The American Yawp is a collabora- tively built, open American history textbook designed for general readers ... expected women to assume various functions to free ... BibMe: Free Bibliography & Citation Maker - MLA, APA ... BibMe — The Online Writing Center. powered by Chegg. Create citations. Start a new citation or manage your existing bibliographies. Kidnapped By My Mate Pdf , Fantasy books Read 500+ free fantasy stories now!., Read the novel Kidnapped by my mate all chapters for free., The Lycan's Rejected ...