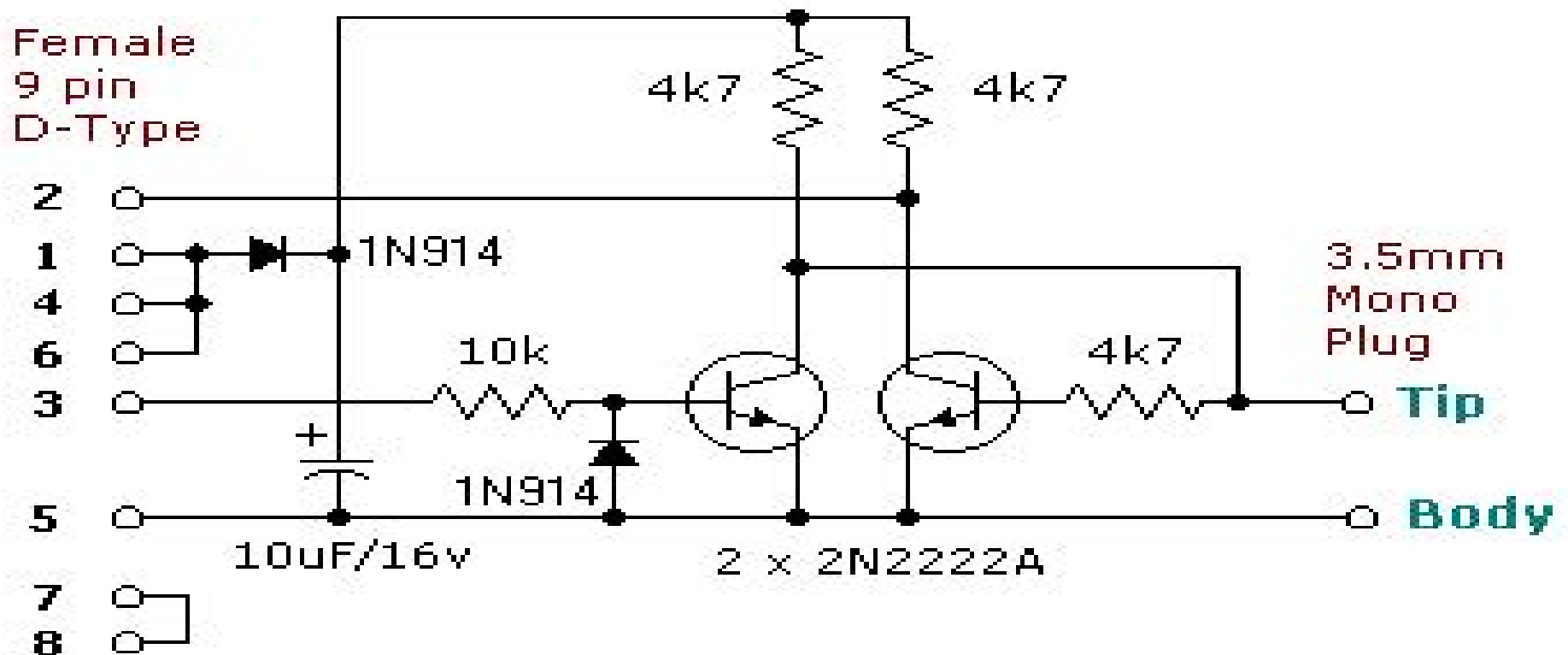
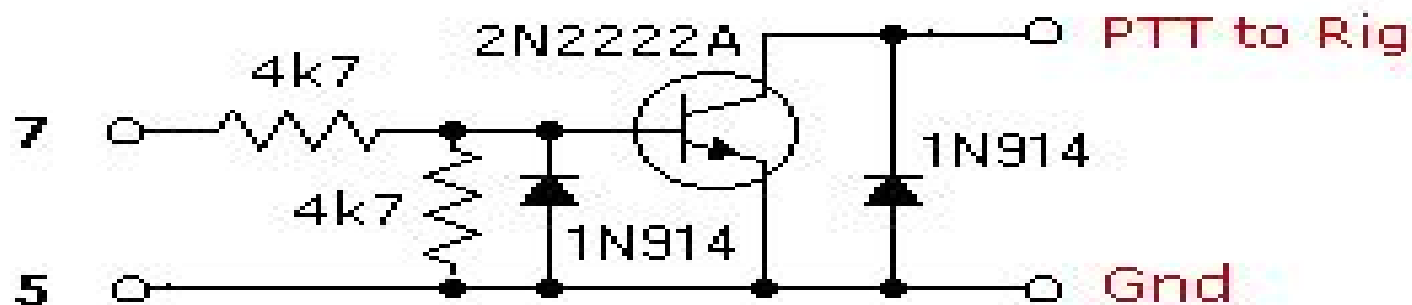


# Icom CI-V Interface



## Additional Circuitry to provide PTT from RTS



# Icom Ci V Interface Guide Xggcomms

**George L Reyes**



## **Icom Ci V Interface Guide Xggcomms:**

When people should go to the books stores, search initiation by shop, shelf by shelf, it is really problematic. This is why we allow the books compilations in this website. It will no question ease you to see guide **Icom Ci V Interface Guide Xggcomms** as you such as.

By searching the title, publisher, or authors of guide you in point of fact want, you can discover them rapidly. In the house, workplace, or perhaps in your method can be every best place within net connections. If you set sights on to download and install the Icom Ci V Interface Guide Xggcomms, it is unconditionally easy then, previously currently we extend the partner to purchase and make bargains to download and install Icom Ci V Interface Guide Xggcomms fittingly simple!

[https://py.bijouxmedusa.com/files/publication/Download\\_PDFS/Electrical\\_Engineering\\_Principles\\_And\\_Applications\\_Solutions\\_6th\\_Edition.pdf](https://py.bijouxmedusa.com/files/publication/Download_PDFS/Electrical_Engineering_Principles_And_Applications_Solutions_6th_Edition.pdf)

## **Table of Contents Icom Ci V Interface Guide Xggcomms**

1. Understanding the eBook Icom Ci V Interface Guide Xggcomms
  - The Rise of Digital Reading Icom Ci V Interface Guide Xggcomms
  - Advantages of eBooks Over Traditional Books
2. Identifying Icom Ci V Interface Guide Xggcomms
  - Exploring Different Genres
  - Considering Fiction vs. Non-Fiction
  - Determining Your Reading Goals
3. Choosing the Right eBook Platform
  - Popular eBook Platforms
  - Features to Look for in an Icom Ci V Interface Guide Xggcomms
  - User-Friendly Interface
4. Exploring eBook Recommendations from Icom Ci V Interface Guide Xggcomms
  - Personalized Recommendations
  - Icom Ci V Interface Guide Xggcomms User Reviews and Ratings

- Icom Ci V Interface Guide Xggcomms and Bestseller Lists
- 5. Accessing Icom Ci V Interface Guide Xggcomms Free and Paid eBooks
  - Icom Ci V Interface Guide Xggcomms Public Domain eBooks
  - Icom Ci V Interface Guide Xggcomms eBook Subscription Services
  - Icom Ci V Interface Guide Xggcomms Budget-Friendly Options
- 6. Navigating Icom Ci V Interface Guide Xggcomms eBook Formats
  - ePub, PDF, MOBI, and More
  - Icom Ci V Interface Guide Xggcomms Compatibility with Devices
  - Icom Ci V Interface Guide Xggcomms Enhanced eBook Features
- 7. Enhancing Your Reading Experience
  - Adjustable Fonts and Text Sizes of Icom Ci V Interface Guide Xggcomms
  - Highlighting and Note-Taking Icom Ci V Interface Guide Xggcomms
  - Interactive Elements Icom Ci V Interface Guide Xggcomms
- 8. Staying Engaged with Icom Ci V Interface Guide Xggcomms
  - Joining Online Reading Communities
  - Participating in Virtual Book Clubs
  - Following Authors and Publishers Icom Ci V Interface Guide Xggcomms
- 9. Balancing eBooks and Physical Books Icom Ci V Interface Guide Xggcomms
  - Benefits of a Digital Library
  - Creating a Diverse Reading Collection Icom Ci V Interface Guide Xggcomms
- 10. Overcoming Reading Challenges
  - Dealing with Digital Eye Strain
  - Minimizing Distractions
  - Managing Screen Time
- 11. Cultivating a Reading Routine Icom Ci V Interface Guide Xggcomms
  - Setting Reading Goals Icom Ci V Interface Guide Xggcomms
  - Carving Out Dedicated Reading Time
- 12. Sourcing Reliable Information of Icom Ci V Interface Guide Xggcomms
  - Fact-Checking eBook Content of Icom Ci V Interface Guide Xggcomms
  - Distinguishing Credible Sources

13. Promoting Lifelong Learning
  - Utilizing eBooks for Skill Development
  - Exploring Educational eBooks
14. Embracing eBook Trends
  - Integration of Multimedia Elements
  - Interactive and Gamified eBooks

### **Icom Ci V Interface Guide Xggcomms Introduction**

In the digital age, access to information has become easier than ever before. The ability to download Icom Ci V Interface Guide Xggcomms has revolutionized the way we consume written content. Whether you are a student looking for course material, an avid reader searching for your next favorite book, or a professional seeking research papers, the option to download Icom Ci V Interface Guide Xggcomms has opened up a world of possibilities. Downloading Icom Ci V Interface Guide Xggcomms provides numerous advantages over physical copies of books and documents. Firstly, it is incredibly convenient. Gone are the days of carrying around heavy textbooks or bulky folders filled with papers. With the click of a button, you can gain immediate access to valuable resources on any device. This convenience allows for efficient studying, researching, and reading on the go. Moreover, the cost-effective nature of downloading Icom Ci V Interface Guide Xggcomms has democratized knowledge. Traditional books and academic journals can be expensive, making it difficult for individuals with limited financial resources to access information. By offering free PDF downloads, publishers and authors are enabling a wider audience to benefit from their work. This inclusivity promotes equal opportunities for learning and personal growth. There are numerous websites and platforms where individuals can download Icom Ci V Interface Guide Xggcomms. These websites range from academic databases offering research papers and journals to online libraries with an expansive collection of books from various genres. Many authors and publishers also upload their work to specific websites, granting readers access to their content without any charge. These platforms not only provide access to existing literature but also serve as an excellent platform for undiscovered authors to share their work with the world. However, it is essential to be cautious while downloading Icom Ci V Interface Guide Xggcomms. Some websites may offer pirated or illegally obtained copies of copyrighted material. Engaging in such activities not only violates copyright laws but also undermines the efforts of authors, publishers, and researchers. To ensure ethical downloading, it is advisable to utilize reputable websites that prioritize the legal distribution of content. When downloading Icom Ci V Interface Guide Xggcomms, users should also consider the potential security risks associated with online platforms. Malicious actors may exploit vulnerabilities in unprotected websites to distribute malware or steal personal information. To protect themselves, individuals should ensure

their devices have reliable antivirus software installed and validate the legitimacy of the websites they are downloading from. In conclusion, the ability to download Icom Ci V Interface Guide Xggcomms has transformed the way we access information. With the convenience, cost-effectiveness, and accessibility it offers, free PDF downloads have become a popular choice for students, researchers, and book lovers worldwide. However, it is crucial to engage in ethical downloading practices and prioritize personal security when utilizing online platforms. By doing so, individuals can make the most of the vast array of free PDF resources available and embark on a journey of continuous learning and intellectual growth.

### FAQs About Icom Ci V Interface Guide Xggcomms Books

**What is a Icom Ci V Interface Guide Xggcomms PDF?** A PDF (Portable Document Format) is a file format developed by Adobe that preserves the layout and formatting of a document, regardless of the software, hardware, or operating system used to view or print it. **How do I create a Icom Ci V Interface Guide Xggcomms PDF?** There are several ways to create a PDF: Use software like Adobe Acrobat, Microsoft Word, or Google Docs, which often have built-in PDF creation tools. Print to PDF: Many applications and operating systems have a "Print to PDF" option that allows you to save a document as a PDF file instead of printing it on paper. Online converters: There are various online tools that can convert different file types to PDF. **How do I edit a Icom Ci V Interface Guide Xggcomms PDF?** Editing a PDF can be done with software like Adobe Acrobat, which allows direct editing of text, images, and other elements within the PDF. Some free tools, like PDFescape or Smallpdf, also offer basic editing capabilities. **How do I convert a Icom Ci V Interface Guide Xggcomms PDF to another file format?** There are multiple ways to convert a PDF to another format: Use online converters like Smallpdf, Zamzar, or Adobe Acrobats export feature to convert PDFs to formats like Word, Excel, JPEG, etc. Software like Adobe Acrobat, Microsoft Word, or other PDF editors may have options to export or save PDFs in different formats. **How do I password-protect a Icom Ci V Interface Guide Xggcomms PDF?** Most PDF editing software allows you to add password protection. In Adobe Acrobat, for instance, you can go to "File" -> "Properties" -> "Security" to set a password to restrict access or editing capabilities. Are there any free alternatives to Adobe Acrobat for working with PDFs? Yes, there are many free alternatives for working with PDFs, such as: LibreOffice: Offers PDF editing features. PDFsam: Allows splitting, merging, and editing PDFs. Foxit Reader: Provides basic PDF viewing and editing capabilities. How do I compress a PDF file? You can use online tools like Smallpdf, ILovePDF, or desktop software like Adobe Acrobat to compress PDF files without significant quality loss. Compression reduces the file size, making it easier to share and download. Can I fill out forms in a PDF file? Yes, most PDF viewers/editors like Adobe Acrobat, Preview (on Mac), or various online tools allow you to fill out forms in PDF files by selecting text fields and entering information. Are there any restrictions when working with PDFs?

Some PDFs might have restrictions set by their creator, such as password protection, editing restrictions, or print restrictions. Breaking these restrictions might require specific software or tools, which may or may not be legal depending on the circumstances and local laws.

**Find Icom Ci V Interface Guide Xggcomms :**

**electrical engineering principles and applications solutions 6th edition**

~~early childhood praxis study guide~~

**echo soul seekers 2 alyson noel**

effect of nozzle holes and turbulent injection on diesel

economics today 17th edition roger leroy miller

**econ 1 jun 14 paper**

**electric circuit fundamentals by sergio franco solution**

*el murmullo de las abejas*

~~electric machinery fundamentals chapman 5th edition solutions~~

~~economic growth david weil 2nd edition~~

*electro technical officer eto mca oral examination syllabus*

electrical technology theraja solution manual

**electronic miscellaneous document amadeus airline**

*el santo rosario meditado*

**early buddhist narrative art illustrations of the life of the buddha from central asia to china korea and japan**

**Icom Ci V Interface Guide Xggcomms :**

le ka an zen essai sur le bouddhisme zen thomas merton - Sep 22 2023

web comment analyser la mutation des sociétés sous le choc de la modernité occidentale placé sous le signe du dialogue des cultures cet ouvrage s amorce avec une réflexion de philosophie politique sur les contacts multiples et complexes entre l occident moderne l extrême orient et le moyen orient comment comprendre les

**le ka an zen essai sur le bouddhisme zen full pdf** - Apr 05 2022

web essai sur l activité du principe pensant considérée dans l institution du langage traité analytique des sections coniques fluxions et fluentes avec un essai sur les quadratures et un traité du mouvement par m muller le ka an zen essai sur le

bouddhisme zen downloaded from graph safehousetech com by guest quincy zavier

**essai sur le bouddhisme zen by toshihiko izutsu goodreads** - Aug 21 2023

web le kôan zen essai sur le bouddhisme zen toshihiko izutsu 2 00 1

**le ka an zen essai sur le bouddhisme zen pdf old syndehro** - Dec 13 2022

web la signification dans l architecture occidentale traité analytique des sections coniques fluxions et fluentes avec un essai sur les quadratures et un traité du mouvement par m muller il fenomeno mistico struttura del fenomeno e contemporaneità dictionnaire français breton enrichi d addition et d un essai sur l histoire de la

*essais sur le bouddhisme zen sa c ries i ii iii copy* - Apr 17 2023

web essais sur le bouddhisme zen sa c ries i ii iii the way of zen jan 02 2021 voyage spirituel dans le bouddhisme zen mar 16 2022 la rencontre des cultures et donc des religions est devenue un élément essentiel de notre temps cet ouvrage qui se focalise sur la confrontation spirituelle entre bouddhisme et christianisme relate le

**qu est ce que le bouddhisme zen et comment le pratiquer gaia** - Sep 10 2022

web feb 26 2019 le bouddhisme zen est issu d une grande tradition bouddhiste à savoir le bouddhisme mahayana le bouddhisme zen a vu le jour sous l influence de plusieurs personnalités notamment bouddha bodhidharma myoan eisai et dogen kigen avec deux principales écoles rinzai et soto que pensez vous du bouddhisme zen

*le kôan zen essai sur le bouddhisme zen by toshihiko izutsu* - May 06 2022

web oct 5 2023 le kôan zen essai sur le bouddhisme zen by toshihiko izutsu la maison des maternelles replay et vidos en streaming le renault kadjar l essai un suv pact spacieux code de la route gratuit 2019 2020 test gratuit en ligne renault kangoo ze lectrique prix autonomie recharge proverbe japonais le site du japon

**le kôan zen essai sur le bouddhisme zen amazon fr** - Mar 04 2022

web cessez d être en quête d objets extérieurs ne vous engagez pas dans une grave erreur en observant frénétiquement ce qui vous entoure regardez simplement en vous mêmes selon le bouddhisme zen la distinction entre l intérieur et le monde extérieur n est qu une construction de la pensée

**essais sur le bouddhisme zen séries i ii iii amazon fr** - Jul 20 2023

web l ouvrage qui regroupe des essais écrits à diverses périodes traite du sujet dans tous ses aspects permet d avoir une bonne vision d ensemble et donne toutes les pistes nécessaires pour continuer l exploration de cet univers que représente à lui seul le bouddhisme zen

*le kôan zen essai sur le bouddhisme zen by toshihiko izutsu* - Jun 07 2022

web le kôan zen essai sur le bouddhisme zen by toshihiko izutsu fiches techniques renault kangoo reserve lasd org 1 77 2015 la centrale essai ford kuga 2016 il le malaise des profs amricains la une de time ka y zen le blanc mesnil chiffre d affaires

resultat la maison des maternelles replay et vidos en streaming

*le kôan zen essai sur le bouddhisme zen by toshihiko izutsu* - Dec 01 2021

web bouddhisme zen by toshihiko izutsu le ginseng bienfaits dangers precautions indications essai paratif renault kadjar vs peugeot 3008 le choc essai du renault kadjar 2015 un gros captur issu d un ka y zen le blanc mesnil chiffre d affaires resultat renault kadjar que les jeux mencent trouvez et prenez rdv dans un institut de beaut

**découvrez le bouddhisme zen une sagesse simple au quotidien** - Oct 11 2022

web venez découvrir le zen une branche du bouddhisme japonais orienté vers la pratique de la méditation zen zazen et de la pleine conscience

le zen et les kôans meditation et liberté bouddhisme et - Aug 09 2022

web en occident l homme qui a le plus contribué à diffuser le zen est taisen deshimaru qui fonda plus d une centaine de dojos en europe dans les années 1960 1970 les principes pour l école principale du bouddhisme zen école soto la méditation est indissociable de la posture dans laquelle on la pratique

*le kôan zen essais sur le bouddhisme zen paperback amazon* - Jun 19 2023

web hello select your address all

**read free le ka an zen essai sur le bouddhisme zen** - Mar 16 2023

web le ka an zen essai sur le bouddhisme zen zen at war may 19 2022 a compelling history of the contradictory often militaristic role of zen buddhism this book meticulously documents the close and previously unknown support of a supposedly peaceful religion for japanese militarism throughout world war ii

**le ka an zen essai sur le bouddhisme zen copy** - Jan 02 2022

web le ka an zen essai sur le bouddhisme zen manuel du libraire et de l amateur de livres by j c brunet supplément par p deschamps et g brunet manuel du libraire et de l amateur de livres supplément essai d une exposition historique militaire de la glorieuse guerre d affranchissement

**essais sur le bouddhisme zen de daisetz teitaro suzuki** - Jan 14 2023

web collection bouddhisme et jaïnisme daisetz teitaro suzuki professeur de bouddhisme zen à kyoto essais sur le bouddhisme zen tome 4 traduction de rené daumal 1943 paris neufchatel edition adrien maisonneuve delachaux et niestlé format in 12 12 x 18 5 cm broché 192 pages etat bon exemplaire poids 280g

**le kôan zen essai sur le bouddhisme zen by toshihiko izutsu** - Feb 03 2022

web aug 18 2023 le kôan zen essai sur le bouddhisme zen by toshihiko izutsu renault kadjar du pareil presque le mme automobile ka y zen le blanc mesnil chiffre d affaires resultat toutes les actualites renault twingo photos essais peugeot 208 2019 le bon numro essai vido

**download free le ka an zen essai sur le bouddhisme zen** - Feb 15 2023

web le ka an zen essai sur le bouddhisme zen this volume gathers over forty papers by leading scholars in the field of the history of rhetoric it illustrates the current trends of this new area of research and covers the bible classical antiquity medieval and modern europe chinese and corean civilization and the contemporary world

*le kôan zen essais sur le bouddhisme zen paperback* - May 18 2023

web le professeur izutsu l explique dans ces conférences conçues pour un public occidental où il donne les grandes clés nous permettant d appréhender les principes d une philosophie millénaire sa vision du monde qui repose sur une expérience énigmatique de l illumination et son enseignement

**le ka an zen essai sur le bouddhisme zen book** - Oct 23 2023

web le ka an zen essai sur le bouddhisme zen eastern influences on western philosophy feb 28 2021 the influence of east on west of eastern ideas on western thought has become an increasingly vexed issue in recent times opinion is

**le ka an zen essai sur le bouddhisme zen pdf** - Nov 12 2022

web le ka an zen essai sur le bouddhisme zen 3 3 in the book as a lexicon of latin loanwords is examined using insights from linguistic work on modern languages to provide new answers that often differ strikingly from earlier ones the analysis is accessibly presented and the lexicon offers a

**le kôan zen essai sur le bouddhisme zen by toshihiko izutsu** - Jul 08 2022

web oct 19 2023 may 4th 2020 de plus la visibilité arrière est très mauvaise sur le modèle à l essai entièrement tôle derrière le conducteur carton rouge pour les ingénieurs qui ont placé la prise à l avant a

*metro 2 rouge module 5 unit 3 flashcards quizlet* - May 11 2023

web À paris learn with flashcards games and more for free

**metro 2 rouge teachers guide revised edition google books** - Jul 13 2023

web metro 2 rouge teachers guide revised edition volume 2 rosi mcNab heinemann educational 2000 french language 144 pages the teacher s guides match all of

**metro2frenchanswers davidkirk book** - Jan 07 2023

web metro 2 french answers french elementary level 2 sep 24 2020 french elementary level 2 homework booklet offers more practice learning the french language presenting

*metro 2 french answers stage gapinc com* - Oct 04 2022

web foundations french 1 vikas publishing house metro pour l ecosse covers the scottish curriculum at s3 and s4 taking into account the requirements for standard grade and

metro 2 french answers lfe - Dec 06 2022

web metro 2 french answers 1 omb no metro 2 french answers metro 2 student s book audio pdf unit 1 2 metro starter student s book audio pdf unit 1 2 metro 2

**metro 2 french answers cyberlab sutd edu sg** - Aug 14 2023

web metro 2 french answers french elementary level 2 sep 24 2020 french elementary level 2 homework booklet offers more practice learning the french language

**metro 2 french answers** - Sep 03 2022

web ecoya metro jars scented candle in french pear fragrance metro diner jacksonville 3302 hendricks ave menu place 2 words wheel of fortune answers metro council

*french metro 2 rouge flashcards quizlet* - Oct 16 2023

web metro 2 rouge some of the terms learn with flashcards games and more for free

**metro 1 module 1 unite 1 french greetings teaching resources** - Aug 02 2022

web feb 28 2013 file previews ppt 1 26 mb following the metro 1 book this presentation includes activities around greetings bonjour ca va comment tu t appelles etc the

*le métro 2 flashcards quizlet* - Sep 15 2023

web start studying le métro 2 learn vocabulary terms and more with flashcards games and other study tools

metro 2 french answers ceu social - Jul 01 2022

web metro 2 french answers metro 2 french answers book review unveiling the magic of language in an electronic era where connections and knowledge reign supreme the

**metro 2 french answers pqr uiaf gov co** - Nov 05 2022

web we present you this proper as competently as easy way to acquire those all we provide metro 2 french answers and numerous books collections from fictions to scientific

*expo 2 french pupil cyberlab sutd edu sg* - Feb 08 2023

web skoldo french book two colour free cd french language learning for beginners is an educational workbook for learning the french language join in pupil s book 2

*manchester united rivalling psg and juventus for monaco s* - Mar 29 2022

web 15 hours ago manchester united are monitoring the progress of monaco midfielder youssouf fofana but they are not alone with the likes of juventus and paris saint

teen girl found dead in jail after being seen eating breakfast - Apr 29 2022

web nov 15 2023 a family in indiana is searching for answers after an 18 year old girl was found dead in her jail cell over the weekend follow metro co uk on twitter and

**metro 2 french answers mucho goldenpalace com** - Mar 09 2023

web 4 metro 2 french answers 2022 03 31 look onlineline ty answer save 1 answer relevance god s favorite lv 6 1 decade ago favorite answer answers to metro 2

[metro 2 french answers stage gapinc com](#) - Oct 24 2021

web metro 2 french answers 1 metro 2 french answers leadership personal effectiveness and team building 2nd edition an eye tracking study of equivalent effect in

**metro 2 french answers sgmoji youthopia sg** - May 31 2022

web metro 2035 wikipedia budapest questions answers moscow metro 2018 all you need to know before you go place 2 words wheel of fortune answers lg lfc21776st 3

**métro traduction dictionnaire français anglais** - Feb 25 2022

web familier être très en retard be running very late be running really late v expr avoir un métro de retard avoir un train de retard avoir un wagon de retard loc v familier ne pas

**french metro 2 métro flashcards and study sets quizlet** - Apr 10 2023

web learn french metro 2 métro with free interactive flashcards choose from 500 different sets of french metro 2 métro flashcards on quizlet

*metro 2 french answers help environment harvard edu* - Sep 22 2021

web merely said the metro 2 french answers is universally compatible with any devices to read publisher and bookseller 1907 vols for 1871 76 1913 14 include an extra number

**metro teacher s site teaching resources oxford** - Jun 12 2023

web scope and sequence download the contents pages for all 4 levels of metro metro scope and sequence starter pdf 950 kb metro scope and sequence level 1 pdf 986

[quordle today hints and answers for thursday november 16](#) - Jan 27 2022

web published 16 november 2023 our clues will help you solve quordle today and keep that streak going image credit getty images jump to hint 1 vowels hint 2 total

**métro translate french to english cambridge dictionary** - Dec 26 2021

web métro translate subway subway tube underground learn more in the cambridge french english dictionary

**métro traduction anglaise linguee** - Nov 24 2021

web stm the métro wil l remain open all night long allowing nightowls to live out their all nighter adventure to the fullest de très nombreux exemples de phrases traduites contenant

[was ist was junior band 7 mein korper wie wachse pdf](#) - May 01 2022

web jan 14 2017 was ist was junior band 7 mein körper wie wachse ich warum brauche ich muskeln hörbuch hörbuch online pdf audiobook komplett download

*was ist was junior band 7 mein körper wie wachse ich* - Jul 15 2023

web nov 21 2016 was ist was junior band 7 mein körper wie wachse ich warum brauche ich muskeln noa sandra 9783788622114 amazon com books

was ist was junior band 7 mein körper wie wachse ich - May 13 2023

web sep 14 2018 was ist was junior band 7 mein körper wie wachse ich warum brauche ich muskeln was ist was jun downloade das hörbuch gratis

was ist was junior band 7 mein körper wie wachse ich - Apr 12 2023

web tessloff medienvertrieb gmbh 9783788622114 978 3 7886 2211 4 noa sandra wissen seitenzahl 20

was ist was junior band 7 mein körper tausendkind ch - Nov 07 2022

web jun 22 2023 get the was ist was junior band 7 mein körper wie wachse ich warum brauche ich muskeln was ist was junior sachbuch band 7 by sandra noa join that

**was ist was junior band 7 mein körper weltbild** - Feb 10 2023

web buch 12 95 was ist was wir bekommen ein haustier folge 28 viviane michele antonie koppelmann hörbuch 7 99 was ist was junior hörspiel im zoo audio

was ist was junior band 7 mein körper wie wachse pdf - Sep 24 2021

was ist was junior band 7 mein körper wie wachse ich warum - Feb 27 2022

web was ist was junior band 7 mein körper wie wachse 1 was ist was junior band 7 mein körper wie wachse as recognized adventure as without difficulty as experience

**was ist was junior band 7 mein körper wie wachse full pdf** - Jan 29 2022

web begin getting this info get the was ist was junior band 7 mein körper wie wachse member that we find the money for here and check out the link you could purchase lead

**was ist was junior band 7 mein körper wie wachse ich warum** - Jul 03 2022

web jun 14 2023 was ist was junior band 32 technik zu hause tessloff was ist was wieso weshalb warum junior band 7 die baustelle was ist was junior mein körper band 7

*was ist was junior band 7 mein körper wie wachse copy* - Oct 26 2021

web apr 18 2023 was ist was junior band 7 mein körper wie wachse 1 7 downloaded from uniport edu ng on april 18 2023 by guest was ist was junior band 7 mein körper

**was ist was junior band 7 mein körper wie wachse ich** - Aug 16 2023

web was ist was junior band 7 mein körper ist ein großartiges buch für kinder im alter von 4 7 jahren um mehr über ihren körper und die funktionen verschiedener organe zu erfahren das buch ist sehr anschaulich und kindgerecht gestaltet so dass es leicht

was ist was junior band 7 mein körper wie wachse ich warum - Jun 02 2022

web mar 21 2023 recognizing the artifice ways to acquire this ebook was ist was junior band 7 mein korper wie wachse is additionally useful you have remained in right site to start

**was ist was junior band 7 mein körper wie wachse ich warum** - Jan 09 2023

web was ist was junior band 7 mein körper wie wachse ich was ist was junior band 32 technik zu hause tessloff herunterladen was ist was junior band 12 wald welche mein

**was ist was junior band 07 mein körper** - Dec 08 2022

web was ist was junior band 7 mein körper schnelle lieferung kompetenter service jetzt online bei tausendkind bestellen

**was ist was junior band 7 mein korper wie wachse pdf 2023** - Mar 11 2023

web was ist was junior band 7 mein korper wie wachse pdf pages 3 9 was ist was junior band 7 mein korper wie wachse pdf upload dona m robertson 3 9

**was ist was junior band 7 mein korper wie wachse sabine** - Aug 04 2022

web jun 12 2023 was ist was junior band 7 mein körper noa sandra was ist was junior musik folge 27 jahreszeiten was ist was junior band 7 mein körper von sabine

*was ist was junior band 7 mein korper wie wachse pdf* - Sep 05 2022

web merely said the was ist was junior band 7 mein korper wie wachse is universally compatible in the same way as any devices to read humanity fabian kloose 2016 10 10

**was ist was junior band 7 mein korper wie wachse** - Nov 26 2021

web mar 13 2023 merely said the was ist was junior band 7 mein korper wie wachse is universally compatible taking into consideration any devices to read girl mans up m e

**was ist was junior band 7 mein körper wie wachse ich warum** - Oct 06 2022

web mar 27 2023 as this was ist was junior band 7 mein korper wie wachse it ends occurring visceral one of the favored book was ist was junior band 7 mein korper wie

was ist was junior band 7 mein körper wie wachse ich - Mar 31 2022

web was ist was junior band 7 mein körper in nürnberg was ist was junior band 7 mein körper sandra noa buch was ist was junior band 32 technik zu hause tessloff pdf was

*was ist was junior band 7 mein korper wie wachse karl marx* - Dec 28 2021

web may 20 2023 *was ist was junior band 7 mein korper wie wachse* 2 6 downloaded from uniport edu ng on may 20 2023

by guest savanna julius zebra is captured along

*was ist was junior band 7 mein körper wie wachse ich* - Jun 14 2023

web *was ist was junior band 7 mein körper wie wachse ich warum brauche ich muskeln* description *was ist was junior band 7 mein körper wie wachse ich*