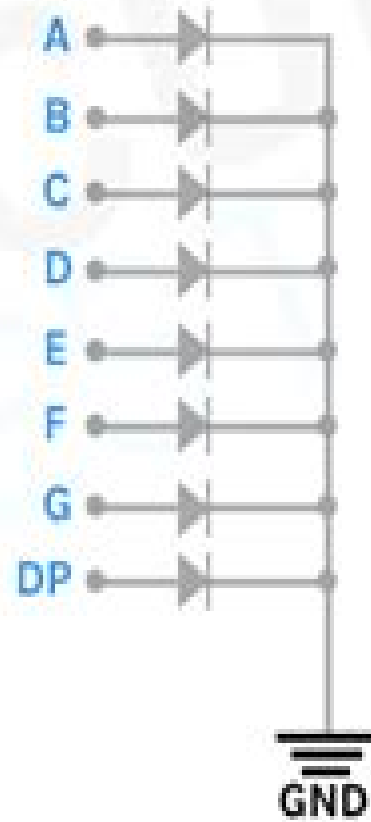
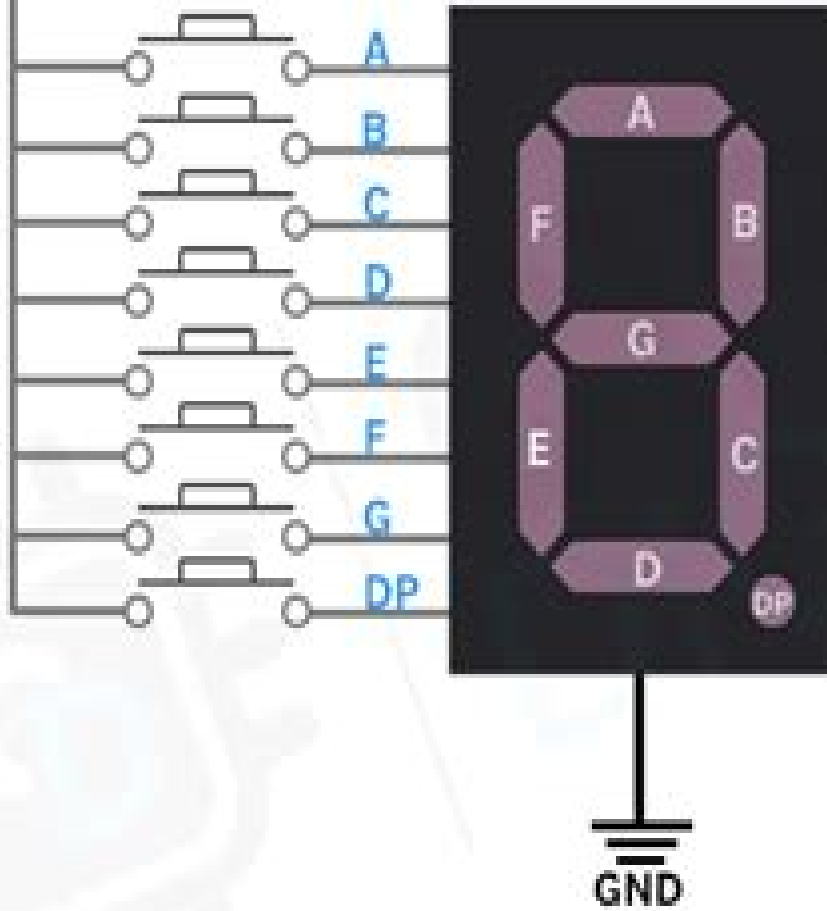


VCC



Common Cathode
7 Segment

7 Segment Led Controller Datasheet

SA Adler



7 Segment Led Controller Datasheet:

C and the 8051 Thomas W. Schultz, Thomas Schultz, 2004 This totally reworked book combines two previous books with material on networking It is a complete guide to programming and interfacing the 8051 microcontroller family devices for embedded applications

Digital Electronic Components Franco Zappa, Rita Asquini, 2025-05-13 The book is aimed at readers interested in the hardware design of digital electronic circuits and systems It introduces the basics of digital electronics and then describes in detail both combinational and sequential components The book aims at providing an indepth overview of commercially available off the shelf devices necessary to design low and medium complexity digital electronic systems Topics covered in the book Basic and advanced logic gates TTL and CMOS logic families and interoperability Combinational logic and truth table Sum of Products Product of Sums and Karnaugh maps design Sequential logic and classifications Latches and Flip Flops Combinational components encoders decoders comparators parity generators and checkers Adders ALU mux demux Sequential components latches and flip flops shift registers counters Memories ROM RAM SDRAM and flash 8 bit Microcontrollers architectures and development tools Basics of typical microcontroller s assembly language and opcodes Microcontrollers internal peripherals and their working operations

Digital Electronics Franco Zappa, 2019-09-11 The book is addressed to an audience interested in the hardware design of digital electronic circuits and systems It introduces the basics of digital electronics and then describes in detail both combinational and sequential logics and components The book aims at providing an in depth overview of the devices and components necessary to design digital electronic systems by exploiting commercially available components The book describes the most important concepts components internal block diagrams schematics and functional specifications implementations and design tricks that are the fundamental building blocks of any complex electronic system designed to be implemented either through discrete components in electronic boards or by means of single chip programmable logic such as Field Programmable Gate Arrays and microcontrollers The topics covered by the book are Basic and advanced logic gates TTL and CMOS logic families and interoperability Combinational logic and truth table Sum of Products Product of Sums and Karnaugh maps design Sequential logic and classifications Latches and Flip Flops Combinational MSI integrated circuits encoders decoders comparators parity generators and checkers adders ALU multiplexer demultiplexer Sequential MSI integrated circuits latches and flip flops registers shift registers counters Memories ROM RAM SDRAM E2PROM and flash Basics on 8 bit Microcontrollers

Shortening the Path from Specification to Prototype, 2002 **Electrical Design News**, 1982

Arduino Cookbook Michael Margolis, Brian Jepson, Nicholas Robert Weldin, 2020-04-17 Want to create devices that interact with the physical world This cookbook is perfect for anyone who wants to experiment with the popular Arduino microcontroller and programming environment You ll find more than 200 tips and techniques for building a variety of objects and prototypes such as IoT solutions environmental monitors location and position aware systems and products that can

respond to touch sound heat and light Updated for the Arduino 1.8 release the recipes in this third edition include practical examples and guidance to help you begin expand and enhance your projects right away whether you're an engineer designer artist student or hobbyist Get up to speed on the Arduino board and essential software concepts quickly Learn basic techniques for reading digital and analog signals Use Arduino with a variety of popular input devices and sensors Drive visual displays generate sound and control several types of motors Connect Arduino to wired and wireless networks Learn techniques for handling time delays and time measurement Apply advanced coding and memory handling techniques

Exploring BeagleBone Derek Molloy, 2018-12-17 In depth instruction and practical techniques for building with the BeagleBone embedded Linux platform Exploring BeagleBone is a hands on guide to bringing gadgets gizmos and robots to life using the popular BeagleBone embedded Linux platform Comprehensive content and deep detail provide more than just a BeagleBone instruction manual you'll also learn the underlying engineering techniques that will allow you to create your own projects The book begins with a foundational primer on essential skills and then gradually moves into communication control and advanced applications using C/C++ allowing you to learn at your own pace In addition the book's companion website features instructional videos source code discussion forums and more to ensure that you have everything you need The BeagleBone's small size high performance low cost and extreme adaptability have made it a favorite development platform and the Linux software base allows for complex yet flexible functionality The BeagleBone has applications in smart buildings robot control environmental sensing to name a few and expansion boards and peripherals dramatically increase the possibilities Exploring BeagleBone provides a reader friendly guide to the device including a crash course in computer engineering While following step by step you can Get up to speed on embedded Linux electronics and programming Master interfacing electronic circuits buses and modules with practical examples Explore the Internet connected BeagleBone and the BeagleBone with a display Apply the BeagleBone to sensing applications including video and sound Explore the BeagleBone's Programmable Real Time Controllers Updated to cover the latest Beagle boards Linux kernel versions and Linux software releases Includes new content on Linux kernel development the Linux Remote Processor Framework CAN bus IoT frameworks and much more Hands on learning helps ensure that your new skills stay with you allowing you to design with electronics modules or peripherals even beyond the BeagleBone Insightful guidance and online peer support help you transition from beginner to expert as you master the techniques presented in Exploring BeagleBone the practical handbook for the popular computing platform

Designer's Handbook of Integrated Circuits Arthur Bernard Williams, 1984

Electronics, 1983 June issues 1941-44 and Nov issue 1945 include a buyers guide section **Introduction to Mechatronics and Measurement Systems** David G. Alciatore, Michael B. Hstand, 2007 Providing comprehensive coverage of the field of mechatronics this book is useful for mechanical electrical and aerospace engineering majors It presents a review of electrical circuits solid state devices digital circuits and motors It also includes many illustrations examples class

discussion items and chapter questions and exercises Exploring Raspberry Pi Derek Molloy,2016-06-09 Expand Raspberry Pi capabilities with fundamental engineering principles Exploring Raspberry Pi is the innovators guide to bringing Raspberry Pi to life This book favors engineering principles over a recipe approach to give you the skills you need to design and build your own projects You ll understand the fundamental principles in a way that transfers to any type of electronics electronic modules or external peripherals using a learning by doing approach that caters to both beginners and experts The book begins with basic Linux and programming skills and helps you stock your inventory with common parts and supplies Next you ll learn how to make parts work together to achieve the goals of your project no matter what type of components you use The companion website provides a full repository that structures all of the code and scripts along with links to video tutorials and supplementary content that takes you deeper into your project The Raspberry Pi s most famous feature is its adaptability It can be used for thousands of electronic applications and using the Linux OS expands the functionality even more This book helps you get the most from your Raspberry Pi but it also gives you the fundamental engineering skills you need to incorporate any electronics into any project Develop the Linux and programming skills you need to build basic applications Build your inventory of parts so you can always make it work Understand interfacing controlling and communicating with almost any component Explore advanced applications with video audio real world interactions and more Be free to adapt and create with Exploring Raspberry Pi EDN ,1994 **Practical Digital Electronics** Nigel P. Cook,2004 Appropriate for Digital Electronics courses in high schools vocational technical schools and community colleges After 16 textbooks 26 editions and 19 years of front line education experience best selling author Nigel Cook s new text Practical Digital Electronics completes the successful Practical Series trilogy Practical Electricity 14 dc ac chapters ISBN 0 13 042047 6 Practical Electronics 14 devices chapters ISBN 0 13 042082 4 Practical Digital Electronics 14 digital chapters ISBN 0 13 111060 8 Electronic Design ,2006 Instrumentation & Control Systems ,1998 *Computer Design* ,1982 **Pollution Equipment News** ,2000 **Lab Manual to Accompany Tocci's Digital Systems, Principles and Applications, 3/E** Jim C. DeLoach,1985 The Linear Control Circuits Data Book for Design Engineers Texas Instruments Incorporated. Semiconductor Group,1976 *Popular Electronics* ,1982

If you ally compulsion such a referred **7 Segment Led Controller Datasheet** books that will offer you worth, get the certainly best seller from us currently from several preferred authors. If you want to comical books, lots of novels, tale, jokes, and more fictions collections are as well as launched, from best seller to one of the most current released.

You may not be perplexed to enjoy all book collections 7 Segment Led Controller Datasheet that we will no question offer. It is not in relation to the costs. Its very nearly what you compulsion currently. This 7 Segment Led Controller Datasheet, as one of the most practicing sellers here will completely be in the middle of the best options to review.

https://py.bijouxmedusa.com/data/detail/Download_PDFS/Investing_For_Beginners_America_42_1996_Crypto_Investing_Guide_United.pdf

Table of Contents 7 Segment Led Controller Datasheet

1. Understanding the eBook 7 Segment Led Controller Datasheet
 - The Rise of Digital Reading 7 Segment Led Controller Datasheet
 - Advantages of eBooks Over Traditional Books
2. Identifying 7 Segment Led Controller Datasheet
 - Exploring Different Genres
 - Considering Fiction vs. Non-Fiction
 - Determining Your Reading Goals
3. Choosing the Right eBook Platform
 - Popular eBook Platforms
 - Features to Look for in an 7 Segment Led Controller Datasheet
 - User-Friendly Interface
4. Exploring eBook Recommendations from 7 Segment Led Controller Datasheet
 - Personalized Recommendations
 - 7 Segment Led Controller Datasheet User Reviews and Ratings
 - 7 Segment Led Controller Datasheet and Bestseller Lists

5. Accessing 7 Segment Led Controller Datasheet Free and Paid eBooks
 - 7 Segment Led Controller Datasheet Public Domain eBooks
 - 7 Segment Led Controller Datasheet eBook Subscription Services
 - 7 Segment Led Controller Datasheet Budget-Friendly Options
6. Navigating 7 Segment Led Controller Datasheet eBook Formats
 - ePub, PDF, MOBI, and More
 - 7 Segment Led Controller Datasheet Compatibility with Devices
 - 7 Segment Led Controller Datasheet Enhanced eBook Features
7. Enhancing Your Reading Experience
 - Adjustable Fonts and Text Sizes of 7 Segment Led Controller Datasheet
 - Highlighting and Note-Taking 7 Segment Led Controller Datasheet
 - Interactive Elements 7 Segment Led Controller Datasheet
8. Staying Engaged with 7 Segment Led Controller Datasheet
 - Joining Online Reading Communities
 - Participating in Virtual Book Clubs
 - Following Authors and Publishers 7 Segment Led Controller Datasheet
9. Balancing eBooks and Physical Books 7 Segment Led Controller Datasheet
 - Benefits of a Digital Library
 - Creating a Diverse Reading Collection 7 Segment Led Controller Datasheet
10. Overcoming Reading Challenges
 - Dealing with Digital Eye Strain
 - Minimizing Distractions
 - Managing Screen Time
11. Cultivating a Reading Routine 7 Segment Led Controller Datasheet
 - Setting Reading Goals 7 Segment Led Controller Datasheet
 - Carving Out Dedicated Reading Time
12. Sourcing Reliable Information of 7 Segment Led Controller Datasheet
 - Fact-Checking eBook Content of 7 Segment Led Controller Datasheet
 - Distinguishing Credible Sources
13. Promoting Lifelong Learning

- Utilizing eBooks for Skill Development
 - Exploring Educational eBooks
14. Embracing eBook Trends
- Integration of Multimedia Elements
 - Interactive and Gamified eBooks

7 Segment Led Controller Datasheet Introduction

In this digital age, the convenience of accessing information at our fingertips has become a necessity. Whether its research papers, eBooks, or user manuals, PDF files have become the preferred format for sharing and reading documents. However, the cost associated with purchasing PDF files can sometimes be a barrier for many individuals and organizations. Thankfully, there are numerous websites and platforms that allow users to download free PDF files legally. In this article, we will explore some of the best platforms to download free PDFs. One of the most popular platforms to download free PDF files is Project Gutenberg. This online library offers over 60,000 free eBooks that are in the public domain. From classic literature to historical documents, Project Gutenberg provides a wide range of PDF files that can be downloaded and enjoyed on various devices. The website is user-friendly and allows users to search for specific titles or browse through different categories. Another reliable platform for downloading 7 Segment Led Controller Datasheet free PDF files is Open Library. With its vast collection of over 1 million eBooks, Open Library has something for every reader. The website offers a seamless experience by providing options to borrow or download PDF files. Users simply need to create a free account to access this treasure trove of knowledge. Open Library also allows users to contribute by uploading and sharing their own PDF files, making it a collaborative platform for book enthusiasts. For those interested in academic resources, there are websites dedicated to providing free PDFs of research papers and scientific articles. One such website is Academia.edu, which allows researchers and scholars to share their work with a global audience. Users can download PDF files of research papers, theses, and dissertations covering a wide range of subjects. Academia.edu also provides a platform for discussions and networking within the academic community. When it comes to downloading 7 Segment Led Controller Datasheet free PDF files of magazines, brochures, and catalogs, Issuu is a popular choice. This digital publishing platform hosts a vast collection of publications from around the world. Users can search for specific titles or explore various categories and genres. Issuu offers a seamless reading experience with its user-friendly interface and allows users to download PDF files for offline reading. Apart from dedicated platforms, search engines also play a crucial role in finding free PDF files. Google, for instance, has an advanced search feature that allows users to filter results by file type. By specifying the file type as "PDF," users can find websites that offer free PDF downloads on a specific topic. While downloading 7 Segment Led Controller Datasheet free PDF files is

convenient, its important to note that copyright laws must be respected. Always ensure that the PDF files you download are legally available for free. Many authors and publishers voluntarily provide free PDF versions of their work, but its essential to be cautious and verify the authenticity of the source before downloading 7 Segment Led Controller Datasheet. In conclusion, the internet offers numerous platforms and websites that allow users to download free PDF files legally. Whether its classic literature, research papers, or magazines, there is something for everyone. The platforms mentioned in this article, such as Project Gutenberg, Open Library, Academia.edu, and Issuu, provide access to a vast collection of PDF files. However, users should always be cautious and verify the legality of the source before downloading 7 Segment Led Controller Datasheet any PDF files. With these platforms, the world of PDF downloads is just a click away.

FAQs About 7 Segment Led Controller Datasheet Books

What is a 7 Segment Led Controller Datasheet PDF? A PDF (Portable Document Format) is a file format developed by Adobe that preserves the layout and formatting of a document, regardless of the software, hardware, or operating system used to view or print it. **How do I create a 7 Segment Led Controller Datasheet PDF?** There are several ways to create a PDF: Use software like Adobe Acrobat, Microsoft Word, or Google Docs, which often have built-in PDF creation tools. Print to PDF: Many applications and operating systems have a "Print to PDF" option that allows you to save a document as a PDF file instead of printing it on paper. Online converters: There are various online tools that can convert different file types to PDF. **How do I edit a 7 Segment Led Controller Datasheet PDF?** Editing a PDF can be done with software like Adobe Acrobat, which allows direct editing of text, images, and other elements within the PDF. Some free tools, like PDFescape or Smallpdf, also offer basic editing capabilities. **How do I convert a 7 Segment Led Controller Datasheet PDF to another file format?** There are multiple ways to convert a PDF to another format: Use online converters like Smallpdf, Zamzar, or Adobe Acrobats export feature to convert PDFs to formats like Word, Excel, JPEG, etc. Software like Adobe Acrobat, Microsoft Word, or other PDF editors may have options to export or save PDFs in different formats. **How do I password-protect a 7 Segment Led Controller Datasheet PDF?** Most PDF editing software allows you to add password protection. In Adobe Acrobat, for instance, you can go to "File" -> "Properties" -> "Security" to set a password to restrict access or editing capabilities. Are there any free alternatives to Adobe Acrobat for working with PDFs? Yes, there are many free alternatives for working with PDFs, such as: LibreOffice: Offers PDF editing features. PDFsam: Allows splitting, merging, and editing PDFs. Foxit Reader: Provides basic PDF viewing and editing capabilities. How do I compress a PDF file? You can use online tools like Smallpdf, ILovePDF, or desktop software like Adobe Acrobat to compress PDF files without significant quality loss. Compression reduces the file size, making it easier to share and download. Can I fill out forms in a PDF file? Yes, most PDF

viewers/editors like Adobe Acrobat, Preview (on Mac), or various online tools allow you to fill out forms in PDF files by selecting text fields and entering information. Are there any restrictions when working with PDFs? Some PDFs might have restrictions set by their creator, such as password protection, editing restrictions, or print restrictions. Breaking these restrictions might require specific software or tools, which may or may not be legal depending on the circumstances and local laws.

Find 7 Segment Led Controller Datasheet :

[investing for beginners America 42-1996](#) [crypto investing guide United](#)
[minimalist lifestyle roadmap America 42-416](#) [minimalist lifestyle roadmap](#)
[review America 42-116](#) [retirement planning review United States 42-222](#)
work tools for entrepreneurs 42-2971 **remote work trends USA 42-1268**
[for beginners USA 42-2314](#) [chatbot development for beginners for creators](#)
[electric vehicles step by step for entrepreneurs 42-2440](#) [electric](#)
[Instagram growth examples United States 42-2479](#) [Instagram growth](#)
[USA 42-2199](#) [credit score improvement ideas for creators 42-1417](#) [credit](#)
[small business 42-1191](#) [career growth blueprint for small business](#)
retirement planning apps America 42-1131 **retirement planning best**
United States 42-1208 **cybersecurity software United States 42-1320**
[United States 42-2035](#) [TikTok marketing examples for creators 42-2375](#)
[YouTube growth tips for small business 42-1513](#) [YouTube growth tools for](#)
[United States 42-628](#) [content marketing ideas for startups 42-2653](#)
marketing ideas for creators 42-1337 **affiliate marketing ideas for**

7 Segment Led Controller Datasheet :

Guide Hachette des vins 2014 (French Edition) - Amazon Amazon.com: Guide Hachette des vins 2014 (French Edition): 9782012384460: Collectif, Hachette: Books. Guide Hachette des Vins édition collector 2014 (French ... Amazon.com: Guide Hachette des Vins édition collector 2014 (French Edition): 9782012314825: Collectif, Hachette: Books. Le Guide Hachette des Vins Sep 6, 2023 — Le Guide Hachette des Vins is a wine guide from French publishing group Hachette. The book was first printed in 1985 and remains one of France's ... Guide Hachette des vins 2014 (French Edition) - Hardcover Le guide

Hachette des vins 2014. Rosa, Stéphane. Published by Hachette, Paris (2013). ISBN 10: 2012384463 ISBN 13: 9782012384460. Used Hardcover Quantity: 1. Guide Hachette des vins 2014 (French Edition) By Collectif Guide Hachette des vins 2014 (French Edition) By Collectif ; Format. Hardcover ; Language. french ; Accurate description. 4.8 ; Reasonable shipping cost. 5.0. Hachette Wine Guide 2014: 1 star The fragrance is discreet but fine, predominantly floral, whereas the taste is full-bodied, balanced and long, becoming fruity. A pleasant contrast which in no ... Guide Hachette des Vins The Guide Hachette des Vins is a French wine buying guide published by Hachette Livre (Hachette Pratique). Its first edition was released in 1985. Guide Hachette des vins 2014 Publisher Description ; GENRE. Cookbooks, Food & Wine ; RELEASED. 2013. September 4 ; LANGUAGE. FR. French ; LENGTH. 1,400. Pages ; PUBLISHER. Hachette Pratique. Le guide Hachette des vins Edition 2014 - relié - Collectif Ce guide indispensable et incontournable vous renseignera sur les meilleurs vins. A avoir chez soi. Pour tous les amateurs (ou non) de vins ! Prayers That Rout Demons and Break Curses ... Prayers series, Prayers That Rout Demons and Prayers That Break Curses. This is a powerful, handy reference tool that enables the reader to access Scripture ... John Eckhardt / Prayers That Rout Demons & Break ... Prayers That Rout Demons combines powerful prayers with decrees taken from Scripture to help you overcome demonic influence and opposition ... Prayers that Rout Demons & Break Curses: John Eckhardt Prayers that Rout Demons & Break Curses · John Eckhardt · 4.8 out of 5 stars 171. Hardcover. \$155.19\$155.19. Prayers That Rout Demons by John Eckhardt I break every curse (Balaam) hired against my life in the name of Jesus. ... I break all curses of death spoken by people in authority in my nation over my nation ... Prayers That Rout Demons and Break Curses This book addresses curses and demonic forces that try to control lives. Through pointed prayers it teaches how to come against the devil and his group. This ... Prayers that Rout Demons & Break Curses - John Eckhardt Prayers that Rout Demons & Break Curses ... This bonded leather compendium combines the two best-selling books by John Eckhardt in the Spiritual Prayers series, ... Prayers That Rout Demons and Break Curses - Charisma Shop ... Prayers series, Prayers That Rout Demons and Prayers That Break Curses. This is a powerful, handy reference tool that enables you to access Scripture-based ... Prayers That Rout Demons & Break Curses, 2 Volumes in 1 Prayers That Rout Demons & Break Curses, 2 Volumes in 1 ... This leather-bound volume combines the two best-selling books by John Eckhardt in the Spiritual ... Prayers That Rout Demons & Break Curses Prayers That Rout Demons & Break Curses ... \$19.99 Contact store for availability! ... This bonded leather compendium combines the two best-selling books by John ... Prayers That Rout Demons & Break Curses - By John ... Prayers That Rout Demons & Break Curses - by John Eckhardt (Hardcover) ; Estimated ship dimensions · 0.9 inches length x 5.3 inches width x 7.1 inches height. Figurative Language in In Cold Blood | Study.com Figurative Language in In Cold Blood | Study.com Key Literary Devices Metaphors: "Wearing an open-necked shirt (borrowed from Mr. Meier) and blue jeans rolled up at the cuffs, [Perry] looked as lonely and inappropriate as a ... In Cold Blood by Kendall Cheval Personification - "his memory...haunting the hallways of his mind" (pg 44); Alliteration - "...the whisper of the

wind voices in the wind-bent wheat.. In Cold Blood Metaphors ' Perry knows that there is no way he can come out ahead. He will be running for the rest of his life, or he will be caught and possibly hanged. 'Running a race ... Figurative Language In Truman Capote's In Cold Blood " [He] pulled up the covers, tucked her in till just her head showed..." the use of 'tucked her in' expresses a calm and cozy tone which contrasts with the ... Figurative Language In Truman Capote's In Cold Blood One example of imagery is used in line 5 "I'm stone. I'm flesh." The narrator is using metaphoric and literal imagery describing his body. The reader can ... Metaphor, Make-believe and Misleading Information in ... Sep 10, 2022 — Packed with metaphor, language play and allegory - such as that found in the noted tomcat extract above - In Cold Blood can surely only ever be ... Rhetorical Strategies Mar 7, 2011 — However, one of the most important rhetorical devices written in the novel is in the form of a metaphor: "He and Dick were 'running a race ... In Cold Blood - LitDevices.com Jul 1, 2019 — The author uses vivid imagery to create a sense of place and atmosphere, such as when he describes the Clutter home as "a home with absolutely ... Language Devices In Truman Capote's In Cold Blood Truman Capote uses variety of language devices to vividly develop Perry Smith in his novel In Cold Blood. These language devices include, diction, similes ...