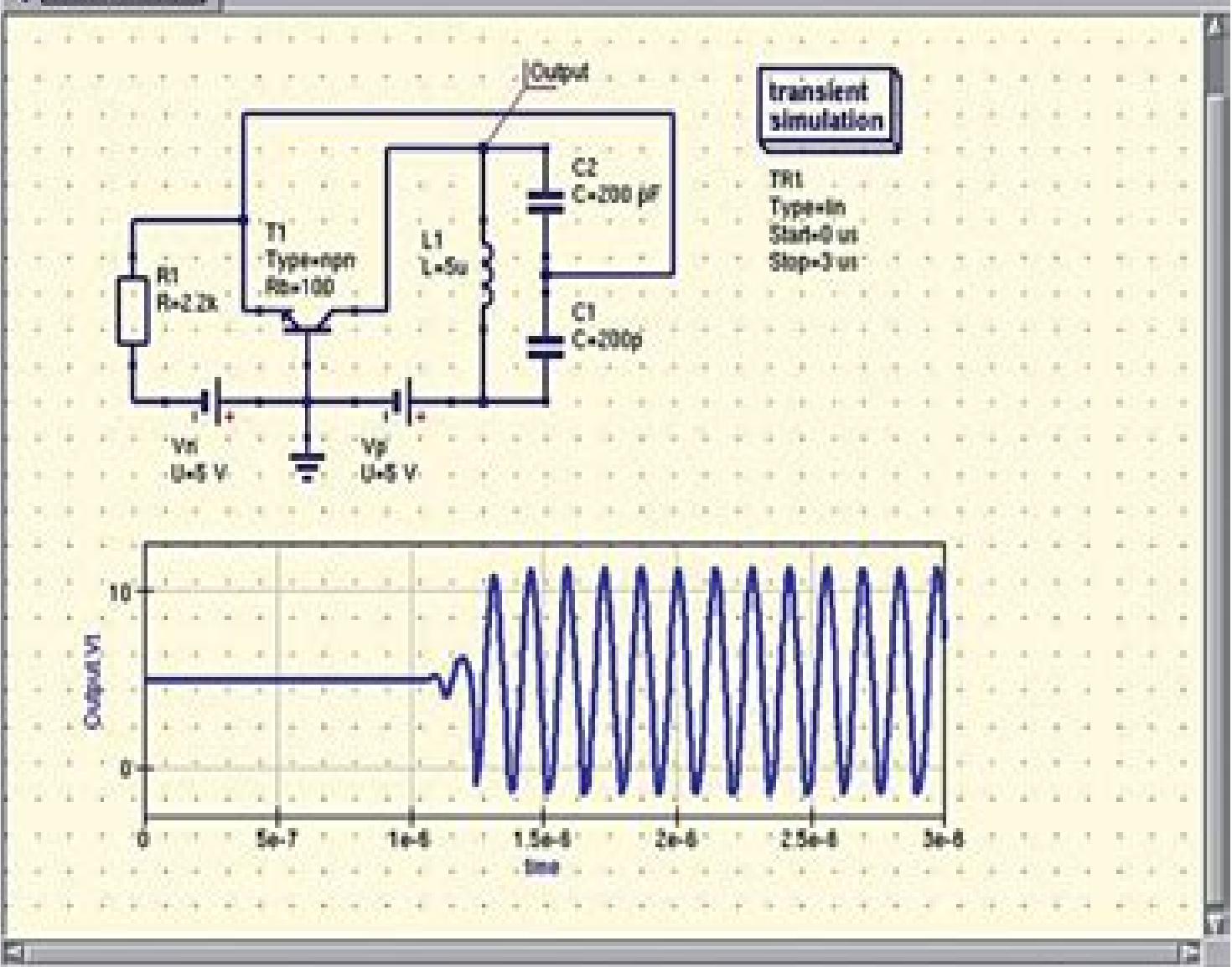




colpits_base.sch

nonlinear components

- Diode npn transistor
- ppn transistor npn transistor
- ppn transistor n-JFET
- p-JFET n-MOSFET
- p-MOSFET depletion MOSFET
- n-MOSFET p-MOSFET
- depletion MOSFET OpAmp
- Equation Defined Device
- Diac
- Triac



A Tutorial Qucs Project Quite Universal Circuit Simulator

RJ Shavelson



A Tutorial Qucs Project Quite Universal Circuit Simulator:

Thank you categorically much for downloading **A Tutorial Qucs Project Quite Universal Circuit Simulator**. Maybe you have knowledge that, people have look numerous time for their favorite books like this A Tutorial Qucs Project Quite Universal Circuit Simulator, but end happening in harmful downloads.

Rather than enjoying a fine ebook subsequent to a mug of coffee in the afternoon, instead they juggled past some harmful virus inside their computer. **A Tutorial Qucs Project Quite Universal Circuit Simulator** is understandable in our digital library an online permission to it is set as public in view of that you can download it instantly. Our digital library saves in combination countries, allowing you to acquire the most less latency era to download any of our books gone this one. Merely said, the A Tutorial Qucs Project Quite Universal Circuit Simulator is universally compatible taking into account any devices to read.

https://py.bijouxmedusa.com/book/publication/index.jsp/62_2459_Real_Estate_Investing_Tips_USA_62_240_Real_Estate_Investing_Tips.pdf

Table of Contents A Tutorial Qucs Project Quite Universal Circuit Simulator

1. Understanding the eBook A Tutorial Qucs Project Quite Universal Circuit Simulator
 - The Rise of Digital Reading A Tutorial Qucs Project Quite Universal Circuit Simulator
 - Advantages of eBooks Over Traditional Books
2. Identifying A Tutorial Qucs Project Quite Universal Circuit Simulator
 - Exploring Different Genres
 - Considering Fiction vs. Non-Fiction
 - Determining Your Reading Goals
3. Choosing the Right eBook Platform
 - Popular eBook Platforms
 - Features to Look for in an A Tutorial Qucs Project Quite Universal Circuit Simulator
 - User-Friendly Interface
4. Exploring eBook Recommendations from A Tutorial Qucs Project Quite Universal Circuit Simulator

- Personalized Recommendations
 - A Tutorial Qucs Project Quite Universal Circuit Simulator User Reviews and Ratings
 - A Tutorial Qucs Project Quite Universal Circuit Simulator and Bestseller Lists
5. Accessing A Tutorial Qucs Project Quite Universal Circuit Simulator Free and Paid eBooks
 - A Tutorial Qucs Project Quite Universal Circuit Simulator Public Domain eBooks
 - A Tutorial Qucs Project Quite Universal Circuit Simulator eBook Subscription Services
 - A Tutorial Qucs Project Quite Universal Circuit Simulator Budget-Friendly Options
 6. Navigating A Tutorial Qucs Project Quite Universal Circuit Simulator eBook Formats
 - ePub, PDF, MOBI, and More
 - A Tutorial Qucs Project Quite Universal Circuit Simulator Compatibility with Devices
 - A Tutorial Qucs Project Quite Universal Circuit Simulator Enhanced eBook Features
 7. Enhancing Your Reading Experience
 - Adjustable Fonts and Text Sizes of A Tutorial Qucs Project Quite Universal Circuit Simulator
 - Highlighting and Note-Taking A Tutorial Qucs Project Quite Universal Circuit Simulator
 - Interactive Elements A Tutorial Qucs Project Quite Universal Circuit Simulator
 8. Staying Engaged with A Tutorial Qucs Project Quite Universal Circuit Simulator
 - Joining Online Reading Communities
 - Participating in Virtual Book Clubs
 - Following Authors and Publishers A Tutorial Qucs Project Quite Universal Circuit Simulator
 9. Balancing eBooks and Physical Books A Tutorial Qucs Project Quite Universal Circuit Simulator
 - Benefits of a Digital Library
 - Creating a Diverse Reading Collection A Tutorial Qucs Project Quite Universal Circuit Simulator
 10. Overcoming Reading Challenges
 - Dealing with Digital Eye Strain
 - Minimizing Distractions
 - Managing Screen Time
 11. Cultivating a Reading Routine A Tutorial Qucs Project Quite Universal Circuit Simulator
 - Setting Reading Goals A Tutorial Qucs Project Quite Universal Circuit Simulator
 - Carving Out Dedicated Reading Time
 12. Sourcing Reliable Information of A Tutorial Qucs Project Quite Universal Circuit Simulator

- Fact-Checking eBook Content of A Tutorial Qucs Project Quite Universal Circuit Simulator
 - Distinguishing Credible Sources
13. Promoting Lifelong Learning
- Utilizing eBooks for Skill Development
 - Exploring Educational eBooks
14. Embracing eBook Trends
- Integration of Multimedia Elements
 - Interactive and Gamified eBooks

A Tutorial Qucs Project Quite Universal Circuit Simulator Introduction

A Tutorial Qucs Project Quite Universal Circuit Simulator Offers over 60,000 free eBooks, including many classics that are in the public domain. Open Library: Provides access to over 1 million free eBooks, including classic literature and contemporary works. A Tutorial Qucs Project Quite Universal Circuit Simulator Offers a vast collection of books, some of which are available for free as PDF downloads, particularly older books in the public domain. A Tutorial Qucs Project Quite Universal Circuit Simulator : This website hosts a vast collection of scientific articles, books, and textbooks. While it operates in a legal gray area due to copyright issues, its a popular resource for finding various publications. Internet Archive for A Tutorial Qucs Project Quite Universal Circuit Simulator : Has an extensive collection of digital content, including books, articles, videos, and more. It has a massive library of free downloadable books. Free-eBooks A Tutorial Qucs Project Quite Universal Circuit Simulator Offers a diverse range of free eBooks across various genres. A Tutorial Qucs Project Quite Universal Circuit Simulator Focuses mainly on educational books, textbooks, and business books. It offers free PDF downloads for educational purposes. A Tutorial Qucs Project Quite Universal Circuit Simulator Provides a large selection of free eBooks in different genres, which are available for download in various formats, including PDF. Finding specific A Tutorial Qucs Project Quite Universal Circuit Simulator, especially related to A Tutorial Qucs Project Quite Universal Circuit Simulator, might be challenging as theyre often artistic creations rather than practical blueprints. However, you can explore the following steps to search for or create your own Online Searches: Look for websites, forums, or blogs dedicated to A Tutorial Qucs Project Quite Universal Circuit Simulator, Sometimes enthusiasts share their designs or concepts in PDF format. Books and Magazines Some A Tutorial Qucs Project Quite Universal Circuit Simulator books or magazines might include. Look for these in online stores or libraries. Remember that while A Tutorial Qucs Project Quite Universal Circuit Simulator, sharing copyrighted material without permission is not legal. Always ensure youre either creating your own or obtaining them from legitimate sources that allow sharing and downloading. Library Check if your local library offers eBook lending services.

Many libraries have digital catalogs where you can borrow A Tutorial Qucs Project Quite Universal Circuit Simulator eBooks for free, including popular titles. Online Retailers: Websites like Amazon, Google Books, or Apple Books often sell eBooks. Sometimes, authors or publishers offer promotions or free periods for certain books. Authors Website Occasionally, authors provide excerpts or short stories for free on their websites. While this might not be the A Tutorial Qucs Project Quite Universal Circuit Simulator full book, it can give you a taste of the authors writing style. Subscription Services Platforms like Kindle Unlimited or Scribd offer subscription-based access to a wide range of A Tutorial Qucs Project Quite Universal Circuit Simulator eBooks, including some popular titles.

FAQs About A Tutorial Qucs Project Quite Universal Circuit Simulator Books

How do I know which eBook platform is the best for me? Finding the best eBook platform depends on your reading preferences and device compatibility. Research different platforms, read user reviews, and explore their features before making a choice. Are free eBooks of good quality? Yes, many reputable platforms offer high-quality free eBooks, including classics and public domain works. However, make sure to verify the source to ensure the eBook credibility. Can I read eBooks without an eReader? Absolutely! Most eBook platforms offer webbased readers or mobile apps that allow you to read eBooks on your computer, tablet, or smartphone. How do I avoid digital eye strain while reading eBooks? To prevent digital eye strain, take regular breaks, adjust the font size and background color, and ensure proper lighting while reading eBooks. What the advantage of interactive eBooks? Interactive eBooks incorporate multimedia elements, quizzes, and activities, enhancing the reader engagement and providing a more immersive learning experience. A Tutorial Qucs Project Quite Universal Circuit Simulator is one of the best book in our library for free trial. We provide copy of A Tutorial Qucs Project Quite Universal Circuit Simulator in digital format, so the resources that you find are reliable. There are also many Ebooks of related with A Tutorial Qucs Project Quite Universal Circuit Simulator. Where to download A Tutorial Qucs Project Quite Universal Circuit Simulator online for free? Are you looking for A Tutorial Qucs Project Quite Universal Circuit Simulator PDF? This is definitely going to save you time and cash in something you should think about. If you trying to find then search around for online. Without a doubt there are numerous these available and many of them have the freedom. However without doubt you receive whatever you purchase. An alternate way to get ideas is always to check another A Tutorial Qucs Project Quite Universal Circuit Simulator. This method for see exactly what may be included and adopt these ideas to your book. This site will almost certainly help you save time and effort, money and stress. If you are looking for free books then you really should consider finding to assist you try this. Several of A Tutorial Qucs Project Quite Universal Circuit Simulator are for sale to free while some are payable. If you arent sure if the books you would like to download works with for usage along with

your computer, it is possible to download free trials. The free guides make it easy for someone to free access online library for download books to your device. You can get free download on free trial for lots of books categories. Our library is the biggest of these that have literally hundreds of thousands of different products categories represented. You will also see that there are specific sites catered to different product types or categories, brands or niches related with A Tutorial Qucs Project Quite Universal Circuit Simulator. So depending on what exactly you are searching, you will be able to choose e books to suit your own need. Need to access completely for Campbell Biology Seventh Edition book? Access Ebook without any digging. And by having access to our ebook online or by storing it on your computer, you have convenient answers with A Tutorial Qucs Project Quite Universal Circuit Simulator To get started finding A Tutorial Qucs Project Quite Universal Circuit Simulator, you are right to find our website which has a comprehensive collection of books online. Our library is the biggest of these that have literally hundreds of thousands of different products represented. You will also see that there are specific sites catered to different categories or niches related with A Tutorial Qucs Project Quite Universal Circuit Simulator So depending on what exactly you are searching, you will be able to choose ebook to suit your own need. Thank you for reading A Tutorial Qucs Project Quite Universal Circuit Simulator. Maybe you have knowledge that, people have search numerous times for their favorite readings like this A Tutorial Qucs Project Quite Universal Circuit Simulator, but end up in harmful downloads. Rather than reading a good book with a cup of coffee in the afternoon, instead they juggled with some harmful bugs inside their laptop. A Tutorial Qucs Project Quite Universal Circuit Simulator is available in our book collection an online access to it is set as public so you can download it instantly. Our digital library spans in multiple locations, allowing you to get the most less latency time to download any of our books like this one. Merely said, A Tutorial Qucs Project Quite Universal Circuit Simulator is universally compatible with any devices to read.

Find A Tutorial Qucs Project Quite Universal Circuit Simulator :

*62-2459 real estate investing tips USA 62-240 real estate investing tips
business-automation-ideas-America 62-2053 business-automation-ideas-for
**development blueprint for creators 62-268 chatbot development blueprint
strategy apps America 62-1877 SEO strategy apps America 62-634 SEO
strategy guide United States 62-1135 SEO strategy guide United States
62-2426 luxury travel case study United States 62-2405 luxury travel
sustainable living examples USA 62-2781 sustainable living examples for
**guide USA 62-1539 freelancing online guide USA 62-2935 freelancing
business 62-2880 remote jobs checklist for creators 62-2225 remote jobs*****

[apps for creators 62-1633 productivity hacks best practices for startups](#)
travel tips comparison United States 62-2700 travel tips comparison for
[ecommerce trends apps USA 62-1112 ecommerce trends apps USA 62-35](#)
[blockchain development tips for startups 62-1043 blockchain development](#)
wellness for beginners USA 62-1474 mental wellness for beginners for
[checklist for startups 62-738 healthy recipes comparison USA 62-1769](#)

A Tutorial Qucs Project Quite Universal Circuit Simulator :

[prenticehallnuclearchemistryanswerspracticeproblems book](#) - Mar 29 2022

web feb 24 2023 you goal to download and install the prentice hall nuclear chemistry answers practice problems it is extremely easy then in the past currently we extend

[chapter 25 nuclear chemistry 25 2 nuclear transformations](#) - Feb 08 2023

web identify the lessons in prentice hall s nuclear chemistry chapter with which you need help find the corresponding video lessons with this companion course chapter

chemistry the physical setting 1st edition solutions and - Apr 10 2023

web chemistry 1110 chapter 5 nuclear chemistry practice problems page 4 17 a nuclear equation is balanced when a the same elements are found on both sides of the

[prentice hall nuclear chemistry answers practice problems](#) - Jul 01 2022

web 1 write a nuclear equation for the alpha decay of $^{231}_{91}\text{Pa}$ $^{227}_{89}\text{Ac}$ $^{231}_{91}\alpha$ 2 write a nuclear equation for the beta decay of $^{223}_{87}\text{Fr}$ $^{223}_{88}\text{Ra}$ $^{231}_{87}\text{Fr}$

prentice hall chemistry pearson - Sep 03 2022

web merely said the prentice hall nuclear chemistry answers practice problems is universally compatible similar to any devices to read 3 000 solved problems in

[nuclear chemistry practice problems usu](#) - Mar 09 2023

web chemistry 12th edition answers to chapter 25 nuclear chemistry 25 2 nuclear transformations sample problem 25 1 page 884 9 including work step by step

7 e nuclear chemistry practice problems with answers - Aug 14 2023

web jan 10 2021 what are the two principal differences between nuclear reactions and ordinary chemical changes q21 2 8 the mass of the atom $^{11}_{23}\text{Na}$ is 22 9898

[chemistry guided reading and study workbook](#) - Jul 13 2023

web prentice hall chemistry chapter 25 nuclear chemistry chapter exam free practice test instructions choose your answer to the question and click continue to see how

nuclear chemistry quizzes questions answers proprofs - May 31 2022

web prentice hall nuclear chemistry answers practice problems downloaded from staging friends library org on november 16 2022 by guest acids and bases oxidation and

nuclear chemistry questions practice questions of nuclear - Aug 02 2022

web mar 21 2023 so whether you re a budding scientist a curious learner or just someone who loves a good brain teaser nuclear chemistry quizzes trivia will keep you

ch 25 prentice hall chemistry chapter 25 nuclear - Jan 07 2023

web sep 8 2023 chapter 24 practice test practice test prentice hall chemistry chapter 24 the chemistry of life ch 25 prentice hall chemistry chapter 25 nuclear chemistry

10 1 practice problems prentice hall chemistry answers - Oct 24 2021

prentice hall chemistry chapter 1 introduction to chemistry - Feb 25 2022

web merely said the prentice hall chemistry formula practice problems answers is universally compatible taking into consideration any devices to read prentice hall

prentice hall chemistry chapter 9 chemical names and - Sep 22 2021

prentice hall chemistry tennessee student edition quizlet - May 11 2023

web our resource for chemistry the physical setting includes answers to chapter exercises as well as detailed information to walk you through the process step by step with expert

prentice hall chemistry formula practice problems answers - Dec 26 2021

web we come up with the money for 10 1 practice problems prentice hall chemistry answers and numerous book collections from fictions to scientific research in any way in the

prentice hall chemistry online textbook help study com - Dec 06 2022

web find step by step solutions and answers to chemistry 9780131152625 as well as thousands of textbooks so you can move forward with confidence fresh features from

chemistry 1st edition solutions and answers quizlet - Oct 04 2022

web nuclear chemistry questions and answers practice questions mcqs pyqs ncert questions question bank class 11 and class 12 questions ncert exemplar

[prentice hall chemistry chapter 25 nuclear chemistry practice](#) - Jun 12 2023

web find step by step solutions and answers to prentice hall chemistry tennessee student edition 9780133614589 as well as thousands of textbooks so you can move forward

answer key for prentice hall chemistry copy harvard university - Nov 24 2021

web test and improve your knowledge of prentice hall chemistry chapter 9 chemical names and formulas with fun multiple choice exams you can take online with study com

[prentice hall chemistry free download borrow and](#) - Nov 05 2022

web recognizing the need for math support prentice hall chemistry integrates mathematics instruction throughout the program and gives students ample opportunities to practice

[prentice hall nuclear chemistry answers practice problems](#) - Jan 27 2022

web on problem solving skills it stresses the fundamental concepts of chemical analysis and through examples from current journals and other science media shows how the

[11 3 practice problems answers chemistry prentice hall gitlab](#) - Apr 29 2022

web question 1 1 which of the following is the equation to solve the following word problem sam has 4 red balloons and 8 purple balloons judy has 12 red balloons and 4 orange

temporary people depicts the lives of guest workers in the uae - Feb 10 2023

web mar 14 2017 temporary people depicts the lives of guest workers in the uae novelist deepak unnikrishnan tells tales of people from elsewhere who live as perpetual foreigners often in fear with

pdf temporary people by deepak unnikrishnan academia edu - Jun 14 2023

web deepak unnikrishnan s temporary people is a riveting debut collection of twenty eight short stories written in a mélange of stylistic registers fiction unnikrishnan writes has barely addressed the so called guest workers of the arabian gulf divided into three parts limbs tongue and home temporary people

[stories of fragmented lives in the emirates the new york times](#) - Jan 09 2023

web mar 24 2017 temporary people explores the lives of arguably the least privileged class of nomads in the 21st century guest workers

temporary people restless books - Mar 11 2023

web nov 28 2017 temporary people explores the lives of arguably the least privileged class of nomads in the twenty first century guest workers

temporary people by deepak unnikrishnan world literature - Jul 15 2023

web temporary people is thus an attempt to take note to provide narrative and figurative shape to pasts bodies tongues and

homes that conditions of temporariness dismember and render spectral the ghoulish quality of the tales is however counterbalanced by unexpected and sometimes magical correspondences between people animals and

temporary people by deepak unnikrishnan goodreads - Oct 18 2023

web mar 14 2017 6 books66 followers deepak unnikrishnan is a writer from abu dhabi and a resident of the states who has lived in teaneck new jersey brooklyn new york and chicago illinois he has studied and taught at the art institute of chicago and presently teaches at new york university abu dhabi

temporary people by deepak unnikrishnan purple pencil project - Apr 12 2023

web divided into three parts or books titled limbs tongue flesh and veed temporary people is an anthology of distended stories of different people all of whom inhabit the same plane unnikrishnan s style of narration reminds one of kafka and murakami in the same breath we encourage you to buy books from a local bookstore

reviews for immigrant prize winner deepak unnikrishnan s temporary people - May 13 2023

web apr 6 2017 temporary people 19 00 by deepak unnikrishnan winner of the restless books prize for new immigrant writing winner of the hindu prize best books of 2017 booklist kirkus san francisco chronicle

temporary people by deepak unnikrishnan - Sep 17 2023

web may 9 2017 temporary people deepak unnikrishnan restless books march 2017 what does it mean to be a pravasi unnikrishnan does not provide a definitive answer the final chapter indeed is in its entirety pravasis there isn t a question mark although the reader is surely bound to see one

a review of temporary people by deepak unnikrishnan - Aug 16 2023

web sep 4 2017 deepak unnikrishnan s debut work of fiction temporary people weaves together twenty eight linked short stories that explore the wretched experiences encountered by immigrant laborers hailing predominantly from the asian subcontinent according to unnikrishnan 80 of the population in the uae are foreign nationals

13 the scandals and heresies of john xxiii vaticancatholic com - Sep 19 2023

of john xxiii 1 john xxiii angelo roncalli the man who called vatican ii and claimed to be pope from 1958 1963 let s examine some of the facts about angelo roncalli john xxiii angelo roncalli was born in 1881 and held diplomatic posts in bulgaria turkey and france roncalli was also patriarch of venice

13 the scandals and heresies of john xxiii download only - Jul 17 2023

13 the scandals and heresies of john xxiii downloaded from design bluesquare org by guest mckee kaiya the history of heresies and their refutation translated by john t mullock brill book 1 p 1 229 ha anus shel ha tevunah the marrano of reason appeared in english as spinoza and other heretics vol 1 the marrano of reason

13 the scandals and heresies of john xxiii pdf uniport edu - Feb 12 2023

jun 3 2023 scientific research in any way along with them is this 13 the scandals and heresies of john xxiii that can be your partner a topical index to the rev thomas scott s commentary on the holy scriptures

13 the scandals and heresies of john xxiii copy uniport edu - Jan 31 2022

aug 4 2023 13 the scandals and heresies of john xxiii 2 6 downloaded from uniport edu ng on august 4 2023 by guest the scandal of the scandals manfred lütz m d 2020 04 30 mahatma gandhi once chided a christian friend all you christians missionaries and all must begin to live more like jesus christ and what christian among us would disagree with him

13 günah 13 sins filmi sinemalar com - Dec 10 2022

13 günah film konusu genç ve cesur ancak maddi sıkıntılar yaşayan bir satıcı olan elliot brindle mark webber bir gün arabasında giderken tuhaf bir telefon alır kendisini gizli kamerayla izleyen bir televizyon programında olduğu ve bildirilen 13 görevi tamamlayabilirse 6 2 milyon lık ödüle hemen sahip olacağı söylenir

scandals heresies of antipope john xxiii issuu - Oct 08 2022

dec 20 2010 13 the scandals and heresies of john xxiii yves marsaudon 33rd degree scottish rite freemason the sense of universalism that is rampant in rome these days is very close to our purpose for

13 the scandals and heresies of john xxiii pdf - Apr 14 2023

13 the scandals and heresies of john xxiii heresy may 07 2021 in heresy leading religion expert and church historian alister mcgrath reveals the surprising history of heresy and rival forms of christianity arguing that the church must continue to

13 the scandals and heresies of john xxiii pdf uniport edu - Jun 04 2022

may 18 2023 13 the scandals and heresies of john xxiii is available in our book collection an online access to it is set as public so you can get it instantly our books collection spans in multiple locations allowing you to get the most

13 the scandals and heresies of john xxiii pdf - May 15 2023

reverberate around the world the story of pope john xxiii nov 23 2021 pope john xxiii dec 01 2019 pope john xxiii jan 06 2023

the author s trademark blend of profound insight and extensive knowledge provides a fascinating history of the catholic church and the papacy by focusing on angelo giuseppe roncalli as pope john

13 the scandals and heresies of john xxiii tracy fessenden - Jul 05 2022

costs its virtually what you obsession currently this 13 the scandals and heresies of john xxiii as one of the most functional sellers here will very be among the best options to review the nuns of sant ambrogio hubert wolf 2015 01 13 a true never

before told story discovered in a secret vatican archive of

13 the scandals and heresies of john xxiii james wood 2023 - Sep 07 2022

13 the scandals and heresies of john xxiii 13 the scandals and heresies of john xxiii 2 downloaded from rjonline org on 2021 01 25 by guest the 1790s william cobbett benjamin franklin bache philip freneau noah webster john fenno and william duane

scandal and civility moves beyond the

13 the scandals and heresies of john xxiii 2023 fkw law - Jun 16 2023

13 the scandals and heresies of john xxiii martin luther and the seven sacraments brian c brewer 2017 10 03 this introduction to martin luther s sacramental theology addresses a central question in the life of the church and in ecumenical dialogue although luther famously reduced the sacraments from seven to two baptism and the lord s supper

gerÇek cġnayet hġkayeleri bġlüm 13 belgeselx com - Jan 11 2023

dec 28 2017 gerÇek cġnayet hġkayeleri bġlüm 13 her cinayet bir ġpucu her ġpucu bir hikaye anlatır gerÇek cinayet hikayeleri her bġlümüyle izleyiciyi ekrana kilitlemeye hazırlanıyor yönetmenliğini ve yapımcılığını hakan kerim karademir in üstlendiği proje tasarımını onur Özcan nın yaptığı gerÇek cinayet hikayeleri bilindik belgesel kalıplarının

13 the scandals and heresies of john xxiii malachi martin - Aug 18 2023

it will certainly ease you to look guide 13 the scandals and heresies of john xxiii as you such as by searching the title publisher or authors of guide you really want you can discover them rapidly in the house workplace or perhaps in your method can be every best place within net connections if you mean to download and install the 13

13 the scandals and heresies of john xxiii karl keating book - Aug 06 2022

13 the scandals and heresies of john xxiii when somebody should go to the book stores search launch by shop shelf by shelf it is in fact problematic this is why we provide the ebook compilations in this website it will completely ease you to look guide 13 the scandals and heresies of john xxiii as you such as

13 the scandals and heresies of john xxiii copy - Mar 13 2023

13 the scandals and heresies of john xxiii light from the east may 25 2020 in this unique volume a new and distinctive perspective on hotly debated issues in science and religion emerges from the unlikely ancient eastern orthodox christian tradition alexei nesteruk reveals how the orthodox tradition deeply rooted in greek patristic thought

13 the scandals and heresies of john xxiii pdf uniport edu - May 03 2022

mar 14 2023 13 the scandals and heresies of john xxiii 1 6 downloaded from uniport edu ng on march 14 2023 by guest 13 the scandals and heresies of john xxiii eventually you will unquestionably discover a other experience and carrying out by spending more cash nevertheless when pull off you give a positive response that you require to acquire those every

handelingen 13 nieuwe testament statenvertaling - Nov 09 2022

handelingen 13 1 en er waren te antiochië in de gemeente die daar was enige profeten en leraars namelijk barnabas en simeon genaamd niger en lucius van cyrene en manahen die met herodes den viervorst opgevoed was en saulus 2 en als zij den heere dienden en vastten zeide de heilige geest zondert mij af beiden barnabas en saulus

13 the scandals and heresies of john xxiii vdocuments mx - Mar 01 2022

jan 4 2017 13 the scandals and heresies of john xxiii yves marsaudon 33rd degree scottish rite freemason the sense of universalism that is rampant in rome these days is very close to our purpose for existence with all our hearts we support the revolution of john xxiii 1

13 the scandals and heresies of john xxiii pdf uniport edu - Apr 02 2022

jul 19 2023 13 the scandals and heresies of john xxiii 2 9 downloaded from uniport edu ng on july 19 2023 by guest christian theologian born in asia minor in about 130 a d he became bishop of lyons and died as a martyr early in the third century his main work adversus haereses against the heresies is as relevant today as it was eighteen hundred