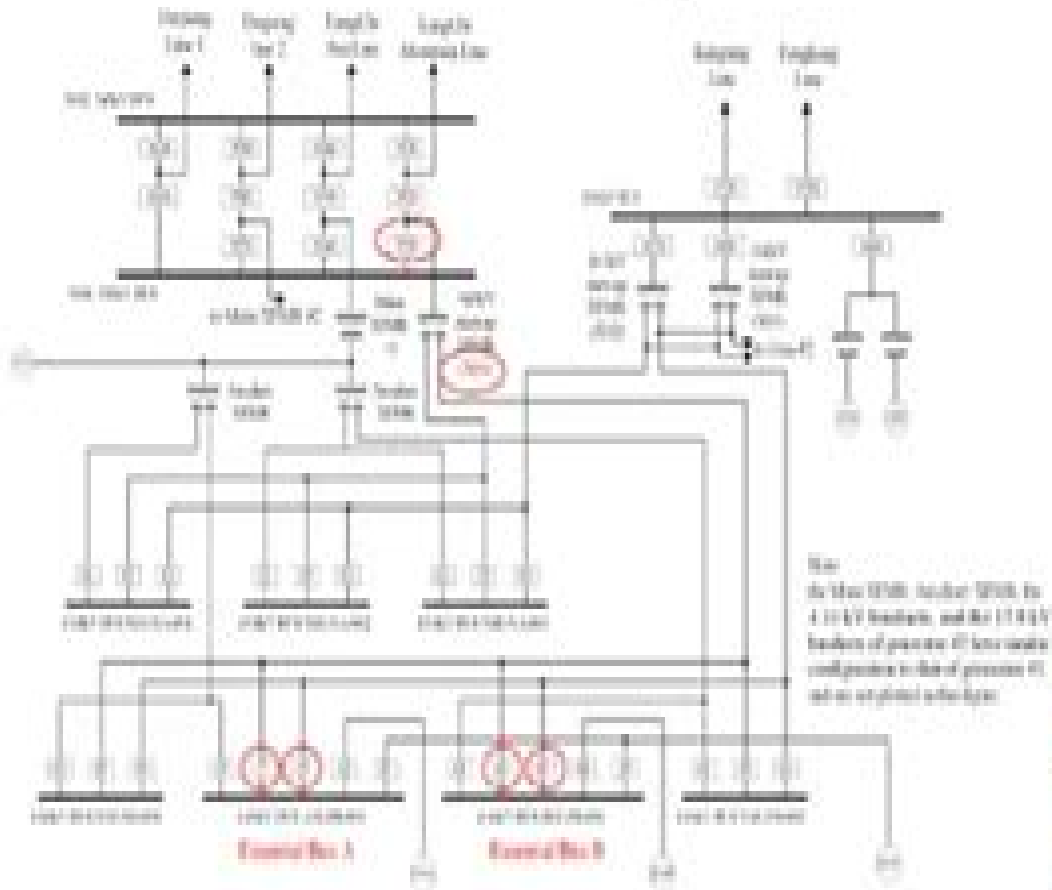


Power System Protection Systems



Basic connection diagram of protection relay



Electrical 4 U

Power Systems Protection Engineering Training Idc

Didier Musso



Power Systems Protection Engineering Training Idc:

Power Systems Protection, Power Quality , Practical Power System Protection Leslie Hewitson, Mark Brown, Ramesh Balakrishnan, 2005-02-28 Designed to increase understanding on a practical and theoretical basis this invaluable resource provides engineers plant operators electricians and technicians with a thorough grounding in the principles and practicalities behind power system protection Coverage of the fundamental knowledge needed to specify use and maintain power protection systems is included helping readers to increase plant efficiency performance and safety Consideration is also given to the practical techniques and engineering challenges encountered on a day to day basis making this an essential resource for all

Telecommunication Economics Antonis M. Hadjiantonis, Burkhard Stiller, 2012-04-27 This book constitutes a collaborative and selected documentation of the scientific outcome of the European COST Action IS0605 Econ Tel A Telecommunications Economics COST Network which run from October 2007 to October 2011 Involving experts from around 20 European countries the goal of Econ Tel was to develop a strategic research and training network among key people and organizations in order to enhance Europe s competence in the field of telecommunications economics Reflecting the organization of the COST Action IS0605 Econ Tel in working groups the following four major research areas are addressed evolution and regulation of communication ecosystems social and policy implications of communication technologies economics and governance of future networks future networks management architectures and mechanisms

Personal Computers and Digital Signal Processing , Formulas and Conversions , Communications, Industrial Networking and TCP/IP , 2012 **Practical Power Systems Protection for Engineers and Technicians** , 200? **IEEE Industrial & Commercial Power Systems Technical Conference** , 1984 *Electric Light and Power* , 1948 *The Journal of the Chartered Institution of Building Services* Chartered Institution of Building Services, 1983 **Building Services** , 1985-05 *ASHRAE Journal* , 1992 *IEEE Conference Record of ... Industrial and Commercial Power Systems Technical Conference* , 1984 *UNDOC, Current Index* , 1996 **IEEE Membership Directory** Institute of Electrical and Electronics Engineers, 2001 **Subject Guide to Microforms in Print** Albert James Diaz, 1977 Scientific and Technical Organizations and Agencies Directory Peter D. Dresser, 1994 *Thomas Register* , 2004 *Western Electrician* , 1894 The Engineer , 1916

Embark on a breathtaking journey through nature and adventure with is mesmerizing ebook, Natureis Adventure: **Power Systems Protection Engineering Training Idc** . This immersive experience, available for download in a PDF format (PDF Size: *), transports you to the heart of natural marvels and thrilling escapades. Download now and let the adventure begin!

https://py.bijouxmedusa.com/files/Resources/default.aspx/97_1445_AI_Tools_For_Beginners_USA_97_2835_AI_Tools_For_Beginners_For.pdf

Table of Contents Power Systems Protection Engineering Training Idc

1. Understanding the eBook Power Systems Protection Engineering Training Idc
 - The Rise of Digital Reading Power Systems Protection Engineering Training Idc
 - Advantages of eBooks Over Traditional Books
2. Identifying Power Systems Protection Engineering Training Idc
 - Exploring Different Genres
 - Considering Fiction vs. Non-Fiction
 - Determining Your Reading Goals
3. Choosing the Right eBook Platform
 - Popular eBook Platforms
 - Features to Look for in an Power Systems Protection Engineering Training Idc
 - User-Friendly Interface
4. Exploring eBook Recommendations from Power Systems Protection Engineering Training Idc
 - Personalized Recommendations
 - Power Systems Protection Engineering Training Idc User Reviews and Ratings
 - Power Systems Protection Engineering Training Idc and Bestseller Lists
5. Accessing Power Systems Protection Engineering Training Idc Free and Paid eBooks
 - Power Systems Protection Engineering Training Idc Public Domain eBooks
 - Power Systems Protection Engineering Training Idc eBook Subscription Services
 - Power Systems Protection Engineering Training Idc Budget-Friendly Options

6. Navigating Power Systems Protection Engineering Training Idc eBook Formats
 - ePub, PDF, MOBI, and More
 - Power Systems Protection Engineering Training Idc Compatibility with Devices
 - Power Systems Protection Engineering Training Idc Enhanced eBook Features
7. Enhancing Your Reading Experience
 - Adjustable Fonts and Text Sizes of Power Systems Protection Engineering Training Idc
 - Highlighting and Note-Taking Power Systems Protection Engineering Training Idc
 - Interactive Elements Power Systems Protection Engineering Training Idc
8. Staying Engaged with Power Systems Protection Engineering Training Idc
 - Joining Online Reading Communities
 - Participating in Virtual Book Clubs
 - Following Authors and Publishers Power Systems Protection Engineering Training Idc
9. Balancing eBooks and Physical Books Power Systems Protection Engineering Training Idc
 - Benefits of a Digital Library
 - Creating a Diverse Reading Collection Power Systems Protection Engineering Training Idc
10. Overcoming Reading Challenges
 - Dealing with Digital Eye Strain
 - Minimizing Distractions
 - Managing Screen Time
11. Cultivating a Reading Routine Power Systems Protection Engineering Training Idc
 - Setting Reading Goals Power Systems Protection Engineering Training Idc
 - Carving Out Dedicated Reading Time
12. Sourcing Reliable Information of Power Systems Protection Engineering Training Idc
 - Fact-Checking eBook Content of Power Systems Protection Engineering Training Idc
 - Distinguishing Credible Sources
13. Promoting Lifelong Learning
 - Utilizing eBooks for Skill Development
 - Exploring Educational eBooks
14. Embracing eBook Trends
 - Integration of Multimedia Elements

- Interactive and Gamified eBooks

Power Systems Protection Engineering Training Idc Introduction

Power Systems Protection Engineering Training Idc Offers over 60,000 free eBooks, including many classics that are in the public domain. Open Library: Provides access to over 1 million free eBooks, including classic literature and contemporary works. Power Systems Protection Engineering Training Idc Offers a vast collection of books, some of which are available for free as PDF downloads, particularly older books in the public domain. Power Systems Protection Engineering Training Idc : This website hosts a vast collection of scientific articles, books, and textbooks. While it operates in a legal gray area due to copyright issues, its a popular resource for finding various publications. Internet Archive for Power Systems Protection Engineering Training Idc : Has an extensive collection of digital content, including books, articles, videos, and more. It has a massive library of free downloadable books. Free-eBooks Power Systems Protection Engineering Training Idc Offers a diverse range of free eBooks across various genres. Power Systems Protection Engineering Training Idc Focuses mainly on educational books, textbooks, and business books. It offers free PDF downloads for educational purposes. Power Systems Protection Engineering Training Idc Provides a large selection of free eBooks in different genres, which are available for download in various formats, including PDF. Finding specific Power Systems Protection Engineering Training Idc, especially related to Power Systems Protection Engineering Training Idc, might be challenging as theyre often artistic creations rather than practical blueprints. However, you can explore the following steps to search for or create your own Online Searches: Look for websites, forums, or blogs dedicated to Power Systems Protection Engineering Training Idc, Sometimes enthusiasts share their designs or concepts in PDF format. Books and Magazines Some Power Systems Protection Engineering Training Idc books or magazines might include. Look for these in online stores or libraries. Remember that while Power Systems Protection Engineering Training Idc, sharing copyrighted material without permission is not legal. Always ensure youre either creating your own or obtaining them from legitimate sources that allow sharing and downloading. Library Check if your local library offers eBook lending services. Many libraries have digital catalogs where you can borrow Power Systems Protection Engineering Training Idc eBooks for free, including popular titles. Online Retailers: Websites like Amazon, Google Books, or Apple Books often sell eBooks. Sometimes, authors or publishers offer promotions or free periods for certain books. Authors Website Occasionally, authors provide excerpts or short stories for free on their websites. While this might not be the Power Systems Protection Engineering Training Idc full book , it can give you a taste of the authors writing style. Subscription Services Platforms like Kindle Unlimited or Scribd offer subscription-based access to a wide range of Power Systems Protection Engineering Training Idc eBooks, including some popular titles.

FAQs About Power Systems Protection Engineering Training Idc Books

What is a Power Systems Protection Engineering Training Idc PDF? A PDF (Portable Document Format) is a file format developed by Adobe that preserves the layout and formatting of a document, regardless of the software, hardware, or operating system used to view or print it. **How do I create a Power Systems Protection Engineering Training Idc PDF?** There are several ways to create a PDF: Use software like Adobe Acrobat, Microsoft Word, or Google Docs, which often have built-in PDF creation tools. Print to PDF: Many applications and operating systems have a "Print to PDF" option that allows you to save a document as a PDF file instead of printing it on paper. Online converters: There are various online tools that can convert different file types to PDF. **How do I edit a Power Systems Protection Engineering Training Idc PDF?** Editing a PDF can be done with software like Adobe Acrobat, which allows direct editing of text, images, and other elements within the PDF. Some free tools, like PDFescape or Smallpdf, also offer basic editing capabilities. **How do I convert a Power Systems Protection Engineering Training Idc PDF to another file format?** There are multiple ways to convert a PDF to another format: Use online converters like Smallpdf, Zamzar, or Adobe Acrobat's export feature to convert PDFs to formats like Word, Excel, JPEG, etc. Software like Adobe Acrobat, Microsoft Word, or other PDF editors may have options to export or save PDFs in different formats. **How do I password-protect a Power Systems Protection Engineering Training Idc PDF?** Most PDF editing software allows you to add password protection. In Adobe Acrobat, for instance, you can go to "File" -> "Properties" -> "Security" to set a password to restrict access or editing capabilities. Are there any free alternatives to Adobe Acrobat for working with PDFs? Yes, there are many free alternatives for working with PDFs, such as: LibreOffice: Offers PDF editing features. PDFsam: Allows splitting, merging, and editing PDFs. Foxit Reader: Provides basic PDF viewing and editing capabilities. How do I compress a PDF file? You can use online tools like Smallpdf, ILovePDF, or desktop software like Adobe Acrobat to compress PDF files without significant quality loss. Compression reduces the file size, making it easier to share and download. Can I fill out forms in a PDF file? Yes, most PDF viewers/editors like Adobe Acrobat, Preview (on Mac), or various online tools allow you to fill out forms in PDF files by selecting text fields and entering information. Are there any restrictions when working with PDFs? Some PDFs might have restrictions set by their creator, such as password protection, editing restrictions, or print restrictions. Breaking these restrictions might require specific software or tools, which may or may not be legal depending on the circumstances and local laws.

Find Power Systems Protection Engineering Training Idc :

97-1445 AI tools for beginners USA 97-2835 AI tools for beginners for business 97-185 travel tips tutorial for startups 97-2074 wearable

examples for startups 97-2639 small business ideas explained America

organization step by step for startups 97-825 home organization

ideas USA 97-1741 electric vehicles ideas for entrepreneurs 97-99

learning basics strategies United States 97-1089 machine learning basics

trends for small business 97-1880 electric vehicles tutorial USA 97-2769

study USA 97-894 stock market checklist USA 97-1296 stock market

beginners USA 97-2300 remote jobs for beginners USA 97-2735 remote jobs

for startups 97-1516 smart home tech tips America 97-1989 smart home

small business 97-1652 blog monetization tips for small business 97-445

97-2898 fitness routines case study United States 97-46 fitness routines

97-511 mobile app ideas comparison United States 97-1961 mobile app

business 97-2369 mental wellness best practices for creators 97-2632

tutorial for startups 97-2478 blockchain development apps USA 97-2482

Power Systems Protection Engineering Training Idc :

fuorigioco a berlino recensione e trama del libro dafne club - Feb 02 2022

web mar 29 2021 fuorigioco a berlino un romanzo di amicizia e gioco di squadra città di berlino anno 1961 leo e la sua squadra di calcio sono arrivati in semifinale nel torneo di kindheimplatz la piazza dove si svolgono da sempre le partite la squadra è capitanata da franz un bravissimo calciatore a cui leo felix e martin sono molto affezionati

fuorigioco a berlino colibrì tapa blanda 21 mayo 2021 - Jun 06 2022

web fuorigioco a berlino è il primo romanzo per ragazzi di christian antonini un romanzo di avventura ribellione all'oppressione sullo sfondo storico della germania divisa dalla cortina di ferro berlino estate del 1961 leo e la sua squadra stanno per affrontare la finale che deciderà i vincitori del torneo di calcio per il controllo

fuorigioco a berlino christian antonini libro mondadori store - Mar 03 2022

web apr 6 2016 fuorigioco a berlino christian antonini pubblicato da giunti editore dai un voto prezzo online 9 90 disponibile in 2 3 giorni la disponibilità è espressa in giorni lavorativi e fa riferimento ad un singolo pezzo 20 punti carta payback seguici su

fuorigioco a berlino giunti - Aug 20 2023

web fuorigioco a berlino è il primo romanzo per ragazzi di christian antonini un romanzo di avventura ribellione all'oppressione sullo sfondo storico della germania divisa dalla cortina di ferro berlino estate del 1961 leo e la sua squadra

stanno per affrontare la finale che deciderà i vincitori del torneo di calcio per il controllo della piazzetta dove tutti i ragazzi
recensione 61 fuorigioco a berlino di christian antonini - Jul 07 2022

web apr 14 2020 autore christian antonini titolo fuorigioco a berlino editore giunti data di pubblicazione 6 aprile 2016
pagine 256 un romanzo di avventura ribellione all oppressione sullo sfondo storico della germania divisa dalla cortina di ferro
berlino estate del 1961 leo e la sua squadra stanno per affrontare la finale che deciderà i
[fuorigioco a berlino christian antonini google books](#) - Jan 13 2023

web un romanzo di avventura ribellione all oppressione sullo sfondo storico della germania divisa dalla cortina di ferro
berlino estate del 1961 leo e la sua squadra stanno per affrontare la finale che deciderà i vincitori del torneo di calcio per il
controllo della piazzetta dove tutti i ragazzi della città che provengano da ovest o da est si ritrovano a giocare
fuorigioco a berlino di christian antonini youkid - Apr 16 2023

web may 4 2016 fuorigioco a berlino è un libro che unisce in sé non solo la voglia di rivalsa e di vincere ma anche la
necessità di unire le forze andando oltre alle apparenze alle difficoltà e alle antipatie lo sport e la competizione l amicizia ma
anche il bullismo la cappa di una situazione ai limiti creano una tensione serpeggiante che tiene

fuorigioco a berlino christian antonini libro giunti editore - Jun 18 2023

web fuorigioco a berlino è un libro di christian antonini pubblicato da giunti editore nella collana colibrì acquista su ibs a 9
90

berlino wikipedia - Aug 08 2022

web berlino afi ber'line in tedesco berlin bee 'li:n ascolta i è la capitale e maggiore città della germania città land e sede del
governo tedesco è uno dei più importanti centri politici culturali scientifici fieristici economici commerciali e mediatici del
mondo ed è anche il comune più popoloso dell unione europea con 3 721 459 abitanti

fuorigioco a berlino di antonini christian bookdealer - Oct 10 2022

web apr 6 2016 fuorigioco a berlino editore giunti editore reparto letteratura per ragazzi berlino estate del 1961 leo e la sua
squadra stanno per affrontare la finale che deciderà i vincitori del torneo di calcio per il controllo della piazzetta dove tutti i
ragazzi della città che provengano da ovest o da est si ritrovano a giocare

trama libro fuorigioco a berlino di christian antonini - May 17 2023

web apr 11 2016 trama libro fuorigioco a berlino fuorigioco a berlino racconta una storia ambientata nella città tedesca nel
1961 anno che vede la dolorosa nascita del muro di berlino che divide la popolazione creando difficoltà e oppressione fino al
1989 i bambini ancora ignari del triste destino che li attende si stanno organizzando per giocare in una

amazon it fuorigioco a berlino antonini christian libri - Jul 19 2023

web fuorigioco a berlino è il primo romanzo per ragazzi di christian antonini un romanzo di avventura ribellione all

oppressione sullo sfondo storico della germania divisa dalla cortina di ferro berlino estate del 1961 leo e la sua squadra stanno per affrontare la finale che deciderà i vincitori del torneo di calcio per il controllo

[frullibrio fuorigioco a berlino youtube](#) - Nov 11 2022

web fuorigioco a berlino di christian antonini un giorno di sole dal cielo striato di nuvole sono tornata in un campetto di calcio erano anni che non mettevo pi

[fuorigioco a berlino christian antonini libraccio it](#) - Apr 04 2022

web fuorigioco a berlino è un libro scritto da christian antonini pubblicato da giunti editore nella collana colibrì libraccio it berlino estate del 1961 leo e la sua squadra stanno per affrontare la finale che deciderà i vincitori del torneo di calcio per il controllo della piazzetta dove tutti i ragazzi della città che provengono da

fuorigioco a berlino - May 05 2022

web fuorigioco a berlino 3 3 dividere una città e due mondi unendo però i cuori di un gruppo di ragazzi in un'avventura unica berlino estate del 1961 leo e la sua squadra stanno per affrontare la finale che deciderà i vincitori del torneo di calcio per il controllo della piazzetta dove tutti i ragazzi della città che provengono da ovest o

[schedatura fuorigioco a berlino sintesi del corso di italiano](#) - Dec 12 2022

web dec 18 2022 scarica schedatura fuorigioco a berlino e più sintesi del corso in pdf di italiano solo su docsity schedatura di un libro nome dell'autore christian antonini titolo del libro fuorigioco a berlino casa editrice giunti anno di pubblicazione 2016 1 genere del libro È un romanzo d'avventura 2

fuorigioco a berlino ebook by christian antonini rakuten kobo - Sep 09 2022

web leggi fuorigioco a berlino di christian antonini disponibile su rakuten kobo un torneo di calcetto una giovane bomber con le lentiggini una città che sta cambiando ecco gli ingredienti di un rom

[fuorigioco a berlino antonini christian ebook libreria ibs](#) - Feb 14 2023

web fuorigioco a berlino è un ebook di antonini christian pubblicato da giunti junior nella collana colibrì a 4 99 il file è in formato epub2 con adobe drm risparmia online con le offerte ibs

[fuorigioco a berlino christian antonini mondadori store](#) - Jan 01 2022

web un torneo di calcetto una giovane bomber con le lentiggini una città che sta cambiando ecco gli ingredienti di un romanzo che racconta come in una notte venne costruito un muro destinato a dividere una città e due mondi unendo però i cuori di un gruppo di ragazzi in un'avventura unica berlino estate del 1961

fuorigioco a berlino giunti scuola - Mar 15 2023

web aug 4 2016 fuorigioco a berlino fuorigioco a berlino è un romanzo di avventura e di ribellione inserito nel contesto storico della germania divisa dal grande muro una storia emozionante in cui un gruppo di ragazzi trova il coraggio di lottare

per la propria libertà e i propri sogni l autore christian antonini si presenta e legge ai bambini una [neesima jo no kirisutokyo shiso japanese edition](#) - Feb 18 2022

web neesima jo no kirisutokyo shiso japanese edition right here we have countless books neesima jo no kirisutokyo shiso japanese edition and collections to check out we additionally provide variant types and as a consequence type of the books to browse the customary book fiction history novel scientific research as with ease as

kuro no kiseki ii crimson sin fall 2022 in japan resetera - May 24 2022

web apr 7 2022 localization is not just taking text and slapping it into a game i have no idea how hajimari refers back to crossbell but i can imagine there would need to be a level of coordination between the people working on zero azure and hajimari and making sure that references to sky games or things that pop up in cold steel are consistent with

nemesis harry hole 4 by jo nesbø goodreads - Jun 24 2022

web jan 1 2002 after a drunken evening with former girlfriend anna bethsen police detective harry hole wakes up at home with a headache no cell phone and no memory of the past twelve hours the same day anna is found shot dead in her bedroom making hole a prime suspect in the investigation led by his hated adversary tom waaler

[neesima jo no kirisutokyo shiso japanese edition kindle editie](#) - Mar 02 2023

web neesima jo no kirisutokyo shiso japanese edition ebook okoshi tetsuji amazon nl kindle store

[neesima jo no kirisutokyo shiso japanese edition kindle edition](#) - Aug 07 2023

web neesima jo no kirisutokyo shiso japanese edition ebook okoshi tetsuji amazon in kindle store

neesima jo no kirisutokyo shiso japanese edition ebook - Jun 05 2023

web neesima jo no kirisutokyo shiso japanese edition ebook okoshi tetsuji amazon de kindle store

neesima jo no kirisutokyo shiso japanese edition ebook - Apr 03 2023

web neesima jo no kirisutokyo shiso japanese edition ebook okoshi tetsuji amazon de kindle shop

neesima jo no kirisutokyo shiso japanese edition by okoshi - Dec 31 2022

web neesima jo no kirisutokyo shiso japanese edition by okoshi tetsuji full text of the christian movement in the japanese empire buddhism and christianity in japan from conflict to full text of the japan christian year book full text of the christian movement in the japanese empire april 24th 2020 full text of the christian movement in the

neesima jo no kirisutokyo shiso japanese edition 2023 - Jul 26 2022

web neesima jo no kirisutokyo shiso japanese edition downloaded from helpdesk bricksave com by guest deandre mata handbook of christianity in japan princeton university press christian converts and social protests in meiji japanu of m center for japanese studies a history of christianity in japan protestant missions

neesima jo no kirisutokyo shiso japanese edition kindle edition - Mar 22 2022

web neesima jo no kirisutokyo shiso japanese edition ebook okoshi tetsuji amazon com au kindle store

neesima jo no kirisutokyo shiso japanese edition pdf - May 04 2023

web may 23 2023 neesima jo no kirisutokyo shiso japanese edition 2 8 downloaded from uniport edu ng on may 23 2023 by guest bible through this exceptional man s life john howes charts what it meant to live during the introduction of christianity to japan passivity resistance and collaboration po shek fu 1989

neesima jo no kirisutokyo shiso japanese edition copy - Oct 29 2022

web jun 30 2023 neesima jo no kirisutokyo shiso japanese edition 2 8 downloaded from uniport edu ng on june 30 2023 by guest 1937 when japan s economic social political and military influence in china expanded so rapidly that it supplanted the influence of western powers competing there these fourteen

neesima jo no kirisutokyo shiso japanese edition kindle edition - Sep 08 2023

web neesima jo no kirisutokyo shiso japanese edition ebook okoshi tetsuji amazon co uk kindle store

heisei shin onigashima kouhen japan wowroms - Apr 22 2022

web heisei shin onigashima kouhen japan rom for super nintendo snes and play heisei shin onigashima kouhen japan on your devices windows pc mac ios and android

neesima jo no kirisutokyo shiso japanese edition ebook - Feb 01 2023

web neesima jo no kirisutokyo shiso japanese edition ebook okoshi tetsuji amazon es tienda kindle

neshima 2016 imdb - Nov 29 2022

web neshima directed by tommy friedman with shoshana chagall erin dinsmore vishwanath iyer michael geretz warring tribes desperately seek the fragments of a sacred crystal key but when one piece is stolen princess lakshmi must fulfill an ancient prophesy by leaving her tribe reuniting the crystal and opening the portal to neshima

neesima jo no kirisutokyo shiso japanese edition kindle edition - Jul 06 2023

web neesima jo no kirisutokyo shiso japanese edition ebook okoshi tetsuji amazon nl kindle store

neesima jo no kirisutokyo shiso japanese edition uniport edu - Aug 27 2022

web mar 11 2023 neesima jo no kirisutokyo shiso japanese edition 1 8 downloaded from uniport edu ng on march 11 2023 by guest neesima jo no kirisutokyo shiso japanese edition thank you enormously much for downloading neesima jo no kirisutokyo shiso japanese edition maybe you have knowledge that people have see numerous period

neesima jo no kirisutokyo shiso japanese edition kindle edition - Oct 09 2023

web dec 8 2012 buy neesima jo no kirisutokyo shiso japanese edition read kindle store reviews amazon com

neesima jo no kirisutokyo shiso japanese edition by okoshi - Sep 27 2022

web neesima jo no kirisutokyo shiso japanese edition by okoshi tetsuji the japanese criticized this as a violation of the

principle of noninterference in religious matters and finally returned the ts 42 when the first treaty was signed on march 31 1854 the date was given in the year of our lord jesus christ as well as in the traditional japanese way

procedura civile rrustem qehaja 1 slideshare - Apr 29 2022

web this procedura civile pjesa e posacme as one of the predominant functioning sellers here will totally be paired with by the best alternatives to review it is not nearly orally the

e drejta procedures civile pjesa e posaqme pdf scribd - Jul 13 2023

web e drejta procedures civile pjesa e posaqshme 1 cilat jan mjetet per realizimin e kerkesave te kreditorit jo ne te holla mjetet per realizimin e kerkesave jo ne te holla te tilla jan

processo civile nell enciclopedia treccani - Nov 05 2022

web procedura civile pjesa e posacme march 22nd 2018 2 pjesa e parë pjesa e përgjithshme titulli i parimet themelore të procesit gjyqësor neni 1

parte civile diritto processuale penale treccani - Feb 25 2022

web may 29 2023 procedura civile pjesa e posacme procedura civile pjesa e posacme ang fakulteti i drejtesise letersia fajtori com teste procedur penale pjesa e posaqme

procura speciale per la costituzione di parte civile studio cataldi - Mar 29 2022

web jul 27 2023 procedura civile pjesa e posacme 2 7 downloaded from uniport edu ng on july 27 2023 by guest door the woman opens it to find her daughter doruntine

pdf procedura civile pjesa e posacme - Jun 12 2023

web procedura civile pjesa e posacme index islamicus jun 04 2021 procedura penale e r p sh mar 25 2023 verfolgung und gedächtnis in albanien aug 26 2020 pjesa e

procedura civile pjesa e posacme secure4 khronos - Sep 22 2021

procedura civile pjesa e posacme lia erc gov ph - May 31 2022

web nel diritto processuale penale la parte civile è il danneggiato del reato vittima del reato che decide di esercitare nel processo penale l azione civile tendente a ottenere il

download free procedura civile pjesa e posacme pdf - May 11 2023

web mar 20 2023 procedura civile pjesa e posacme pdf yeah reviewing a book procedura civile pjesa e posacme pdf could amass your near links listings to the notice as

procedura civile pjesa e posacme liululu - Jan 27 2022

web 2 procedura civile pjesa e posacme 2020 01 24 read by all who seek to understand why profound reflection is needed on

the theoretical underpinnings of eu criminal justice

procedura civile pjesa e posacme liululu - Jul 01 2022

web procura speciale perché in sua vece e conto si costituisca parte civile nell instaurando processo nei confronti di detta imputata attribuisce infine al nominato

e drejta penale pjesa e posaçme slideshare - Feb 08 2023

web in generale con il termine processo si intende il complesso delle attività e delle forme mediante le quali appositi organi prestabiliti dalla legge esercitano con l osservanza di

procedura civile pjesa e posacme copy uniport edu - Dec 26 2021

web jun 13 2023 procedura civile penale të drejtën e pjesa e e drejta penale pjesa e përgjithshme dhe pjesa e posacme procedura civile procedura penale e drejta

e drejta procedurale civile pdf scribd - Mar 09 2023

web art 55 enumerare din noul cod de procedură civilă actualizat și republicat legea 134 2010 părțile astfel nu au calitatea de părți ale acțiunii civile martorii experții

procedura civile pjesa e posacme bespoke cityam - Nov 24 2021

procedura civile pjesa e posacme help discoveram - Sep 03 2022

web e drejta procedurale civile pjesa e posaçme ballina e drejta civile wikipedia juridik e drejta procedurale civile permbran rregulla mbi e drejta nderkombetare penale ismet

rastet e zgjidhura nga lenda e procedures civile izet morina - Oct 04 2022

web procedura civile pjesa e posacme procedura civile pjesa e posacme kodi civil i republikës së shqipërisë teste procedur penale pjesa e posaçme 1 es scribd

e drejta procedures civile pjesa e posaqshme pdf scribd - Aug 14 2023

web dr e proc civile 1 pergjigjeja e ankeses i parashtrohet a gjykates e cila ka marre aktgjykimin b gjykata e shkalles me te larte e cila shqyrton ankesen c gjykata e shkalles se dyte permes gjykates se shkalles se pare 2 pergjigjeja ne padi eshte

e drejta civile pjesa e pergjithshme pdf scribd - Jan 07 2023

web ratet e zgjidhura nga lnda e procedurs civile te profesori izet morina secilit shumn prej 9 000 euro personi kishte pranuar makinn dhe kishte paguar 5 500 euro euro pasi a

procedura civile pjesa e posacme - Aug 02 2022

web aug 17 2018 teste procedura civile te prof drrrustemqehaja përgjigjete nënvizuara nënkuptojn përgjigjetqëmund tëjenëtë sakta suksese 1 ne cilat raste

e drejta procedurale civile pdf scribd - Apr 10 2023

web juridike q jan t prbashkta pr t gjitha degt e s drejts civile ndryshe kt pjes e quajm pjesa e prgjithshme e s drejts civile ose hyrje n t drejtn civile 9 insitucionet

art 55 noul cod de procedurã civilã enumerare pãrtilë - Dec 06 2022

web e drejta penale pjesa e përgjithshme dhe pjesa e posaçme procedura civile procedura penale e drejta administrative dhe e drejta kushtetuese për gjykimin e

procedura civile pjesa e posacme 2022 reports budgetbakers - Oct 24 2021