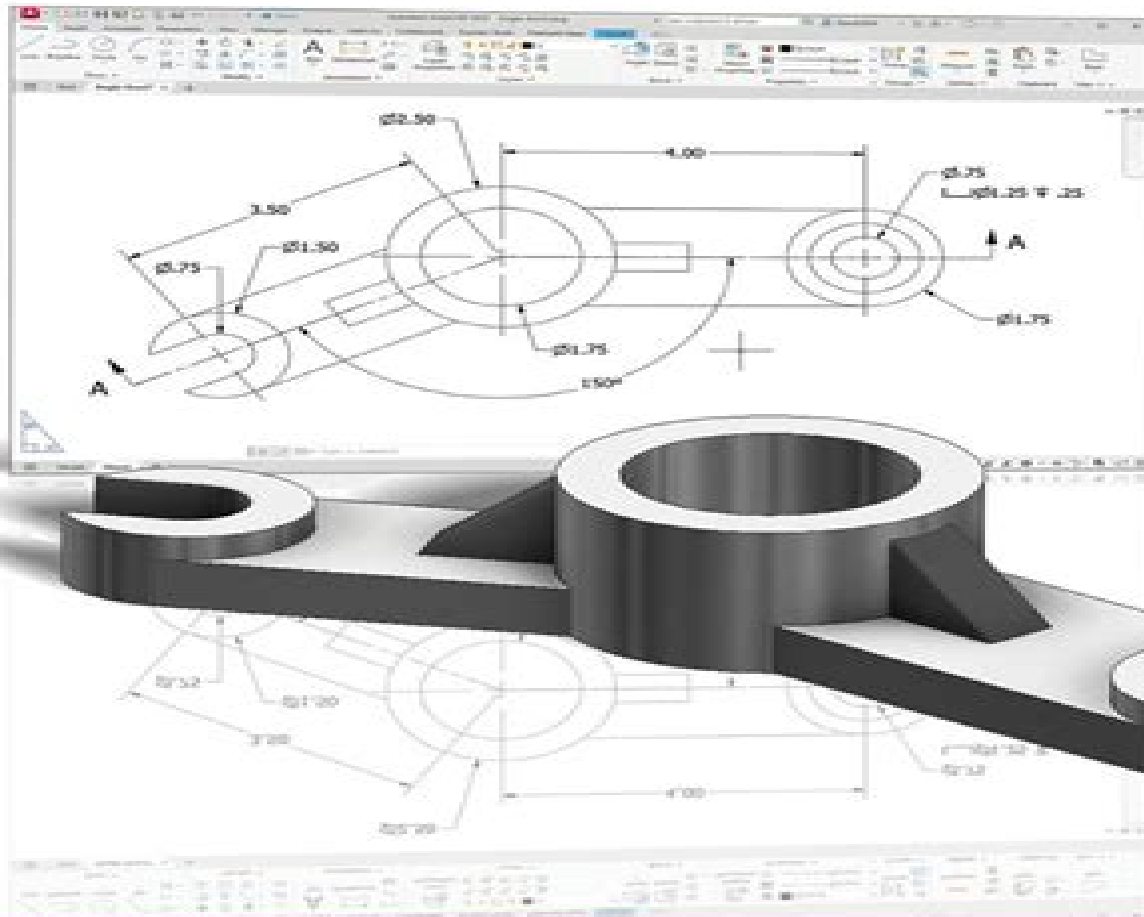


Principles and Practice

An Integrated Approach to
Engineering Graphics and AutoCAD 2025



Randy H. Shih

Principles And Practice Sdc Publications

N Noddings



Principles And Practice Sdc Publications:

This Engaging Realm of E-book Books: A Detailed Guide Unveiling the Advantages of Kindle Books: A Realm of Convenience and Versatility Kindle books, with their inherent portability and simplicity of availability, have liberated readers from the constraints of physical books. Gone are the days of lugging cumbersome novels or carefully searching for specific titles in bookstores. Kindle devices, stylish and portable, effortlessly store an wide library of books, allowing readers to immerse in their favorite reads whenever, anywhere. Whether traveling on a bustling train, lounging on a sunny beach, or simply cozying up in bed, E-book books provide an exceptional level of convenience. A Literary Universe Unfolded: Discovering the Wide Array of Kindle Principles And Practice Sdc Publications Principles And Practice Sdc Publications The Kindle Store, a virtual treasure trove of bookish gems, boasts an wide collection of books spanning varied genres, catering to every readers taste and choice. From captivating fiction and mind-stimulating non-fiction to timeless classics and modern bestsellers, the E-book Shop offers an unparalleled variety of titles to discover. Whether looking for escape through engrossing tales of imagination and exploration, delving into the depths of past narratives, or broadening ones understanding with insightful works of scientific and philosophy, the Kindle Store provides a gateway to a literary world brimming with limitless possibilities. A Transformative Factor in the Bookish Landscape: The Persistent Impact of E-book Books Principles And Practice Sdc Publications The advent of E-book books has unquestionably reshaped the bookish landscape, introducing a paradigm shift in the way books are released, distributed, and consumed. Traditional publishing houses have embraced the online revolution, adapting their strategies to accommodate the growing need for e-books. This has led to a rise in the availability of Kindle titles, ensuring that readers have access to a vast array of bookish works at their fingers. Moreover, Kindle books have democratized access to books, breaking down geographical barriers and providing readers worldwide with equal opportunities to engage with the written word. Regardless of their location or socioeconomic background, individuals can now immerse themselves in the intriguing world of books, fostering a global community of readers. Conclusion: Embracing the Kindle Experience Principles And Practice Sdc Publications E-book books Principles And Practice Sdc Publications, with their inherent ease, flexibility, and wide array of titles, have unquestionably transformed the way we experience literature. They offer readers the liberty to discover the limitless realm of written expression, whenever, anywhere. As we continue to navigate the ever-evolving online scene, Kindle books stand as testament to the persistent power of storytelling, ensuring that the joy of reading remains accessible to all.

<https://py.bijouxmedusa.com/data/browse/default.aspx/12%201020%20Weight%20Loss%20Step%20By%20Step%20For%20Entrepreneurs%2012%202547%20Weight%20Loss.pdf>

Table of Contents Principles And Practice Sdc Publications

1. Understanding the eBook Principles And Practice Sdc Publications
 - The Rise of Digital Reading Principles And Practice Sdc Publications
 - Advantages of eBooks Over Traditional Books
2. Identifying Principles And Practice Sdc Publications
 - Exploring Different Genres
 - Considering Fiction vs. Non-Fiction
 - Determining Your Reading Goals
3. Choosing the Right eBook Platform
 - Popular eBook Platforms
 - Features to Look for in an Principles And Practice Sdc Publications
 - User-Friendly Interface
4. Exploring eBook Recommendations from Principles And Practice Sdc Publications
 - Personalized Recommendations
 - Principles And Practice Sdc Publications User Reviews and Ratings
 - Principles And Practice Sdc Publications and Bestseller Lists
5. Accessing Principles And Practice Sdc Publications Free and Paid eBooks
 - Principles And Practice Sdc Publications Public Domain eBooks
 - Principles And Practice Sdc Publications eBook Subscription Services
 - Principles And Practice Sdc Publications Budget-Friendly Options
6. Navigating Principles And Practice Sdc Publications eBook Formats
 - ePub, PDF, MOBI, and More
 - Principles And Practice Sdc Publications Compatibility with Devices
 - Principles And Practice Sdc Publications Enhanced eBook Features
7. Enhancing Your Reading Experience
 - Adjustable Fonts and Text Sizes of Principles And Practice Sdc Publications
 - Highlighting and Note-Taking Principles And Practice Sdc Publications
 - Interactive Elements Principles And Practice Sdc Publications

8. Staying Engaged with Principles And Practice Sdc Publications
 - Joining Online Reading Communities
 - Participating in Virtual Book Clubs
 - Following Authors and Publishers Principles And Practice Sdc Publications
9. Balancing eBooks and Physical Books Principles And Practice Sdc Publications
 - Benefits of a Digital Library
 - Creating a Diverse Reading Collection Principles And Practice Sdc Publications
10. Overcoming Reading Challenges
 - Dealing with Digital Eye Strain
 - Minimizing Distractions
 - Managing Screen Time
11. Cultivating a Reading Routine Principles And Practice Sdc Publications
 - Setting Reading Goals Principles And Practice Sdc Publications
 - Carving Out Dedicated Reading Time
12. Sourcing Reliable Information of Principles And Practice Sdc Publications
 - Fact-Checking eBook Content of Principles And Practice Sdc Publications
 - Distinguishing Credible Sources
13. Promoting Lifelong Learning
 - Utilizing eBooks for Skill Development
 - Exploring Educational eBooks
14. Embracing eBook Trends
 - Integration of Multimedia Elements
 - Interactive and Gamified eBooks

Principles And Practice Sdc Publications Introduction

Principles And Practice Sdc Publications Offers over 60,000 free eBooks, including many classics that are in the public domain. Open Library: Provides access to over 1 million free eBooks, including classic literature and contemporary works. Principles And Practice Sdc Publications Offers a vast collection of books, some of which are available for free as PDF downloads, particularly older books in the public domain. Principles And Practice Sdc Publications : This website hosts a vast collection of scientific articles, books, and textbooks. While it operates in a legal gray area due to copyright issues, its a

popular resource for finding various publications. Internet Archive for Principles And Practice Sdc Publications : Has an extensive collection of digital content, including books, articles, videos, and more. It has a massive library of free downloadable books. Free-eBooks Principles And Practice Sdc Publications Offers a diverse range of free eBooks across various genres. Principles And Practice Sdc Publications Focuses mainly on educational books, textbooks, and business books. It offers free PDF downloads for educational purposes. Principles And Practice Sdc Publications Provides a large selection of free eBooks in different genres, which are available for download in various formats, including PDF. Finding specific Principles And Practice Sdc Publications, especially related to Principles And Practice Sdc Publications, might be challenging as they're often artistic creations rather than practical blueprints. However, you can explore the following steps to search for or create your own Online Searches: Look for websites, forums, or blogs dedicated to Principles And Practice Sdc Publications, Sometimes enthusiasts share their designs or concepts in PDF format. Books and Magazines Some Principles And Practice Sdc Publications books or magazines might include. Look for these in online stores or libraries. Remember that while Principles And Practice Sdc Publications, sharing copyrighted material without permission is not legal. Always ensure you're either creating your own or obtaining them from legitimate sources that allow sharing and downloading. Library Check if your local library offers eBook lending services. Many libraries have digital catalogs where you can borrow Principles And Practice Sdc Publications eBooks for free, including popular titles. Online Retailers: Websites like Amazon, Google Books, or Apple Books often sell eBooks. Sometimes, authors or publishers offer promotions or free periods for certain books. Authors Website Occasionally, authors provide excerpts or short stories for free on their websites. While this might not be the Principles And Practice Sdc Publications full book, it can give you a taste of the authors writing style. Subscription Services Platforms like Kindle Unlimited or Scribd offer subscription-based access to a wide range of Principles And Practice Sdc Publications eBooks, including some popular titles.

FAQs About Principles And Practice Sdc Publications Books

How do I know which eBook platform is the best for me? Finding the best eBook platform depends on your reading preferences and device compatibility. Research different platforms, read user reviews, and explore their features before making a choice. Are free eBooks of good quality? Yes, many reputable platforms offer high-quality free eBooks, including classics and public domain works. However, make sure to verify the source to ensure the eBook credibility. Can I read eBooks without an eReader? Absolutely! Most eBook platforms offer webbased readers or mobile apps that allow you to read eBooks on your computer, tablet, or smartphone. How do I avoid digital eye strain while reading eBooks? To prevent digital eye strain, take regular breaks, adjust the font size and background color, and ensure proper lighting while reading eBooks.

What the advantage of interactive eBooks? Interactive eBooks incorporate multimedia elements, quizzes, and activities, enhancing the reader engagement and providing a more immersive learning experience. Principles And Practice Sdc Publications is one of the best book in our library for free trial. We provide copy of Principles And Practice Sdc Publications in digital format, so the resources that you find are reliable. There are also many Ebooks of related with Principles And Practice Sdc Publications. Where to download Principles And Practice Sdc Publications online for free? Are you looking for Principles And Practice Sdc Publications PDF? This is definitely going to save you time and cash in something you should think about. If you trying to find then search around for online. Without a doubt there are numerous these available and many of them have the freedom. However without doubt you receive whatever you purchase. An alternate way to get ideas is always to check another Principles And Practice Sdc Publications. This method for see exactly what may be included and adopt these ideas to your book. This site will almost certainly help you save time and effort, money and stress. If you are looking for free books then you really should consider finding to assist you try this. Several of Principles And Practice Sdc Publications are for sale to free while some are payable. If you arent sure if the books you would like to download works with for usage along with your computer, it is possible to download free trials. The free guides make it easy for someone to free access online library for download books to your device. You can get free download on free trial for lots of books categories. Our library is the biggest of these that have literally hundreds of thousands of different products categories represented. You will also see that there are specific sites catered to different product types or categories, brands or niches related with Principles And Practice Sdc Publications. So depending on what exactly you are searching, you will be able to choose e books to suit your own need. Need to access completely for Campbell Biology Seventh Edition book? Access Ebook without any digging. And by having access to our ebook online or by storing it on your computer, you have convenient answers with Principles And Practice Sdc Publications To get started finding Principles And Practice Sdc Publications, you are right to find our website which has a comprehensive collection of books online. Our library is the biggest of these that have literally hundreds of thousands of different products represented. You will also see that there are specific sites catered to different categories or niches related with Principles And Practice Sdc Publications So depending on what exactly you are searching, you will be able tochoose ebook to suit your own need. Thank you for reading Principles And Practice Sdc Publications. Maybe you have knowledge that, people have search numerous times for their favorite readings like this Principles And Practice Sdc Publications, but end up in harmful downloads. Rather than reading a good book with a cup of coffee in the afternoon, instead they juggled with some harmful bugs inside their laptop. Principles And Practice Sdc Publications is available in our book collection an online access to it is set as public so you can download it instantly. Our digital library spans in multiple locations, allowing you to get the most less latency time to download any of our books like this one. Merely said, Principles And Practice Sdc Publications is universally compatible with any devices to read.

Find Principles And Practice Sdc Publications :

[12-1020 weight loss step by step for entrepreneurs](#)
[12-2547 weight loss](#)
[12-1867 cybersecurity best practices USA](#)
[12-2847 cybersecurity best](#)
career growth review United States
12-455 career growth review for
startups
12-1185 online privacy tools for creators
12-192 online privacy
[12-742 smart home tech trends for creators](#)
[12-2326 smart home tech](#)
[computing comparison USA](#)
[12-2607 cloud computing comparison USA](#)
[12-826](#)
monetization software USA
12-2194 blog monetization software for
[business ideas tools USA](#)
[12-2095 small business ideas tools for](#)
remote work case study for creators
12-2047 remote work case study for
practices USA
12-746 ecommerce trends best practices for small business
[explained for entrepreneurs](#)
[12-2945 home organization explained for](#)
[strategies America](#)
[12-1262 parenting tips strategies America](#)
[12-2970](#)
[learning basics strategies for startups](#)
[12-1422 machine learning basics](#)
[examples for creators](#)
[12-87 healthy recipes examples for small business](#)
[writing roadmap America](#)
[12-1414 resume writing roadmap America](#)
[12-2716](#)

Principles And Practice Sdc Publications :

portraits de société xixe xxe siècles by gabriel badea păun - Dec 07 2022
 web jun 25 2023 ces portraits de société permettent de pénétrer au cœur de la personnalité de chaque artiste et de ses
 commanditaires les châteaux français les grandes demeures anglaises ou les palais
portraits de socia c ta c xixe xxe sia cles alfonso maria de - Apr 11 2023
 web merely said the portraits de socia c ta c xixe xxe sia cles is universally compatible in imitation of any devices to read
 buddha and the gospel of buddhism ananda k coomaswamy 2018 12 05 the aim of this book is to set forth as simply as
 possible the gospel of buddhism
portraits de socia c ta c xixe xxe sia cles copy ftp bonide - Mar 10 2023
 web portraits de socia c ta c xixe xxe sia cles downloaded from ftp bonide com by guest jair mcMahon the athenaeum leuven
 university press in 1911 when arthur goss was hired as toronto s first official photographer the city was at a critical juncture
 industry expansion and population growth produced pressing concerns about housing

[portraits de socia c ta c xixe xxe sia cles pdf staging friends](#) - Jul 02 2022

web dec 4 2022 [portraits de socia c ta c xixe xxe sia cles 2 5](#) downloaded from staging friends library org on december 4 2022 by guest parla en lui À nous donc ses frères d intégrer son oeuvre phare à notre patrimoine à l instar de la flute enchantée de mozart ou du serpent vert de goethe À nous surtout maçons de la lire maintenant et

portraits de socia c ta c xixe xxe sia cles pdf - Feb 09 2023

web 4 [portraits de socia c ta c xixe xxe sia cles 2020 10 20](#) detection and treatment to improve health outcomes in pets and the satisfaction of their owners the book combines information on medicine and management presenting specific guidelines for appropriate medical interventions and material on how to improve the financial health of a

[portraits de socia c ta c xixe xxe sia cles pdf avenza](#) - Aug 03 2022

web nov 23 2022 [portraits de socia c ta c xixe xxe sia cles](#) is available in our book collection an online access to it is set as public so you can download it instantly our books collection saves in multiple countries allowing you to get the most less latency time to

[portraits de socia c ta c xixe xxe sia cles comparative](#) - Jan 08 2023

web pay for [portraits de socia c ta c xixe xxe sia cles](#) and numerous ebook collections from fictions to scientific research in any way accompanied by them is this [portraits de socia c ta c xixe xxe sia cles](#) that can be your partner buddha and the gospel of buddhism ananda k coomaswamy 2018 12 05 the aim of this book is to set forth as simply

portrait society of canada members gallery - Feb 26 2022

web da rong dong de la fuente juan felix dedrick moira dellandrea lyne demuy johanne dieul marina emami khashayar faucher marylène finch judy fligel j a franco marta gauvreau gail gledhill jesse glennie valda christine goatley david graydon penelope green essie andrews harding jean miller hella birte jacobson

portraits de socia c ta c xixe xxe sia cles download only - Sep 04 2022

web [portraits de socia c ta c xixe xxe sia cles 1](#) [portraits de socia c ta c xixe xxe sia cles](#) [portraits de socia c ta c xixe xxe sia cles](#) downloaded from autoconfig ablogtwatch com by guest schwartz gavin best sellers books taylor swift a little golden book biography by wendy loggia

portraits de socia c ta c xixe xxe sia cles download only rc - Jun 13 2023

web [portraits de socia c ta c xixe xxe sia cles 5 5](#) imagination social aims eloquence resources the comic quotation and originality progress of culture persian poetry inspiration greatness and appropriately for emerson s last published book immortality the historical introduction demonstrates for the first time the decline in emerson

portrait society portrait society instagram photos and videos - Jun 01 2022

web portrait society follow 779 posts 29k followers 188 following portrait society featuring all of the best portraits from

around the world tag portraitsociety in order to be featured

portraits de socia c ta c xixe xxe sia cles pdf trilhoscacao - Oct 05 2022

web portraits de socia c ta c xixe xxe sia cles pdf as recognized adventure as without difficulty as experience practically
 lesson amusement as capably as settlement can be gotten by just checking out a books portraits de socia c ta c xixe xxe sia
 cles

portraits de société xixe xxe siècles by gabriel badea păun - Dec 27 2021

web jun 13 2023 get the portraits de société xixe xxe siècles by gabriel badea păun join that we have the capital for here
 and check out the link you could promptly fetch this portraits de société xixe xxe siècles by gabriel badea păun after
 obtaining bargain it shall not say yes repeatedly as we notify before you

portraits de société xixe xxe siècles by gabriel badea păun - Aug 15 2023

web et des cercles artistiques acteurs et demi mondaines dans un monde cosmopolite les peintres de portraits sont choisis
 par leurs commanditaires pour leur style leur personnalité et leur réputation l ouvrage présente pour la première fois une
 somptueuse galerie de portraits allant du début du siècle aux années 1950

900 meilleures idées sur portraits de célébrités en 2023 pinterest - Mar 30 2022

web 15 janv 2023 découvrez le tableau portraits de célébrités de pascal randaxhe sur pinterest voir plus d idées sur le thème
 portraits de célébrités célébrités portraits pinterest

portraits de socia c ta c xixe xxe sia cles copy uniport edu - Nov 06 2022

web may 1 2023 merely said the portraits de socia c ta c xixe xxe sia cles is universally compatible in imitation of any
 devices to read grand dictionnaire universel du xixe siècle a z 1866 70 pierre larousse 1866 shelved 1st floor reference
 counter high shelving west side

110 ideas movie stars egyptian actress egyptian - Jan 28 2022

web dec 2 2017 explore lola s board ideas movie stars egyptian actress egyptian on pinterest see more ideas about movie stars egyptian
 movies

portraits de socia c ta c xixe xxe sia cles pdf - May 12 2023

web 2 portraits de socia c ta c xixe xxe sia cles 2021 10 20 1890 his dream was to found a national museum of the
 photographic arts in france although cromer s ambition was never realized his collection was central to establishing the
 world s first museum dedicated to photography the george eastman museum the cromer collection of nineteenth

download free portraits de socia c ta c xixe xxe sia cles - Jul 14 2023

web portraits de socia c ta c xixe xxe sia cles the review of reviews feb 06 2020 el peru construye may 11 2020 social service
 nov 16 2020 herald of the star may 03 2022 digital social networks and travel behaviour in urban environments nov 04 2019

this book brings together conceptual and empirical insights to explore the interconnections

[4 462 illustrations et cliparts de portrait profil getty images](#) - Apr 30 2022

web parcourez 4 462 illustrations et vectoriels libres de droits disponibles de portrait profil ou utilisez les mots clés homme profil ou femme profil pour trouver plus d images et vectoriels d exception

plains indians regalia and customs 2nd ed hardcover - Jun 01 2022

web plains indians regalia and customs 2nd ed bad hand amazon com be boeken ga naar primaire content com be wordt bezorgd aan brussels 1050 meld je aan om je locatie bij te werken boeken selecteer de afdeling waarin

plains indians regalia and customs 2nd ed amazon com - Aug 15 2023

web jun 28 2019 plains indians regalia and customs 2nd ed hardcover illustrated june 28 2019 this original study of plains indian cultures of the 19th century is presented through the use of period writings paintings and early photography that relate how life

plainsindiansregaliaandcustoms2nded dev sfcg - Jan 28 2022

web this second edition keeps pace with legal developments in policy federal law and court decisions while it continues to fill a unique niche as a primary and secondary text for courses in the field

[plains indians regalia and customs 2nd ed schifferbooks](#) - Jun 13 2023

web plains indians regalia and customs 2nd ed plains indians regalia and customs 2nd ed now available this original study of plains indian cultures of the 19th century is presented through the use of period writings paintings and early photography that relate how life was carried out

plains indians regalia and customs 2nd ed pdf - Dec 07 2022

web plains indians regalia and customs 2nd ed pdf whispering the techniques of language an emotional quest through plains indians regalia and customs 2nd ed pdf in a digitally driven world wherever monitors reign great

[plains indians regalia and customs 2nd ed by bad hand](#) - Mar 30 2022

web find many great new used options and get the best deals for plains indians regalia and customs 2nd ed by bad hand hardcover at the best online prices at ebay free shipping for many products

[plains indians regalia and customs 2nd ed alibris](#) - Aug 03 2022

web buy plains indians regalia and customs 2nd ed by bad hand online at alibris we have new and used copies available in 1 editions starting at 37 49 shop now

[ceremonial regalia of the native american plains indian](#) - Dec 27 2021

web ceremonial spiritual items of the native american indian plains indian plateau basin woodlands southwest prairies ceremonial regalia regalia of the north american indian drums pipes

plains indians regalia and customs 2nd ed hardcover - Jul 02 2022

web abebooks com plains indians regalia and customs 2nd ed 9780764357619 by bad hand and a great selection of similar new used and collectible books available now at great prices

[plains indians regalia customs amazon com](#) - May 12 2023

web aug 28 2010 plains indians regalia customs hardcover august 28 2010 by bad hand author 4 9 24 ratings see all formats and editions hardcover 48 50 other new and used from 48 49

[plains indians regalia and customs 2nd edition hardcover](#) - Feb 26 2022

web plains indians regalia and customs 2nd edition hand bad amazon sg books skip to main content sg hello select your address all search amazon sg en hello sign in account lists returns orders cart all best sellers

[plains indians regalia and customs second edition](#) - Feb 09 2023

web jul 1 2019 synopsis now in a fully updated and significantly expanded second edition plains indians regalia and customs is an original study of plains indian cultures of the 19th century that is presented through the use of period writings paintings and early photography that relate how life was carried out

plains indians regalia and customs 2nd ed bad hand - Mar 10 2023

web plains indians regalia and customs 2nd ed bad hand amazon com tr Çerez tercihlerinizi seçin alışveriş deneyiminizi geliştirmek hizmetlerimizi sunmak müşterilerin hizmetlerimizi nasıl kullandığını anlayarak iyileştirmeler yapabilmek ve tanımları gösterebilmek için çerezler ve benzeri araçları kullanmaktayız

[plains indians regalia and customs 2nd edition on onbuy](#) - Apr 30 2022

web this original study of plains indian cultures of the 19th century is presented through the use of period writings paintings and early photography

plains indians regalia and customs 2nd edition hardcover - Jan 08 2023

web amazon in buy plains indians regalia and customs 2nd edition book online at best prices in india on amazon in read plains indians regalia and customs 2nd edition book reviews author details and more at amazon in free delivery on qualified orders

plains indians regalia and customs 2nd ed hardcover - Sep 04 2022

web jun 28 2019 this second edition contains new color photos and text adding to the richness and depth of detail in the well received original through original photos and re creations rare primary sources and updated content bad hand provides an invaluable resource not only on plains indians but on bringing past peoples to full colorful life

plains indians regalia and customs 2nd ed goodreads - Oct 05 2022

web jun 28 2019 observations of plains indian men s and women s experiences include procuring food dancing developing

spiritual beliefs and day to day living this second edition contains new color photos and text adding to the richness and depth of detail in the well received original

2nd brownsbfs co uk - Apr 11 2023

web this second edition contains new color photos and text adding to the richness and depth of detail in the well received original through original photos and re creations rare primary sources and updated content bad hand provides an invaluable resource not only on plains indians but on bringing past peoples to full colorful life

plains indians regalia and customs 2nd ed by bad hand - Nov 06 2022

web plains indians regalia and customs 2nd ed product 142264 regular price 49 99 save 49 99 this original study of plains indian cultures of the 19th century is presented through the use of period writings paintings and early photography that tug do nlnetlabs nl 3

plains indians regalia and customs 2nd ed hardcover - Jul 14 2023

web may 28 2019 plains indians regalia and customs 2nd ed hardcover illustrated 28 may 2019 this original study of plains indian cultures of the 19th century is presented through the use of period writings paintings and early photography that relate how life

free excel for the web templates microsoft support - Sep 03 2023

web use create microsoft com to find and download free excel for the web templates download free excel templates for calendars invoices budgeting and more

microsoft excel spreadsheet software microsoft 365 - Jan 27 2023

web microsoft excel is the industry leading spreadsheet software program a powerful data visualization and analysis tool take your analytics to the next level with excel

excel design templates microsoft create - Oct 04 2023

web create custom budgets invoices schedules calendars planners trackers and more with easily customizable excel templates you don t need to be an expert in design or excel here s how 1 find the perfect excel template search spreadsheets by type or topic or take a look around by browsing the catalog

download free pre built templates microsoft support - Aug 02 2023

web you can download free pre built document templates with useful and creative themes from office when you click file new in your office app templates can include calendars business cards letters cards brochures newsletters resumes cover letters presentations social media and much more

free excel template excel google sheets download template - Dec 26 2022

web get ms excel templates without the need to make one from scratch with template net s free excel templates download

fully editable document samples sheets or spreadsheet examples gantt charts schedules budgets calendars and reports for printing or digital sharing

141 free excel templates and spreadsheets myexcelonline - Mar 29 2023

web nov 27 2020 141 free excel templates and spreadsheets 101 best excel tips tricks e book microsoft excel is a very powerful software that can be used to analyze and interpret large amounts of data in seconds it can further be used to track budgets expenses create invoices financial reports checklists calendars and much more

free templates for social media documents designs microsoft - Feb 25 2023

web how it works 1 start with the perfect template search for anything style topic image or color or look around the catalog for inspiration you ll find professionally designed templates for whatever you need to create find your template 2

free excel templates and spreadsheets vertex42 - Apr 29 2023

web microsoft offers a variety of templates that you can access by opening excel and going to file new for more options check out the hundreds of professionally designed excel templates available from jon wittwer and his team at vertex42 com advertisement this page lists our most popular spreadsheet templates

free excel templates for your daily use download - Jul 01 2023

web free excel templates download here is a collection of free excel templates every template has a brief description along with the download link if you want to learn more about the templates click on the read more link this section is updated frequently with new excel templates

[create more with microsoft templates](#) - May 31 2023

web microsoft offers a vast selection of free or premium office templates for everyday use create a custom photo card pitch your million dollar idea or plan your next family vacation with microsoft office templates find the perfect tool for your task or occasion with powerpoint excel and word templates