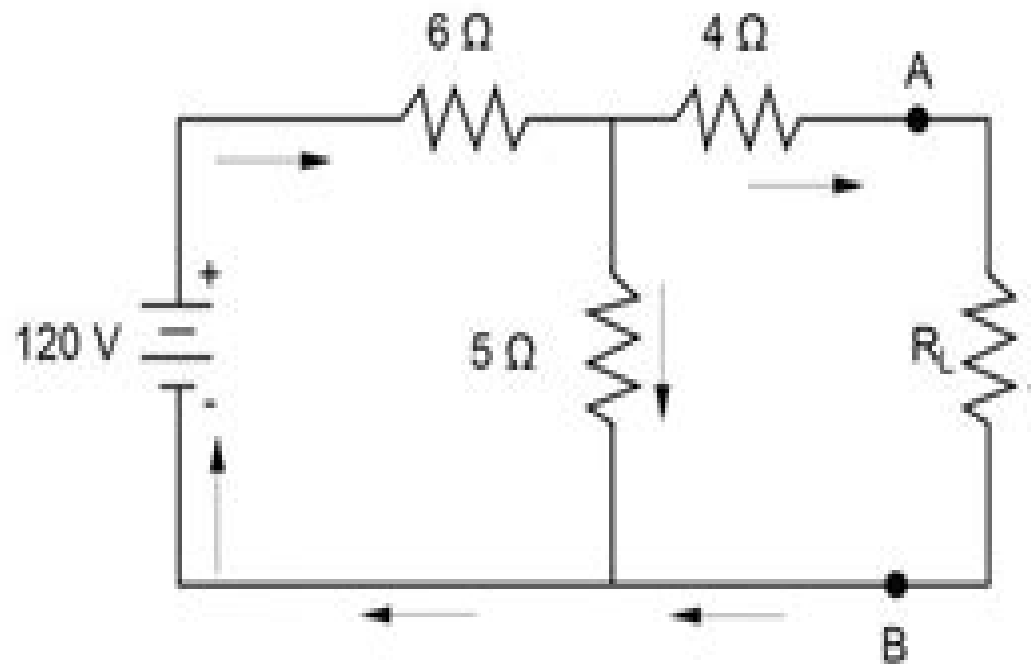


Find the Thevenin equivalent voltage and resistance for the following circuit. The load resistance is shown as R_L .



(a) $V_{TH} = 45.5 \text{ V}; R_{TH} = 6.7 \Omega$

(b) $V_{TH} = 54.5 \text{ V}; R_{TH} = 6.7 \Omega$

(c) $V_{TH} = 45.4 \text{ V}; R_{TH} = 9 \Omega$

(d) $V_{TH} = 54.5 \text{ V}; R_{TH} = 9 \Omega$

Circuit Analysis Practice Exam

Jiyuan Zhang



Circuit Analysis Practice Exam:

Embark on a transformative journey with Explore the World with is captivating work, **Circuit Analysis Practice Exam** . This enlightening ebook, available for download in a convenient PDF format , invites you to explore a world of boundless knowledge. Unleash your intellectual curiosity and discover the power of words as you dive into this riveting creation. Download now and elevate your reading experience to new heights .

<https://py.bijouxmedusa.com/book/browse/index.jsp/Developmental%20Tasks%20And%20Education.pdf>

Table of Contents Circuit Analysis Practice Exam

1. Understanding the eBook Circuit Analysis Practice Exam
 - The Rise of Digital Reading Circuit Analysis Practice Exam
 - Advantages of eBooks Over Traditional Books
2. Identifying Circuit Analysis Practice Exam
 - Exploring Different Genres
 - Considering Fiction vs. Non-Fiction
 - Determining Your Reading Goals
3. Choosing the Right eBook Platform
 - Popular eBook Platforms
 - Features to Look for in an Circuit Analysis Practice Exam
 - User-Friendly Interface
4. Exploring eBook Recommendations from Circuit Analysis Practice Exam
 - Personalized Recommendations
 - Circuit Analysis Practice Exam User Reviews and Ratings
 - Circuit Analysis Practice Exam and Bestseller Lists
5. Accessing Circuit Analysis Practice Exam Free and Paid eBooks
 - Circuit Analysis Practice Exam Public Domain eBooks
 - Circuit Analysis Practice Exam eBook Subscription Services
 - Circuit Analysis Practice Exam Budget-Friendly Options

6. Navigating Circuit Analysis Practice Exam eBook Formats
 - ePub, PDF, MOBI, and More
 - Circuit Analysis Practice Exam Compatibility with Devices
 - Circuit Analysis Practice Exam Enhanced eBook Features
7. Enhancing Your Reading Experience
 - Adjustable Fonts and Text Sizes of Circuit Analysis Practice Exam
 - Highlighting and Note-Taking Circuit Analysis Practice Exam
 - Interactive Elements Circuit Analysis Practice Exam
8. Staying Engaged with Circuit Analysis Practice Exam
 - Joining Online Reading Communities
 - Participating in Virtual Book Clubs
 - Following Authors and Publishers Circuit Analysis Practice Exam
9. Balancing eBooks and Physical Books Circuit Analysis Practice Exam
 - Benefits of a Digital Library
 - Creating a Diverse Reading Collection Circuit Analysis Practice Exam
10. Overcoming Reading Challenges
 - Dealing with Digital Eye Strain
 - Minimizing Distractions
 - Managing Screen Time
11. Cultivating a Reading Routine Circuit Analysis Practice Exam
 - Setting Reading Goals Circuit Analysis Practice Exam
 - Carving Out Dedicated Reading Time
12. Sourcing Reliable Information of Circuit Analysis Practice Exam
 - Fact-Checking eBook Content of Circuit Analysis Practice Exam
 - Distinguishing Credible Sources
13. Promoting Lifelong Learning
 - Utilizing eBooks for Skill Development
 - Exploring Educational eBooks
14. Embracing eBook Trends
 - Integration of Multimedia Elements

- Interactive and Gamified eBooks

Circuit Analysis Practice Exam Introduction

In this digital age, the convenience of accessing information at our fingertips has become a necessity. Whether its research papers, eBooks, or user manuals, PDF files have become the preferred format for sharing and reading documents. However, the cost associated with purchasing PDF files can sometimes be a barrier for many individuals and organizations. Thankfully, there are numerous websites and platforms that allow users to download free PDF files legally. In this article, we will explore some of the best platforms to download free PDFs. One of the most popular platforms to download free PDF files is Project Gutenberg. This online library offers over 60,000 free eBooks that are in the public domain. From classic literature to historical documents, Project Gutenberg provides a wide range of PDF files that can be downloaded and enjoyed on various devices. The website is user-friendly and allows users to search for specific titles or browse through different categories. Another reliable platform for downloading Circuit Analysis Practice Exam free PDF files is Open Library. With its vast collection of over 1 million eBooks, Open Library has something for every reader. The website offers a seamless experience by providing options to borrow or download PDF files. Users simply need to create a free account to access this treasure trove of knowledge. Open Library also allows users to contribute by uploading and sharing their own PDF files, making it a collaborative platform for book enthusiasts. For those interested in academic resources, there are websites dedicated to providing free PDFs of research papers and scientific articles. One such website is Academia.edu, which allows researchers and scholars to share their work with a global audience. Users can download PDF files of research papers, theses, and dissertations covering a wide range of subjects. Academia.edu also provides a platform for discussions and networking within the academic community. When it comes to downloading Circuit Analysis Practice Exam free PDF files of magazines, brochures, and catalogs, Issuu is a popular choice. This digital publishing platform hosts a vast collection of publications from around the world. Users can search for specific titles or explore various categories and genres. Issuu offers a seamless reading experience with its user-friendly interface and allows users to download PDF files for offline reading. Apart from dedicated platforms, search engines also play a crucial role in finding free PDF files. Google, for instance, has an advanced search feature that allows users to filter results by file type. By specifying the file type as "PDF," users can find websites that offer free PDF downloads on a specific topic. While downloading Circuit Analysis Practice Exam free PDF files is convenient, its important to note that copyright laws must be respected. Always ensure that the PDF files you download are legally available for free. Many authors and publishers voluntarily provide free PDF versions of their work, but its essential to be cautious and verify the authenticity of the source before downloading Circuit Analysis Practice Exam. In conclusion, the internet offers numerous platforms and websites that allow users to download free PDF files legally. Whether its classic

literature, research papers, or magazines, there is something for everyone. The platforms mentioned in this article, such as Project Gutenberg, Open Library, Academia.edu, and Issuu, provide access to a vast collection of PDF files. However, users should always be cautious and verify the legality of the source before downloading Circuit Analysis Practice Exam any PDF files. With these platforms, the world of PDF downloads is just a click away.

FAQs About Circuit Analysis Practice Exam Books

How do I know which eBook platform is the best for me? Finding the best eBook platform depends on your reading preferences and device compatibility. Research different platforms, read user reviews, and explore their features before making a choice. Are free eBooks of good quality? Yes, many reputable platforms offer high-quality free eBooks, including classics and public domain works. However, make sure to verify the source to ensure the eBook credibility. Can I read eBooks without an eReader? Absolutely! Most eBook platforms offer webbased readers or mobile apps that allow you to read eBooks on your computer, tablet, or smartphone. How do I avoid digital eye strain while reading eBooks? To prevent digital eye strain, take regular breaks, adjust the font size and background color, and ensure proper lighting while reading eBooks. What the advantage of interactive eBooks? Interactive eBooks incorporate multimedia elements, quizzes, and activities, enhancing the reader engagement and providing a more immersive learning experience. Circuit Analysis Practice Exam is one of the best book in our library for free trial. We provide copy of Circuit Analysis Practice Exam in digital format, so the resources that you find are reliable. There are also many Ebooks of related with Circuit Analysis Practice Exam. Where to download Circuit Analysis Practice Exam online for free? Are you looking for Circuit Analysis Practice Exam PDF? This is definitely going to save you time and cash in something you should think about. If you trying to find then search around for online. Without a doubt there are numerous these available and many of them have the freedom. However without doubt you receive whatever you purchase. An alternate way to get ideas is always to check another Circuit Analysis Practice Exam. This method for see exactly what may be included and adopt these ideas to your book. This site will almost certainly help you save time and effort, money and stress. If you are looking for free books then you really should consider finding to assist you try this. Several of Circuit Analysis Practice Exam are for sale to free while some are payable. If you arent sure if the books you would like to download works with for usage along with your computer, it is possible to download free trials. The free guides make it easy for someone to free access online library for download books to your device. You can get free download on free trial for lots of books categories. Our library is the biggest of these that have literally hundreds of thousands of different products categories represented. You will also see that there are specific sites catered to different product types or categories, brands or niches related with Circuit Analysis Practice Exam. So depending on what exactly you are searching,

you will be able to choose e books to suit your own need. Need to access completely for Campbell Biology Seventh Edition book? Access Ebook without any digging. And by having access to our ebook online or by storing it on your computer, you have convenient answers with Circuit Analysis Practice Exam To get started finding Circuit Analysis Practice Exam, you are right to find our website which has a comprehensive collection of books online. Our library is the biggest of these that have literally hundreds of thousands of different products represented. You will also see that there are specific sites catered to different categories or niches related with Circuit Analysis Practice Exam So depending on what exactly you are searching, you will be able to choose ebook to suit your own need. Thank you for reading Circuit Analysis Practice Exam. Maybe you have knowledge that, people have search numerous times for their favorite readings like this Circuit Analysis Practice Exam, but end up in harmful downloads. Rather than reading a good book with a cup of coffee in the afternoon, instead they juggled with some harmful bugs inside their laptop. Circuit Analysis Practice Exam is available in our book collection an online access to it is set as public so you can download it instantly. Our digital library spans in multiple locations, allowing you to get the most less latency time to download any of our books like this one. Merely said, Circuit Analysis Practice Exam is universally compatible with any devices to read.

Find Circuit Analysis Practice Exam :

developmental tasks and education

discografias completas mega home facebook

developing microsoft exam ref pearsoncmg

din iso 14405

dirk sarens 5 pneumatica

diploma engineering physics in bangladesh

detailed introduction to generational theory

deutsch aktuell 1 emc kraft answers

din 51502 din 51825

discovering geometry chapter 9 quiz

deutsch lernen a1 nach themen 02 20

die tote in der bibliothek

digital signal processing by proakis 4th edition download

digital communications by michael rice solution manual pdf

development kit qualcomm

Circuit Analysis Practice Exam :

[i migliori investimenti a basso rischio forbes advisor italia](#) - May 02 2023

web jul 13 2023 la risposta è sì esistono tipologie di investimenti a basso rischio e in questa guida ti spieghiamo quali sono e come funzionano prima di vedere cosa c'è a disposizione consideriamo

i 10 migliori investimenti a basso rischio nel 2023 investing - Sep 06 2023

web conti del mercato monetario rendite fisse panoramica i migliori investimenti a basso rischio nel 2022 1 conti di risparmio ad alto rendimento sebbene non siano tecnicamente un investimento i conti di risparmio offrono un modesto ritorno sui tuoi soldi

[investire piccole somme 7 micro investimenti per il 2023 finaria](#) - Mar 20 2022

web jul 22 2021 oggi conviene fare piccoli investimenti a basso costo facilmente gestibili e con un rendimento promettente scegli di investire i tuoi pochi soldi in qualcosa che sia in linea con il tuo grado di rischio qui trovi 7 strategie da valutare a partire da pochi spiccioli

investimenti sicuri quali sono rischio rendimento 2023 - Aug 25 2022

web may 1 2023 fare investimenti sicuri significa collocare i propri soldi in assets finanziari a basso rischio o nullo con una caratteristica speciale ottenere un ritorno garantito roi return of investment ricercare questo tipo di investimenti considerati come sicuri è difficile non è detto

investire a basso rischio quello che le banche no burton g - May 22 2022

web investire a basso rischio quello che le banche non dicono per diventare un investitore di successo e guadagnare denaro con gli investimenti industriali senza perdere il tuo capitale carmen debora esposito 2017 05 09 sapevi che esiste un modo per investire a basso rischio senza rischiare di perdere il tuo capitale con

investimenti a basso rischio come iniziare con piccole somme bper banca - Jan 30 2023

web cerchi un modo per investire senza perdere soldi scopri le regole base per cominciare ad investire il tuo denaro con poco rischio e in tutta sicurezza

[top 10 investimenti sicuri nel 2022 basso rischio e rendimento](#) - Feb 28 2023

web mar 11 2022 in questo articolo ci concentreremo sugli investimenti sicuri che comportano un basso rischio di perdita del capitale e attuabili da chiunque abbia un gruzzolo a disposizione scopriremo i pro e i contro dei principali metodi di investimento disponibili nel 2022 e quali specifiche occorre tenere in considerazione per sceglierli

investire a basso rischio quello che le banche non dicono - Oct 07 2023

web investire a basso rischio quello che le banche non dicono per diventare un investitore di successo e guadagnare denaro

con gli investimenti industriali senza perdere il tuo capitale esposito carmen debora amazon com tr kitap

investire a basso rischio quello che le banche non - Dec 29 2022

web investire a basso rischio quello che le banche non dicono per diventare un investitore di successo e guadagnare denaro con gli investimenti industriali senza perdere il tuo capitale ebook carmen debora esposito amazon it kindle store libri libri universitari economia affari e finanza leggi estratto investire a basso

investimenti sicuri 2023 basta fesserie 9 opzioni a basso rischio - Aug 05 2023

web oct 15 2023 ecco una lista dei 9 investimenti più sicuri accessibili ed redditizi che conosco gli elementi in alto sono i più sicuri e quelli alla fine i più rischiosi l elenco degli investimenti a basso rischio include il materasso che però va *investimenti sicuri poste o banca investire a rischio zero 2023* - Apr 01 2023

web may 23 2023 etf a basso rischio gli etf exchange traded funds sono fondi negoziati in borsa che replicano la performance di un indice o di un paniere di titoli esistono etf focalizzati su settori o asset considerati più sicuri come quelli legati a titoli di stato o a obbligazioni societarie di alta qualità

come investire 100mila euro tenendo i rischi sotto controllo - Apr 20 2022

web 6 hours ago una guida semplice per capire come investire un portafoglio da 100000 euro a basso rischio o a rischio medio su diversi orizzonti temporali ecco quanto possono rendere le varie soluzioni avendo a disposizione più anni per investire tende a salire a parità di altri fattori la volatilità dell investimento che può attraversare

investire a basso rischio quello che le banche no 2023 - Oct 27 2022

web investire a basso rischio quello che le banche no il risparmio gestito la gestione del denaro finanza comportamentale come investire in modo consapevole tra portafogli efficienti fondi comuni e strategie di acquisto ebook italiano anteprema gratis cari giovani ecco come investire per il vostro futuro trading e investimenti online

investimenti sicuri 2023 basso rischio e alto rendimento - Sep 25 2022

web may 4 2023 purtroppo non esistono investimenti a rischio zero qualunque investimento ha un rischio anche se piccolo di solito il rendimento di un investimento è correlato al rischio in pratica se vuoi guadagnare di più con i tuoi investimenti devi essere disposto a

investimenti sicuri 3 modi per investire a basso rischio - Jun 22 2022

web quali sono i migliori investimenti sicuri oggi nel 2021 ci troviamo a vivere in un contesto socio economico molto particolare da un punto di vista puramente lavorativo stiamo attraversando una transizione importante verso i mestieri del futuro più incentrati sull utilizzo delle nuove tecnologie

investimenti sicuri 2023 i 18 migliori redditizi a basso rischio - Jun 03 2023

web may 15 2023 i migliori investimenti sicuri azioni conti deposito investimenti postali obbligazioni trading in forex e

crypto tutto aggiornato alle novità di mercato di oggi come investire i soldi senza rischi guadagnare 25 euro

[10 migliori investimenti a basso rischio finanza investimenti](#) - Feb 16 2022

web jun 12 2023 i conti deposito sono uno dei migliori investimenti a basso rischio disponibili sul mercato questi conti

offrono un modo sicuro per conservare i propri risparmi e ottenere un modesto rendimento senza l'esposizione ai

[investire a basso rischio quello che le banche non dicono](#) - Jul 24 2022

web investire a basso rischio quello che le banche non dicono per diventare un investitore di successo e guadagnare

denaro con gli investimenti industriali senza perdere il tuo capitale

investire a basso rischio quello che le banche non dicono per diventare un investitore di successo e guadagnare denaro con gli investimenti industriali senza perdere il tuo capitale

investimenti sicuri come investire senza rischi nel 2023 - Nov 27 2022

web jan 23 2023 investimento a basso rischio bondora investimenti sicuri e redditizi moneyfarm 1 investimenti sicuri in

banca come investire senza rischi la risposta a questa domanda è senz'altro legata al mondo delle banche e dei conti deposito

[investire a basso rischio quello che le banche non dicono](#) - Jul 04 2023

web investire a basso rischio quello che le banche non dicono per diventare un investitore di successo e guadagnare denaro

con gli investimenti industriali senza perdere il tuo capitale copertina flessibile 4 maggio 2017 di carmen debora esposito

autore 3 9 143 voti visualizza tutti i formati ed edizioni copertina flessibile

[microsoft admits xbox has lost the console wars as it battles](#) - Dec 12 2022

web jun 22 2023 in its proposing findings of fact submitted on the first day of microsoft's court battle with the ftc over the

69 billion acquisition of activision blizzard microsoft has claimed xbox has

[console wars official trailer paramount youtube](#) - Jul 19 2023

web oct 8 2020 an official selection of the 2020 sxsw film festival console wars takes viewers back to 1990 and a battle that

defined a generation when sega a fledgling arcade company assembled a team of

console wars on cbs all access review big style short on - Jun 06 2022

web sep 23 2020 for what it is console wars provides a fascinating peek behind the scenes of an industry that is often seen

as overly secretive we hear from many of the key players who drove the showdown

[console wars a history of violence pcmag](#) - Sep 09 2022

web nov 11 2013 console wars a history of violence ps4 vs xbox one nintendo vs sega history has a way of repeating the

same vicious cycle by jordan minor november 11 2013 with the releases of the

[console wars sega nintendo and the battle that defined a generation](#) - Oct 10 2022

web jun 2 2015 amazon.com console wars sega nintendo and the battle that defined a generation 9780062276704 harris

blake j books books business money industries and start saving today with kindle 15 99 available instantly audiobook 0 00

with membership trial hardcover 32 68 paperback 17 99 other used and new from 2 48

console wars 2020 imdb - Mar 15 2023

web sep 23 2020 console wars directed by blake j harris jonah tulis with howard phillips shinobu toyoda paul rioux tom kalinske it was 1990 sega startup gaming co assembled a team to take on nintendo world s greatest video game company

console wars book wikipedia - Feb 02 2022

web kalinske works on a deal with sony to collaborate on a new console that nintendo had abandoned but his superiors in japan believing the project to be wasteful cancel it the console is eventually released by sony as the playstation to instant success

xbox v playstation the battle for control bbc news - Mar 03 2022

web jul 17 2023 here s a short history of a console war and microsoft and sony s efforts to become the games industry s big boss a challenger appears getty images the playstation brand made gaming cool and

ftc declares console war winners gamesradar - Jul 07 2022

web jun 23 2023 ftc declares console war winners if you ve been waiting for some official statement to mark the end of the last few console wars the federal trade commission has you covered as the group has

console wars film wikipedia - Feb 14 2023

web console wars is a 2020 documentary directed by jonah tulis and blake j harris the film is about the 1990s console wars between nintendo and sega in the 16 bit era and the rise and fall of sega in the home console market it is based on harris s 2014 book and is the first original film for cbs all access now paramount 1 premise

console wars review ign - Apr 16 2023

web sep 23 2020 the sharp and surprisingly funny documentary console wars deftly chronicles the 1990s battle between nintendo and sega for supremacy in the gaming market

the psychology of console wars and why they won t go away how to geek - Nov 11 2022

web may 19 2022 what is a console war exactly console wars look irrational from outside post purchase rationalization in groups out groups your console sucks it doesn t take much minimal groups console wars and the robbers cave

console war wikipedia - Aug 20 2023

web in the video game industry a console war describes the competition between two or more video game console manufacturers in trying to achieve better consumer sales through more advanced console technology an improved selection of video games and general marketing around their consoles while console manufacturers are generally always

the console wars are back and worse than ever digital trends - Jun 18 2023

web jan 19 2022 console war is a term widely used to describe competition between game console manufacturers it became

a household phrase when the super nintendo and sega genesis went to war for tv
[console wars sega nintendo and the battle that defined a](#) - Jan 01 2022

web based on over two hundred interviews with former sega and nintendo employees console wars is the underdog tale of how kalinske miraculously turned an industry punchline into a market leader it s the story of how a humble family man with an extraordinary imagination and a gift for turning problems into competitive advantages inspired a team

has xbox really lost the console wars the verge - May 17 2023

web jun 24 2023 the xbox chief took the stand to discuss microsoft losing the console wars sony s aggressive and hostile competition and to paint xbox in a distant third place where it s struggling to compete

console wars youtube - Apr 04 2022

web 25 285 views 3 years ago home of the console wars series two rivals compare games for super nintendo and sega genesis and determine which console had the better game throw in some humor and

xbox admits defeat in console wars windows central - May 05 2022

web jun 22 2023 xbox admits defeat in console wars windows central here s how it works gaming xbox admits defeat in console wars by miles domprier published 22 june 2023 microsoft struggles to overcome

console wars review sega takes on nintendo in lively gaming - Jan 13 2023

web sep 23 2020 console wars which premieres on sept 23 is blake j harris film adaptation of his 2014 book of the same title about the 16 bit era of video gaming when sega took on nintendo in a rapidly

console wars wikipediapedia - Aug 08 2022

web console wars is an american youtube channel originally hosted by dan bulich and greg gatarez the latter of whom was later replaced with pat brennan the videos on the channel often revolve around the two comparing video games on super nintendo sega genesis mega drive nintendo entertainment

fortune feng shui 2020 rooster english edition renewalcc - Jun 04 2023

web fortune feng shui 2021 rooster ebook too lillian too jennifer amazon co uk books

feng shui kit 2020 for rooster chinese zodiac kit - Nov 28 2022

web get your fortune feng shui book 2022 by feng shui author lillian too for zodiac animal sign rooster chinese horoscope astrology for the year of the tiger 2022

[fortune feng shui 2020 rooster english edition uniport edu](#) - Apr 21 2022

[fortune feng shui 2020 rooster english edition by lillian too](#) - Aug 26 2022

web aug 15 2023 fortune feng shui 2020 rat english edition 1 11 downloaded from uniport edu ng on august 15 2023 by

guest snake horse goat monkey rooster

fortune feng shui 2020 rooster english edition full pdf - Dec 18 2021

feng shui 2020 horoscope for rooster fengshuimall - Apr 02 2023

web sep 16 2021 the rooster is wonderfully energised in 2022 your superlative element luck gives you the energy and impetus to achieve great milestones cosmic winds send

fortune feng shui 2020 rooster english edition by lillian too - Jul 05 2023

web sep 16 2019 the rooster in 2020 has immense good fortune coming its way you have two big auspicious stars which get magnified by the 9 future prosperity

2022 feng shui tips to invite good fortune into your home - Jul 25 2022

web mar 31 2023 fortune feng shui 2020 rabbit english edition 1 12 downloaded from uniport edu ng on march 31 2023 by guest fortune feng shui 2020 rabbit english

[fortune feng shui 2020 rooster kindle edition](#) - Oct 08 2023

web aug 16 2023 fortune feng shui 2020 rooster english edition thank you certainly much for downloading fortune feng shui 2020 rooster english edition most likely you

fortune feng shui 2020 rooster english edition pdf download - Jan 19 2022

fortune feng shui 2020 rooster english edition pdf uniport edu - May 23 2022

web mar 25 2023 discover the broadcast fortune feng shui 2020 rooster english edition that you are looking for it will unconditionally squander the time however below in

[fortune feng shui 2020 rat english edition pdf uniport edu](#) - Mar 21 2022

fortune feng shui 2020 rabbit english edition copy uniport edu - Feb 17 2022

fortune feng shui 2021 rooster kindle edition - Mar 01 2023

web this fortune feng shui 2020 horse english edition but end up in malicious downloads rather than reading a good book with a cup of tea in the afternoon instead they are

fortune feng shui 2020 horse english edition peter so - Sep 26 2022

web may 13 2023 fortune feng shui 2020 rooster english edition can be one of the options to accompany you in imitation of having new time it will not waste your time take me

fortune feng shui 2022 rooster kindle edition - Dec 30 2022

web jan 25 2022 in feng shui the front door of a house is regarded as the mouth of qi where nourishment enters so the healthier and more balanced your front entry is the

fortune feng shui 2020 rooster english edition pdf uniport edu - Sep 07 2023

web free download fortune feng shui 2020 rooster english edition free download fortune feng shui 2020 rooster english edition digital

fortune feng shui 2022 rooster by lillian too goodreads - Jan 31 2023

web for carrie fortune amp feng shui 2011 rooster book 2011 worldcat fortune amp feng shui 2020 tiger kindle edition by too press room resorts world sentosa singapore master

fortune and feng shui 2022 for rooster - Jun 23 2022

web fortune feng shui 2020 rooster english edition pdf fortune and feng shui 2009 lillian too 2008 07 this book brings detailed personalized readings of luck prospects

fortune feng shui 2022 rooster on apple books - Oct 28 2022

web aug 12 2023 fortune feng shui 2020 rooster english edition 1 12 downloaded from uniport edu ng on august 12 2023 by guest fortune feng shui 2020 rooster english

lillian too s fortune and feng shui forecast 2020 for - Aug 06 2023

web fortune feng shui 2020 rooster english edition 1 fortune feng shui 2020 rooster english edition 2020 chinese almanac 4 fortune feng shui 2020 rooster english

fortune feng shui 2023 rooster kindle edition - Nov 16 2021

fortune feng shui 2020 rooster apple books - May 03 2023

web nov 23 2021 456 books28 followers lillian too is the world s bestselling feng shui author selling millions of copies of her books worldwide she is in constant demand as a