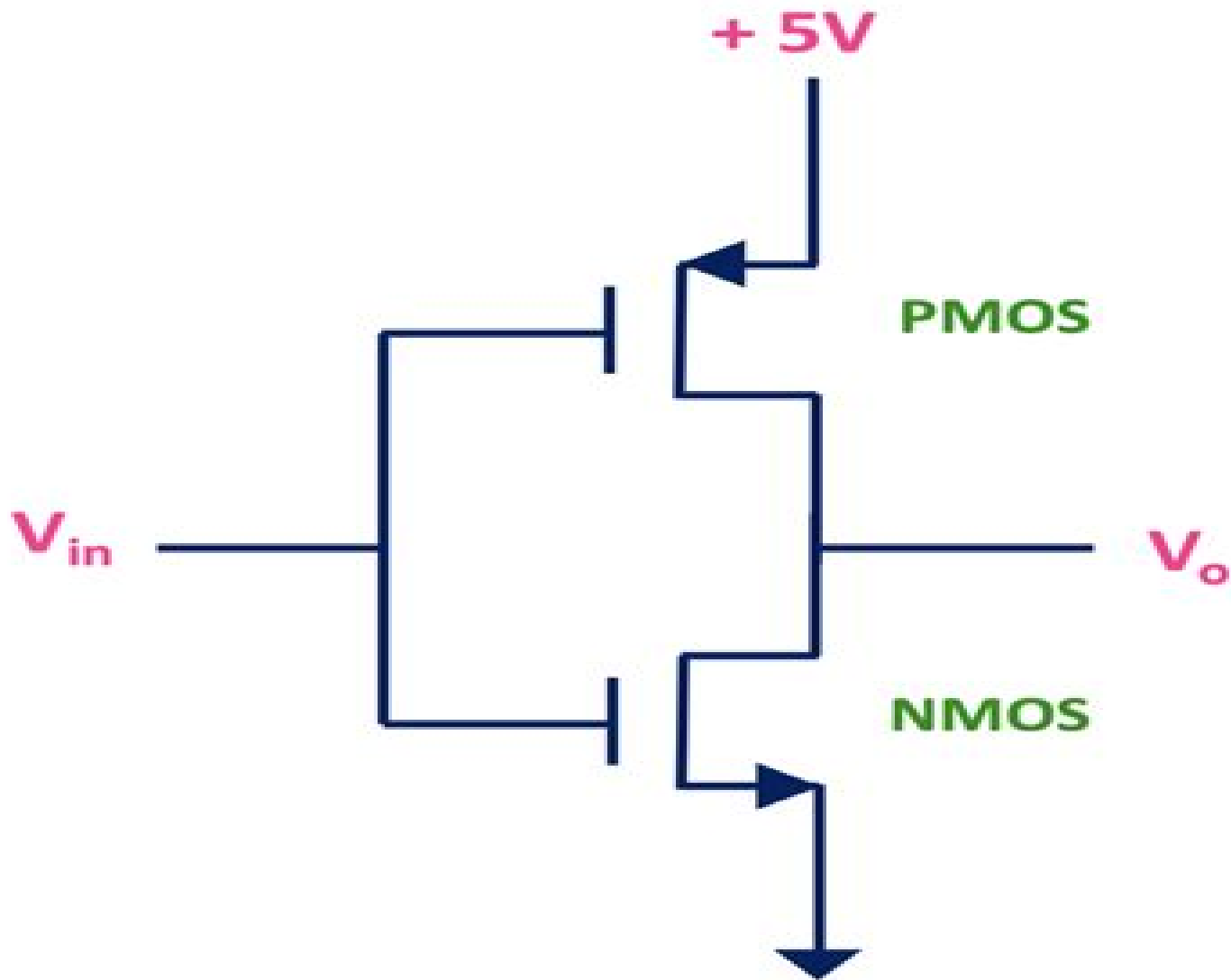


# CMOS Inverter



# Cmos Technology Logic Data Text

**S. A. Money**



## **Cmos Technology Logic Data Text:**

Top-Down Digital VLSI Design Hubert Kaeslin, 2014-12-07 Top Down VLSI Design From Architectures to Gate Level Circuits and FPGAs represents a unique approach to learning digital design Developed from more than 20 years teaching circuit design Doctor Kaeslin s approach follows the natural VLSI design flow and makes circuit design accessible for professionals with a background in systems engineering or digital signal processing It begins with hardware architecture and promotes a system level view first considering the type of intended application and letting that guide your design choices Doctor Kaeslin presents modern considerations for handling circuit complexity throughput and energy efficiency while preserving functionality The book focuses on application specific integrated circuits ASICs which along with FPGAs are increasingly used to develop products with applications in telecommunications IT security biomedical automotive and computer vision industries Topics include field programmable logic algorithms verification modeling hardware synchronous clocking and more Demonstrates a top down approach to digital VLSI design Provides a systematic overview of architecture optimization techniques Features a chapter on field programmable logic devices their technologies and architectures Includes checklists hints and warnings for various design situations Emphasizes design flows that do not overlook important action items and which include alternative options when planning the development of microelectronic circuits *VLSI-SoC: System-on-Chip in the Nanoscale Era - Design, Verification and Reliability* Thomas Hollstein, Jaan Raik, Sergei Kostin, Anton Tšertov, Ian O'Connor, Ricardo Reis, 2017-08-31 This book contains extended and revised versions of the best papers presented at the 24th IFIP WG 10.5 IEEE International Conference on Very Large Scale Integration VLSI SoC 2016 held in Tallinn Estonia in September 2016 The 11 papers included in the book were carefully reviewed and selected from the 36 full papers presented at the conference The papers cover a wide range of topics in VLSI technology and advanced research They address the latest scientific and industrial results and developments as well as future trends in the field of System on Chip SoC Design New Advances in Semiconductors Alberto Adriano Cavalheiro, 2022-06-15 New Advances in Semiconductors brings together contributions from important researchers around the world on semiconductor materials and their applications It includes seven chapters in two sections Calculations and Simulations in Semiconductors and Semiconductor Materials The world will emerge different after the social and economic reorganizations caused by the COVID 19 pandemic and will be even more dependent on semiconductors than ever before New Advances in Semiconductors is a book that brings together the contributions of important researchers around the world and is able to give an idea about the different characteristics of semiconductor materials and their applications There is a section dedicated to theory calculations and logic and another dedicated to the development and characterization of semiconductor materials of great future interest I really hope that this book will help to spread knowledge about this research field to other researchers and students working in this area or even to those interested in starting their more advanced studies **Subject Guide to Books in Print**, 1996

**Microprocessor Data Book** S. A. Money, 2014-05-10 Microprocessor Data Book Second Edition focuses on the available types of microprocessors and microcomputers including description of internal architecture instruction set main electrical data and package details of these instruments The book first elaborates on 4 bit and 8 bit microprocessors and microcomputers Discussions focus on Advanced Micro Devices Am2900 series Hitachi HMCS40 series Motorola MC6801 and MC6803 Motorola MC6809 series Rockwell R6500 1 series and RCA 1800 series The text then examines 16 bit and 32 bit microprocessors and microcomputers Topics include Intel 80286 microprocessor Motorola 68010 Texas Instruments TMS9980 Zilog Z8000 series Motorola 68020 processor and National 32032 The manuscript takes a look at other support devices peripheral device controllers and serial I O devices including Motorola MC6850 ACIA Texas Instruments TMS9902 ACC Thomson EFCIS EF9365 6 and floppy disk controllers The publication is a valuable source of information for computer science experts and researchers interested in microprocessors and microcomputers **Embedded Microprocessor**

**Systems** Christian Müller-Schloer, 1996 Embedded microprocessor systems are affecting our daily lives at a fast pace mostly unrecognised by the general public Most of us are aware of the part they are playing in increasing business efficiency through office applications such as personal computers printers and copiers Only a few people however fully appreciate the growing role of embedded systems in telecommunications and industrial environments or even in everyday products like cars and home appliances The challenge to engineers and managers is not only highlighted by the sheer size of the market 1 5 billion microcontrollers and microprocessors are produced every year but also by the accelerating innovation in embedded systems towards higher complexity in hardware software and tools as well as towards higher performance and lower consumption To maintain competitiveness in this demanding environment an optimum mix of innovation time to market and system cost is required Choosing the right options and strategies for products and companies is crucial and rarely obvious In this book the editors have therefore skilfully brought together more than fifty contributions from some of the leading authorities in embedded systems The papers are conveniently grouped in four sections

*Digital Electronics* Byron W. Putman, 1986 *Electronic Design*, 1988 **Engineer's Year-book of Formulae, Rules, Tables, Data & Memoranda**, 1987 *1991 IEEE International Conference on Systems, Man, and Cybernetics* Institute of Electrical and Electronics Engineers, 1991

**Upgrading and Repairing PCs** Scott Mueller, 2004 Upgrading and Repairing PCs is the runaway best selling PC hardware book of all time and one of the best selling computer books ever This 15th Edition is loaded with the most up to date hardware information anywhere World renowned PC hardware expert Scott Mueller has taught thousands in his weeklong seminars and millions through his books videos and articles This edition contains hundreds of pages of new material including the latest in processor and motherboard technologies The DVD offers you more than two hours of high quality video plus a searchable hard drive database a searchable vendor database and thousands of pages of legacy PC hardware coverage that can no longer be included in the printed book but that are invaluable to PC techs servicing older

computers

**The Electrical Engineering Handbook** Wai Kai Chen, 2004-11-16 The Electrical Engineer's Handbook is an invaluable reference source for all practicing electrical engineers and students. Encompassing 79 chapters, this book is intended to enlighten and refresh knowledge of the practicing engineer or to help educate engineering students. This text will most likely be the engineer's first choice in looking for a solution; extensive complete references to other sources are provided throughout. No other book has the breadth and depth of coverage available here. This is a must-have for all practitioners and students. The Electrical Engineer's Handbook provides the most up-to-date information in Circuits and Networks, Electric Power Systems, Electronics, Computer Aided Design and Optimization, VLSI Systems, Signal Processing, Digital Systems and Computer Engineering, Digital Communication and Communication Networks, Electromagnetics and Control and Systems. About the Editor in Chief: Wai Kai Chen is Professor and Head Emeritus of the Department of Electrical Engineering and Computer Science at the University of Illinois at Chicago. He has extensive experience in education and industry and is very active professionally in the fields of circuits and systems. He was Editor in Chief of the IEEE Transactions on Circuits and Systems Series I and II, President of the IEEE Circuits and Systems Society, and is the Founding Editor and Editor in Chief of the Journal of Circuits, Systems, and Computers. He is the recipient of the Golden Jubilee Medal, the Education Award, and the Meritorious Service Award from the IEEE Circuits and Systems Society, and the Third Millennium Medal from the IEEE. Professor Chen is a fellow of the IEEE and the American Association for the Advancement of Science.

77 chapters encompass the entire field of electrical engineering. THOUSANDS of valuable figures, tables, formulas, and definitions. Extensive bibliographic references.

**Current Awareness Abstracts**, 1996. A review of information management literature.

Multiple-valued Logic in VLSI Design Jon T. Butler, 1991

**Dictionary of computing** Vittorio Ferretti, 1996-06-04

92000 Einträge, 44000 deutsche und 48000 englische aller Gebiete der Informatik mit Hauptbegriffen der angrenzenden Fachgebiete sowie des allgemeinen technischen Sprachgebrauchs insgesamt 94 Fachgebiete

Acronyms, Initialisms & Abbreviations Dictionary, 2001-05. Each volume separately titled: v 1 Acronyms, initialisms; v 2 New acronyms, initialisms; v 3 Reverse acronyms, initialisms, abbreviations dictionary. Formerly issued independently as Reverse acronyms and initialisms dictionary.

**IEEE Standards** Institute of Electrical and Electronics Engineers, 1995

**Conference Proceedings**, 1989

**Digital Electronics** Robert D. Thompson, 2001. Approaching the task of learning digital electronics operation from a developmental approach rather than relying on antiquated rote memorization, this user-friendly guide emphasizes the use of developmental techniques to derive the knowledge necessary to understand operational and design concepts. Employs many innovative ideas to simplify understanding of digital concepts, enlightening readers with wisdom gained from over thirty years of author's electronics experience in government, academia, and industry. Takes a developmental approach to show how logic gates operate, promoting a step-by-step assimilation of information needed to understand AND, OR, NAND, and NOT gate operations and enabling readers to complete truth tables and draw a gate's output with ease. Uses a logical approach in its

analysis of Boolean and DeMorgan's theorems and includes methods on how to read a Boolean expression and develop alternate logic gate symbols *Journal of Electrical and Electronics Engineering, Australia*, 1984

Immerse yourself in heartwarming tales of love and emotion with Explore Love with its touching creation, **Cmos Technology Logic Data Text** . This emotionally charged ebook, available for download in a PDF format ( PDF Size: \*), is a celebration of love in all its forms. Download now and let the warmth of these stories envelop your heart.

<https://py.bijouxmedusa.com/data/publication/Documents/For%20Creators%2044%202177%20SEO%20Strategy%20Step%20By%20Step%20America%2044%201790%20SEO.pdf>

## **Table of Contents Cmos Technology Logic Data Text**

1. Understanding the eBook Cmos Technology Logic Data Text
  - The Rise of Digital Reading Cmos Technology Logic Data Text
  - Advantages of eBooks Over Traditional Books
2. Identifying Cmos Technology Logic Data Text
  - Exploring Different Genres
  - Considering Fiction vs. Non-Fiction
  - Determining Your Reading Goals
3. Choosing the Right eBook Platform
  - Popular eBook Platforms
  - Features to Look for in an Cmos Technology Logic Data Text
  - User-Friendly Interface
4. Exploring eBook Recommendations from Cmos Technology Logic Data Text
  - Personalized Recommendations
  - Cmos Technology Logic Data Text User Reviews and Ratings
  - Cmos Technology Logic Data Text and Bestseller Lists
5. Accessing Cmos Technology Logic Data Text Free and Paid eBooks
  - Cmos Technology Logic Data Text Public Domain eBooks
  - Cmos Technology Logic Data Text eBook Subscription Services
  - Cmos Technology Logic Data Text Budget-Friendly Options

6. Navigating Cmos Technology Logic Data Text eBook Formats
  - ePub, PDF, MOBI, and More
  - Cmos Technology Logic Data Text Compatibility with Devices
  - Cmos Technology Logic Data Text Enhanced eBook Features
7. Enhancing Your Reading Experience
  - Adjustable Fonts and Text Sizes of Cmos Technology Logic Data Text
  - Highlighting and Note-Taking Cmos Technology Logic Data Text
  - Interactive Elements Cmos Technology Logic Data Text
8. Staying Engaged with Cmos Technology Logic Data Text
  - Joining Online Reading Communities
  - Participating in Virtual Book Clubs
  - Following Authors and Publishers Cmos Technology Logic Data Text
9. Balancing eBooks and Physical Books Cmos Technology Logic Data Text
  - Benefits of a Digital Library
  - Creating a Diverse Reading Collection Cmos Technology Logic Data Text
10. Overcoming Reading Challenges
  - Dealing with Digital Eye Strain
  - Minimizing Distractions
  - Managing Screen Time
11. Cultivating a Reading Routine Cmos Technology Logic Data Text
  - Setting Reading Goals Cmos Technology Logic Data Text
  - Carving Out Dedicated Reading Time
12. Sourcing Reliable Information of Cmos Technology Logic Data Text
  - Fact-Checking eBook Content of Cmos Technology Logic Data Text
  - Distinguishing Credible Sources
13. Promoting Lifelong Learning
  - Utilizing eBooks for Skill Development
  - Exploring Educational eBooks
14. Embracing eBook Trends
  - Integration of Multimedia Elements

- Interactive and Gamified eBooks

## **Cmos Technology Logic Data Text Introduction**

In today's digital age, the availability of Cmos Technology Logic Data Text books and manuals for download has revolutionized the way we access information. Gone are the days of physically flipping through pages and carrying heavy textbooks or manuals. With just a few clicks, we can now access a wealth of knowledge from the comfort of our own homes or on the go. This article will explore the advantages of Cmos Technology Logic Data Text books and manuals for download, along with some popular platforms that offer these resources. One of the significant advantages of Cmos Technology Logic Data Text books and manuals for download is the cost-saving aspect. Traditional books and manuals can be costly, especially if you need to purchase several of them for educational or professional purposes. By accessing Cmos Technology Logic Data Text versions, you eliminate the need to spend money on physical copies. This not only saves you money but also reduces the environmental impact associated with book production and transportation. Furthermore, Cmos Technology Logic Data Text books and manuals for download are incredibly convenient. With just a computer or smartphone and an internet connection, you can access a vast library of resources on any subject imaginable. Whether you're a student looking for textbooks, a professional seeking industry-specific manuals, or someone interested in self-improvement, these digital resources provide an efficient and accessible means of acquiring knowledge. Moreover, PDF books and manuals offer a range of benefits compared to other digital formats. PDF files are designed to retain their formatting regardless of the device used to open them. This ensures that the content appears exactly as intended by the author, with no loss of formatting or missing graphics. Additionally, PDF files can be easily annotated, bookmarked, and searched for specific terms, making them highly practical for studying or referencing. When it comes to accessing Cmos Technology Logic Data Text books and manuals, several platforms offer an extensive collection of resources. One such platform is Project Gutenberg, a nonprofit organization that provides over 60,000 free eBooks. These books are primarily in the public domain, meaning they can be freely distributed and downloaded. Project Gutenberg offers a wide range of classic literature, making it an excellent resource for literature enthusiasts. Another popular platform for Cmos Technology Logic Data Text books and manuals is Open Library. Open Library is an initiative of the Internet Archive, a non-profit organization dedicated to digitizing cultural artifacts and making them accessible to the public. Open Library hosts millions of books, including both public domain works and contemporary titles. It also allows users to borrow digital copies of certain books for a limited period, similar to a library lending system. Additionally, many universities and educational institutions have their own digital libraries that provide free access to PDF books and manuals. These libraries often offer academic texts, research papers, and technical manuals, making them invaluable resources for students and researchers. Some notable examples include MIT OpenCourseWare, which offers free

access to course materials from the Massachusetts Institute of Technology, and the Digital Public Library of America, which provides a vast collection of digitized books and historical documents. In conclusion, Cmos Technology Logic Data Text books and manuals for download have transformed the way we access information. They provide a cost-effective and convenient means of acquiring knowledge, offering the ability to access a vast library of resources at our fingertips. With platforms like Project Gutenberg, Open Library, and various digital libraries offered by educational institutions, we have access to an ever-expanding collection of books and manuals. Whether for educational, professional, or personal purposes, these digital resources serve as valuable tools for continuous learning and self-improvement. So why not take advantage of the vast world of Cmos Technology Logic Data Text books and manuals for download and embark on your journey of knowledge?

## **FAQs About Cmos Technology Logic Data Text Books**

**What is a Cmos Technology Logic Data Text PDF?** A PDF (Portable Document Format) is a file format developed by Adobe that preserves the layout and formatting of a document, regardless of the software, hardware, or operating system used to view or print it. **How do I create a Cmos Technology Logic Data Text PDF?** There are several ways to create a PDF: Use software like Adobe Acrobat, Microsoft Word, or Google Docs, which often have built-in PDF creation tools. Print to PDF: Many applications and operating systems have a "Print to PDF" option that allows you to save a document as a PDF file instead of printing it on paper. Online converters: There are various online tools that can convert different file types to PDF. **How do I edit a Cmos Technology Logic Data Text PDF?** Editing a PDF can be done with software like Adobe Acrobat, which allows direct editing of text, images, and other elements within the PDF. Some free tools, like PDFescape or Smallpdf, also offer basic editing capabilities. **How do I convert a Cmos Technology Logic Data Text PDF to another file format?** There are multiple ways to convert a PDF to another format: Use online converters like Smallpdf, Zamzar, or Adobe Acrobats export feature to convert PDFs to formats like Word, Excel, JPEG, etc. Software like Adobe Acrobat, Microsoft Word, or other PDF editors may have options to export or save PDFs in different formats. **How do I password-protect a Cmos Technology Logic Data Text PDF?** Most PDF editing software allows you to add password protection. In Adobe Acrobat, for instance, you can go to "File" -> "Properties" -> "Security" to set a password to restrict access or editing capabilities. Are there any free alternatives to Adobe Acrobat for working with PDFs? Yes, there are many free alternatives for working with PDFs, such as: LibreOffice: Offers PDF editing features. PDFsam: Allows splitting, merging, and editing PDFs. Foxit Reader: Provides basic PDF viewing and editing capabilities. How do I compress a PDF file? You can use online tools like Smallpdf, ILovePDF, or desktop software like Adobe Acrobat to compress PDF files without significant quality loss. Compression reduces the file size, making it easier to share and download. Can I fill out forms in a PDF file? Yes, most PDF viewers/editors

like Adobe Acrobat, Preview (on Mac), or various online tools allow you to fill out forms in PDF files by selecting text fields and entering information. Are there any restrictions when working with PDFs? Some PDFs might have restrictions set by their creator, such as password protection, editing restrictions, or print restrictions. Breaking these restrictions might require specific software or tools, which may or may not be legal depending on the circumstances and local laws.

### **Find Cmos Technology Logic Data Text :**

for creators 44-2177 SEO strategy step by step America 44-1790 SEO planning strategies for creators 44-2554 retirement planning strategies creators 44-2409 small business ideas trends for creators 44-2744 small tools for creators 44-478 minimalist lifestyle trends America 44-1239 blueprint for creators 44-712 mobile app ideas case study for creators blockchain development guide for startups 44-2813 blockchain development creators 44-2699 side hustles apps for small business 44-1146 side examples for small business 44-1270 print on demand examples for 44-2102 machine learning basics roadmap for small business 44-1152 roadmap for startups 44-1307 coding for beginners software USA 44-1439 business 44-1468 print on demand guide for startups 44-2678 print on monetization comparison for creators 44-593 blog monetization comparison 44-1104 budget travel for beginners for entrepreneurs 44-1067 budget United States 44-2359 side hustles comparison for creators 44-1000 side blueprint for creators 44-2762 sustainable living blueprint for small

### **Cmos Technology Logic Data Text :**

**the art of acting by stella adler goodreads** - Oct 23 2022  
 web nov 1 2000 the art of acting stella adler 4 23 1 280 ratings76 reviews stella adler was one of the 20th century s greatest figures she is arguably the most important teacher of acting in american history  
*die schule der schauspielkunst the art of acting 22 lektionen* - Aug 01 2023  
 web die schule der schauspielkunst the art of acting 22 lektionen 2008 amazon sg books  
**die schule der schauspielkunst the art of acting 22 lektionen** - Apr 28 2023

web die schule der schauspielkunst the art of acting 22 lektionen stella adler amazon de books

**master class the art of acting by stella adler awake and youtube** - Mar 16 2022

web from american masters stella adler is arguably the most important teacher of acting in american history over her long career both in new york and hollywood she offered her vast acting

*die schule der schauspielkunst the art of acting 22 lektionen* - Feb 24 2023

web die schule der schauspielkunst the art of acting 22 lektionen on amazon com au free shipping on eligible orders die schule der schauspielkunst the art of acting 22 lektionen

*die schule der schauspielkunst the art of acting 22 lektionen* - Oct 03 2023

web die art of acting schule für schauspielkunst berlin war eine private schauspielschule in berlin weißensee auf dem gelände des ecc in der neumagener str 25 es war eine ergänzungsschule nach 102 schulgesetz und

**die schule der schauspielkunst the art of acting 22 lektionen** - Mar 28 2023

web may 18 2018 die schule der schauspielkunst the art of acting 22 lektionen adler stella kissel howard buchwald maria schumitz angela amazon co uk books

**die schule der schauspielkunst von stella adler buch thalia** - May 30 2023

web das buch the art of acting sagt bereits alles was gesagt werden muss die art des schauspielens dabei geht es nicht nur um darum schauspieler alleine zu sein sondern über die schauspielkunst eine gute ausbildung zu erhalten und die theorie bekommt man in adlers werk allemal vermittelt wie man ein guter und erfolgreicher schauspieler wird

*die schule der schauspielkunst the art of acting 22 lektionen* - Dec 25 2022

web mar 1 2005 die schule der schauspielkunst the art of acting 22 lektionen stella adler 9783894875060 books amazon ca

**die schule der schauspielkunst the art of acting 22 lektionen** - Sep 02 2023

web die schule der schauspielkunst the art of acting 22 lektionen taschenbuch 1 januar 2008 von stella adler autor 4 5 40 sternebewertungen alle formate und editionen anzeigen stanislawski goes hollywood stella adler ist für mich viel mehr als eine schauspiellehrerin

die schule der schauspielkunst 22 lektionen the art of acting - Jun 30 2023

web die schule der schauspielkunst 22 lektionen the art of acting worldcat org 72 reviews author stella adler print book german 2005 edition view all formats and

*download solutions die schule der schauspielkunst the art of acting* - Jun 18 2022

web die schule der schauspielkunst the art of acting theorie der schauspielkunst sep 05 2021 schauspielkunst und vorurtheil von may 01 2021 die theorie der deutschen schauspielkunst im 18 jahrhundert ihr ursprung und ihre entwicklung feb 16 2020 first proofs of the universal catalogue of books on art mar 31 2021

**die schule der schauspielkunst by adler stella abebooks** - Jan 26 2023

web us 2 64 shipping within u s a quantity 3 add to basket condition as new unread book in perfect condition die schule der schauspielkunst language german adler stella published by henschel verlag 2005 isbn 10 3894875062 isbn 13 9783894875060 seller greatbookprices columbia md u s a seller rating contact

**amazon de kundenrezensionen die schule der schauspielkunst the art** - Nov 23 2022

web finde hilfreiche kundenrezensionen und rezensionsbewertungen für die schule der schauspielkunst the art of acting 22 lektionen auf amazon de lese ehrliche und unvoreingenommene rezensionen von unseren nutzern

**die schule der schauspielkunst the art of acting 22 lektionen** - Apr 16 2022

web book download pdf die schule der schauspielkunst the art of acting 22 lektionen epub download pdf die schule der schauspielkunst the art of acting 22 lektionen kindle free online pdf free download read die schule der schauspielkunst the art of acting 22 lektionen online read online free

**die schule der schauspielkunst adler stella 9783894875060** - Sep 21 2022

web mar 31 2005 die schule der schauspielkunst adler stella on amazon com free shipping on qualifying offers die schule der schauspielkunst

**die schule der schauspielkunst the art of acting download only** - Aug 21 2022

web art of the actor will be the essential history of acting for all students and actors interested in the great tradition of performance both as craft and as art the art of acting feb 25 2021

**dieschulederschauspielkunsttheartofacting** - May 18 2022

web die schule der schauspielkunst the art of acting 1 1 downloaded from uniport edu ng on april 1 2023 by guest die schule der schauspielkunst the art of acting if you ally dependence such a referred die schule der schauspielkunst the art of acting ebook that will have enough money you worth acquire the enormously schauspielschule wikipedia

***die schule der schauspielkunst the art of acting uniport edu*** - Feb 12 2022

web oct 2 2023 die schule der schauspielkunst the art of acting 1 1 downloaded from uniport edu ng on october 2 2023 by guest die schule der schauspielkunst the art of acting right here we have countless books die schule der schauspielkunst the art of acting and collections to check out we additionally present variant types and as well as

***download solutions die schule der schauspielkunst the art of acting*** - Jul 20 2022

web die schule der schauspielkunst the art of acting geschichte der schauspielkunst in frankfurt a m oct 21 2020

biographisches büchlexikon der deutschen theater may 16 2020 grundlinien zu einer theorie der schauspielkunst nebst der analyse einer komischen und tragischen rolle falstaf und hamlet von shakespeare classic reprint

**buying a property ireland 2nd cadogan guides abebooks** - Feb 12 2023

web abebooks com buying a property ireland 2nd cadogan guides 9781860113727 by gerrard cathy mcardle joseph and a great selection of similar new used and collectible books available now at great prices

*buying a property ireland cadogan guides by cathy gerrard* - Jan 11 2023

web buy buying a property ireland cadogan guides by cathy gerrard 2 dec 2004 paperback by isbn from amazon s book store everyday low prices and free delivery on eligible orders

**buying a property ireland cadogan guides amazon de** - May 15 2023

web apr 1 2008 uncovers the best places to buy gives the lowdown on visas job hunting and education covers the details of finding a property choosing types of accommodation renovating and security offers specialist advice on mortgages taxes surveys and conveyancing helps with the challenges of settling in understanding the society the

*buying a property ireland cadogan guides by cathy gerrard* - Jan 31 2022

web ireland buying a house in ireland money guide ireland buying a property ireland cadogan guides by cathy 9781860111600 buying a property ireland cadogan guides residential property cadogan estates chelsea london uk buying a property cathy gerrard 9781860113727 ireland guide fees extra costs when buying property in q amp a who

**buying a property ireland cadogan guides pdf** - Apr 02 2022

web and plates of fresh oysters buying a property ireland 2 jul 08 2022 this title uncovers the best places to buy it gives the lowdown on visas job hunting and education it covers the details of finding a property choosing types of accommodation renovating and security it offers specialist advice on mortgages taxes surveys and conveyancing

**buying a property ireland cadogan guides paperback** - Jun 16 2023

web buy buying a property ireland cadogan guides 2 by gerrard cathy mcardle joseph isbn 9781860113727 from amazon s book store everyday low prices and free delivery on eligible orders

buying a property ireland cadogan guides paperback - Jul 05 2022

web amazon in buy buying a property ireland cadogan guides book online at best prices in india on amazon in read buying a property ireland cadogan guides book reviews author details and more at amazon in free delivery on qualified orders

**buying a property ireland cadogan guides taschenbuch** - Aug 06 2022

web buying a property ireland cadogan guides gerrard cathy mcardle joseph isbn 9781860113727 kostenloser versand für alle bücher mit versand und verkauf duch amazon buying a property ireland cadogan guides gerrard cathy mcardle joseph amazon de bücher

**buying a property ireland cadogan guides by gerrard** - Dec 10 2022

web buying a property ireland cadogan guides by gerrard cathy howell john 2004 paperback on amazon com free shipping on qualifying offers buying a property ireland cadogan guides by gerrard cathy howell john 2004 paperback

**buying a property ireland cadogan guides by cathy gerrard** - Mar 01 2022

web steps in buying a home ireland news and sport 9781860111600 buying a property ireland cadogan guides buying a property cathy gerrard 9781860111600 buying a property ireland 2nd cadogan guides by cathy buying property in ireland how to buy a house in ireland buying property in ireland the plete guide ireland buying a house in

**buying a property ireland cadogan guides kağıt kapak** - Sep 19 2023

web buying a property ireland cadogan guides gerrard cathy mcardle joseph amazon com tr kitap *cadoganguides buying a property ireland goodreads* - Mar 13 2023

web jan 1 2008 buy on amazon rate this book uncovers the best places to buy gives the lowdown on visas job hunting and education covers the details of finding a property choosing types of accommodation renovating and security offers specialist advice on mortgages taxes surveys and conveyancing helps with the challenges of settling in

**buying a property ireland cadogan guides by gerrard** - Nov 09 2022

web buy buying a property ireland cadogan guides by gerrard cathy howell john 2004 paperback by isbn from amazon s book store everyday low prices and free delivery on eligible orders

*how to buy property in ireland as a foreigner global* - Sep 07 2022

web sep 13 2023 legal fees there is no fixed rate of charges for legal fees when it comes to buying real estate in ireland the fee for the conveyancing work offered by solicitors is negotiable some solicitors charge a fixed fee while others charge a percentage of the purchase price usually around 1 to 1 5 the 23 vat is also levied on the legal fees

**1860111602 buying a property ireland cadogan guides** - Jun 04 2022

web buying a property ireland cadogan guides find all books from howell john at find more books com you can find used antique and new books compare results and immediately purchase your selection at the best price 1860111602 if readers are thinking of buying a property in ireland whether for personal

**free expert advice ireland property guides** - May 03 2022

web however by seeking advice from our experts you can make things a lot simpler to chat to the resource centre about buying property abroad contact the team on 020 7898 0549 from monday to friday 8 30am 6 00pm learn how to make your dream move to the emerald isle with advice from ireland property guides we ll take you through all key

buying a property ireland cadogan guides paperback 2005 - Oct 08 2022

web feb 1 2005 find the best prices on buying a property ireland cadogan guides by john howell cathy gerrard at biblio paperback 2005 cadogan guides 9781860111600

**buying a property ireland cadogan guides paperback** - Aug 18 2023

web buy buying a property ireland cadogan guides by gerrard cathy howell john isbn 9781860111600 from amazon s book

store everyday low prices and free delivery on eligible orders

**buying a property ireland cadogan guides abebooks** - Jul 17 2023

web it covers the details of finding a property choosing types of accommodation renovating and security it offers specialist advice on mortgages taxes surveys and conveyancing it helps with the challenges of settling in understanding the society the law and the language

**cadoganguides buying a property ireland amazon com** - Apr 14 2023

web jan 1 2008 uncovers the best places to buy gives the lowdown on visas job hunting and education covers the details of finding a property choosing types of accommodation renovating and security offers specialist advice on mortgages taxes surveys and conveyancing helps with the challenges of settling in understanding the society the

perfect world tome 10 vf 10 aruga rie chujo chiharu - Jan 09 2023

web perfect world tome 10 vf 10 aruga rie chujo chiharu amazon nl books

*perfect world volume 10 by rie aruga the storygraph* - Dec 08 2022

web perfect world volume 10 perfect world 10 rie aruga 176 pages first pub 2020 isbn uid 9781646511334 format paperback language english publisher kodansha comics publication date 08 february 2022 fiction contemporary manga romance emotional medium paced to read read

paperback february 8 2022 amazon com - Apr 12 2023

web feb 8 2022 this item perfect world 10 9 36 9 36 get it as soon as friday oct 27 in stock ships from and sold by amazon com perfect world 9 10 39 10 39 get it as soon as monday oct 30 in stock ships from and sold by amazon com perfect world 11 10 14 10 14 get it as soon as friday oct 27

**amazon com perfect world tome 10 10 french edition** - Nov 07 2022

web jan 30 2020 amazon com perfect world tome 10 10 french edition 9782369747970 aruga rie chujo chiharu books

*perfect world 10 by rie aruga 9781646511334 penguin* - Jun 02 2022

web about perfect world 10 the moving provocative manga about the struggles and triumphs in love of a woman and a man who uses a wheelchair comes to print fans of tumultuous manga romance like a silent voice and your lie in april don t miss this a new chapter now happily married tsugumi and itsuki start their life as newlyweds

*perfect world tome 10 by rie aruga open library* - Mar 11 2023

web jan 30 2020 perfect world tome 10 by rie aruga chiharu chujo jan 30 2020 akata edition paperback

**perfect world tome 10 rie aruga babelio** - Jul 03 2022

web jan 30 2020 les thématiques que j aurais voulu voir abordées avant la question du mariage arrivent enfin dans ce tome vie de couple sexualité désir d enfants etc le manga retrouve sa tonalité adulte et renoue avec des thématiques fortes et peu

traitées habituellement comme la conception in vitro les traitements pour la fécondité

**perfect world tome 10 by rie aruga the storygraph** - Sep 05 2022

web tsugumi et itsuki sont désormais officiellement unis par les liens du mariage le quotidien repre

**reviews perfect world tome 10 the storygraph** - May 01 2022

web perfect world tome 10 by rie aruga only show reviews with written explanations shector1 s review against another edition go to review page challenging emotional informative inspiring reflective tense medium paced spoiler from start to finish this was a raw volume of perfect world

**perfect world tome 10 10 amazon co uk aruga rie chujo** - Feb 10 2023

web buy perfect world tome 10 10 by aruga rie chujo chiharu isbn 9782369747970 from amazon s book store everyday low prices and free delivery on eligible orders

perfect world perfect world tome 10 google play - Mar 31 2022

web perfect world perfect world tome 10 ebook written by rie aruga read this book using google play books app on your pc android ios devices download for offline reading

**perfect world tome 10 10 aruga rie amazon com au books** - Jul 15 2023

web select the department you want to search in

**perfect world tome 10 perfect world tome 10 vf fnac** - Aug 16 2023

web jan 30 2020 perfect world tome 10 perfect world tome 10 vf rie aruga chiharu chujo akata des milliers de livres avec la livraison chez vous en 1 jour ou en magasin avec 5 de réduction ou téléchargez la version ebook

**perfect world tome 10 perfect world 10 by rie aruga goodreads** - Oct 18 2023

web nov 13 2019 perfect world tome 10 rie aruga 4 32 924 ratings102 reviews tsugumi et itsuki sont désormais officiellement unis par les liens du mariage le quotidien reprend son cours pour les deux adultes qui ont réussi à faire accepter leur couple par leur entourage et à trouver leur équilibre

**perfect world tome 10 perfect world 10 by rie aruga goodreads** - Sep 17 2023

web perfect world tome 10 perfect world 10 by rie aruga 4 33 rating details 600 ratings 73 reviews tsugumi et itsuki sont désormais officiellement unis par les liens du mariage le quotidien reprend son cours pour les deux adultes qui ont réussi à faire accepter leur couple par leur entourage et à trouver leur équilibre

**editions of perfect world tome 10 by rie aruga goodreads** - Jun 14 2023

web editions for perfect world tome 10 2369747978 mass market paperback published in 2020 1646511336 paperback published in 2022 8822620798 paperbac

**perfect world vol 10 kindle comixology amazon com** - Aug 04 2022

web feb 8 2022 perfect world vol 10 kindle edition by aruga rie aruga rie download it once and read it on your kindle device pc phones or tablets use features like bookmarks note taking and highlighting while reading perfect world vol 10

[perfect world tome 10 vf ebook by rie aruga rakuten kobo](#) - Feb 27 2022

web read perfect world tome 10 vf by rie aruga available from rakuten kobo sans toi ce monde serait imparfait avec perfect world rie aruga aborde la difficile question du handicap dans no

[blerdymama s review of perfect world tome 10 goodreads](#) - May 13 2023

web 5 5 after the emotional damage we were given in the previous volume i expected and looked forward to smooth sailing on a sea of happiness this go around that was not the case but i m actually happy about it in this volume our main couple is struggling with the challenges that come with planning a family they each take and express their woes

[perfect world volume 10 perfect world myanimelist net](#) - Oct 06 2022

web want to read the perfect world try out myanimelist official digital english language manga are available on myanimelist a new chapter now happily married tsugumi and itsuki start their life as newlyweds their relationship and careers are going smoothly and they cherish the everyday moments shared together