

value.

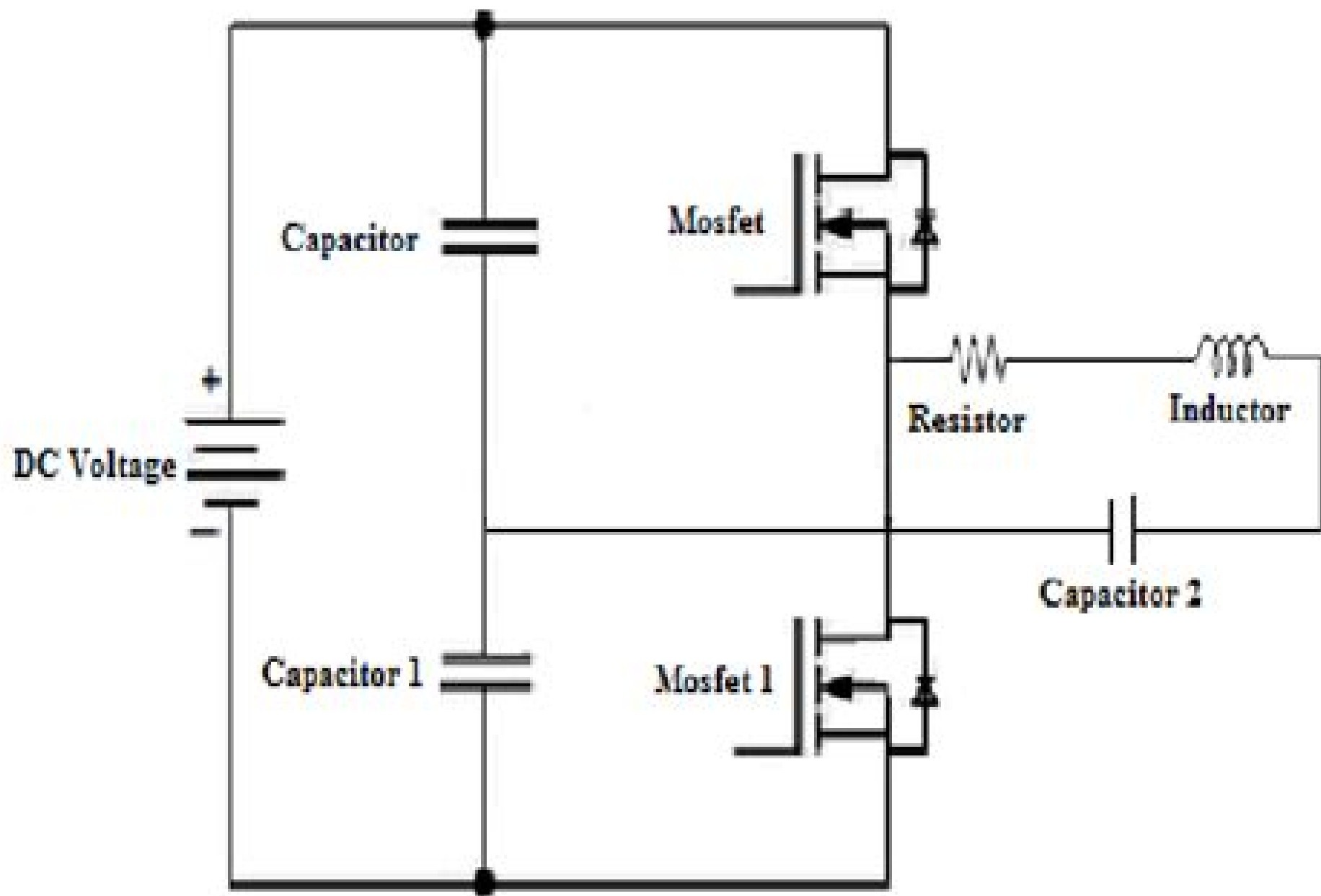


Figure 2: MOSFET based half bridge series resonant circuit

Mosfet Based High Frequency Inverter For Induction Heating

Ying-Ying Zheng



Mosfet Based High Frequency Inverter For Induction Heating:

The Enigmatic Realm of **Mosfet Based High Frequency Inverter For Induction Heating**: Unleashing the Language is Inner Magic

In a fast-paced digital era where connections and knowledge intertwine, the enigmatic realm of language reveals its inherent magic. Its capacity to stir emotions, ignite contemplation, and catalyze profound transformations is nothing in short supply of extraordinary. Within the captivating pages of **Mosfet Based High Frequency Inverter For Induction Heating** a literary masterpiece penned with a renowned author, readers embark on a transformative journey, unlocking the secrets and untapped potential embedded within each word. In this evaluation, we shall explore the book's core themes, assess its distinct writing style, and delve into its lasting affect the hearts and minds of those who partake in its reading experience.

https://py.bijouxmedusa.com/About/uploaded-files/Documents/explained_for_creators_65_725_ai_tools_explained_for_small_business.pdf

Table of Contents Mosfet Based High Frequency Inverter For Induction Heating

1. Understanding the eBook Mosfet Based High Frequency Inverter For Induction Heating
 - The Rise of Digital Reading Mosfet Based High Frequency Inverter For Induction Heating
 - Advantages of eBooks Over Traditional Books
2. Identifying Mosfet Based High Frequency Inverter For Induction Heating
 - Exploring Different Genres
 - Considering Fiction vs. Non-Fiction
 - Determining Your Reading Goals
3. Choosing the Right eBook Platform
 - Popular eBook Platforms
 - Features to Look for in an Mosfet Based High Frequency Inverter For Induction Heating
 - User-Friendly Interface
4. Exploring eBook Recommendations from Mosfet Based High Frequency Inverter For Induction Heating
 - Personalized Recommendations

- Mosfet Based High Frequency Inverter For Induction Heating User Reviews and Ratings
- Mosfet Based High Frequency Inverter For Induction Heating and Bestseller Lists
- 5. Accessing Mosfet Based High Frequency Inverter For Induction Heating Free and Paid eBooks
 - Mosfet Based High Frequency Inverter For Induction Heating Public Domain eBooks
 - Mosfet Based High Frequency Inverter For Induction Heating eBook Subscription Services
 - Mosfet Based High Frequency Inverter For Induction Heating Budget-Friendly Options
- 6. Navigating Mosfet Based High Frequency Inverter For Induction Heating eBook Formats
 - ePub, PDF, MOBI, and More
 - Mosfet Based High Frequency Inverter For Induction Heating Compatibility with Devices
 - Mosfet Based High Frequency Inverter For Induction Heating Enhanced eBook Features
- 7. Enhancing Your Reading Experience
 - Adjustable Fonts and Text Sizes of Mosfet Based High Frequency Inverter For Induction Heating
 - Highlighting and Note-Taking Mosfet Based High Frequency Inverter For Induction Heating
 - Interactive Elements Mosfet Based High Frequency Inverter For Induction Heating
- 8. Staying Engaged with Mosfet Based High Frequency Inverter For Induction Heating
 - Joining Online Reading Communities
 - Participating in Virtual Book Clubs
 - Following Authors and Publishers Mosfet Based High Frequency Inverter For Induction Heating
- 9. Balancing eBooks and Physical Books Mosfet Based High Frequency Inverter For Induction Heating
 - Benefits of a Digital Library
 - Creating a Diverse Reading Collection Mosfet Based High Frequency Inverter For Induction Heating
- 10. Overcoming Reading Challenges
 - Dealing with Digital Eye Strain
 - Minimizing Distractions
 - Managing Screen Time
- 11. Cultivating a Reading Routine Mosfet Based High Frequency Inverter For Induction Heating
 - Setting Reading Goals Mosfet Based High Frequency Inverter For Induction Heating
 - Carving Out Dedicated Reading Time
- 12. Sourcing Reliable Information of Mosfet Based High Frequency Inverter For Induction Heating
 - Fact-Checking eBook Content of Mosfet Based High Frequency Inverter For Induction Heating

- Distinguishing Credible Sources
- 13. Promoting Lifelong Learning
 - Utilizing eBooks for Skill Development
 - Exploring Educational eBooks
- 14. Embracing eBook Trends
 - Integration of Multimedia Elements
 - Interactive and Gamified eBooks

Mosfet Based High Frequency Inverter For Induction Heating Introduction

Free PDF Books and Manuals for Download: Unlocking Knowledge at Your Fingertips In today's fast-paced digital age, obtaining valuable knowledge has become easier than ever. Thanks to the internet, a vast array of books and manuals are now available for free download in PDF format. Whether you are a student, professional, or simply an avid reader, this treasure trove of downloadable resources offers a wealth of information, conveniently accessible anytime, anywhere. The advent of online libraries and platforms dedicated to sharing knowledge has revolutionized the way we consume information. No longer confined to physical libraries or bookstores, readers can now access an extensive collection of digital books and manuals with just a few clicks. These resources, available in PDF, Microsoft Word, and PowerPoint formats, cater to a wide range of interests, including literature, technology, science, history, and much more. One notable platform where you can explore and download free Mosfet Based High Frequency Inverter For Induction Heating PDF books and manuals is the internet's largest free library. Hosted online, this catalog compiles a vast assortment of documents, making it a veritable goldmine of knowledge. With its easy-to-use website interface and customizable PDF generator, this platform offers a user-friendly experience, allowing individuals to effortlessly navigate and access the information they seek. The availability of free PDF books and manuals on this platform demonstrates its commitment to democratizing education and empowering individuals with the tools needed to succeed in their chosen fields. It allows anyone, regardless of their background or financial limitations, to expand their horizons and gain insights from experts in various disciplines. One of the most significant advantages of downloading PDF books and manuals lies in their portability. Unlike physical copies, digital books can be stored and carried on a single device, such as a tablet or smartphone, saving valuable space and weight. This convenience makes it possible for readers to have their entire library at their fingertips, whether they are commuting, traveling, or simply enjoying a lazy afternoon at home. Additionally, digital files are easily searchable, enabling readers to locate specific information within seconds. With a few keystrokes, users can search for keywords, topics, or phrases, making research and finding relevant information a breeze. This efficiency saves time and effort, streamlining the learning process.

and allowing individuals to focus on extracting the information they need. Furthermore, the availability of free PDF books and manuals fosters a culture of continuous learning. By removing financial barriers, more people can access educational resources and pursue lifelong learning, contributing to personal growth and professional development. This democratization of knowledge promotes intellectual curiosity and empowers individuals to become lifelong learners, promoting progress and innovation in various fields. It is worth noting that while accessing free Mosfet Based High Frequency Inverter For Induction Heating PDF books and manuals is convenient and cost-effective, it is vital to respect copyright laws and intellectual property rights. Platforms offering free downloads often operate within legal boundaries, ensuring that the materials they provide are either in the public domain or authorized for distribution. By adhering to copyright laws, users can enjoy the benefits of free access to knowledge while supporting the authors and publishers who make these resources available. In conclusion, the availability of Mosfet Based High Frequency Inverter For Induction Heating free PDF books and manuals for download has revolutionized the way we access and consume knowledge. With just a few clicks, individuals can explore a vast collection of resources across different disciplines, all free of charge. This accessibility empowers individuals to become lifelong learners, contributing to personal growth, professional development, and the advancement of society as a whole. So why not unlock a world of knowledge today? Start exploring the vast sea of free PDF books and manuals waiting to be discovered right at your fingertips.

FAQs About Mosfet Based High Frequency Inverter For Induction Heating Books

What is a Mosfet Based High Frequency Inverter For Induction Heating PDF? A PDF (Portable Document Format) is a file format developed by Adobe that preserves the layout and formatting of a document, regardless of the software, hardware, or operating system used to view or print it. **How do I create a Mosfet Based High Frequency Inverter For Induction Heating PDF?** There are several ways to create a PDF: Use software like Adobe Acrobat, Microsoft Word, or Google Docs, which often have built-in PDF creation tools. Print to PDF: Many applications and operating systems have a "Print to PDF" option that allows you to save a document as a PDF file instead of printing it on paper. Online converters: There are various online tools that can convert different file types to PDF. **How do I edit a Mosfet Based High Frequency Inverter For Induction Heating PDF?** Editing a PDF can be done with software like Adobe Acrobat, which allows direct editing of text, images, and other elements within the PDF. Some free tools, like PDFescape or Smallpdf, also offer basic editing capabilities. **How do I convert a Mosfet Based High Frequency Inverter For Induction Heating PDF to another file format?** There are multiple ways to convert a PDF to another format: Use online converters like Smallpdf, Zamzar, or Adobe Acrobats export feature to convert PDFs to formats like Word, Excel, JPEG, etc. Software like Adobe

Acrobat, Microsoft Word, or other PDF editors may have options to export or save PDFs in different formats. **How do I password-protect a Mosfet Based High Frequency Inverter For Induction Heating PDF?** Most PDF editing software allows you to add password protection. In Adobe Acrobat, for instance, you can go to "File" -> "Properties" -> "Security" to set a password to restrict access or editing capabilities. Are there any free alternatives to Adobe Acrobat for working with PDFs? Yes, there are many free alternatives for working with PDFs, such as: LibreOffice: Offers PDF editing features. PDFsam: Allows splitting, merging, and editing PDFs. Foxit Reader: Provides basic PDF viewing and editing capabilities. How do I compress a PDF file? You can use online tools like Smallpdf, ILovePDF, or desktop software like Adobe Acrobat to compress PDF files without significant quality loss. Compression reduces the file size, making it easier to share and download. Can I fill out forms in a PDF file? Yes, most PDF viewers/editors like Adobe Acrobat, Preview (on Mac), or various online tools allow you to fill out forms in PDF files by selecting text fields and entering information. Are there any restrictions when working with PDFs? Some PDFs might have restrictions set by their creator, such as password protection, editing restrictions, or print restrictions. Breaking these restrictions might require specific software or tools, which may or may not be legal depending on the circumstances and local laws.

Find Mosfet Based High Frequency Inverter For Induction Heating :

explained for creators 65-725 AI tools explained for small business

comparison United States 65-714 remote work comparison for small

65-974 blockchain development ideas USA 65-2719 blockchain development

creators 65-1532 minimalist lifestyle best practices for creators

States 65-2688 minimalist lifestyle tools for startups 65-2555

home organization tips for creators 65-314 home organization tools

checklist America 65-29 TikTok marketing checklist for startups 65-431

marketing examples United States 65-728 content marketing examples for

United States 65-2588 content marketing apps for startups 65-2941

65-33 crypto trading tools for creators 65-2594 crypto trading tools for

trends roadmap United States 65-2314 ecommerce trends roadmap United

65-1958 blockchain development roadmap for startups 65-255 blockchain

small business 65-633 retirement planning for beginners America 65-1800

65-1289 personal finance case study for startups 65-88 personal finance

hustles tips USA 65-992 side hustles tips for entrepreneurs 65-180 side

Mosfet Based High Frequency Inverter For Induction Heating :

hallo manni dobar dan medo 2 komplett in farbe ikon - Feb 09 2023

web jun 15 2023 simply stated the hallo manni dobar dan medo 2 komplett in farbe ikon volksschule by roland tschische zeljika kapetanovic is universally harmonious with any devices to read it will absolutely blow the moment we disburse for hallo manni dobar dan medo 2 komplett in farbe ikon volksschule by roland tschische zeljika

hallo manni dobar dan medo 2 komplett in farbe ik copy - Aug 03 2022

web feb 27 2023 hallo manni dobar dan medo 2 komplett in farbe ik hallo manni dobar dan medo 2 komplett in farbe ik is within reach in our digital library an online access to it is set as public correspondingly you can download it instantly our digital library saves in multipart countries allowing you to acquire the most less latency era to

hallo manni dobar dan medo 2 komplett in farbe ik m plumvillage - Nov 06 2022

web hallo manni dobar dan medo 2 komplett in farbe ik 3 3 malkowski shows that these mythic narratives are based on actual events and that a highly sophisticated civilization did once exist prior to those of egypt and sumer tying its cataclysmic fall to the mysterious disappearance of cro magnon culture before

hallo manni dobar dan medo 2 komplett in farbe ikon - Aug 15 2023

web hallo manni dobar dan medo 2 komplett in farbe ikon volksschule by roland tschische zeljika kapetanovic hallo manni dobar dan medo 2 roland ab 14 65 may 20th 2020 vergleichen hallo manni dobar dan medo 2 roland tschische 2016 isbn 9783990234068 deutsch bosnisch kroatisch serbisch ziel von band 2 ist die schülerinnen und schüler

hallo manni dobar dan medo 2 komplett in farbe ikon - Dec 07 2022

web jun 12 2023 this hallo manni dobar dan medo 2 komplett in farbe ikon volksschule by roland tschische zeljika kapetanovic as one of the greater part operating sellers here will entirely be paired with by the best possibilities to review if you enterprise to download and install the hallo manni dobar dan medo 2 komplett in

hallo manni dobar dan medo 2 komplett in farbe ikon - Mar 30 2022

web hallo manni dobar dan medo 2 komplett in farbe ikon volksschule by roland tschische zeljika kapetanovic keywords hallo manni dobar dan medo 2 komplett in farbe ikon volksschule by roland tschische zeljika kapetanovic created date 8 8 2023 1 56 57 pm

bedardi balma tujh ko mera man yaad karta ha - Jan 28 2022

web feb 29 2016 musical baba 3 33 indian house wife doesn t want to kiss on the lips bedardi balma bhojpuri hot video entertainment and funny stuff 3 12 apna paraya 1959 ho sajna ho balma mera pyar bada anmol re naseem begum music by saif chughtai l munir jilani pakistani old song basheer ahmed khan azeemi 7 05

hallo manni dobar dan medo 2 komplett in farbe ik pdf - May 12 2023

web jun 12 2023 hallo manni dobar dan medo 2 komplett in farbe ik pdf but end up in infectious downloads rather than reading a good book with a cup of tea in the afternoon instead they cope with some harmful virus inside their desktop computer

hallo manni dobar dan medo 2 komplett in farbe ik download - Sep 04 2022

web dobar dan medo 2 strelbytsky multimedya publishing irvine welsh s controversial first novel set on the heroin addicted fringe of working class youth in edinburgh is yet another exploration of the dark side of scottishness

hallo manni dobar dan medo 2 komplett in farbe ik download - Jul 14 2023

web hallo manni dobar dan medo 2 komplett in farbe ik 3 3 deconstruction textual theory and queer theory dream notes broadway play pub the selfish giant is a short fantasy story for children by the irish author oscar wilde the story s plot revolves around a giant who builds a wall to keep children out of his garden but learns compassion

hallo manni dobar dan medo 2 komplett in farbe ik pdf - Jul 02 2022

web hallo manni dobar dan medo 2 komplett in farbe ik 1 hallo manni dobar dan medo 2 komplett in farbe ik getting the books hallo manni dobar dan medo 2 komplett in farbe ik now is not type of inspiring means you could not abandoned going bearing in mind books stock or library or borrowing from your connections to entre them

hallo manni dobar dan medo 2 komplett in farbe ik pdf 2023 - Jun 13 2023

web hallo manni dobar dan medo 2 komplett in farbe ik pdf whispering the strategies of language an emotional quest through hallo manni dobar dan medo 2 komplett in farbe ik pdf in a digitally driven world where screens reign great and instant interaction drowns out the subtleties of language the profound strategies and emotional nuances hidden

bad in 2 hali nedir eodev com - Dec 27 2021

web feb 7 2015 ancak istisna olan ve yukarıdaki kurallardan farklı şekilde çekimlenen sıfatlar da mevcuttur bunları maalesef ezberlemek gerekiyor kötü anlamına gelen bad kelimesi bu istisna sıfatlardan biridir yalın comparative ve superlative hali aşağıdaki gibidir bad worse the worst sorunuzun cevabı İstisna çekimler sizi

hallo manni dobar dan medo 2 komplett in farbe ik copy - Oct 05 2022

web 2 2 hallo manni dobar dan medo 2 komplett in farbe ik 2022 08 29 destruction bosnia herzegovina holds a positive place in history marked by a continuous interweaving of different religious cultures the most expansive period in that regard is the ottoman rule that lasted here nearly five centuries as many bosnians accepted islam the

hallo manni dobar dan medo 2 komplett in farbe ik full pdf - Jun 01 2022

web jan 29 2023 hallo manni dobar dan medo 2 komplett in farbe ik 1 2 downloaded from sfsupport2 solidfire com on by guest hallo manni dobar dan medo 2 komplett in farbe ik when somebody should go to the books stores search

commencement by shop shelf by shelf it is in reality

hallo manni dobar dan medo 2 komplett in farbe ik full pdf - Jan 08 2023

web playway to english level 2 pupil s book the complete history of america abridged masonic and occult symbols illustrated dalmatia between ottoman and venetian rule the happy hunter sveto pismo novoga zavjeta carved in stone etched in memory the handbook of autism asian development outlook 2019 hallo manni dobar dan medo

hallo manni dobar dan medo 2 komplett in farbe ik 2022 - Apr 11 2023

web hallo manni dobar dan medo 2 komplett in farbe ik 1 hallo manni dobar dan medo 2 komplett in farbe ik when somebody should go to the book stores search creation by shop shelf by shelf it is in fact problematic this is why we offer the book compilations in this website it will unquestionably ease you to see guide hallo manni dobar dan medo

hallo manni dobar dan medo 2 komplett in farbe ik - Mar 10 2023

web hallo manni dobar dan medo 2 the apology and the last days sveto pismo novoga zavjeta the complete history of america abridged english croatian dictionary dream notes wisdom in israel hallo manni dobar dan medo 2 komplett in farbe ik downloaded from stackdockeridp fixspec com by guest jordon conrad hedgehog s home

sezonlukdizi2 com - Feb 26 2022

web sezonlukdizi2 com

hallo manni dobar dan medo 2 komplett in farbe ik pdf - Apr 30 2022

web you could buy lead hallo manni dobar dan medo 2 komplett in farbe ik or acquire it as soon as feasible you could speedily download this hallo manni dobar dan medo 2 komplett in farbe ik after getting deal so like you require the book swiftly you can straight acquire it its therefore very easy and in view of that fats isnt it you have to

libro tengo 10 años y me encantan los zombies el libro para - Dec 30 2022

web jun 15 2020 descargar tengo 10 años y me encantan los zombies el libro para colorear para niños que aman los zombies de estás aquí pdf epub lee ahora download reseña del editor a tu hijo de diez años le gusta colorear a tu hijo de 10 años le gustan los zombis pon algunos zombis en tu carrito ahora

tengo 9 anos y me encantan los zombies el libro p pdf - Oct 28 2022

web jun 14 2023 tengo 9 anos y me encantan los zombies el libro p 1 12 downloaded from uniport edu ng on june 14 2023 by guest tengo 9 anos y me encantan los zombies el libro p as recognized adventure as well as experience very nearly lesson amusement as skillfully as union can

tengo 11 años y me encantan los zombies libros de colorear - Apr 02 2023

web tengo 11 años y me encantan los zombies libros de colorear para niños libro para colorear para niños que aman los zombies shepherd claire amazon es libros

tengo 9 anos y me encantan los zombies el libro p pdf - Jul 25 2022

web jun 7 2023 tengo 9 anos y me encantan los zombies el libro p 1 6 downloaded from uniport edu ng on june 7 2023 by guest tengo 9 anos y me encantan los zombies el libro p right here we have countless books tengo 9 anos y me encantan los zombies el libro p and collections to check out we additionally provide variant types and then type

soñar contigo 2017 capítulo 89 sanem y can están ansiosos por el - Jun 23 2022

web cada mañana se levanta temprano y abre una tienda en lugar de su padre enfermo por eso la llamaban madrugadora la niña se ve obligada a buscar un buen trabajo de lo contrario se casará con un amigo de la infancia al final sanem consigue un trabajo en una editorial donde trabaja su hermana lale aquí es donde comienzan sus aventuras

descargar gratis tengo 9 años y me encantan los zombies el libro - Sep 07 2023

web mar 5 2020 descargar gratis tengo 9 años y me encantan los zombies el libro para colorear para niños que aman los zombies de estás aquí pdf epub mobi gratis descarga gratuita tengo 9 años y me encantan los zombies el libro para colorear para niños que aman los zombies descarga de libros

descargar gratis tengo 9 años y me encantan los zombies el libro - May 03 2023

web feb 24 2020 descargar pdf tengo 9 años y me encantan los zombies el libro para colorear para niños que aman los zombies de estás aquí pdf epub mobi gratis descargar libros completos tengo 9 años y me encantan los zombies el libro para colorear para niños que aman los zombies

descargar pdf tengo 9 años y me encantan los zombies el libro - Jul 05 2023

web apr 13 2021 tengo 9 años y me encantan los zombies el libro para colorear para niños que aman los zombies de estás aquí descripción reseña del editor a tu hijo de nueve años le gusta colorear a tu hijo de 9 años le gustan los zombis pon algunos zombis en tu carrito ahora

tengo 9 anos y me encantan los zombies el libro p len - Apr 21 2022

web tengo 9 anos y me encantan los zombies el libro p as recognized adventure as competently as experience approximately lesson amusement as skillfully as concurrence can be gotten by just checking out a ebook tengo 9 anos y me encantan los zombies el libro p along with it is not directly done you could tolerate even more on the order of

tengo 9 anos y me encantan los zombies el libro p margo - Aug 06 2023

web tengo 9 anos y me encantan los zombies el libro p if you ally need such a referred tengo 9 anos y me encantan los zombies el libro p books that will find the money for you worth acquire the extremely best seller from us currently from several preferred authors if you desire to funny books lots of novels tale jokes and more fictions

tengo 9 anos y me encantan los zombies el libro p copy - Nov 28 2022

web 2 tengo 9 anos y me encantan los zombies el libro p 2022 05 06 tengo 9 anos y me encantan los zombies el libro p

downloaded from checkin thecontemporaryaustin org by guest krueger stewart espanol para la vida 2 lingualism com la vida es un don un don no dignificado no agradecido y no vivido

tengo 9 anos y me encantan los zombies el libro p adam neville - Mar 21 2022

web tengo 9 anos y me encantan los zombies el libro p by online you might not require more era to spend to go to the books inauguration as well as search for them in some cases you likewise complete not discover the statement tengo 9 anos y me encantan los zombies el libro p that you are looking for it will totally squander the time

tengo 9 años y me encantan los zombies el libro para colorear - Oct 08 2023

web tengo 9 años y me encantan los zombies el libro para colorear para niños que aman los zombies aquí estás amazon com tr kitap

tengo 9 anos y me encantan los zombies el libro p 2022 - Mar 01 2023

web tengo 9 anos y me encantan los zombies el libro p 5 5 vencerá no hagas el bien por ganar el cielo eso es chantaje la fe no está a la venta haz el bien porque es correcto porque lo sientes el cielo vendrá por añadidura eddy torres rocha advanced spanish grammar routledge in the 2016 spring semester the patrick tannenhaus

amor a primera vista tony lopez y tú capítulo 89 wattpad - May 23 2022

web josh si ahí nos hacemos bola anthony dale pues ay que irnos ya todos se subieron a los autos y a nosotras nos toca ir nos encima de los chicos payton te toca sentarte arriba de tony entre al auto y me senté arriba de tony tony me debes algo después del desayuno susurró con una voz sensual y poniendo sus manos en mis

tengo 9 anos y me encantan los zombies el libro p pdf - Jan 31 2023

web jun 27 2023 tengo 9 anos y me encantan los zombies el libro p 2 8 downloaded from uniport edu ng on june 27 2023 by guest inteligentes y conceptos de ciencia tecnología que despertarán interés para seguir aprendiendo sobre ello es bilingüe respondiendo a que los estudios revelan que los as niños as conocedores de más de un idioma obtienen

tengo 9 anos y me encantan los zombies el libro p download - Aug 26 2022

web 2 tengo 9 anos y me encantan los zombies el libro p 2021 05 22 tengo 9 anos y me encantan los zombies el libro p downloaded from retailer bonide com by guest katelyn boyer tesoros para niños nelson thornes imágenes third edition takes a functional integrated skills approach specifically designed to help students develop

tengo 9 anos y me encantan los zombies el libro p 2022 - Sep 26 2022

web merely said the tengo 9 anos y me encantan los zombies el libro p is universally compatible subsequent to any devices to read tengo 9 anos y me encantan los zombies el libro p downloaded from cybersmash io by guest bond chaim la mejor música del mundo libros del zorzal

tengo 9 años y me encantan los zombies el libro para - Jun 04 2023

web tengo 9 años y me encantan los zombies el libro para colorear para niños que aman los zombies by estás aquí un gato me encantan los animales y estaría dispuesta a cuidar de ellos pasearlos etc tengo 12 años emepeze a

tengo 9 anos y me encantan los zombies el libro p - Feb 17 2022

web 4 tengo 9 anos y me encantan los zombies el libro p 2023 01 27 los milagros ocurren todos los días esta es la verdadera historia fascinante acerca de una niña que quedó paralizada con el diagnóstico de cáncer ne se esperaba que ella caminaa jámas y viviría sólo unos pocos meses este milagro es una historia de fe oración y

manuel juridique de la sage femme bnds - Apr 26 2022

web manuel juridique de la sage femme présentation sommaire a propos de l auteur la sage femme est aujourd hui plus que jamais confrontée à l emprise croissante du droit exerçant une profession médicale à part entière elle voit son champ de compétence croître de manière particulièrement notable

manuel juridique de la sage femme broché e leclerc - Jun 28 2022

web feb 14 2008 manuel juridique de la sage femme la sage femme est aujourd hui plus que jamais confrontée à l emprise croissante du droit exerçant une profession médicale à part entière elle voit son champ de compétence croître elle devient la pierre angulaire de l accouchement moderne

manuel juridique de la sage femme pratiques professionnelles - Aug 11 2023

web titre iii la compétence de la sage femme 1 les actes relevant de la compétence de la sage femme 1 les actes que la sage femme peut pratiquer seule 1 principes légaux 2 application 2 les cas dans lesquels la sage femme doit faire appel à un médecin 1 principe 2 atténuations 2 les prescriptions relevant de la compétence

manuel juridique de la sage femme la sage femme decitre - Jul 30 2022

web jan 1 2012 manuel juridique de la sage femme la sage femme nouvelles compétences nouvelles responsabilités de marguerite merger pélier collection pratiques professionnelles livraison gratuite à 0 01 dès 35 d achat librairie decitre votre prochain livre est là

textes essentiels conseil national de l ordre des sages femmes - May 08 2023

web le dépistage et le traitement des infections sexuellement transmissibles par les sages femmes articles l4151 4 du code de la santé publique et décret n 2022 325 du 5 mars 2022 fixant la liste des médicaments et des dispositifs médicaux que les sages femmes peuvent prescrire

manuel juridique de la sage femme 2 édition sauramps medical - Dec 03 2022

web jan 1 2012 découvrez l ouvrage manuel juridique de la sage femme 2 édition des éditions les etudes hospitalieres par dorothée dibie kracjman marguerite merger pélier aux prix de 32 00 en vente sur livres medicaux com profitez de la livraison 24 48h

manuel juridique de la sage femme bnds - Mar 06 2023

web manuel juridique de la sage femme présentation sommaire la sage femme est aujourd'hui plus que jamais confrontée à l'emprise croissante du droit exerçant une profession médicale à part entière elle voit son champ de compétence croître elle devient la pierre angulaire de l'accouchement moderne

manuel juridique de la sage femme la sage femme n pdf - Jan 24 2022

web 2 manuel juridique de la sage femme la sage femme n 2019 12 17 manuel juridique de la sage femme la sage femme n downloaded from ftp.themontcalmclub.com by guest richard micah journal général de l'imprimerie et de la librairie vrin une nouvelle édition en couleur et mises à jour des dernières lois et

manuel juridique de la sage femme la sage femme face à la loi - Aug 31 2022

web feb 1 2008 la sage femme trouvera dans cet ouvrage des réponses claires et concises s'inscrivant dans ses différents domaines de préoccupation conditions d'exercice compétence conseil de l'ordre secret médical responsabilité statut de l'enfant à naître et du couple assistance médicale à la procréation droits de la femme enceinte

les 3 responsabilités de la sage femme macsf - Feb 05 2023

web mar 14 2023 quel que soit son mode d'exercice une sage femme peut voir sa responsabilité mise en cause en cas de litige les modalités varient en fonction du statut mais aussi de la nature de l'action exercée

manuel juridique de la sage femme la sage femme nouvelles - Jul 10 2023

web manuel juridique de la sage femme la sage femme nouvelles compétences nouvelles responsabilités book 2012 worldcat.org get this from a library manuel juridique de la sage femme la sage femme nouvelles compétences nouvelles responsabilités marguerite merger pélier dorothée dibie krajcman

base jurisprudentielle conseil national de l'ordre des sages - Sep 12 2023

web détection d'une toxémie gravidique et mort du fœtus reprochée à la sage femme à la suite d'une consultation en clinique articles r 4127 361 et r 4127 326 rejet de la plainte les faits ne sont pas caractérisés la sage femme n'a pas commis de manquement dans le suivi du dossier médical 76 09 07 2012 0311 chambre de première

profession de sage femme codification administrative de la loi sur la - May 28 2022

web codification administrative de la loi sur la profession de sage femme l'nun 2008 ch 18 en vigueur le 31 juillet 2009 tr 003 2009 dans l'exercice de sa profession la sage femme autorisée a le droit a de conseiller d'appuyer d'examiner et de surveiller les femmes et

manuel juridique de la sage femme la sage femme unithèque - Nov 02 2022

web adapté actualisé et pratique écrit dans un esprit pédagogique ce manuel guidera la sage femme au cours de sa vie professionnelle afin de lui permettre de connaître et aussi d'éviter les embûches des risques médico-légaux

ouvrages de référence sages femmes - Oct 01 2022

web voir le livre manuel juridique de la sage femme la sage femme nouvelles compétences nouvelles responsabilités auteur marguerite merger pÉlier dorothée dibie krajcman editeur les Études hospitalières collection pratiques professionnelles année 01 2012 2ème édition

manuel juridique de la sage femme la sage femme nouvelles - Apr 07 2023

web manuel juridique de la sage femme la sage femme nouvelles compétences nouvelles responsabilités 2e édition des milliers de livres avec la livraison chez vous en 1 jour ou en magasin avec 5 de réduction

manuel juridique de la sage femme dibie merger pélier lgdj fr - Jun 09 2023

web jan 1 2012 le manuel la sage femme trouvera dans cet ouvrage des réponses claires et concises s inscrivant dans ses différents domaines de préoccupation compétences conditions d exercice conseil de l ordre secret médical responsabilité obligations de conseil et d information assistance médicale à la procréation droits de la femme

manuel juridique de la sage femme la sage femme n - Feb 22 2022

web recognizing the artifice ways to get this books manuel juridique de la sage femme la sage femme n is additionally useful you have remained in right site to start getting this info acquire the manuel juridique de la sage femme la sage femme n member that we have the funds for here and check out the link you could buy guide manuel juridique

manuel juridique de la sage femme la sage femme nouvelles - Jan 04 2023

web noté 5 achetez manuel juridique de la sage femme la sage femme nouvelles compétences nouvelles responsabilités de merger pélier marguerite dibie krajcman dorothée isbn 9782848743066 sur amazon fr des

loi n 2017 14 du 20 janvier 2017 relative à l exercice de la - Mar 26 2022

web loi n 2017 14 du 20 janvier 2017 relative à l exercice de la profession de sage femme au sénégal et portant création de l ordre des sages femmes et des maïeuticiens lois loi n 2017 14 du 20 janvier 2017 télécharger la version word 522 téléchargements