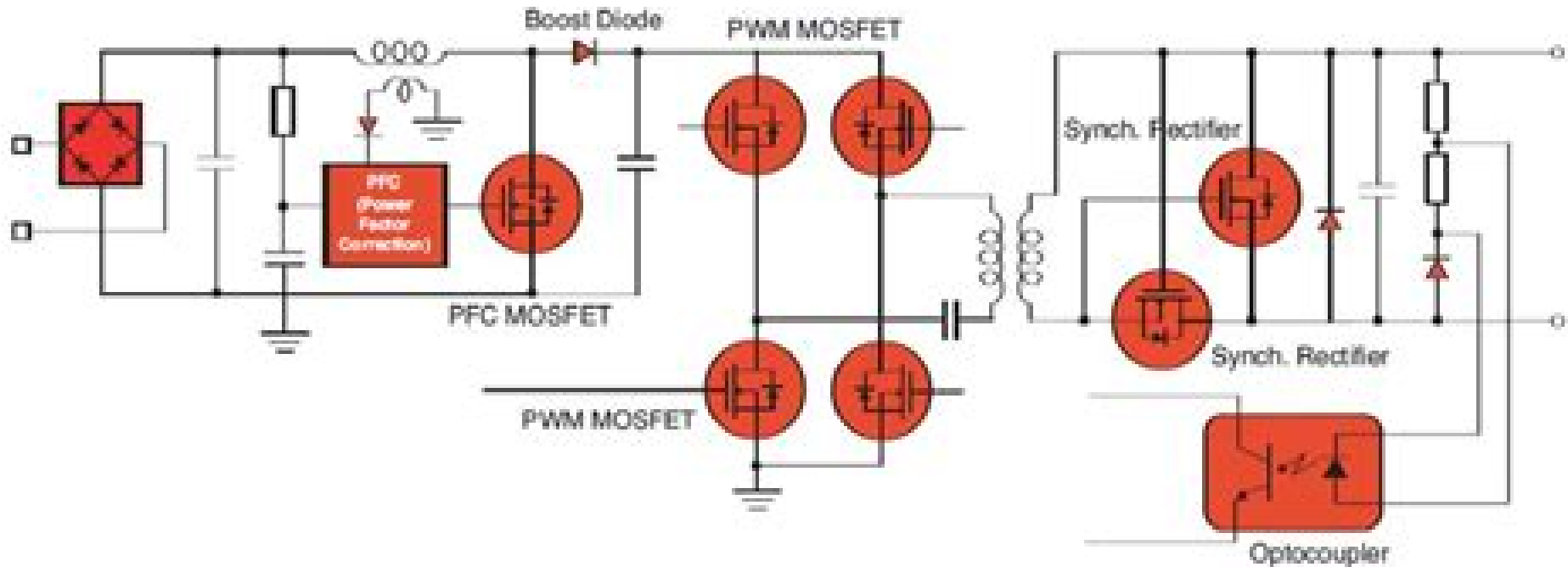


# SMPS DESIGN GUIDE

500W Telecom/Server ZVS Phase-Shift Full Bridge Switch Mode Power Supply



## Suggested Products

Bridge Rectifier	PFC IC	PFC MOSFET	Boost Diode	PWM MOSFET	Synch. Rectifier	Optocoupler
2KBP10M	ML4821	FQA24N50	ISL9R860	FGH18N50V2	FDPO60AN08A0	H11A817
GBU4M	FAN4810	FCP11N60	IRL9R1560	FQA24N50	FDPO47AN08A0	MOC819
GBU6M	FAN4822	FCP20N60	RHRP860	FDH27N50	FDP3652	
KB110		FDH44N50	RHRP1560	FDH44N50	FDP3632	
				FCP11N60	FGP90N10V2	
				FCP20N60		

# Smps Design Guide

**J Dewey**



## **Smps Design Guide:**

As recognized, adventure as well as experience about lesson, amusement, as well as accord can be gotten by just checking out a books **Smps Design Guide** as well as it is not directly done, you could bow to even more going on for this life, more or less the world.

We meet the expense of you this proper as with ease as simple mannerism to get those all. We pay for Smps Design Guide and numerous books collections from fictions to scientific research in any way. in the course of them is this Smps Design Guide that can be your partner.

[https://py.bijouxmedusa.com/files/publication/HomePages/Piaggio\\_Mp3\\_500\\_Business\\_Instruction.pdf](https://py.bijouxmedusa.com/files/publication/HomePages/Piaggio_Mp3_500_Business_Instruction.pdf)

## **Table of Contents Smps Design Guide**

1. Understanding the eBook Smps Design Guide
  - The Rise of Digital Reading Smps Design Guide
  - Advantages of eBooks Over Traditional Books
2. Identifying Smps Design Guide
  - Exploring Different Genres
  - Considering Fiction vs. Non-Fiction
  - Determining Your Reading Goals
3. Choosing the Right eBook Platform
  - Popular eBook Platforms
  - Features to Look for in an Smps Design Guide
  - User-Friendly Interface
4. Exploring eBook Recommendations from Smps Design Guide
  - Personalized Recommendations
  - Smps Design Guide User Reviews and Ratings
  - Smps Design Guide and Bestseller Lists
5. Accessing Smps Design Guide Free and Paid eBooks

- Smps Design Guide Public Domain eBooks
  - Smps Design Guide eBook Subscription Services
  - Smps Design Guide Budget-Friendly Options
6. Navigating Smps Design Guide eBook Formats
    - ePub, PDF, MOBI, and More
    - Smps Design Guide Compatibility with Devices
    - Smps Design Guide Enhanced eBook Features
  7. Enhancing Your Reading Experience
    - Adjustable Fonts and Text Sizes of Smps Design Guide
    - Highlighting and Note-Taking Smps Design Guide
    - Interactive Elements Smps Design Guide
  8. Staying Engaged with Smps Design Guide
    - Joining Online Reading Communities
    - Participating in Virtual Book Clubs
    - Following Authors and Publishers Smps Design Guide
  9. Balancing eBooks and Physical Books Smps Design Guide
    - Benefits of a Digital Library
    - Creating a Diverse Reading Collection Smps Design Guide
  10. Overcoming Reading Challenges
    - Dealing with Digital Eye Strain
    - Minimizing Distractions
    - Managing Screen Time
  11. Cultivating a Reading Routine Smps Design Guide
    - Setting Reading Goals Smps Design Guide
    - Carving Out Dedicated Reading Time
  12. Sourcing Reliable Information of Smps Design Guide
    - Fact-Checking eBook Content of Smps Design Guide
    - Distinguishing Credible Sources
  13. Promoting Lifelong Learning
    - Utilizing eBooks for Skill Development

- Exploring Educational eBooks
14. Embracing eBook Trends
- Integration of Multimedia Elements
  - Interactive and Gamified eBooks

### **Smps Design Guide Introduction**

Free PDF Books and Manuals for Download: Unlocking Knowledge at Your Fingertips In today's fast-paced digital age, obtaining valuable knowledge has become easier than ever. Thanks to the internet, a vast array of books and manuals are now available for free download in PDF format. Whether you are a student, professional, or simply an avid reader, this treasure trove of downloadable resources offers a wealth of information, conveniently accessible anytime, anywhere. The advent of online libraries and platforms dedicated to sharing knowledge has revolutionized the way we consume information. No longer confined to physical libraries or bookstores, readers can now access an extensive collection of digital books and manuals with just a few clicks. These resources, available in PDF, Microsoft Word, and PowerPoint formats, cater to a wide range of interests, including literature, technology, science, history, and much more. One notable platform where you can explore and download free Smps Design Guide PDF books and manuals is the internet's largest free library. Hosted online, this catalog compiles a vast assortment of documents, making it a veritable goldmine of knowledge. With its easy-to-use website interface and customizable PDF generator, this platform offers a user-friendly experience, allowing individuals to effortlessly navigate and access the information they seek. The availability of free PDF books and manuals on this platform demonstrates its commitment to democratizing education and empowering individuals with the tools needed to succeed in their chosen fields. It allows anyone, regardless of their background or financial limitations, to expand their horizons and gain insights from experts in various disciplines. One of the most significant advantages of downloading PDF books and manuals lies in their portability. Unlike physical copies, digital books can be stored and carried on a single device, such as a tablet or smartphone, saving valuable space and weight. This convenience makes it possible for readers to have their entire library at their fingertips, whether they are commuting, traveling, or simply enjoying a lazy afternoon at home. Additionally, digital files are easily searchable, enabling readers to locate specific information within seconds. With a few keystrokes, users can search for keywords, topics, or phrases, making research and finding relevant information a breeze. This efficiency saves time and effort, streamlining the learning process and allowing individuals to focus on extracting the information they need. Furthermore, the availability of free PDF books and manuals fosters a culture of continuous learning. By removing financial barriers, more people can access educational resources and pursue lifelong learning, contributing to personal growth and professional development. This democratization of knowledge promotes intellectual curiosity and empowers

individuals to become lifelong learners, promoting progress and innovation in various fields. It is worth noting that while accessing free Smps Design Guide PDF books and manuals is convenient and cost-effective, it is vital to respect copyright laws and intellectual property rights. Platforms offering free downloads often operate within legal boundaries, ensuring that the materials they provide are either in the public domain or authorized for distribution. By adhering to copyright laws, users can enjoy the benefits of free access to knowledge while supporting the authors and publishers who make these resources available. In conclusion, the availability of Smps Design Guide free PDF books and manuals for download has revolutionized the way we access and consume knowledge. With just a few clicks, individuals can explore a vast collection of resources across different disciplines, all free of charge. This accessibility empowers individuals to become lifelong learners, contributing to personal growth, professional development, and the advancement of society as a whole. So why not unlock a world of knowledge today? Start exploring the vast sea of free PDF books and manuals waiting to be discovered right at your fingertips.

## FAQs About Smps Design Guide Books

**What is a Smps Design Guide PDF?** A PDF (Portable Document Format) is a file format developed by Adobe that preserves the layout and formatting of a document, regardless of the software, hardware, or operating system used to view or print it.

**How do I create a Smps Design Guide PDF?** There are several ways to create a PDF: Use software like Adobe Acrobat, Microsoft Word, or Google Docs, which often have built-in PDF creation tools. Print to PDF: Many applications and operating systems have a "Print to PDF" option that allows you to save a document as a PDF file instead of printing it on paper. Online converters: There are various online tools that can convert different file types to PDF.

**How do I edit a Smps Design Guide PDF?** Editing a PDF can be done with software like Adobe Acrobat, which allows direct editing of text, images, and other elements within the PDF. Some free tools, like PDFescape or Smallpdf, also offer basic editing capabilities.

**How do I convert a Smps Design Guide PDF to another file format?** There are multiple ways to convert a PDF to another format: Use online converters like Smallpdf, Zamzar, or Adobe Acrobat's export feature to convert PDFs to formats like Word, Excel, JPEG, etc. Software like Adobe Acrobat, Microsoft Word, or other PDF editors may have options to export or save PDFs in different formats.

**How do I password-protect a Smps Design Guide PDF?** Most PDF editing software allows you to add password protection. In Adobe Acrobat, for instance, you can go to "File" -> "Properties" -> "Security" to set a password to restrict access or editing capabilities. Are there any free alternatives to Adobe Acrobat for working with PDFs? Yes, there are many free alternatives for working with PDFs, such as: LibreOffice: Offers PDF editing features. PDFsam: Allows splitting, merging, and editing PDFs. Foxit Reader: Provides basic PDF viewing and editing capabilities. How do I compress a PDF file?

You can use online tools like Smallpdf, ILovePDF, or desktop software like Adobe Acrobat to compress PDF files without significant quality loss. Compression reduces the file size, making it easier to share and download. Can I fill out forms in a PDF file? Yes, most PDF viewers/editors like Adobe Acrobat, Preview (on Mac), or various online tools allow you to fill out forms in PDF files by selecting text fields and entering information. Are there any restrictions when working with PDFs? Some PDFs might have restrictions set by their creator, such as password protection, editing restrictions, or print restrictions. Breaking these restrictions might require specific software or tools, which may or may not be legal depending on the circumstances and local laws.

### **Find Smps Design Guide :**

**piaggio mp3 500 business instruction**

[plankton air tawar](#)

**perkins 1004 4 engine**

[photosynthesis test questions and answers](#)

**philosophy in the classroom by matthew lipman**

**potter and perry fundamentals of nursing 7th edition table contents**

**poker tournament masterclass poker mtt strategy course**

[pirates of the caribbean for trombone bk online audio hal leonard instrumental play along](#)

**physics principles and problems chapter 9 study guide answer**

[permutacije varijacije i kombinacije bez ponavljanja](#)

[physical diagnosis secrets by mangione md salvatore mosby2007 paperback 2nd edition](#)

[power plant engineering by frederick t morse pdf](#)

[pharmaceutical manufacturing facility ispe th](#)

**penguin active reading teacher s notes level 3**

[physical science 10th edition tillery](#)

### **Smps Design Guide :**

*implementing sqf systems exam manufacturing sqf food* - Feb 26 2022

web jul 23 2020 course overview the implementing sqf systems manufacturing examination assesses the knowledge of the food industry professional of the sqf food safety code the manufacturing examination addresses topics relevant to those sites

that pre process or process product including sqf food sector categories 7 to 22 25 26

[safe quality foods sqf workforce csi sqf practitioner practice](#) - Apr 30 2022

web description get introduced for the sqf system and prepare to take to sqf practitioner exam during this two day course you will gain an understanding of the sqf code and how to apply it to food manufacturing with practical exercises to reinforce learning you will be can to successfully implement and maintain any sqf system walk away the

**implementing sqf systems manufacturing exam sqfi** - Mar 30 2022

web the implementing sqf systems manufacturing examination assesses the knowledge of the food industry professional of the sqf food safety code the manufacturing examination addresses topics relevant to those sites that pre process or process product including sqf food sector categories 4 7 through 34

[implementing sqf systems manufacturing exam zosi learning](#) - Sep 04 2022

web the implementing sqf systems manufacturing examination assesses the knowledge of the food industry professional of the sqf food safety code the manufacturing examination addresses topics relevant to those sites that pre process or process product including sqf food sector categories 4 7 to 22 25 and 31 through 34

[sqf guidance tip sheets and checklists sqfi](#) - Dec 27 2021

web sqf institute s library of guidance documents tipsheets and checklists for gfsi benchmarked food safety or global markets program stakeholders online courses exams in person training 2024 sqf unites sqf excellence awards sqf365 events sqfi store retailers buyers sample checklist english sqf edition 9 animal

**sqf training and examination faqs sqfi sqf practice exam** - May 12 2023

web sqf certified site directory events training online courses exams in person educational 2024 sqf unites sqf excellence awards sqf365 events sqfi store retailer buyers benefits on buyers sqf certified site directory how on the supply fastening compliance and core browse member

[sqf training and examination faqs sqfi sqf practice exam](#) - Oct 05 2022

web sqf certified site directory events training online courses exams in person training 2024 sqf connects sqf excellence awards sqf365 events sqfi store retailers buyers benefits for buyers sqf affirmed site directory impact on the supply chain compliance also integrity programs

[sqf practice exam spring 2018 flashcards quizlet](#) - Aug 15 2023

web study with quizlet and memorize flashcards containing terms like which of the following is required as part of the development of an sqf system what is identified in the site s scope of certification how often must the site register in the sqf database and more

[sqf quality systems exam zosi learning](#) - Nov 06 2022

web the primary audience for the sqf quality systems examination are those individuals seeking to demonstrate knowledge of implementing the sqf quality code and food quality systems the sqf quality systems examination assesses the knowledge of the sqf quality professional

**sqf practitioner certification flashcards quizlet** - Apr 11 2023

web systematic and independent examination of a supplier s sqf system by an sqf auditor to determine whether food safety hygiene and management activities are undertaken in accordance w system documentation and comply w requirements of sqf as appropriate and to verify whether arrangements are implemented effectively

implementing sqf quality systems exam sqfi - Jan 28 2022

web implementing sqf quality systems exam the sqf quality code is designed to monitor and control food quality related threats and is most suited for sites who have in place a successful robust food safety plan and is certified to a gfsi recognized program for example one of the sqf food safety codes

**sqf practitioner training courses exams zosi learning** - Jan 08 2023

web aug 8 2023 the implementing sqf systems manufacturing examination assesses the knowledge of the food industry professional of the sqf food safety code the manufacturing examination addresses topics relevant to those sites that pre process or process product including sqf food sector categories 4 7 to 22 25 and 31 through 34

**advanced sqf practitioner exam zosi learning** - Dec 07 2022

web passing the primary production pre farm exam or the manufacturing post farm exam is required for sqf consultants and instructors it s also a way for sqf practitioners to demonstrate their knowledge of the sqf code whereas the advanced sqf practitioner exam is intended to assess the knowledge of the experienced sqf practitioner

**sqf training and examination faqs sqfi** - Jun 13 2023

web sqf provides training for all sqf professionals however the implementing sqf systems course and advanced sqf practitioner course are offered through licensed sqf training centers what is the difference between the implementing sqf systems online training and the on site training offered by an sqf licensed training center

*sqf exam part a review flashcards quizlet* - Mar 10 2023

web study with quizlet and memorize flashcards containing terms like what is required of a site to be considered for sqf certification when must a site register with sqfi a site may use their own qualified resources or they can utilize and more *online courses exams sqfi* - Jul 14 2023

web advanced sqf practitioner exam implementing sqf quality systems exam implementing sqf systems primary production exam implementing sqf systems manufacturing exam auditing sqf quality systems exam auditing sqf food safety systems exam risk management exam

**tips on taking the advanced sqf practitioner exam ifsqn** - Aug 03 2022

web sep 2 2022 tips on taking the advanced sqf practitioner exam posted in employment personal development i ve taken the test twice and failed any help tips i m taking it on zosi learning

**sqf training and examination faqs sqfi advanced sqf practitioner exam** - Feb 09 2023

web what is the sqf program welche choose is right for mee sqf fundamentals program sqf snack safety program sqf value program sqfi food serve program online distance exams in person training 2024 sqf unites sqf virtue awards sqf365 events sqfi store retailers buyers gains to buyers sqf endorsed site folder

**auditing sqf food safety systems exam zosi learning** - Jun 01 2022

web under the sqf code edition 9 professionals seeking registration as sqf food safety certification auditors must complete the auditing sqf food safety systems examination as part of their registration individuals will be allowed a total of three attempts to successfully complete the examination the examination must be completed within 14

**advanced sqf practitioner exam sqfi** - Jul 02 2022

web advanced sqf practitioner exam the advanced sqf practitioner examination is intended to assess the knowledge of the experienced sqf practitioner and evaluates the following topic areas developing smart food safety and quality objectives to identify and prioritize areas of improvement

**odesk microsoft outlook 2010 test youtube** - Feb 07 2022

web mar 16 2016 it is included in the microsoft office package which also includes word and powerpoint the microsoft excel 2010 whole test combines both the normal and

**microsoft outlook 2010 pt 1 setup options signature view** - Sep 14 2022

web microsoft outlook 2013 proveit test author walther specht from mypthumb com subject microsoft outlook 2013 proveit test keywords

**microsoft outlook 2013 proveit test tug do nlnetlabs nl** - Nov 04 2021

web microsoft outlook 2013 proveit test can be one of the options to accompany you past having supplementary time it will not waste your time understand me the e book will

**microsoft outlook 2013 proveit test mypthumb com** - Aug 13 2022

web jul 13 2023 candidates for the microsoft office specialist mos outlook 2013 exam can format email message content by using character and paragraph formatting create

**free online microsoft outlook test isograd testing services** - Apr 21 2023

web nov 17 2012 word powerpoint excel outlook onenote access publisher ve lync pakette yerini almış durumda deneme sürümünü indirmek için öncelikle en alttaki

**test outlookconnectivity exchangepowershell microsoft learn** - Feb 19 2023

web outlook 2013 de exchange sunucusuna bağlanmaya çalıştığınızda aşağıdaki hata iletisini alırsınız bu bölgeyle alışverişini bilgi görüntülenemez veya başkaları tarafından

**prove it outlook test results 1 slideshare** - Jun 23 2023

web oct 22 2015 test results for jaimy aquino company name bond street group test administrator recruiter s email resume bondstreetgroup com test name microsoft

*microsoft outlook 2013 proveit test pdf pdf download sbrick* - May 10 2022

web apr 28 2023 microsoft outlook 2013 proveit test below essential words for the gre philip geer 2010 07 01 an extensive working vocabulary is a prerequisite for test taking

**hangi outlook sürümüne sahibim microsoft desteği** - Nov 16 2022

web apr 26 2023 windows search hizmeti ni kullanmamak veya yüklememek isterseniz outlook ta izin oluşturmayı devre dışı bırakabilirsiniz bunu yapmak için şu adımları

microsoft office 2013 hizmet paketi 1 sp1 açıklaması - Dec 17 2022

web web üzerinde outlook u kullanarak kişilerinizi ve e postanızı içeri veya dışarı aktaramazsınız kişilerinizi içeri veya dışarı aktarmak için outlook uygulamasının 2016

microsoft outlook 2013 proveit test pdf uniport edu - Apr 09 2022

web jun 5 2023 uncover the newspaper microsoft outlook 2013 proveit test that you are looking for microsoft outlook 2013 proveit test is accessible in our novel

**proveit excel slideshare** - Jan 06 2022

web microsoft outlook 2013 proveit test author woldemar klugmann from sendmail3 screenrec com subject microsoft outlook 2013 proveit test keywords

office 2013 ü bedava indirin chip online - Mar 20 2023

web module exchangepowershell applies to exchange server 2010 exchange server 2013 exchange server 2016 exchange server 2019 this cmdlet is available only in on

**exam prep microsoft outlook 2010 2013 2016 youtube** - Aug 25 2023

web apr 20 2014 in this tutorial video learn about exam question answers for microsoft outlook 2013 2010 the ideas presented here and in the 3 ms outlook tutorials can

exam 77 423 microsoft outlook 2013 certifications - Jul 12 2022

web right site to start getting this info get the microsoft outlook 2013 proveit test link that we offer here and check out the link you could purchase lead microsoft outlook 2013

**microsoft outlook 2013 proveit test sendmail3 screenrec com** - Dec 05 2021

web aug 29 2023 title microsoft outlook 2013 proveit test author tug do nlnetlabs nl 2023 08 29 20 20 26 subject microsoft outlook 2013 proveit test keywords

**microsoft outlook 2013 proveit test microsoft press** - Oct 03 2021

outlook 2013 sertifika sorun oluřursa exchange sunucusuna - Jan 18 2023

web giriř microsoft office 2013 hizmet paketi 1 sp1 office 2013 için en son güncelleřtirmeleri saęlar bu hizmet paketi iki tür düzeltme içerir bu hizmet paketinde

**outlook 2013 bařlatılırken windows microsoft office 64 bit** - Oct 15 2022

web the material covered in the 3 video tutorial will prepare you for using outlook 2010 also pass exam tests in this video learn to setup microsoft outlook 2

**microsoft outlook 2013 proveit test pdf kraagency** - Jun 11 2022

web microsoft outlook 2013 proveit test pdf 1 1 downloaded from download sbrick com on january 21 2023 by guest

microsoft outlook 2013 proveit test pdf right here we

microsoft outlook 2013 proveit test klongkhan - Mar 08 2022

web odesk microsoft outlook 2010 test

*prove it exam microsoft outlook questions and* - May 22 2023

web 2016 2010 2013 languages dutch english french german italian spanish levels adaptive advanced intermediate beginner average duration adaptive 25 minutes

**microsoft outlook 2013 proveit test betty friedan book** - Jul 24 2023

web merely said the microsoft outlook 2013 proveit test is universally compatible following any devices to read for her own good barbara ehrenreich 2013 10 02 this women s

**radio luxembourg 208 your station of the stars bbc** - Aug 21 2023

web radio luxembourg 208 your station of the stars home episodes episodes all available now 0 next on 0 episode 2 2 2 how 208 was influential for millions of under the bedclothes

**the station of the stars radioluxembourg** - Oct 23 2023

web the station of the stars radio luxembourg s english language programming was known as the station of the stars a title it truly earned and never really lost during its colourful history when it boasted more stars on its airwaves than any other european radio station

*the station of the stars radio luxembourg music in the night* - May 18 2023

web original brochure designed and produced for radio luxembourg london ltd by the gordon ross company of london and printed in great britain by pillans wilson ltd edinburgh this edition designed and typeset by russ j graham and edited by david heathcote for the transdiffusion broadcasting system bcm transdiffusion london

**radio luxembourg wikipedia** - Sep 10 2022

web radio luxembourg was a multilingual commercial broadcaster in luxembourg it is known in most non english languages as rtl for radio television luxembourg the english language service of radio luxembourg began in 1933 as one of the earliest commercial radio stations broadcasting to the uk and ireland the station provided a way to

**bbc radio 2 radio luxembourg 208 your station of the stars** - Jun 19 2023

web radio luxembourg 208 your station of the stars noel edmonds tells the story of luxy the original pop music station in the uk hugely influential for millions of under the bedclothes

radio luxembourg the station of the stars goodreads - Jul 20 2023

web if you were a listener to radio luxembourg this book will bring back heaps of happy memories richard nichols has created a wonderfully detailed history of the luxembourg years and his own love of the station of the stars is evident throughout the 189 pages if luxembourg is new to you prepare for a fascinating learning curve

**radio luxembourg the station of the stars paperback** - Aug 09 2022

web authoritative account of radio luxembourg justifiably a legend in international broadcasting lots of photos of equipment and deejays covers the radio station into the mid 1980 s

radio luxembourg 208 on the dial station of the stars - Nov 12 2022

web radio luxembourg 208 on the dial station of the stars radio before radio luxembourg one of the advantages of having the internet is that now radio from around the world is available at all times and with good reception no longer does one have to suffer the interference that came with short wave reception

**radio luxembourg** - Apr 17 2023

web feb 7 2001 the station of the stars the famous two o eight is still remembered as the popular european radio station of the 20th century this website is devoted to its colourful history so tune in and join us on a journey through european radio history

radio luxembourg 208 your station of the stars media - Feb 15 2023

web jun 7 2012 radio luxembourg 208 your station of the stars noel edmonds continues the story of the original pop music station in the uk radio luxembourg it was hugely influential for millions of

**the return of the station of the stars 208 radio luxembourg** - Jul 08 2022

web 208 radio luxembourg it was in june 1999 that the first rumours spreaded around about plans to bring back the famous

radio luxembourg the station of the stars on the air again far before world war ii the station started english language programmes with the main target the listeners in great britain especially in the late fifties sixties

*radio luxembourg the station of the stars softcover abebooks* - Jun 07 2022

web radio luxembourg the station of the stars by richard nichols isbn 10 0863790356 isbn 13 9780863790355 comet 1983 softcover

*radio luxembourg the station of the stars taylor francis* - Mar 16 2023

web may 18 2009 radio luxembourg the station of the stars journal of broadcasting vol 10 no 4 journal journal of broadcasting volume 10 1966 issue 4 14 views 0

**radio luxembourg 208 on the dial station of the stars** - May 06 2022

web station of the stars 208 radio luxembourg the station of the stars with the advent of rock n roll the flavour of the english language service of radio luxembourg changed and became the place to hear the music and millions of kids across the country tuned in and our world was never the same

*radio luxembourg the station of the stars paperback* - Apr 05 2022

web hello sign in account lists returns orders cart

**radio luxembourg 208 on the dial station of the stars** - Dec 13 2022

web station of the stars after thought farmhouse in oakley by 1960 my musical tastes were broadening and the time spent listening to radio luxembourg became less even so whenever possible i would tune in to 208 and catch the decca sponsored showcase shows on monday and wednesday nights

**radio luxembourg the station of the stars radio jingles** - Oct 11 2022

web radio luxembourg the station of the stars features some great mixes and demos of jingles produced by mark wesley way radio productions cpmg george acogny mmi and more at the bottom of this page i have included some pams re sings for the french service of radio luxembourg along with some cpmg re sings for radio tele

**radio luxembourg station of the stars** - Jan 14 2023

web jack jackson radio lxmbg sunday august 8 1965 top twenty presented by barry alldis radio lxmbg sunday june 26 1966 top twenty presented by barry alldis and this was his last top twenty at least for 9 years onwards he says in the program that he will be moving to london

*this is radio luxembourg your station of the stars the great* - Sep 22 2023

web tony prince jimmy savile luxembourg waltz your station of the stars colourful radio luxembourg barry alldis the video with barry alldis is recorded on sunday november 15 1964 my philips radio 1953 every saturdaynight at 11 pm and every mondaynight at 7pm uk time an old radio luxembourg programme radio emmeloord

radio luxembourg 208 on the dial station of the stars - Mar 04 2022

web station of the stars 208 radio luxembourg the early years click on the above programme pages to enlarge if you were to ask anyone of my age about radio during their childhood they will undoubtedly talk about their favourite b b c programmes and also mention radio luxembourg