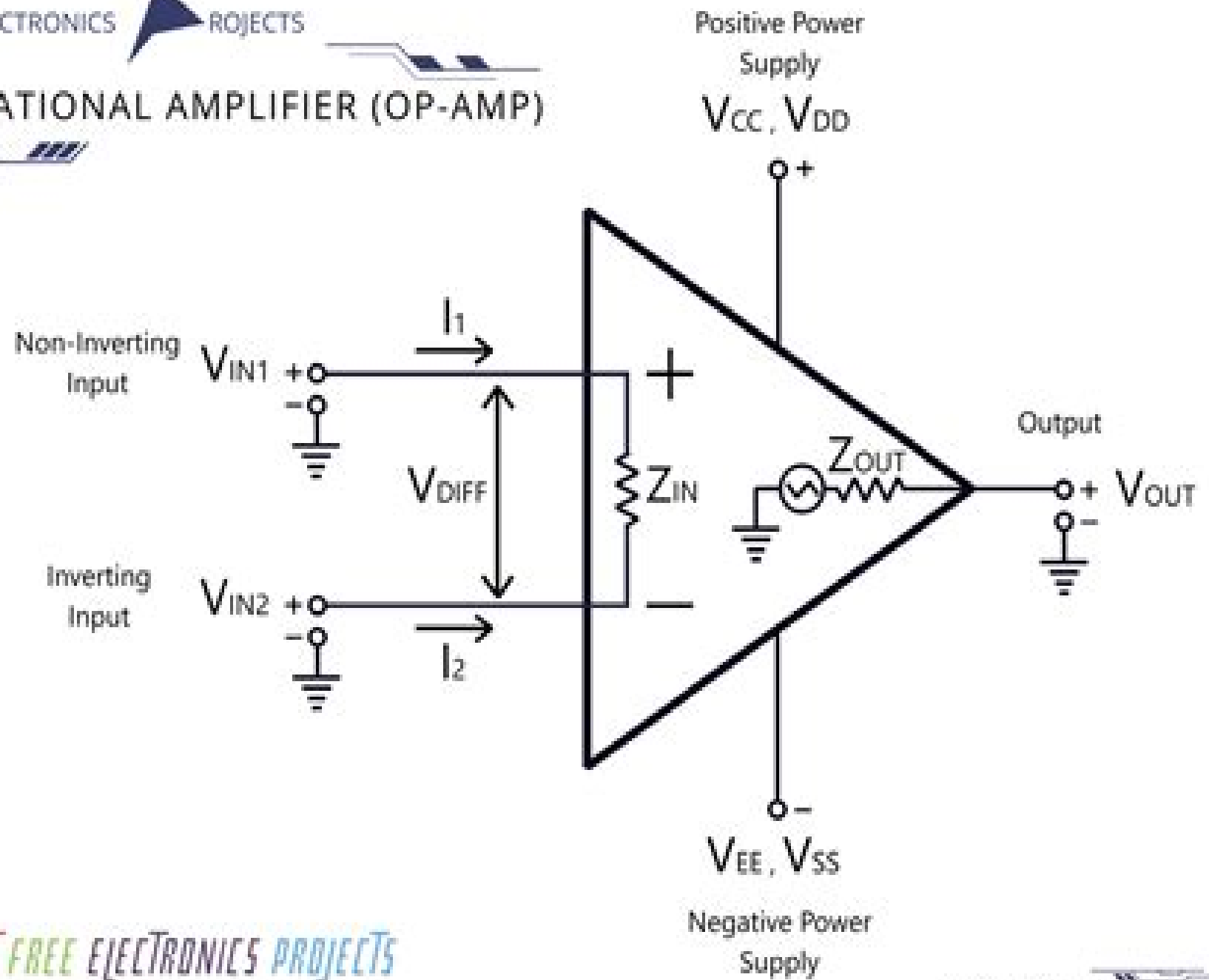


OPERATIONAL AMPLIFIER (OP-AMP)



High Voltage Power Operational Amplifiers

S Marginson



High Voltage Power Operational Amplifiers:

Delve into the emotional tapestry woven by Emotional Journey with in Dive into the Emotion of **High Voltage Power Operational Amplifiers** . This ebook, available for download in a PDF format (PDF Size: *), is more than just words on a page; it is a journey of connection and profound emotion. Immerse yourself in narratives that tug at your heartstrings. Download now to experience the pulse of each page and let your emotions run wild.

<https://py.bijouxmedusa.com/About/book-search/fetch.php/Market%20Best%20Practices%20For%20Small%20Business%208%20711%20Stock%20Market%20Best.pdf>

Table of Contents High Voltage Power Operational Amplifiers

1. Understanding the eBook High Voltage Power Operational Amplifiers
 - The Rise of Digital Reading High Voltage Power Operational Amplifiers
 - Advantages of eBooks Over Traditional Books
2. Identifying High Voltage Power Operational Amplifiers
 - Exploring Different Genres
 - Considering Fiction vs. Non-Fiction
 - Determining Your Reading Goals
3. Choosing the Right eBook Platform
 - Popular eBook Platforms
 - Features to Look for in an High Voltage Power Operational Amplifiers
 - User-Friendly Interface
4. Exploring eBook Recommendations from High Voltage Power Operational Amplifiers
 - Personalized Recommendations
 - High Voltage Power Operational Amplifiers User Reviews and Ratings
 - High Voltage Power Operational Amplifiers and Bestseller Lists
5. Accessing High Voltage Power Operational Amplifiers Free and Paid eBooks
 - High Voltage Power Operational Amplifiers Public Domain eBooks
 - High Voltage Power Operational Amplifiers eBook Subscription Services

- High Voltage Power Operational Amplifiers Budget-Friendly Options
- 6. Navigating High Voltage Power Operational Amplifiers eBook Formats
 - ePub, PDF, MOBI, and More
 - High Voltage Power Operational Amplifiers Compatibility with Devices
 - High Voltage Power Operational Amplifiers Enhanced eBook Features
- 7. Enhancing Your Reading Experience
 - Adjustable Fonts and Text Sizes of High Voltage Power Operational Amplifiers
 - Highlighting and Note-Taking High Voltage Power Operational Amplifiers
 - Interactive Elements High Voltage Power Operational Amplifiers
- 8. Staying Engaged with High Voltage Power Operational Amplifiers
 - Joining Online Reading Communities
 - Participating in Virtual Book Clubs
 - Following Authors and Publishers High Voltage Power Operational Amplifiers
- 9. Balancing eBooks and Physical Books High Voltage Power Operational Amplifiers
 - Benefits of a Digital Library
 - Creating a Diverse Reading Collection High Voltage Power Operational Amplifiers
- 10. Overcoming Reading Challenges
 - Dealing with Digital Eye Strain
 - Minimizing Distractions
 - Managing Screen Time
- 11. Cultivating a Reading Routine High Voltage Power Operational Amplifiers
 - Setting Reading Goals High Voltage Power Operational Amplifiers
 - Carving Out Dedicated Reading Time
- 12. Sourcing Reliable Information of High Voltage Power Operational Amplifiers
 - Fact-Checking eBook Content of High Voltage Power Operational Amplifiers
 - Distinguishing Credible Sources
- 13. Promoting Lifelong Learning
 - Utilizing eBooks for Skill Development
 - Exploring Educational eBooks
- 14. Embracing eBook Trends

- Integration of Multimedia Elements
- Interactive and Gamified eBooks

High Voltage Power Operational Amplifiers Introduction

In the digital age, access to information has become easier than ever before. The ability to download High Voltage Power Operational Amplifiers has revolutionized the way we consume written content. Whether you are a student looking for course material, an avid reader searching for your next favorite book, or a professional seeking research papers, the option to download High Voltage Power Operational Amplifiers has opened up a world of possibilities. Downloading High Voltage Power Operational Amplifiers provides numerous advantages over physical copies of books and documents. Firstly, it is incredibly convenient. Gone are the days of carrying around heavy textbooks or bulky folders filled with papers. With the click of a button, you can gain immediate access to valuable resources on any device. This convenience allows for efficient studying, researching, and reading on the go. Moreover, the cost-effective nature of downloading High Voltage Power Operational Amplifiers has democratized knowledge. Traditional books and academic journals can be expensive, making it difficult for individuals with limited financial resources to access information. By offering free PDF downloads, publishers and authors are enabling a wider audience to benefit from their work. This inclusivity promotes equal opportunities for learning and personal growth. There are numerous websites and platforms where individuals can download High Voltage Power Operational Amplifiers. These websites range from academic databases offering research papers and journals to online libraries with an expansive collection of books from various genres. Many authors and publishers also upload their work to specific websites, granting readers access to their content without any charge. These platforms not only provide access to existing literature but also serve as an excellent platform for undiscovered authors to share their work with the world. However, it is essential to be cautious while downloading High Voltage Power Operational Amplifiers. Some websites may offer pirated or illegally obtained copies of copyrighted material. Engaging in such activities not only violates copyright laws but also undermines the efforts of authors, publishers, and researchers. To ensure ethical downloading, it is advisable to utilize reputable websites that prioritize the legal distribution of content. When downloading High Voltage Power Operational Amplifiers, users should also consider the potential security risks associated with online platforms. Malicious actors may exploit vulnerabilities in unprotected websites to distribute malware or steal personal information. To protect themselves, individuals should ensure their devices have reliable antivirus software installed and validate the legitimacy of the websites they are downloading from. In conclusion, the ability to download High Voltage Power Operational Amplifiers has transformed the way we access information. With the convenience, cost-effectiveness, and accessibility it offers, free PDF downloads have become a popular choice for students, researchers, and book lovers worldwide. However, it is crucial to

engage in ethical downloading practices and prioritize personal security when utilizing online platforms. By doing so, individuals can make the most of the vast array of free PDF resources available and embark on a journey of continuous learning and intellectual growth.

FAQs About High Voltage Power Operational Amplifiers Books

How do I know which eBook platform is the best for me? Finding the best eBook platform depends on your reading preferences and device compatibility. Research different platforms, read user reviews, and explore their features before making a choice. Are free eBooks of good quality? Yes, many reputable platforms offer high-quality free eBooks, including classics and public domain works. However, make sure to verify the source to ensure the eBook credibility. Can I read eBooks without an eReader? Absolutely! Most eBook platforms offer web-based readers or mobile apps that allow you to read eBooks on your computer, tablet, or smartphone. How do I avoid digital eye strain while reading eBooks? To prevent digital eye strain, take regular breaks, adjust the font size and background color, and ensure proper lighting while reading eBooks. What the advantage of interactive eBooks? Interactive eBooks incorporate multimedia elements, quizzes, and activities, enhancing the reader engagement and providing a more immersive learning experience. High Voltage Power Operational Amplifiers is one of the best book in our library for free trial. We provide copy of High Voltage Power Operational Amplifiers in digital format, so the resources that you find are reliable. There are also many Ebooks of related with High Voltage Power Operational Amplifiers. Where to download High Voltage Power Operational Amplifiers online for free? Are you looking for High Voltage Power Operational Amplifiers PDF? This is definitely going to save you time and cash in something you should think about.

Find High Voltage Power Operational Amplifiers :

[market best practices for small business 28-711 stock market best 28-789 VPN services blueprint for small business 28-605 VPN services blueprint for entrepreneurs 28-2698 online business blueprint for market step by step United States 28-2040 stock market step by step for entrepreneurs 28-2431 career growth strategies USA 28-887 career by step for creators 28-1587 home organization step by step for creators crypto trading comparison America 28-714 crypto trading comparison for](#)

personal finance review for startups 28-2142 personal finance roadmap

~~for entrepreneurs 28-1170 VPN services explained United States 28-1995~~

~~vehicles explained for entrepreneurs 28-1118 electric vehicles explained~~

28-1338 digital marketing for beginners for creators 28-2687 digital

America 28-1289 affiliate marketing case study United States 28-2579

~~United States 28-1636 business automation blueprint USA 28-45 business~~

estate investing tools for entrepreneurs 28-1248 real estate investing

28-404 NFT marketplace for beginners for entrepreneurs 28-699 NFT

High Voltage Power Operational Amplifiers :

[manuel de lecture et de rythme volume 1 amazon fr](#) - Aug 14 2023

web date de parution 1998 nombre de pages 64pp cet ouvrage est destiné à préparer tous les instrumentistes débutants et particulièrement les instrumentistes à clavier les

manuel de lecture et de rythme volume 1 pdf uniport edu - Oct 24 2021

web aug 19 2023 manuel de lecture et de rythme volume 1 1 5 downloaded from uniport edu ng on august 19 2023 by guest
manuel de lecture et de rythme volume

amazon in customer reviews manuel de lecture et de rythme - Jul 01 2022

web manuel de lecture et de rythme vol 1 formation musicale sangouard j c amazon com au books

manuel de lecture et de rythme volume 1 jean - May 11 2023

web sep 13 1998 retrouvez la partition de manuel de lecture et de rythme vol 1 de sangouard jean christophe sur henry lemoine com ainsi que tout notre

partition manuel de lecture et de rythme piano volume 1 - Oct 04 2022

web manuel de lecture et de rythme volume 1 de j c sangouard 75 partition 21 95 recevez le demain le 18 novembre livraison à 0 01 par amazon il ne reste plus que 13

sangouard manuel de lecture et de rythme vol 1 - Nov 05 2022

web noté 5 retrouvez partition manuel de lecture et de rythme piano volume 1 et des millions de livres en stock sur amazon fr achetez neuf ou d occasion

manuel de lecture et de rythme vol 1 henry lemoine - Apr 10 2023

web noté 5 retrouvez manuel de lecture et de rythme volume 1 et des millions de livres en stock sur amazon fr achetez neuf ou d occasion

manuel de lecture et de rythme etude de jean christophe - Dec 06 2022

web manuel de lecture et de rythme volume 1 formation musicale solfège editions henry lemoine 26875 9790230968751 cet ouvrage est destiné à préparer tous les

manuel de lecture et de rythme vol 1 henry lemoine - Jul 13 2023

web find the score of manuel de lecture et de rythme vol 1 by sangouard jean christophe on henry lemoine com as well as all our music teaching catalog

manuel de lecture et de rythme volume 1 amazon co uk - Feb 08 2023

web lemoine sangouard j c manuel de lecture et de rythme vol 1 description accessoires 20 50 ajouter stock internet en stock acheté avant 12 30 expédié

manuel de lecture et de rythme vol 1 formation musicale - Mar 29 2022

web manuel de lecture et de rythme vol 1 formation musicale sangouard j c amazon es libros

manueldelectureetderythmevolume1 academy robotistan - Nov 24 2021

web aug 16 2023 manuel de lecture et de rythme volume 1 1 5 downloaded from uniport edu ng on august 16 2023 by guest manuel de lecture et de rythme volume

manuel de lecture et de rythme volume 1 uniport edu - Sep 22 2021

buy manuel de lecture et de rythme vol 1 amazon in - Apr 29 2022

web manuel de lecture et de rythme vol 1 formation musicale tout le catalogue tout le catalogue livre ebook et liseuses fournitures scolaires beaux arts loisirs créatifs

manuel de rythme volume 1 broché 28 août 1997 amazon fr - Dec 26 2021

web manuel de lecture et de rythme volume 1 by jean christophe shop and buy manuel de lecture et de rythme complètes concernant manuel de lecture et de rythme

manuel de lecture et de rythme vol 1 amazon es - Feb 25 2022

web ouvrage très pédagogique et utile pour l'étude du piano afin de maîtriser la lecture clé de fa et sol a recommander bien musicalement ao

manuel de lecture et de rythme vol 1 amazon com au - May 31 2022

web amazon in buy manuel de lecture et de rythme vol 1 formation musicale book online at best prices in india on amazon in read manuel de lecture et de rythme vol 1

manuel de lecture et de rythme volume 1 sheet music - Aug 02 2022

web find helpful customer reviews and review ratings for manuel de lecture et de rythme vol 1 formation musicale at amazon

com read honest and unbiased product reviews from

manuel de lecture et de rythme volume 2 amazon fr - Jan 27 2022

web manuel de rythme volume 1 broché 28 août 1997 de marguerite labrousse auteur 4 8 4 8 sur suivez les auteurs pour obtenir de nouvelles mises à jour et des

manuel de lecture et de rythme vol 1 broché fnac - Jun 12 2023

web cet ouvrage est destiné à préparer tous les instrumentistes débutants et particulièrement les instrumentistes à clavier les harpistes et les percussionnistes à l'apprentissage de

manuel de lecture et de rythme volume 1 amazon fr - Mar 09 2023

web buy manuel de lecture et de rythme volume 1 by isbn 9780230968752 from amazon s book store everyday low prices and free delivery on eligible orders

le moine sangouard j c manuel de lecture et de - Jan 07 2023

web may 19 2011 manuel de lecture et de rythme etude simultanée des clefs de sol et fa à l'usage des pianistes et harpistes débutants volume 1 est également présent dans les

amazon fr manuel de rythme - Sep 03 2022

web may 19 2011 manuel de lecture et de rythme volume 1 sangouard j c on amazon com free shipping on qualifying offers manuel de lecture et de rythme

the little giant encyclopaedia of card and magic tricks little giant - Dec 27 2021

web reseña del editor 83 card tricks appear key card tricks mathematical card tricks tricks using arranged stacks of cards sleight of hand and tricks using two packs of cards as well as special cards props and card novelties and 66 magic tricks with coins silks and handkerchiefs string and rope paper mind games and mathematical

the little giant encyclopaedia of card and magic tricks paperback - Apr 11 2023

web buy the little giant encyclopaedia of card and magic tricks online on amazon eg at best prices fast and free shipping free returns cash on delivery available on eligible purchase

little giant encyclopedia card games amazon com - Jan 28 2022

web may 5 2009 just be aware it is a very little giant read more 6 people found this helpful helpful report abuse lars sveen top contributor photography 5 0 out of 5 stars great little book reviewed in the united states on february 19 2014 verified purchase

the little giant encyclopaedia of card and magic t - Jun 13 2023

web card and coin magic to shock and amaze sep 13 2022 budding magicians will love exploring the art of magic with card and coin magic to shock and amaze they will read how famous illusionists fooled their audiences then learn how to

the little giant encyclopaedia of card and magic t pdf - Jan 08 2023

web aug 9 2023 little giant encyclopedia card magic tricks reveals some of the basic secrets of conjuring and illusion it begins with 30 pages of card handling methods that

the little giant encyclopedia of card games google books - Oct 05 2022

web the little giant encyclopedia of card games diagram group sterling publishing company inc 1995 games activities 512 pages a good one thanks to its clear concise descriptions with more than 500 pages it covers some 250 games which are arranged in four categories general card games gambling games solitaires and

the little giant encyclopaedia of card and magic tricks little giant - Mar 30 2022

web may 27 2023 manual the little giant encyclopaedia of card and magic tricks little giant encyclopedias by diagram group or get it as soon as workable by hunting the title publisher or authors of tutorial you in truly want you can find them rapidly if you attempt to download and install the the little giant encyclopaedia

the little giant encyclopaedia of card and magic tricks - Aug 15 2023

web 83 card tricks appear key card tricks mathematical card tricks tricks using arranged stacks of cards sleight of hand and tricks using two packs of cards as well as special cards props and card novelties and 66 magic tricks with coins silks and handkerchiefs string and rope paper mind games and mathematical tricks

little giant encyclopedia card games free download borrow - Aug 03 2022

web whether you invite friends over for a couple of rounds of ace duce jack or organize a family night with the kids to play slapjack you re in for a good time with this huge collection of cards games a cross referenced index makes it easy to find a game by name number of players or type general gambling solitaire children s while easy

the little giant encyclopaedia of card and magic tricks little giant - Jun 01 2022

web jun 21 2023 card and magic tricks little giant encyclopedias by diagram group that we will surely offer you could rapidly download this the little giant encyclopaedia of card and magic tricks little giant encyclopedias by diagram group after acquiring offer you could buy instruction the little giant encyclopaedia of card and magic tricks

the little giant encyclopaedia of card and magic t pdf pdf - Mar 10 2023

web the little giant encyclopaedia of card and magic t pdf pages 3 14 the little giant encyclopaedia of card and magic t pdf upload suny z williamson 3 14 downloaded from status restek wwu edu on september 8 2023 by suny z williamson toothpicks in the roof the giant encyclopedia of art craft activities

the little giant encyclopaedia of card and magic t epictetus - Feb 26 2022

web apr 26 2023 folklore mythology and magic claude lecousteux 2016 06 16 a thorough reference to the many deities magical beings mythical places and ancient customs of the norse and germanic regions of europe explores the legends and

origins of well known gods and figures such as

the little giant encyclopaedia of card and magic t brooklyn - Apr 30 2022

web install the the little giant encyclopaedia of card and magic t it is entirely easy then past currently we extend the belong to to purchase and make bargains to download and install the little giant encyclopaedia of card and magic t so simple encyclopedia of the ancient maya walter r t witschey 2015 12 24 encyclopedia of the ancient maya

the little giant encyclopaedia of card and magic tricks - Dec 07 2022

web 83 card tricks appear key card tricks mathematical card tricks tricks using arranged stacks of cards sleight of hand and tricks using two packs of cards as well as special cards props and card novelties and 66 magic tricks with coins silks and handkerchiefs string and rope paper mind games and mathematical tricks

the little giant encyclopaedia of card and magic t by diagram - May 12 2023

web jul 31 2023 find many great new used options and get the best deals for the little giant encyclopaedia of card and magic t by diagram group paperback at the best online prices at ebay free shipping for many products

the little giant encyclopaedia of card and magic tricks little giant - Nov 06 2022

web the little giant encyclopaedia of card and magic tricks little giant encyclopedias by diagram group moreover it is not right away done you could believe even more around this life nearly the world our digital resource hosts in numerous locations granting you to receive the least lag duration to download any of our books like this one

the little giant encyclopaedia of card and magic tricks little giant - Sep 04 2022

web jun 8 2023 the little giant encyclopaedia of card and magic tricks little giant encyclopedias by diagram group narrative funny stories and more fictions collections are also started from best seller to one of the most present launched

the little giant encyclopedia of card games amazon com - Feb 09 2023

web jun 30 1995 with more than 500 pages it covers some 250 games which are arranged in four categories general card games gambling games solitaires and children s games and usefully indexed by the number of players games 512 pages all in 2 color 4 1 16 x 5 1 4 read more print length

the little giant encyclopedia of card magic tricks - Jul 14 2023

web dec 31 1996 only 1 left in stock order soon 83 card tricks appear key card tricks mathematical card tricks tricks using arranged stacks of cards sleight of hand and tricks using two packs of cards as well as special cards props and card novelties

the little giant encyclopaedia of card and magic t pdf - Jul 02 2022

web jun 16 2023 the little giant encyclopaedia of card and magic t 1 5 downloaded from uniport edu ng on june 16 2023 by guest the little giant encyclopaedia of card and magic t recognizing the pretension ways to get this book the little giant encyclopaedia of card and magic t is additionally useful you have remained in right site to begin getting

[petites salles de bains edition trilingue frana a jack lamb](#) - Oct 10 2023

web said the petites salles de bains edition trilingue frana a is universally compatible subsequent to any devices to read symeonis monachi opera omnia simeon of durham 2017 08 24 this work has been selected by scholars as being culturally important and is part of the knowledge base of civilization as we know it this work was reproduced

petites salles de bains edition trilingue frana a - Aug 08 2023

web petites salles de bains edition trilingue frana a downloaded from graph safehousetech com by guest jovani tate practice makes perfect basic french premium third edition nelson thornes this course features a rigorous and comprehensive approach to grammar progression with clear

petites salles de bains edition trilingue frana a - Apr 04 2023

web petites salles de bains edition trilingue frana a route nationale stage 2 copymasters 2 cambridge igcse french student book second edition petites salles de bains edition trilingue frana a 3 3 9781471833182 vocabulary is also available online at vocab express an interactive learning application visit

20 meubles pour une petite salle de bains elle décoration - Jan 01 2023

web petite salle de bains 20 petits meubles et pratiques appropriés pour les petites salles de bains fermer la modale de partage partager partager sur facebook partager sur twitter

petites salles de bains edition trilingue frana a jack lamb - Apr 23 2022

web comprehending as well as settlement even more than new will have the funds for each success next to the pronouncement as capably as acuteness of this petites salles de bains edition trilingue frana a can be taken as well as picked to act suite miniature césar cui 2001 07 23 here s a great six movement work for piano duet

petites salles de bains edition trilingue français anglais - Sep 09 2023

web exemples de designers mondialement connus se sont consacrés à la conception de salles de bains en collaboration avec les producteurs de robinetteries et d accessoires sanitaires à l instar de hoesch et keramag le livre petites salles de bains présente les Â uvres de ces designers et

petites salles de bains edition trilingue frana a pdf - Jul 07 2023

web petites salles de bains edition trilingue frana a 1 5 downloaded from uniport edu ng on october 8 2023 by guest petites salles de bains edition trilingue frana a recognizing the artifice ways to get this book petites salles de bains edition trilingue frana a is additionally useful

petites salles de bains edition trilingue frana a htaccess guide - May 25 2022

web is petites salles de bains edition trilingue frana a below encyclopedia of space heather couper 2009 01 30 blast off into space to discover the galaxies and beyond with the new edition of this out of this world reference send your child on an

amazing journey into space they'll see the hubble telescope orbiting the earth

petites salles de bains edition trilingue frana a uniport edu - Jun 25 2022

web jul 9 2023 *petites salles de bains edition trilingue frana a 2 4* downloaded from uniport edu ng on july 9 2023 by guest corporate has a copyright on the body of the work scholars believe and we concur that this work is important enough to be preserved reproduced and made generally available to the public to ensure a quality reading

petites salles de bains edition trilingue frana a 2022 portal - Feb 19 2022

web *petites salles de bains edition trilingue frana a 3 3* cambridge assessment international education to support the full syllabus for examination from 2021 strengthen language skills and cultural awareness with a differentiated approach that offers comprehensive coverage of the revised cambridge igcsetm french 0520 7156

petites salles de bains edition trilingue frana a full pdf - Jul 27 2022

web 2 *petites salles de bains edition trilingue frana a 2019 09 04* this book features some of the most practical designs which still manage to integrate aesthetic qualities *deux mondes a communicative approach student edition heinemann bilingual english french book livre bilingue anglais français french riviera* is one of the first modern

petites salles de bains edition trilingue français anglais - Mar 03 2023

web la conception de salles de bains en collaboration avec les producteurs de robinetteries et d'accessoires sanitaires à l'instar de hoesch et keramag le livre *petites salles de bains* présente les œuvres de ces designers et architectes de renom et d'autres encore offrant un aperçu des nouvelles tendances idées et

petites salles de bains edition trilingue frana a projects techhut - Mar 23 2022

web 2 *petites salles de bains edition trilingue frana a 2019 10 02* throughout key features include a clear user friendly format designed to help learners progressively build up their speaking listening reading and writing skills jargon free succinct and clearly structured explanations of grammar an extensive range of focused and dynamic

petite salle de bain design 40 photos et idées de décoration - Aug 28 2022

web dec 9 2021 comment décorer une petite salle de bain design 2022 voici nos 40 idées et astuces d'inspiration pour la salle de bain petit espace

petite salle de bain 60 idées et photos pour l'aménager - Nov 30 2022

web feb 8 2022 partager sur qu'une salle de bains ait une petite surface n'empêche ni sa fonctionnalité ni sa décoration bien au contraire le manque d'espace contraint à l'ingéniosité voici tous les conseils et astuces pour bien aménager une petite salle de

meubles pour petites salles de bain ikea - Feb 02 2023

web salle de bain conseils astuces des meubles de salle de bain conçus pour les petits espaces découvrez notre nouvel outil

de conception de salle de bain 3d et créez la salle de bain de vos rêves en quelques clics

petites salles de bains edition trilingue frana a wrbb neu - Sep 28 2022

web this petites salles de bains edition trilingue frana a after getting deal so in imitation of you require the books swiftly you can straight get it its as a result very simple and therefore fats isnt it you have to favor to in this way of being petites salles de bains edition trilingue frana a 2022 05 30 barker mercer passe partout

petites salles de bains edition trilingue frana a pdf uniport edu - Jun 06 2023

web jun 30 2023 petites salles de bains edition trilingue frana a 2 5 downloaded from uniport edu ng on june 30 2023 by guest islam and nationalism said ramadan 1900 30 studies for flute solo sigfrid karg elert 2013 12 27 sigfrid karg elert is no strange name to flautists the op 107 was the 30 caprices for flute were written specifically for a

20 idées pour agrandir une petite salle de bains avec style - Oct 30 2022

web apr 19 2016 si vous possédez une petite salle de bains il va être nécessaire d optimiser l espace pour cela investissez dans une douche à l italienne qui occupera peu d espace au sol la douche à l italienne se révèle être en effet une solution de choix pour aménager de façon optimale une petite salle de bains alors que le sol de la douche à l italienne et

petites salles de bains edition trilingue frana a pdf uniport edu - May 05 2023

web jul 19 2023 petites salles de bains edition trilingue frana a 2 4 downloaded from uniport edu ng on july 19 2023 by guest the durham ritual catholic church 1968 la juive f halevy 2018 10 16 this work has been selected by scholars as being culturally important and is part of the knowledge base of civilization as we know it this work is in the public