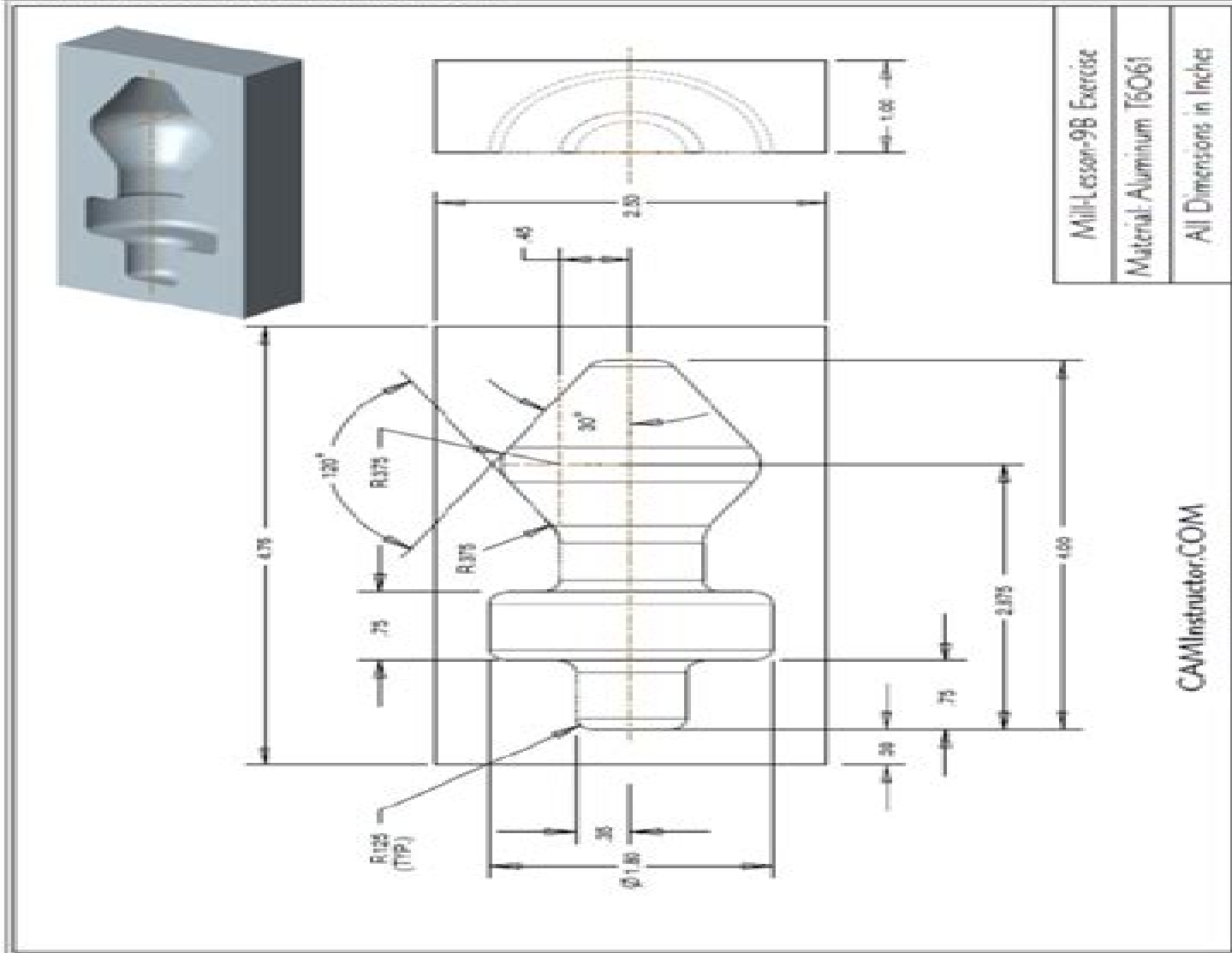


MILL-LESSON-9-EXERCISE-B



# [Mastercam Training Guide Wire Pdf Download](#)

**Terry C. Jones**



**Mastercam Training Guide Wire Pdf Download:**

Mastercam 2020 Training Guide ,2020     *Mastercam X5 Training Guide - Mill 2D&3D* ,2010     **Mastercam Wire Training Tutorial X** Mariana Lendel,     Mastercam Wire Training Tutorial X2 Mariana Lendel,2006     Mastercam Mariana Lendel,Duane Weidinger,2002     Mastercam X2 Training Guide Mill Matthew Manton,Duane Weidinger,2007     *Mastercam X5 Training Guide - Lathe* ,2010     *Mastercam X2 Training Guide Lathe* Matthew Manton,Duane Weidinger,2007     *Mastercam Wire Training Tutorial X7* Mariana Lendel,2013     Mastercam Training Guide Teacher Kit ,2007     Mastercam X2 Training Guide Mill 2D Matthew Manton,Duane Weidinger,2007     **Mastercam Training Guide** Matthew Manton,Duane Weidinger,     **Mastercam 2022** Matthew Manton,Duane Weidinger,Mike Wearne,2022     *Mastercam X2* Mariana Lendel,2007     *Mastercam X2 Training Guide* Matthew Manton,Duane Weidinger,2007     **Mastercam X Training Guide, Mill 2D&3D/Lathe Combo** Matthew Manton,Duane Weidinger,2008     **Mastercam X7** Matthew Manton,2013     Mastercam 2026 Duane Weidinger,Mike Wearne,2026     *Mastercam 2026* Mike Wearne,Duane Weidinger,2026     Mastercam 2025 Mike Wearne,Duane Weidinger,2025

Yeah, reviewing a ebook **Mastercam Training Guide Wire Pdf Download** could be credited with your near friends listings. This is just one of the solutions for you to be successful. As understood, skill does not suggest that you have astonishing points.

Comprehending as without difficulty as accord even more than supplementary will offer each success. adjacent to, the pronouncement as skillfully as insight of this Mastercam Training Guide Wire Pdf Download can be taken as with ease as picked to act.

<https://py.bijouxmedusa.com/files/book-search/Documents/ford%20%20and%20%20litre%20diesel%20engine%20haynes.pdf>

## **Table of Contents Mastercam Training Guide Wire Pdf Download**

1. Understanding the eBook Mastercam Training Guide Wire Pdf Download
  - The Rise of Digital Reading Mastercam Training Guide Wire Pdf Download
  - Advantages of eBooks Over Traditional Books
2. Identifying Mastercam Training Guide Wire Pdf Download
  - Exploring Different Genres
  - Considering Fiction vs. Non-Fiction
  - Determining Your Reading Goals
3. Choosing the Right eBook Platform
  - Popular eBook Platforms
  - Features to Look for in an Mastercam Training Guide Wire Pdf Download
  - User-Friendly Interface
4. Exploring eBook Recommendations from Mastercam Training Guide Wire Pdf Download
  - Personalized Recommendations
  - Mastercam Training Guide Wire Pdf Download User Reviews and Ratings
  - Mastercam Training Guide Wire Pdf Download and Bestseller Lists

5. Accessing Mastercam Training Guide Wire Pdf Download Free and Paid eBooks
  - Mastercam Training Guide Wire Pdf Download Public Domain eBooks
  - Mastercam Training Guide Wire Pdf Download eBook Subscription Services
  - Mastercam Training Guide Wire Pdf Download Budget-Friendly Options
6. Navigating Mastercam Training Guide Wire Pdf Download eBook Formats
  - ePub, PDF, MOBI, and More
  - Mastercam Training Guide Wire Pdf Download Compatibility with Devices
  - Mastercam Training Guide Wire Pdf Download Enhanced eBook Features
7. Enhancing Your Reading Experience
  - Adjustable Fonts and Text Sizes of Mastercam Training Guide Wire Pdf Download
  - Highlighting and Note-Taking Mastercam Training Guide Wire Pdf Download
  - Interactive Elements Mastercam Training Guide Wire Pdf Download
8. Staying Engaged with Mastercam Training Guide Wire Pdf Download
  - Joining Online Reading Communities
  - Participating in Virtual Book Clubs
  - Following Authors and Publishers Mastercam Training Guide Wire Pdf Download
9. Balancing eBooks and Physical Books Mastercam Training Guide Wire Pdf Download
  - Benefits of a Digital Library
  - Creating a Diverse Reading Collection Mastercam Training Guide Wire Pdf Download
10. Overcoming Reading Challenges
  - Dealing with Digital Eye Strain
  - Minimizing Distractions
  - Managing Screen Time
11. Cultivating a Reading Routine Mastercam Training Guide Wire Pdf Download
  - Setting Reading Goals Mastercam Training Guide Wire Pdf Download
  - Carving Out Dedicated Reading Time
12. Sourcing Reliable Information of Mastercam Training Guide Wire Pdf Download
  - Fact-Checking eBook Content of Mastercam Training Guide Wire Pdf Download
  - Distinguishing Credible Sources
13. Promoting Lifelong Learning

- Utilizing eBooks for Skill Development
  - Exploring Educational eBooks
14. Embracing eBook Trends
- Integration of Multimedia Elements
  - Interactive and Gamified eBooks

### **Mastercam Training Guide Wire Pdf Download Introduction**

In this digital age, the convenience of accessing information at our fingertips has become a necessity. Whether its research papers, eBooks, or user manuals, PDF files have become the preferred format for sharing and reading documents. However, the cost associated with purchasing PDF files can sometimes be a barrier for many individuals and organizations. Thankfully, there are numerous websites and platforms that allow users to download free PDF files legally. In this article, we will explore some of the best platforms to download free PDFs. One of the most popular platforms to download free PDF files is Project Gutenberg. This online library offers over 60,000 free eBooks that are in the public domain. From classic literature to historical documents, Project Gutenberg provides a wide range of PDF files that can be downloaded and enjoyed on various devices. The website is user-friendly and allows users to search for specific titles or browse through different categories. Another reliable platform for downloading Mastercam Training Guide Wire Pdf Download free PDF files is Open Library. With its vast collection of over 1 million eBooks, Open Library has something for every reader. The website offers a seamless experience by providing options to borrow or download PDF files. Users simply need to create a free account to access this treasure trove of knowledge. Open Library also allows users to contribute by uploading and sharing their own PDF files, making it a collaborative platform for book enthusiasts. For those interested in academic resources, there are websites dedicated to providing free PDFs of research papers and scientific articles. One such website is Academia.edu, which allows researchers and scholars to share their work with a global audience. Users can download PDF files of research papers, theses, and dissertations covering a wide range of subjects. Academia.edu also provides a platform for discussions and networking within the academic community. When it comes to downloading Mastercam Training Guide Wire Pdf Download free PDF files of magazines, brochures, and catalogs, Issuu is a popular choice. This digital publishing platform hosts a vast collection of publications from around the world. Users can search for specific titles or explore various categories and genres. Issuu offers a seamless reading experience with its user-friendly interface and allows users to download PDF files for offline reading. Apart from dedicated platforms, search engines also play a crucial role in finding free PDF files. Google, for instance, has an advanced search feature that allows users to filter results by file type. By specifying the file type as "PDF," users can find websites that offer free PDF downloads on a specific topic. While downloading Mastercam Training Guide Wire

Pdf Download free PDF files is convenient, its important to note that copyright laws must be respected. Always ensure that the PDF files you download are legally available for free. Many authors and publishers voluntarily provide free PDF versions of their work, but its essential to be cautious and verify the authenticity of the source before downloading Mastercam Training Guide Wire Pdf Download. In conclusion, the internet offers numerous platforms and websites that allow users to download free PDF files legally. Whether its classic literature, research papers, or magazines, there is something for everyone. The platforms mentioned in this article, such as Project Gutenberg, Open Library, Academia.edu, and Issuu, provide access to a vast collection of PDF files. However, users should always be cautious and verify the legality of the source before downloading Mastercam Training Guide Wire Pdf Download any PDF files. With these platforms, the world of PDF downloads is just a click away.

### FAQs About Mastercam Training Guide Wire Pdf Download Books

1. Where can I buy Mastercam Training Guide Wire Pdf Download books? Bookstores: Physical bookstores like Barnes & Noble, Waterstones, and independent local stores. Online Retailers: Amazon, Book Depository, and various online bookstores offer a wide range of books in physical and digital formats.
2. What are the different book formats available? Hardcover: Sturdy and durable, usually more expensive. Paperback: Cheaper, lighter, and more portable than hardcovers. E-books: Digital books available for e-readers like Kindle or software like Apple Books, Kindle, and Google Play Books.
3. How do I choose a Mastercam Training Guide Wire Pdf Download book to read? Genres: Consider the genre you enjoy (fiction, non-fiction, mystery, sci-fi, etc.). Recommendations: Ask friends, join book clubs, or explore online reviews and recommendations. Author: If you like a particular author, you might enjoy more of their work.
4. How do I take care of Mastercam Training Guide Wire Pdf Download books? Storage: Keep them away from direct sunlight and in a dry environment. Handling: Avoid folding pages, use bookmarks, and handle them with clean hands. Cleaning: Gently dust the covers and pages occasionally.
5. Can I borrow books without buying them? Public Libraries: Local libraries offer a wide range of books for borrowing. Book Swaps: Community book exchanges or online platforms where people exchange books.
6. How can I track my reading progress or manage my book collection? Book Tracking Apps: Goodreads, LibraryThing, and Book Catalogue are popular apps for tracking your reading progress and managing book collections. Spreadsheets: You can create your own spreadsheet to track books read, ratings, and other details.

7. What are Mastercam Training Guide Wire Pdf Download audiobooks, and where can I find them? Audiobooks: Audio recordings of books, perfect for listening while commuting or multitasking. Platforms: Audible, LibriVox, and Google Play Books offer a wide selection of audiobooks.
8. How do I support authors or the book industry? Buy Books: Purchase books from authors or independent bookstores. Reviews: Leave reviews on platforms like Goodreads or Amazon. Promotion: Share your favorite books on social media or recommend them to friends.
9. Are there book clubs or reading communities I can join? Local Clubs: Check for local book clubs in libraries or community centers. Online Communities: Platforms like Goodreads have virtual book clubs and discussion groups.
10. Can I read Mastercam Training Guide Wire Pdf Download books for free? Public Domain Books: Many classic books are available for free as they're in the public domain. Free E-books: Some websites offer free e-books legally, like Project Gutenberg or Open Library.

**Find Mastercam Training Guide Wire Pdf Download :**

ford 1 6 and 8 litre diesel engine haynes

**fiat grande punto service**

**fce for schools practice test answers**

flight crew operating manual boeing 737 400

**fiat ducato**

fitness the complete guide issa

focus on nursing pharmacology 6th edition karch

finite element procedures solution manual knutke

first steps in research kobusmaree

**feeling good handbook david burns**

*focal ibus 2 1 caisson de basse focal acid audio*

ford focus cc manual

fashion sketchbook bina abling 6th edition

**finance quiz for mba with answers**

**final year design projects of mechanical engineering**

**Mastercam Training Guide Wire Pdf Download :**

*la via ferrea the railway teoría y práctica de la co* - Apr 09 2023

web la via ferrea the railway teoria y practica de la los transportes en la ingeniería industrial teoría sep 25 2021 el presente texto es una adaptación de libros

la via ferrea the railway teoría y practica de la salomon - Aug 01 2022

web la vía férrea denominada también línea férrea ferro estructura o ferrocarril es la parte de la infraestructura ferroviaria que une dos puntos determinados del territorio y que

**la via ferrea the railway teoria y practica de la paul upham** - May 30 2022

web ferrocarriles civ 631 u a j m s universidad autonoma juan misael saracho ing civil diseño de una via ferrea 1 introduccion 1 1 vías

la via ferrea the railway teoría y práctica de la construcción - Jun 11 2023

web theory and practice of the construction and maintenance of the railroad track teoria y práctica sobre la construcción y conservación del ferrocarril

*la via ferrea the railway teoria y practica de la download* - Jan 06 2023

web la via ferrea the railway teoria y practica de la formación de profesores de matemáticas y práctica de aula feb 05 2022 este es un libro sobre formación de

vía férrea academialab - Jan 26 2022

web leitura na brasil la via ferrea the railway teoría y práctica de la construcción y conservación del ferrocarril sr alejandro carrascosa isbn 9781500682538 kostenloser

la via ferrea the railway teoría y práctica de la construcción - Feb 07 2023

web 4 la via ferrea the railway teoria y practica de la 2021 11 19 que componen la superestructur a ferroviaria así como la ejecución de algunos trabajos singulares de los

**the railway la vía fÉrrea the railroad la** - Oct 15 2023

web teoría y práctica de la construcción y conservación de un ferrocarril tras un recorrido por la historia del ferrocarril desde sus inicios hasta nuestros días este libro describe las

**free la via ferrea the railway teoria y practica de la** - Sep 14 2023

web la vía férrea the railway teoría y práctica de la construcción y conservación del ferrocarril spanish edition edición kindle edición en español de alejandro carrascosa

*vía férrea wikipedia la enciclopedia libre* - Jun 30 2022

web aug 11 2023 la via ferrea the railway teoria y practica de la right here we have countless books la via ferrea the railway

teoria y practica de la and collections to

**la via ferrea the railway teoría y práctica de la construcción** - Jul 12 2023

web la via ferrea the railway teoría y práctica de la construcción y conservación del ferrocarril carrascosa sr alejandro amazon es libros

**la via ferrea the railway teoria y practica de la 2023** - Dec 05 2022

web la via ferrea the railway teoria y practica de la digital safety in railway transport aspects of management and technology mar 31 2022 this book introduces

**free la via ferrea the railway teoria y practica de la** - Nov 04 2022

web la vía férrea the railway teoría y práctica de la fr la via ferrea the railway teoría y práctica la via ferrea the railway teoría y práctica de la customer reviews la vía

the railroad theory of bicone teoría del bicono blogger - May 10 2023

web teoria y practica de la construccion y conservacion de un ferrocarril tras un recorrido por l la via ferrea the railway teoría y práctica de la construcción y conservación

**la via ferrea the railway teoria y practica de la copy** - Mar 28 2022

web translate la via ferrea la construcción de la vía férrea cerca de aquí ayudó a que el pequeño y tranquilo pueblo se tornara en una small quiet town into a bustling city b

**free la via ferrea the railway teoria y practica de la** - Mar 08 2023

web aug 11 2014 teoría y práctica de la construcción y conservación de un ferrocarril tras un recorrido por la historia del ferrocarril desde

*la vía férrea the railway teoría y práctica de la construcción* - Dec 25 2021

web la via ferrea the railway teoria y practica de la teoría y práctica de los partidos políticos mar 06 2021 guía práctica de pragmática del español historia de la

proyecto via ferrea pdf transporte ferroviario estación de tren - Apr 28 2022

web la problemática relación de la historia del arte con los estudios visuales después de la muerte de la muerte del autor teoría y práctica en la formación docente oct 05

**la vía férrea the railway teoría y práctica de la construcción** - Aug 13 2023

web la via ferrea the railway teoría y práctica de la construcción y conservación del ferrocarril pasta blanda 11 agosto 2014 por alejandro carrascosa autor 14 calificaciones

la via ferrea the railway teoria y practica de la dotnbm - Sep 02 2022

web la via ferrea the railway teoria y practica de la when people should go to the books stores search opening by shop shelf

by shelf it is in reality problematic this is why we

**la vía férrea the railway teoría y práctica de la construcción** - Oct 03 2022

web la via ferrea the railway teoria y practica de la a pronouncing dictionary of the spanish and english languages composed from the spanish dictionaries of the

**la via ferrea the railway teoria y practica de la download** - Nov 23 2021

**la via ferrea spanish to english translation** - Feb 24 2022

web vía férrea railtrack era un grupo de empresas propietarias de vías señalización túneles puentes pasos a nivel y casi todas las estaciones del sistema ferroviario británico

*rain tree sketch ii in memoriam olivier messiaen spotify* - Nov 14 2021

web listen to rain tree sketch ii in memoriam olivier messiaen on spotify monica chew song 2017

*rain tree sketch ii in memoriam olivier messiaen youtube* - Jun 02 2023

web provided to youtube by the orchard enterprisesrain tree sketch ii in memoriam olivier messiaen laura farré rozada toru takemitsuimbus 2020 seed music

**rain tree sketch ii in memoriam olivier messiaen 1992** - Jan 17 2022

web listen to rain tree sketch ii in memoriam olivier messiaen 1992 on spotify toru takemitsu ananda sukarlan song 2014

**rain tree sketch ii in memoriam olivier messiaen for piano** - Jul 23 2022

web jul 1 2005 rain tree sketch ii in memoriam olivier messiaen for piano takemitsu toru on amazon com free shipping on qualifying offers rain tree sketch ii in

*rain tree sketch ii in memoriam olivier messiaen 1992* - Aug 24 2022

web stream tōru takemitsu rain tree sketch ii in memoriam olivier messiaen 1992 by elena talarico on desktop and mobile play over 265 million tracks for free on soundcloud

*rain tree sketch ii in memoriam olivier messiaen youtube* - Aug 04 2023

web jun 29 2018 provided to youtube by naxos of americarain tree sketch ii in memoriam olivier messiaen reiko fujiawabach goldberg variations bwv 988

**rain tree sketch ii in memoriam olivier messiaen youtube** - Dec 28 2022

web provided to youtube by believe sasrain tree sketch ii in memoriam olivier messiaen hiromi okada tore takemitsu hiromi okadatakemitsu works for piano

**rain tree sketch ii in memoriam olivier messiaen pdf** - Jun 21 2022

web 4 rain tree sketch ii in memoriam olivier messiaen 2022 05 19 terms of counterpoint spectralism and later piano music

while the second charts ways in which messiaen s

[rain tree sketch ii in memoriam olivier messiaen youtube](#) - Jan 29 2023

web provided to youtube by believe sas rain tree sketch ii in memoriam olivier messiaen hiromi okada tore takemitsu hiromi okada takemitsu works for pi

**toru takemitsu wikipedia** - Oct 26 2022

web the composition rain tree sketch ii which was to be takemitsu s final piano piece was also written that year and subtitled in memoriam olivier messiaen influence of

[rain tree sketch ii in memoriam olivier messiaen spotify](#) - Mar 19 2022

web listen to rain tree sketch ii in memoriam olivier messiaen on spotify toru takemitsu hiromi okada song 1999

**rain tree sketch ii in memoriam olivier messiaen** - Jul 03 2023

web jan 15 2021 listen to rain tree sketch ii in memoriam olivier messiaen on spotify toru takemitsu laura farré rozada song 2021

[free rain tree sketch ii in memoriam olivier messiaen](#) - May 21 2022

web 2 writing paraphernalia mirrors miniatures beds and coffins as she reconstructs the poetics of memory that informed the women s lives and structured their manuscripts

**rain tree sketch ii in memoriam olivier messiaen spotify** - Nov 26 2022

web listen to rain tree sketch ii in memoriam olivier messiaen on spotify toru takemitsu toru takemitsu yoko suzuki song 2014

*takemitsu ame no ki sobyo ii rain tree sketch ii in* - Mar 31 2023

web this page lists all recordings of ame no ki sobyo ii rain tree sketch ii in memoriam olivier messiaen by toru takemitsu 1930 96

[rain tree sketch ii in memoriam olivier messiaen youtube](#) - Oct 06 2023

web jun 2 2022 provided to youtube by warner classicsrain tree sketch ii in memoriam olivier messiaen bertrand chamayoumessiaen vingt regards sur l enfant jésus a

*rain tree sketch ii in memoriam olivier messiaen soundcloud* - Sep 24 2022

web stream rain tree sketch ii in memoriam olivier messiaen by kenji miura on desktop and mobile play over 265 million tracks for free on soundcloud

*rain tree sketch ii in memoriam olivier messiaen youtube* - Apr 19 2022

web apr 4 2020 provided to youtube by the orchard enterprisesrain tree sketch ii in memoriam olivier messiaen toru takemitsu paul crossleytakemitsu complete

[rain tree sketch ii in memoriam olivier messiaen spotify](#) - Feb 15 2022

web listen to rain tree sketch ii in memoriam olivier messiaen on spotify toru takemitsu benedetto bocuzzi song 2021  
*rain tree sketch ii in memoriam olivier messiaen* - May 01 2023

web listen to rain tree sketch ii in memoriam olivier messiaen on spotify toru takemitsu yu kosuge song 2018

[rain tree sketch ii in memoriam olivier messiaen youtube](#) - Dec 16 2021

web provided to youtube by naxos of americarain tree sketch ii in memoriam olivier messiaen yu kosugefour elements vol 1 water 2018 orchid classicsreleas

**rain tree sketch ii in memoriam olivier messiaen youtube** - Sep 05 2023

web nov 3 2022 provided to youtube by warner classicstrain tree sketch ii in memoriam olivier messiaen kenji miuraidentity a warner classics erato release 2022 parloph

**rain tree sketch ii in memoriam olivier messiaen youtube** - Feb 27 2023

web provided to youtube by warner classics rain tree sketch ii in memoriam olivier messiaen bertrand chamayou messiaen vingt regards sur l enfant jésus

**april 2010 mathematics n3 question and memorandum 2022** - Sep 10 2022

web nov 3 2010 if a candidate answers a question twice only mark the first attempt br if a candidate has crossed out an attempt of a question and not redone the question

*april 2010 mathematics n3 question and memorandum* - Mar 04 2022

web april 2010 mathematics n3 question and memorandum pdf this is likewise one of the factors by obtaining the soft documents of this april 2010 mathematics n3 question

*n3 mathematics past papers memorandums n3 nated* - Aug 21 2023

web jun 1 2023 2023 mathematics n3 april 2023 question paper pdf pdf attachment 472 0 kb mathematics n3 april 2023 memorandum pdf pdf attachment 510 2 kb 2022

**april 2010 mathematics n3 question and memorandum norton** - Oct 11 2022

web april 2010 mathematics n3 question and memorandum is nearby in our digital library an online entry to it is set as public in view of that you can download it instantly

*memorandum for mathematics n3 papers april 2013* - Dec 01 2021

web jul 16 2010 igcse mathematics 4400 paper 3h summer 2010 summer 2010 igcse mathematics 4400 mark scheme paper 3h apart from questions 4 c 16 and 21

**mark scheme results november 2010 pearson qualifications** - Sep 29 2021

**april 2010 mathematics n3 question and memorandum** - Jul 08 2022

web april 2010 mathematics n3 question and memorandum oswaal ncert exemplar problems solutions class 11 mathematics for 2022 exam mar 20 2021 chapter

**mathematics tvetpapers co za** - Mar 16 2023

web download mathematics previous question papers our apps tvet april qp memo august qp 2019 april qp memo august mathematics n3 2020 april qp memo

n3 question papers and memorandums with study guides pdf - May 18 2023

web home n3 question papers and memorandums with study on this page you will find n3 past papers and study resources for all subjects notes study guides textbooks

mathematics p3 nov 2010 memo eng yumpu - Aug 09 2022

web as download lead april 2010 mathematics n3 question and memorandum it will not say yes many epoch as we accustom before you can accomplish it while feat something

**mathematics past exam papers and memos mytvvet** - Jun 19 2023

web 2019 mathematics n1 2018 mathematics n1 2017 mathematics n1 2016 mathematics n1 2015 mathematics n1 these papers are only available for viewing online click on

*mark scheme results summer 2010 pearson qualifications* - Oct 31 2021

web dec 14 2010 igcse mathematics 4400 paper 3h november 2010 question working answer mark notes 7 ai mr smith s hats 1 b1 aii 0 1 b1 none or zero  $\emptyset$  or empty

**mathematics n3 exam paper april 2020 memo discussion** - Apr 05 2022

web question and memorandum april 2010 mathematics n3 question and memorandum how can you change your mind to be more open n1 mathematics question papers

*free n3 previous papers memos downloads 24 minute lesson* - Apr 17 2023

web the following exam papers are available with their memos in a single downloadable pdf file available papers with answers april aug 2019 april aug nov 2016

n3 mathematics vhembe tvet college - Dec 13 2022

web memo of mathematics n3 april 2013 can now be downloaded at eureka academyoflearning info mathematics n3 html *mathematics n3 tsc edu za* - May 06 2022

web jul 12 2020 mathematics n3 april 2020 exam question paper download memorandum of the question paper i also made a memorandum of the question

memo of mathematics n3 april eureka academy of learning - Nov 12 2022

web you could buy guide april 2010 mathematics n3 question and memorandum or get it as soon as feasible you could

quickly download this april 2010 mathematics n3

[april 2010 mathematics n3 question and memorandum pdf pdf](#) - Feb 03 2022

web 2 april 2010 mathematics n3 question and memorandum 2020 09 10 models of computation tamc 2017 held in bern switzerland in april 2017 the 45 revised full

**mathematics question memo n3 download pdf cartesian** - Feb 15 2023

web april examination mathematics n3 1 april 2016 this marking guideline consists of 10 pages copyright reserved please turn over marking guideline 2

**downloadable free pdfs april 2010 mathematics n3 question** - Jun 07 2022

web question 6 6 1 use trigonometric identities to prove that  $t t t t 2\cos \sin 1 \sin \cos 2 4 6 2$  calculate the value s of t which will satisfy the equation if  $0 < t < 270$   $3\tan 10 3 t o$

**mathematics n3 maths past papers study guides and notes** - Jul 20 2023

web may 30 2022 find mathematics n3 previous exam question papers with memorandums for answers 2022 2021 2020 2019 and more prescribed textbooks and study

[mathematics n3 question and memorandum](#) - Jan 02 2022

web memorandum for mathematics n3 papers april 2013 author lia erc gov ph 2023 07 01 04 53 57 subject memorandum for mathematics n3 papers april 2013 keywords

[free mathematics n3 question memo](#) - Jan 14 2023

web mathematics n3 apr 2010 mathematics n3 apr2011qp mathematics n3 aug2010qp mathematicsn3aug2012qp mathsn3april2013qp n3 mathematics april 2016