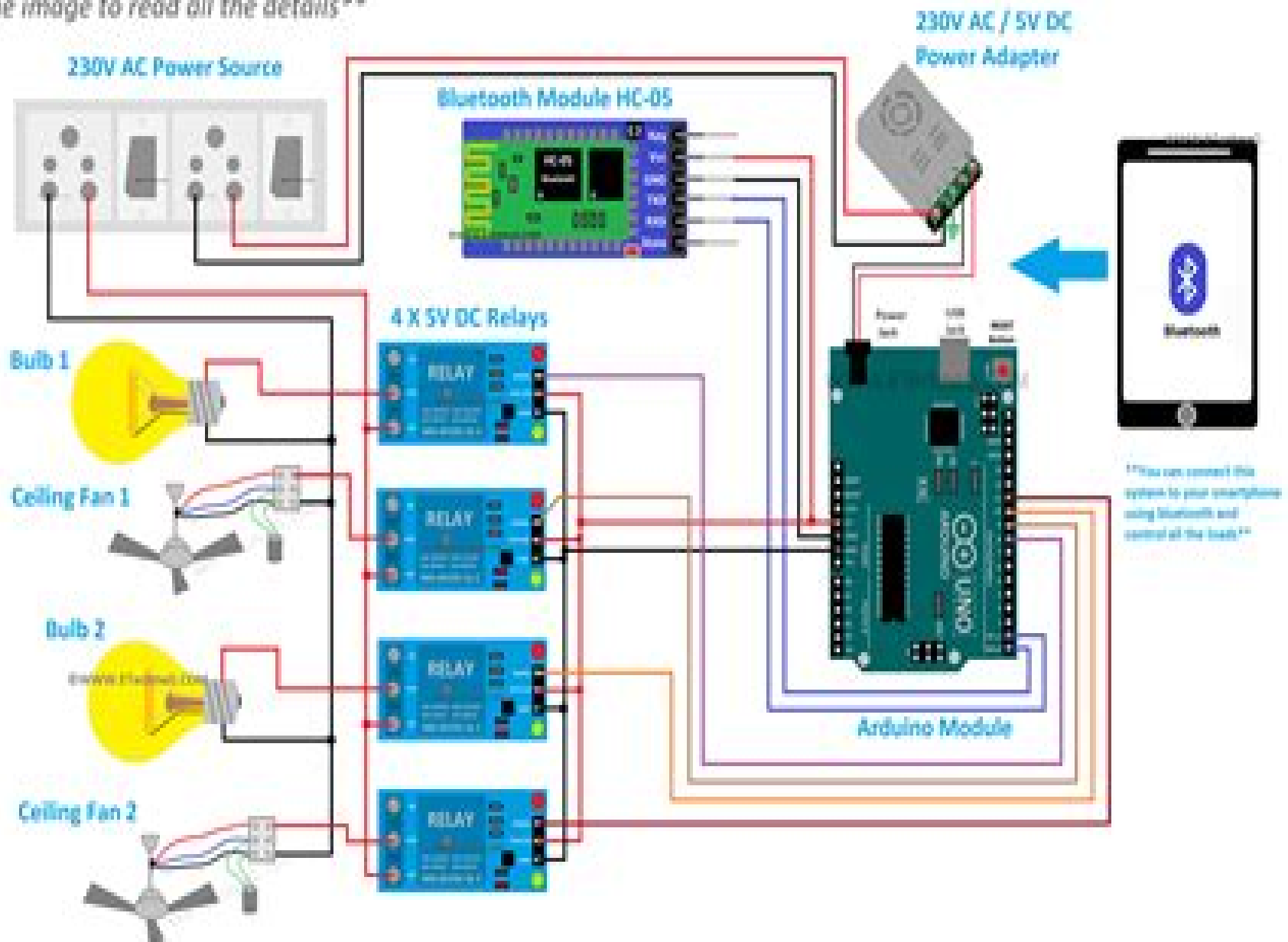


Figure.01:

Smart Home Automation System using Arduino

Zoom in the image to read all the details



Bluetooth Based Home Automation And Security System Using Arm9

Wan Norziela Wan Rosli



Bluetooth Based Home Automation And Security System Using Arm9:

Handbook of Research on the IoT, Cloud Computing, and Wireless Network Optimization Singh, Surjit, Mohan Sharma, Rajeev, 2019-03-29 ICT technologies have contributed to the advances in wireless systems which provide seamless connectivity for worldwide communication The growth of interconnected devices and the need to store manage and process the data from them has led to increased research on the intersection of the internet of things and cloud computing The Handbook of Research on the IoT Cloud Computing and Wireless Network Optimization is a pivotal reference source that provides the latest research findings and solutions for the design and augmentation of wireless systems and cloud computing The content within this publication examines data mining machine learning and software engineering and is designed for IT specialists software engineers researchers academicians industry professionals and students **Intelligent**

Communication, Control and Devices Rajesh Singh, Sushabhan Choudhury, Anita Gehlot, 2018-04-10 The book focuses on the integration of intelligent communication systems control systems and devices related to all aspects of engineering and sciences It contains high quality research papers presented at the 2nd international conference ICICCD 2017 organized by the Department of Electronics Instrumentation and Control Engineering of University of Petroleum and Energy Studies Dehradun on 15 and 16 April 2017 The volume broadly covers recent advances of intelligent communication intelligent control and intelligent devices The work presented in this book is original research work findings and practical development experiences of researchers academicians scientists and industrial practitioners **Wearable/Personal Monitoring**

Devices Present to Future Gaetano D. Gargiulo, Ganesh R. Naik, 2021-10-26 This book discusses recent advances in wearable technologies and personal monitoring devices covering topics such as skin contact based wearables electrodes non contact wearables the Internet of things IoT and signal processing for wearable devices Although it chiefly focuses on wearable devices and provides comprehensive descriptions of all the core principles of personal monitoring devices the book also features a section on devices that are embedded in smart appliances furniture e g chairs which despite their limitations have taken the concept of unobtrusiveness to the next level Wearable and personal devices are the key to precision medicine and the medical community is finally exploring the opportunities offered by long term monitoring of physiological parameters that are collected during day to day life without the bias imposed by the clinical environment Such data offers a prime view of individuals physical condition as well as the efficacy of therapy and occurrence of events Offering an in depth analysis of the latest advances in smart and pervasive wearable devices particularly those that are unobtrusive and invisible and addressing topics not covered elsewhere the book will appeal to medical practitioners and engineers alike

Metaheuristic and Machine Learning Optimization Strategies for Complex Systems R., Thanigaivelan, M., Suchithra, S., Kaliappan, Mothilal, T., 2024-07-17 In contemporary engineering domains optimization and decision making issues are crucial Given the vast amounts of available data processing times and memory usage can be substantial

Developing and implementing novel heuristic algorithms is time consuming yet even minor improvements in solutions can significantly reduce computational costs. In such scenarios, the creation of heuristics and metaheuristic algorithms has proven advantageous. The convergence of machine learning and metaheuristic algorithms offers a promising approach to address these challenges. *Metaheuristic and Machine Learning Optimization Strategies for Complex Systems* covers all areas of comprehensive information about hyper heuristic models, hybrid meta heuristic models, nature inspired computing models, and meta heuristic models. The key contribution of this book is the construction of a hyper heuristic approach for any general problem domain from a meta heuristic algorithm. Covering topics such as cloud computing, internet of things, and performance evaluation, this book is an essential resource for researchers, postgraduate students, educators, data scientists, machine learning engineers, software developers, and engineers, policy makers, and more. *Emerging Trends in Electrical, Communications, and Information Technologies* T. Hitendra Sarma, V. Sankar, Rafi Ahamed Shaik, 2019-09-24. This book includes original peer reviewed research from the 3rd International Conference on Emerging Trends in Electrical Communication and Information Technologies ICECIT 2018 held at Srinivasa Ramanujan Institute of Technology Ananthapuramu Andhra Pradesh India in December 2018. It covers the latest research trends and developments in the areas of Electrical Engineering, Electronic and Communication Engineering, and Computer Science and Information **Research Anthology on Cross-Disciplinary Designs and Applications of Automation** Management Association, Information Resources, 2021-10-29. Throughout human history, technological advancements have been made for the ease of human labor. With our most recent advancements, it has been the work of scholars to discover ways for machines to take over a large part of this labor and reduce human intervention. These advancements may become essential processes to nearly every industry. It is essential to be knowledgeable about automation so that it may be applied. *Research Anthology on Cross Disciplinary Designs and Applications of Automation* is a comprehensive resource on the emerging designs and application of automation. This collection features a number of authors spanning multiple disciplines such as home automation, healthcare automation, government automation, and more. Covering topics such as human machine interaction, trust, calibration, and sensors, this research anthology is an excellent resource for technologists, IT specialists, computer engineers, systems and software engineers, manufacturers, engineers, government officials, professors, students, healthcare administration managers, CEOs, researchers, and academicians. *Integrated Green Energy Solutions, Volume 1* Milind Shrinivas Dangate, W. S. Sampath, O. V. Gnana Swathika, Sanjeevikumar Padmanaban, 2023-05-12. INTEGRATED GREEN ENERGY SOLUTIONS. This first volume in a two volume set presents the state of the art for the concepts, practical applications, and future of renewable energy and how to move closer to true sustainability. Renewable energy supplies are of ever increasing environmental and economic importance in every country worldwide. A wide range of renewable energy technologies has been established commercially and recognized as an important set of growth industries for most governments. World agencies including the United Nations

have extensive programs to encourage these emerging technologies This book will bridge the gap between descriptive reviews and specialized engineering technologies It centers on demonstrating how fundamental physical processes govern renewable energy resources and their applications Although the applications are updated continually the fundamental principles remain the same and this book will provide a useful platform for those advancing the subject and its industries Integrated Resilient Energy Solutions is a two volume set covering subjects of proven technical and economic importance worldwide Energy supply from renewables is an essential component of every nation s strategy especially when there is responsibility for the environment and sustainability These two volumes will consider the timeless renewable energy technologies principles yet demonstrate modern applications and case studies Whether for the veteran engineer student or other professional these two volumes are a must have for any library

Information and Communication Technology
Durgesh Kumar Mishra,Ahmad Taher Azar,Amit Joshi,2017-10-12 This book volume contains 31 papers presented at ICICT 2016 Second International Congress on Information and Communication Technology The conference was held during 12 13 December 2016 Bangkok Thailand and organized communally by G R Foundation and Computer Society of India Division IV Communication and Division V Education and Research This volume contains papers mainly focused on ICT for computation algorithms and data analytics and IT security

Home Automation Via Bluetooth Using the Arduino Uno Microcontroller
Ayush Kumar,2016 Abstract Home automation systems have gained popularity in recent years paralleling the advances in the concept of the Internet of Things The current project presents the implementation of an inexpensive home automation system within the framework of assistive technology The system implementation is based on the Arduino microcontroller with Bluetooth communications capability and it is designed for use by the elderly and people with disabilities The system is user friendly with an intuitive interface implemented on an Android based smart phone Demonstrations show that the system facilitates control of home appliances lights heating cooling systems and security devices by the intended users i e the elderly and the disabled

BLUETOOTH BASED HOME AUTOMATION SYSTEM OMER FAROOQ (TP016040),2012

Building Smart Home Automation Solutions with Home Assistant Marco Carvalho,2023-09-15 A step by step guide to building cost effective and complete home automation DIY projects using tools such as Home Assistant Raspberry Pi IoT devices the Tasmota sensor ESP32 and Grafana Key Features Learn by doing using real life practical examples to build your own home automation system Create hack and configure IoT devices through hands on projects to be used with or without Home Assistant Customize your home automation system using Home Assistant Node RED InfluxDB and Grafana Purchase of the print or Kindle book includes a free PDF eBook Book DescriptionPicture a home where you can adjust the lighting based on the time of day or when movement is detected In this same home you can also detect when a door is unexpectedly opened or an alarm is triggered in response to any suspicious activity Such automated devices form part of a smart home and the exciting part is that this book teaches you how to create and manage these devices all by yourself This book helps you create

your own ecosystem to automate your home using Home Assistant software You'll begin by understanding the components of a home automation system and learn how to create and configure them to operate seamlessly Then you'll set up Home Assistant on a Raspberry Pi to work as a home automation server build your own IoT sensors based on ESP32 ESP8266 and set up real life automation use cases using hands on examples and projects The chapters will also guide you in using software tools such as Node RED InfluxDB and Grafana to manage present and use data collected from your Home Automation devices Finally you'll gain insights into new technologies and trends in the home automation space to help you continue with your learning journey By the end of this book you'll be able to build your own creative IoT based home automation system using different hardware and software technologies What you will learn Understand the fundamental concepts of home automation systems Set up a home automation system using Home Assistant and Raspberry Pi Create and configure ESP8266 based sensors to work with Home Assistant Hack a commercial actuator to work with Home Assistant using Tasmota Create automations customize and use applications with Home Assistant Leverage IoT software tools to take your home automation to the next level Work on hands on projects including LED strip lights and an ESP32 five zone temperature logger Explore home automation FAQs emerging technologies and trends Who this book is for The book is for engineers developers students makers and enthusiasts who are working on or interested in working with electronics and IoT devices embedded systems systems integration computer software and coding to develop their own smart home automation systems Technicians teachers and other professionals who want to learn home automation related technologies will also find this book useful Prior experience of working with Raspberry Pi creating hardware prototypes and software programming will be beneficial

Home Automation Lisa Montgomery, Editor, Electronic House Magazine, 2014-09-12 Smart home automated home connected home or intelligent home Whatever you call it a home that's able to take the drudgery out of common everyday tasks is something that every family can appreciate In this inaugural book about home automation you'll learn how to incorporate the right types of products and systems into your house to achieve a new level of comfort convenience safety and efficiency The book walks you step by step through the process of automating your home and because automation systems are able to control just about anything electronic you can imagine we've provided plenty of practical ideas In 10 Key Features of a Home Automation System and Automation Ideas for Every System of Your House you'll gather more than enough recommendations to get started in your automation endeavor No matter how many great ideas you gather from our Home Automation book though it's important that the system you buy today incorporates the most recent iterations of control technologies We've followed the automation trends put them into perspective and offer advice on the critical new updates upgrades and upstarts you'll want to look into when selecting a system In addition to deciding what you want your automation system to do you'll want to determine whether you'd like to install the system yourself or hire a professional to handle the task Both methods offer their own unique set of advantages and disadvantages so be sure to read DIY or

Professionally Installed before making your decision You'll also want to check out our comprehensive directory of home automation manufacturers before taking the plunge Finally we finish the book with a series of finished automation installations which range from a basic starter package in a condo to a full blown bells and whistles system for a bigger house You'll see what types of features that owners of these homes chose to incorporate and hear how automation is truly making a difference in their lives The technology has been so carefully designed and meticulously installed that you may not even notice it in the full color photography of many of the rooms where lights motorized window shades and A V equipment have been automated to dim brighten turn on and off open and close and adjust and reset based on the time of day occupancy or the single touch of a button

Arduino Bluetooth Based Home Automation Mehmet AVCU,2021-01-05 [Arduino Bluetooth Based Home Automation](#)

[Arduino Home Automation Projects](#) Marco Schwartz,2014-07-23 This book is divided into projects that are explained in a step by step format with practical instructions that are easy to follow If you want to build your own home automation systems wirelessly using the Arduino platform this is the book for you You will need to have some basic experience in Arduino and general programming languages such as C and C++ to understand the projects in this book

[Building a Home Security System with BeagleBone](#) Bill Pretty,2013-12-17 Building a Home Security System with BeagleBone is a practical hands on guide for practical hands on people The book includes step by step instructions for assembling your own hardware on professionally manufactured PCB s and setting up the software on your system This book is for anyone who is interested in alarm systems and how they work for hobbyists and basement tinkerers who love to build things If you want to build the hardware described in this book you will need some basic soldering skills but all the parts are of the thru hole variety and are very easy to put together When it comes to software you can just run it as is but if you want to modify the code you will need knowledge of Java and IDEs

[Essential Guide to Smart Home Automation Safety and Security](#) Gerard O'Driscoll,2015-03-02 This book addresses readers who wish to gain an in depth understanding of Smart Home alarm and safety systems Detail is provided on six key smart systems that you can use to enhance your family's home security levels namely smart alarm systems Smart IP cameras Smart combo alarm devices smart access control smart locks and smart doorbells In addition to covering the integration of alarm and fire detection systems with your smartphone App this chapter also deals with adding smart air quality control water and freeze alert capabilities to your home This mini ebook includes technical illustrations examples of how smart homes are helping people insights from Gerard and details of an awesome monthly giveaway

Home Security System DIY Wireless IoT Using ESP32 CAM and Android Robert Chin,2022-08-07 This book shows you how you can save tons of money by building your own low cost maximum privacy and maximum security professional quality wireless home security system from common off the shelf parts You can monitor the home security system using your existing Android cell phone and existing home internet connection You will save lots of money on the home security system hardware itself as well as enjoy free email alert notifications and or low cost cell phone

text message alert notifications depending on the monitoring options you choose Easy to understand step by step instructions will be given so that the average non technical person will be able to assemble and operate this home security system The main components of the security system are the ESP32 CAM a motion sensor an Android cell phone and a home internet connection In addition custom software created by the author will be provided for the ESP32 and Android devices Security System Main Features Live Real Time Local Video Monitoring using multiple ESP32 CAM units Free Email Notifications With Images Using Your Existing Home Internet Connection Low Cost Text Message Notifications Using Your Android Cell Phone Easy Hardware Assembly and Simple Software Setup Procedure Use your existing Android cell phone to control and monitor your alarm system Modular sensor system allows you to add up to 11 ESP32 CAM units with motion sensors to the security system Maximum Security and Privacy Security System Basic Operation 1 Set up your security system for operation using your Controller cell phone 2 Activate the security system using your Controller cell phone 3 Receive emergency text alerts on your personal cell phone if the alarm has been tripped 4 Receive emergency emails with images of people that have tripped the sensors in or outside of your home to an email address you designate 5 If an intruder or other emergency is confirmed then call the police as needed

Wireless Based Home Security with Automation System Wan Norziela Wan Rosli,2010 The aim of the project is to design a wireless based home security with automation system The system uses wireless technology to revolutionize the standards of living which could give assurance for user to protect their homes from burglars thieves and criminals This project is so versatile and is equipped with various sensors such as passive infrared sensor magnetic switch sensor and vibration sensor to detect different forms of intrusion A microcontroller is used to control the system operation while a remote gadget is used to arm and disarm the system To ensure only the authorized user can operate the system the gadget is equipped with a password Various indication outputs such as BUZZER LED and LCD are used to display the alarm status In addition the sound indicators like siren are also included in the design to inform intrusion Due to the consideration of user friendliness portability as well as wider area coverage all the sensors and remote gadget are implemented using zigbee transceiver A backup battery module is also introduced in the design to ensure the system keep functioning even during power failure

Home Automation System Using Arduino System Via IR Sensor Akashdeep Singh,Varinder Singh,Gagandeep Singh,2018-10-07 This work presents the design and model implementation of a novel home automation system applying the Internet of Things IoT technology It seeks simplified design protocols for developing a robust home automation system to deal with the problems of complexity multiple incompatible standards and the resulting expenses in the existing systems The embedded system features the ubiquitous low cost 32 bit ESP8266 System on chip SoC module interfaced to some sensors and actuators for interaction in the home Flexibility in the remote access operation and management is achieved through HTML5 based intuitive mobile and web GUI applications Web Application Messaging Protocol WAMP is deployed to ensure that individual applications and systems seamlessly communicate with a relatively high

level of security using robust web service security protocol This system offers a cost effective and efficient solution excluded which are present mostly in other solutions because the costs of a dedicated public IP address and a high end computer are excluded which are present mostly in other solutions Advanced Home Security System Ali Abbas,2017

This is likewise one of the factors by obtaining the soft documents of this **Bluetooth Based Home Automation And Security System Using Arm9** by online. You might not require more get older to spend to go to the books opening as with ease as search for them. In some cases, you likewise realize not discover the message Bluetooth Based Home Automation And Security System Using Arm9 that you are looking for. It will agreed squander the time.

However below, bearing in mind you visit this web page, it will be fittingly unquestionably simple to get as capably as download guide Bluetooth Based Home Automation And Security System Using Arm9

It will not undertake many period as we run by before. You can reach it even though performance something else at house and even in your workplace. thus easy! So, are you question? Just exercise just what we allow under as competently as review **Bluetooth Based Home Automation And Security System Using Arm9** what you as soon as to read!

<https://py.bijouxmedusa.com/data/browse/index.jsp/Serve%20No%20Master%20How%20To%20Escape%20The%209%205%200Start%20Up%20An%20Online%20Business%20Fire%20Your%20Boss%20And%20Become%20A%20Lifestyle%20Entrepreneur%20Or%20Digital%20Nomad.pdf>

Table of Contents Bluetooth Based Home Automation And Security System Using Arm9

1. Understanding the eBook Bluetooth Based Home Automation And Security System Using Arm9
 - The Rise of Digital Reading Bluetooth Based Home Automation And Security System Using Arm9
 - Advantages of eBooks Over Traditional Books
2. Identifying Bluetooth Based Home Automation And Security System Using Arm9
 - Exploring Different Genres
 - Considering Fiction vs. Non-Fiction
 - Determining Your Reading Goals
3. Choosing the Right eBook Platform
 - Popular eBook Platforms
 - Features to Look for in an Bluetooth Based Home Automation And Security System Using Arm9

- User-Friendly Interface
- 4. Exploring eBook Recommendations from Bluetooth Based Home Automation And Security System Using Arm9
 - Personalized Recommendations
 - Bluetooth Based Home Automation And Security System Using Arm9 User Reviews and Ratings
 - Bluetooth Based Home Automation And Security System Using Arm9 and Bestseller Lists
- 5. Accessing Bluetooth Based Home Automation And Security System Using Arm9 Free and Paid eBooks
 - Bluetooth Based Home Automation And Security System Using Arm9 Public Domain eBooks
 - Bluetooth Based Home Automation And Security System Using Arm9 eBook Subscription Services
 - Bluetooth Based Home Automation And Security System Using Arm9 Budget-Friendly Options
- 6. Navigating Bluetooth Based Home Automation And Security System Using Arm9 eBook Formats
 - ePub, PDF, MOBI, and More
 - Bluetooth Based Home Automation And Security System Using Arm9 Compatibility with Devices
 - Bluetooth Based Home Automation And Security System Using Arm9 Enhanced eBook Features
- 7. Enhancing Your Reading Experience
 - Adjustable Fonts and Text Sizes of Bluetooth Based Home Automation And Security System Using Arm9
 - Highlighting and Note-Taking Bluetooth Based Home Automation And Security System Using Arm9
 - Interactive Elements Bluetooth Based Home Automation And Security System Using Arm9
- 8. Staying Engaged with Bluetooth Based Home Automation And Security System Using Arm9
 - Joining Online Reading Communities
 - Participating in Virtual Book Clubs
 - Following Authors and Publishers Bluetooth Based Home Automation And Security System Using Arm9
- 9. Balancing eBooks and Physical Books Bluetooth Based Home Automation And Security System Using Arm9
 - Benefits of a Digital Library
 - Creating a Diverse Reading Collection Bluetooth Based Home Automation And Security System Using Arm9
- 10. Overcoming Reading Challenges
 - Dealing with Digital Eye Strain
 - Minimizing Distractions
 - Managing Screen Time
- 11. Cultivating a Reading Routine Bluetooth Based Home Automation And Security System Using Arm9
 - Setting Reading Goals Bluetooth Based Home Automation And Security System Using Arm9

- Carving Out Dedicated Reading Time
- 12. Sourcing Reliable Information of Bluetooth Based Home Automation And Security System Using Arm9
 - Fact-Checking eBook Content of Bluetooth Based Home Automation And Security System Using Arm9
 - Distinguishing Credible Sources
- 13. Promoting Lifelong Learning
 - Utilizing eBooks for Skill Development
 - Exploring Educational eBooks
- 14. Embracing eBook Trends
 - Integration of Multimedia Elements
 - Interactive and Gamified eBooks

Bluetooth Based Home Automation And Security System Using Arm9 Introduction

Bluetooth Based Home Automation And Security System Using Arm9 Offers over 60,000 free eBooks, including many classics that are in the public domain. Open Library: Provides access to over 1 million free eBooks, including classic literature and contemporary works. Bluetooth Based Home Automation And Security System Using Arm9 Offers a vast collection of books, some of which are available for free as PDF downloads, particularly older books in the public domain. Bluetooth Based Home Automation And Security System Using Arm9 : This website hosts a vast collection of scientific articles, books, and textbooks. While it operates in a legal gray area due to copyright issues, its a popular resource for finding various publications. Internet Archive for Bluetooth Based Home Automation And Security System Using Arm9 : Has an extensive collection of digital content, including books, articles, videos, and more. It has a massive library of free downloadable books. Free-eBooks Bluetooth Based Home Automation And Security System Using Arm9 Offers a diverse range of free eBooks across various genres. Bluetooth Based Home Automation And Security System Using Arm9 Focuses mainly on educational books, textbooks, and business books. It offers free PDF downloads for educational purposes. Bluetooth Based Home Automation And Security System Using Arm9 Provides a large selection of free eBooks in different genres, which are available for download in various formats, including PDF. Finding specific Bluetooth Based Home Automation And Security System Using Arm9, especially related to Bluetooth Based Home Automation And Security System Using Arm9, might be challenging as theyre often artistic creations rather than practical blueprints. However, you can explore the following steps to search for or create your own Online Searches: Look for websites, forums, or blogs dedicated to Bluetooth Based Home Automation And Security System Using Arm9, Sometimes enthusiasts share their designs or concepts in PDF format. Books and Magazines Some Bluetooth Based Home Automation And Security System Using Arm9 books or magazines might include. Look for these

in online stores or libraries. Remember that while Bluetooth Based Home Automation And Security System Using Arm9, sharing copyrighted material without permission is not legal. Always ensure you're either creating your own or obtaining them from legitimate sources that allow sharing and downloading. Library Check if your local library offers eBook lending services. Many libraries have digital catalogs where you can borrow Bluetooth Based Home Automation And Security System Using Arm9 eBooks for free, including popular titles. Online Retailers: Websites like Amazon, Google Books, or Apple Books often sell eBooks. Sometimes, authors or publishers offer promotions or free periods for certain books. Authors Website Occasionally, authors provide excerpts or short stories for free on their websites. While this might not be the Bluetooth Based Home Automation And Security System Using Arm9 full book, it can give you a taste of the authors writing style. Subscription Services Platforms like Kindle Unlimited or Scribd offer subscription-based access to a wide range of Bluetooth Based Home Automation And Security System Using Arm9 eBooks, including some popular titles.

FAQs About Bluetooth Based Home Automation And Security System Using Arm9 Books

How do I know which eBook platform is the best for me? Finding the best eBook platform depends on your reading preferences and device compatibility. Research different platforms, read user reviews, and explore their features before making a choice. Are free eBooks of good quality? Yes, many reputable platforms offer high-quality free eBooks, including classics and public domain works. However, make sure to verify the source to ensure the eBook credibility. Can I read eBooks without an eReader? Absolutely! Most eBook platforms offer web-based readers or mobile apps that allow you to read eBooks on your computer, tablet, or smartphone. How do I avoid digital eye strain while reading eBooks? To prevent digital eye strain, take regular breaks, adjust the font size and background color, and ensure proper lighting while reading eBooks. What the advantage of interactive eBooks? Interactive eBooks incorporate multimedia elements, quizzes, and activities, enhancing the reader engagement and providing a more immersive learning experience. Bluetooth Based Home Automation And Security System Using Arm9 is one of the best book in our library for free trial. We provide copy of Bluetooth Based Home Automation And Security System Using Arm9 in digital format, so the resources that you find are reliable. There are also many Ebooks of related with Bluetooth Based Home Automation And Security System Using Arm9. Where to download Bluetooth Based Home Automation And Security System Using Arm9 online for free? Are you looking for Bluetooth Based Home Automation And Security System Using Arm9 PDF? This is definitely going to save you time and cash in something you should think about.

Find Bluetooth Based Home Automation And Security System Using Arm9 :

serve no master how to escape the 9 5 start up an online business fire your boss and become a lifestyle entrepreneur or digital nomad

sedimentary rocks

singapore primary math grade 1 workbook set 1a and 1b

science olympiad questions and answers

shikhar par milenge hindi edn of see you at the top by

schema di un cancello automatico

shug book by jenny han

shimadzu xrd 6000 user guide

service manual for mercury 85hp outboard motor

sindh high court rules and forms ma law

saunders veterinary anatomy coloring book 1e

sigmund freud james strachey peter gay

secondary 3 normal academic maths exam papers

~~shpenzimet publike punim seminarik~~

~~schema impianto elettrico fiat punto 1 serie~~

Bluetooth Based Home Automation And Security System Using Arm9 :

earth science quick study guide workbook trivia ques - Jul 02 2022

web earth science quick study guide workbook trivia questions bank worksheets to review homeschool notes with answer key pdf earth science study guide with answers for self teaching learning includes worksheets to solve problems with hundreds of trivia questions

earth science study guide workbook answer key prentica hall - Nov 06 2022

web study guide chapter concludes with a test yourself section that allows the student to test their comprehension all questions include answers and explanations prentice hall earth science guided reading and study workbook level a se prentica hall 2007 09 bring content to life with the interactive whiteboard ready products for prentice hall

chapter 1 introduction to earth science flagstaff unified school - Aug 03 2022

web earth science guided reading and study workbook 1 ipls chapter 1 introduction to earth science summary 1 1 what is

earth science earth science is the name for the group of sciences that deals with earth and its neighbors in space

geology means study of earth geology is divided into physical geology and historical geology

[quiz worksheet the study of earth science study com](#) - Dec 27 2021

web instructions choose an answer and hit next you will receive your score and answers at the end question 1 of 3 sara is

considering moving to california but she is scared of earthquakes

[earth science study guide with answer key overdrive](#) - Jun 13 2023

web sep 9 2022 earth science study guide with answer key pdf covers basic concepts and analytical assessment tests earth

science question bank pdf book helps to practice workbook questions from exam prep notes earth science study guide with

answers includes self learning guide with verbal quantitative and analytical past papers quiz

[printable earth science worksheets and answer keys study guides](#) - Jul 14 2023

web high school earth science worksheets and answer keys study guides and vocabulary sets earth science encompasses four

main branches of study which include geology meteorology oceanography and astronomy

[chapter 1 the nature of science study guide answer key](#) - Mar 10 2023

web 2 they can be used by the teacher to assess understanding of the activity or experiment or can be compared with the

results of other students 3 line graph should be going up and to the right 4 time 5 mass of product 6 the mass of product

increases with time 7 model 8 theory 9 law 10 an early model held that earth was the center of

[earth science guided reading and study workbook answer key](#) - Jan 08 2023

web 01 read the instructions carefully before starting 02 review the assigned text or materials related to earth science 03

take notes and highlight key concepts theories and important details 04 answer the questions in a clear and concise manner

providing accurate and relevant information 05

[welcome to ck 12 foundation ck 12 foundation](#) - Sep 04 2022

web aug 27 2020 1 0 what is earth science worksheets 2 0 studying earth s surface worksheets 3 0 earth s minerals

worksheets 4 0 rocks worksheets 5 0 earth s energy worksheets 6 0 plate tectonics worksheets 7 0 earthquakes worksheets 8

0 volcanoes worksheets 9 0 weathering and formation of soil worksheets 10 0 erosion and

[earth science homework answers scholaron com](#) - Dec 07 2022

web earth science homework answers exclusive assistance is now available for your earth science homework answers get the

maximum out of our vast collection of question and answers to improve your grades instantly search now 4 9 430584 ratings

new scholaron has more than 2 million answers life long with accounting 20 off

[earth science free study guide simple studies](#) - May 12 2023

web earth science this pdf has 60 pages with 9 units and covers topics such as mapping earth s composition astronomy

meteorology and more

earth science quick study guide workbook trivia questions - Jun 01 2022

web sep 9 2022 earth science quick study guide workbook trivia questions bank worksheets to review homeschool notes with answer key pdf earth science revision notes terminology concepts about self teaching learning includes revision notes to solve problems with hundreds of trivia questions

chapter 1 introduction to earth science sharpschool - Jan 28 2022

web answer key chapter 1 introduction to earth science section 1 what is earth science review 1 first row from left to right geology study fossils to learn about earth s history second row from left to right oceanography oceans explore the ocean floor third row from left to right earth s

earth science quick study guide workbook trivia questions - Feb 26 2022

web sep 9 2022 earth science quick study guide workbook trivia questions bank worksheets to review homeschool notes with answer key pdf earth science study guide with answer key for self teaching learning includes worksheets to solve problems with hundreds of trivia questions

earth science sarah smith - Apr 30 2022

web earth science the physical setting second edition which follows the new york state core curriculum which is based on national standards is an introduction to the study of earth science the specific standards covered in each chapter are listed in the table of contents and next to the text to which they apply and next to each student activity

earth science study guide answers marion county public schools - Apr 11 2023

web transpiration evaporation condensation and precipitation the transfer of the sun s energy is called radiation cold fronts that are followed by fair cooler weather warm fronts bring rain and showers followed by warmer more humid weather occluded fronts usually rain or other precipitation

earth science study guide with answer key trivia questions - Mar 30 2022

web sep 9 2022 earth science study guide with answer key pdf covers basic concepts and analytical assessment tests earth science question bank pdf ebook helps to practice workbook questions from exam prep notes earth science quick study guide with answers includes self learning guide with verbal quantitative and analytical past

earth science guided reading and study k12 workbook - Oct 05 2022

web worksheets are chapter 1 introduction to earth science active reading workbook study guide for content mastery lesson plans 01 sw6 lp grade 4 earth science unit earth science guided reading and study workbook answer key earth science guided reading and study workbook

glencoe earth science study guide answer key answers for - Feb 09 2023

web earth science guided study workbook answer key docplayer net to download free earth science sol review questions answer key edoqs you need science at glencoe study guide and reinforcement se glencoe earth science

earth science 1st edition solutions and answers quizlet - Aug 15 2023

web now with expert verified solutions from earth science 1st edition you ll learn how to solve your toughest homework problems our resource for earth science includes answers to chapter exercises as well as detailed information to

uok result 2023 here s how to check kota university result - Sep 07 2022

web jul 27 2023 step 1 visit the official portal of kota university uok ac in step 2 go to the results tab step 3 the univexam info page will open step 4 navigate to result panel step 5 select the result year type ug pg courses and class for result

kota university releases 2023 exam results on - May 15 2023

web aug 11 2023 kota university uok has released the 2023 results for ba bsc and bcom 1st 2nd and 3rd year exams students can access their marks on the official website using their roll or enrollment number

uok result 2022 kota university result declared for ba 3rd - Nov 09 2022

web sep 9 2022 university of kota uok has declared the result for the ba 3rd year students candidates who appeared for the ug exam in the months of may and july can now check their kota university result 2022 on the official website uok ac in steps to check as well as direct links have been shared below

university of kota uok exam results 2023 released uok ac in - Aug 06 2022

web kota university result 2023 24 the university of kota has released the result for various ug and pg courses students will be able to check their kota university results online by visiting the official website of the university

university of kota b com part i exam result 2021 indiaresults - Feb 12 2023

web university of kota b com part i exam result 2021 b com part i exam result 2021 disclaimer though we have taken utmost care in publication of the results

kota university results 2023 uok results 2023 univexam org - Jun 16 2023

web university of kota results are available on indiaresults com as well for more details please visit our website uok ac in near kabir circle mbs marg swami vivek ngr city kota pincode 324005 state rajasthan phone 0744 2472934

university kota result 2023 24 course wise uok ac in - Jul 05 2022

web university kota result 2020 21 the university will be released on the official website students have to enter particular details to download the result university conducted the entrance examination rajasthan pre veterinary test rpvt all the latest notification will be is available on the university website

kota university uok result 2023 out uok ac in collegedunia - Apr 14 2023

web may 3 2023 kota university result 2023 university of kota uok has announced the result for various undergraduate

postgraduate semester examinations for students to check on its official website at uok ac in [university of kota uok kota indcareer](#) - Jun 04 2022

web latest notices results result university of kota bachelor of arts ba exam results 28 jul 2023 result university of kota bachelor of commerce b com exam result 27 apr 2022 result university of kota master of arts ma exam result 27 apr 2022 result university of kota bachelor of science bsc exam results 19 dec 2018

university of kota kota admission courses fees placements - May 03 2022

web address university of kota near kabir circle mbs marg kota rajasthan 324005 india get contact details articles latest articles popular articles top tier 2 mba colleges in india jul 11 2023 top tier 1 mba colleges in india jul 11 2023 top mba exams other than cat in india jun 16 2023

welcome to university of kota kota rajasthan - Apr 02 2022

web university of kota kota near kabir circle mbs marg kota rajasthan 324 005 india [complete listings of rajasthan examination results](#) - Jan 11 2023

web jan 6 2023 mahatma gandhi university of medical sciences technology jaipur rajasthan sanskrit university university of kota kota university of rajasthan rajasthan public service commission mds university ajmer maharaja ganga singh university bikaner jai narayan vyas university jodhpur view more

kota university ug pg exam results 2023 ba bsc bcom - Oct 08 2022

web mar 23 2023 kota university result 2023 ug pg courses the university of kota rajasthan is releasing one by one exam results for all ug and pg courses like ba ma b com bsc m sc b ed etc all regular and private students of kota university can check kota university result 2023 through this page

kota university result 2022 declared for ba final year direct - Dec 10 2022

web sep 9 2022 students who appeared in the exam in the month of may and july can check and download the kota university ba third year 2022 result 2022 through the official website of uok uok ac in

university of kota kota indiaresults com pdf uniport edu - Mar 01 2022

web jun 4 2023 university of kota kota indiaresults com 3 10 downloaded from uniport edu ng on june 4 2023 by guest sensing computer science and intelligent systems signal and image processing and information and communication technology

uok result 2023 out direct link to download kota university - Mar 13 2023

web sep 7 2023 direct links to check kota university uok results 2023 check here the direct link for university of kota uok result 2023 for ba b sc b com part 1 2 and 3 and other examinations

[welcome to university of kota kota](#) - Jul 17 2023

web university of kota near kabir circle mbs marg kota rajasthan 324 005 india email registrar uok ac in

complete result listings of university of kota rajasthan indiaresults - Aug 18 2023

web jul 27 2023 explore our complete results listings of university of kota stay informed with indiaresults com

university of kota kota indiaresults com copy uniport edu - Jan 31 2022

web mar 28 2023 we offer university of kota kota indiaresults com and numerous book collections from fictions to scientific research in any way in the middle of them is this university of kota kota indiaresults com that can be your partner

university of kota kota indiaresults com uniport edu - Dec 30 2021

web jul 23 2023 university of kota kota indiaresults com 1 9 downloaded from uniport edu ng on july 23 2023 by guest

university of kota kota indiaresults com yeah reviewing a ebook university of kota kota indiaresults com could build up your close connections listings this is just one of the solutions for you to be successful

ling bada karne ka upay ling mota lamba kaise kare xlarge - Jan 12 2023

jun 1 2019 ling bada karne ka upay ling mota lamba kaise kare 1000mg 100 100 rated 4 86 out of 5 based on 7 customer ratings 7 customer reviews 1 299 00

mota lund mota land bada lund ling bada kaise kare hindi - Oct 09 2022

sep 26 2023 mota lund mota land bada lund ling bada kaise kare hindi ling badhane ke upay hindi me lund lamba karne ka tarika ling bada karne ka gharelu tarika in hindi ling bada karne

1000mg 100 100 - Apr 03 2022

1000mg 100 100 rated 4 86 out of 5 based on 7 customer ratings 7 customer reviews 1 299 00

ling mota karne ki dawa xlarge - Mar 02 2022

mar 1 2020 ling mota lamba kaise kare ling sambandhit aur jankariya ling mota karne ki dawa and ling bada karne ka tablet india s best herbal ayurvedic formulation for enlargement 100 natural safe 100 satisfaction no side effects

ling ko mota karne ke 16 gharelu nuskhe - Sep 20 2023

nov 10 2022 ling ko mota karne ke 16 gharelu nuskhe 1 2 3 4 5 6 7 8 9

arginine 10

lund - Apr 15 2023

mar 27 2018 lund bada karne ke liye purush ko yaniki mard ladke ko apne lund ki dekhbal karne ki jarurat hai male ka lund ko purush ka ling aisa bolte hai lund bada karne ke tarike kai sare hai jinme se apko humne ling ko bada aur ling ko tagda

kaise banate hai bataya hai

lund ko mota karne ka tarika youtube - Aug 19 2023

apr 21 2018 96k views 5 years ago lund ko mota karne ka tarika lund ko mota karne ka upay lund ko mota karne ka tarika

lund ko mota karne ka upay we reimagined cable try

lund ko mota karne ka upay kya hai vokal - Dec 11 2022

lund ko mota karne ka upay kya hai download the vokal app

vikesh kumar teacher 0 26

- Feb 01 2022

may 17 2019 que ling ko mota aur lamba karne ki ayurvedic dawai xlarge

xlarge

- Jul 06 2022

oct 29 2021 ling bada karne ki dawa ayurvedic penis

badhane ki medicine

ling lamba mota bada lund khada karne ke gharelu upay tarike youtube - Jun 17 2023

may 25 2016 ling lamba mota karne ke gharelu upay tarike ayurvedic gharelu nuskhe in hindi mota lund lund lamba karne

ka tarika ling bada kare ke upay es video me kai tarike bataye gaye

ling lund ko mota lamba bada karne ke upay tarike dawai - Sep 08 2022

ling ko mota karne ke nuskhe in hindi land lamba mota karne ka tarika ling ko lamba karne ke gharelu upay mota aur lamba

land panis mota karne ka upay lund mota aur lamba

lund bada karne ki asardar dawa aggripure - Mar 14 2023

1 299 00 lund ko mota tagda banane ki dawa kai sari jadi booti ka mishran hai 1000 mg powerful tablet powerful relibond

medicine for bigger lund take 1 tablet daily after dinner no side effects of relibond pure ayurvedic and effective medicine

mota tagda luybd cod available on checkout 20 off on each online payment

9 7 - Aug 07 2022

jun 6 2019 note ling bada karne ka upay xlarge

oil - Jun 05 2022

aug 28 2019 power

