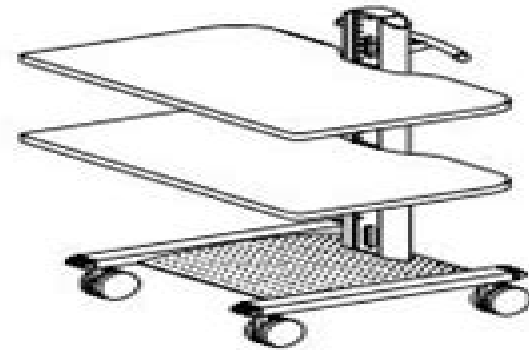




BRETFORD

PRESENTATION ENVIRONMENTS®
DOCUMENT CAMERA CART



PARTS LIST

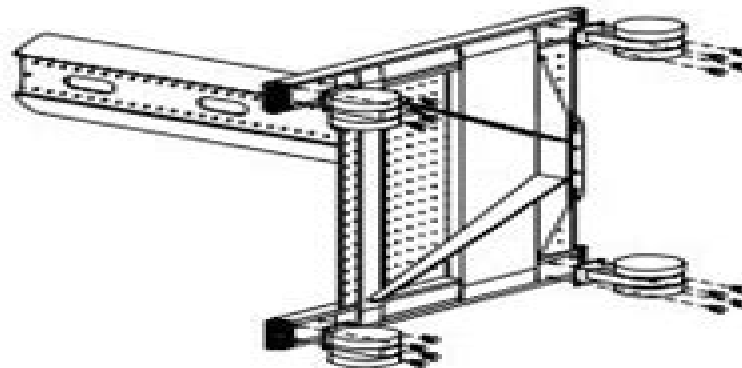
Qty	Description
1	Base Assembly
2	Worksurface Mounting Bracket
1	Handle Assembly
1	Insert Panel
2	Wood Worksurface
2	4" Plate Casters w/ Brake
2	4" Plate Casters w/o Brake

HARDWARE LIST

Qty	Description
16	5/16-18 x 5/8" Hex Head Screws
10	1/4-20 x 5/8" Combo Screws
10	1/4-20 Flange Nuts
12	1/4-20 x 3/4" Combo Screws

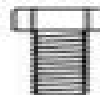
Two person assembly is recommended.

Assembling this unit on a carpeted surface will reduce the risk of damaging the parts.



STEP 1

Lay the base assembly on its side and attach each caster with the 5/16-18 x 5/8" hex head screws as shown.



Document Camera Cart Bretford

RJ Shavelson



Document Camera Cart Bretford:

Document Camera Cart Bretford Book Review: Unveiling the Magic of Language

In an electronic era where connections and knowledge reign supreme, the enchanting power of language has become more apparent than ever. Its capability to stir emotions, provoke thought, and instigate transformation is actually remarkable. This extraordinary book, aptly titled "**Document Camera Cart Bretford**," compiled by a very acclaimed author, immerses readers in a captivating exploration of the significance of language and its profound effect on our existence. Throughout this critique, we shall delve into the book's central themes, evaluate its unique writing style, and assess its overall influence on its readership.

https://py.bijouxmedusa.com/files/Resources/Documents/Cock_And_Bull.pdf

Table of Contents Document Camera Cart Bretford

1. Understanding the eBook Document Camera Cart Bretford
 - The Rise of Digital Reading Document Camera Cart Bretford
 - Advantages of eBooks Over Traditional Books
2. Identifying Document Camera Cart Bretford
 - Exploring Different Genres
 - Considering Fiction vs. Non-Fiction
 - Determining Your Reading Goals
3. Choosing the Right eBook Platform
 - Popular eBook Platforms
 - Features to Look for in a Document Camera Cart Bretford
 - User-Friendly Interface
4. Exploring eBook Recommendations from Document Camera Cart Bretford
 - Personalized Recommendations
 - Document Camera Cart Bretford User Reviews and Ratings
 - Document Camera Cart Bretford and Bestseller Lists

5. Accessing Document Camera Cart Bretford Free and Paid eBooks
 - Document Camera Cart Bretford Public Domain eBooks
 - Document Camera Cart Bretford eBook Subscription Services
 - Document Camera Cart Bretford Budget-Friendly Options
6. Navigating Document Camera Cart Bretford eBook Formats
 - ePub, PDF, MOBI, and More
 - Document Camera Cart Bretford Compatibility with Devices
 - Document Camera Cart Bretford Enhanced eBook Features
7. Enhancing Your Reading Experience
 - Adjustable Fonts and Text Sizes of Document Camera Cart Bretford
 - Highlighting and Note-Taking Document Camera Cart Bretford
 - Interactive Elements Document Camera Cart Bretford
8. Staying Engaged with Document Camera Cart Bretford
 - Joining Online Reading Communities
 - Participating in Virtual Book Clubs
 - Following Authors and Publishers Document Camera Cart Bretford
9. Balancing eBooks and Physical Books Document Camera Cart Bretford
 - Benefits of a Digital Library
 - Creating a Diverse Reading Collection Document Camera Cart Bretford
10. Overcoming Reading Challenges
 - Dealing with Digital Eye Strain
 - Minimizing Distractions
 - Managing Screen Time
11. Cultivating a Reading Routine Document Camera Cart Bretford
 - Setting Reading Goals Document Camera Cart Bretford
 - Carving Out Dedicated Reading Time
12. Sourcing Reliable Information of Document Camera Cart Bretford
 - Fact-Checking eBook Content of Document Camera Cart Bretford
 - Distinguishing Credible Sources
13. Promoting Lifelong Learning

- Utilizing eBooks for Skill Development
 - Exploring Educational eBooks
14. Embracing eBook Trends
- Integration of Multimedia Elements
 - Interactive and Gamified eBooks

Document Camera Cart Bretford Introduction

Document Camera Cart Bretford Offers over 60,000 free eBooks, including many classics that are in the public domain. Open Library: Provides access to over 1 million free eBooks, including classic literature and contemporary works. Document Camera Cart Bretford Offers a vast collection of books, some of which are available for free as PDF downloads, particularly older books in the public domain. Document Camera Cart Bretford : This website hosts a vast collection of scientific articles, books, and textbooks. While it operates in a legal gray area due to copyright issues, its a popular resource for finding various publications. Internet Archive for Document Camera Cart Bretford : Has an extensive collection of digital content, including books, articles, videos, and more. It has a massive library of free downloadable books. Free-eBooks Document Camera Cart Bretford Offers a diverse range of free eBooks across various genres. Document Camera Cart Bretford Focuses mainly on educational books, textbooks, and business books. It offers free PDF downloads for educational purposes. Document Camera Cart Bretford Provides a large selection of free eBooks in different genres, which are available for download in various formats, including PDF. Finding specific Document Camera Cart Bretford, especially related to Document Camera Cart Bretford, might be challenging as theyre often artistic creations rather than practical blueprints. However, you can explore the following steps to search for or create your own Online Searches: Look for websites, forums, or blogs dedicated to Document Camera Cart Bretford, Sometimes enthusiasts share their designs or concepts in PDF format. Books and Magazines Some Document Camera Cart Bretford books or magazines might include. Look for these in online stores or libraries. Remember that while Document Camera Cart Bretford, sharing copyrighted material without permission is not legal. Always ensure youre either creating your own or obtaining them from legitimate sources that allow sharing and downloading. Library Check if your local library offers eBook lending services. Many libraries have digital catalogs where you can borrow Document Camera Cart Bretford eBooks for free, including popular titles. Online Retailers: Websites like Amazon, Google Books, or Apple Books often sell eBooks. Sometimes, authors or publishers offer promotions or free periods for certain books. Authors Website Occasionally, authors provide excerpts or short stories for free on their websites. While this might not be the Document Camera Cart Bretford full book , it can give you a taste of the authors writing style. Subscription Services Platforms like Kindle Unlimited or Scribd offer subscription-based access to a wide range of Document Camera Cart

Bretford eBooks, including some popular titles.

FAQs About Document Camera Cart Bretford Books

What is a Document Camera Cart Bretford PDF? A PDF (Portable Document Format) is a file format developed by Adobe that preserves the layout and formatting of a document, regardless of the software, hardware, or operating system used to view or print it. **How do I create a Document Camera Cart Bretford PDF?** There are several ways to create a PDF: Use software like Adobe Acrobat, Microsoft Word, or Google Docs, which often have built-in PDF creation tools. Print to PDF: Many applications and operating systems have a "Print to PDF" option that allows you to save a document as a PDF file instead of printing it on paper. Online converters: There are various online tools that can convert different file types to PDF. **How do I edit a Document Camera Cart Bretford PDF?** Editing a PDF can be done with software like Adobe Acrobat, which allows direct editing of text, images, and other elements within the PDF. Some free tools, like PDFescape or Smallpdf, also offer basic editing capabilities. **How do I convert a Document Camera Cart Bretford PDF to another file format?** There are multiple ways to convert a PDF to another format: Use online converters like Smallpdf, Zamzar, or Adobe Acrobat's export feature to convert PDFs to formats like Word, Excel, JPEG, etc. Software like Adobe Acrobat, Microsoft Word, or other PDF editors may have options to export or save PDFs in different formats. **How do I password-protect a Document Camera Cart Bretford PDF?** Most PDF editing software allows you to add password protection. In Adobe Acrobat, for instance, you can go to "File" -> "Properties" -> "Security" to set a password to restrict access or editing capabilities. Are there any free alternatives to Adobe Acrobat for working with PDFs? Yes, there are many free alternatives for working with PDFs, such as: LibreOffice: Offers PDF editing features. PDFsam: Allows splitting, merging, and editing PDFs. Foxit Reader: Provides basic PDF viewing and editing capabilities. How do I compress a PDF file? You can use online tools like Smallpdf, ILovePDF, or desktop software like Adobe Acrobat to compress PDF files without significant quality loss. Compression reduces the file size, making it easier to share and download. Can I fill out forms in a PDF file? Yes, most PDF viewers/editors like Adobe Acrobat, Preview (on Mac), or various online tools allow you to fill out forms in PDF files by selecting text fields and entering information. Are there any restrictions when working with PDFs? Some PDFs might have restrictions set by their creator, such as password protection, editing restrictions, or print restrictions. Breaking these restrictions might require specific software or tools, which may or may not be legal depending on the circumstances and local laws.

Find Document Camera Cart Bretford :

cock and bull

college physics wilson buffa lou

cinderella book in afrikaans

clanbook brujah vampire the masquerade pdf book library

christmas cantata vocal score

coherence and quantum optics viii proceedings of the eighth rochester conference on coherence and qu

einderella piano musical sheet

civil engineering lab tests

clinical laboratory hematology 3rd edition pearson clinical laboratory science series

cnc interview questions and answers

emos analog circuit design 3rd edition solutions

colin drury management and cost accounting 9th edition

classic game design from pong to pacman with unity computer science

code de la route 480 test

clinically oriented anatomy 6th edition testbank testbank questions for the book clinically oriented anatomy 6th edition

Document Camera Cart Bretford :

amazon big deal days in october here s what you should know - Oct 12 2020

web 1 day ago pa election 2023 what to know about the judicial retention questions on the november ballot pennsylvania voters will be asked to consider giving two superior

from questioning to knowing paperback 31 jan 2017 - Jul 13 2023

web buy from questioning to knowing by barnett lisa isbn 9781945949272 from amazon s book store everyday low prices and free delivery on eligible orders

piers morgan s weak line of questioning allowed rubiales to - Nov 12 2020

web sep 11 2023 house republicans are not only facing resistance from within their own ranks to impeach president joe biden they re also getting a cool reception from another key

from questioning to knowing audiobook written by lisa barnett - Apr 29 2022

web amazon in buy from questioning to knowing book online at best prices in india on amazon in read from questioning to knowing book reviews author details and

[send us your questions for werner herzog the guardian](#) - Jun 19 2021

web sep 14 2023 the agency is appointing a new uap research director nasa s ufo study team released its long awaited first report today and while its experts found no signs of

from questioning to knowing overdrive - Feb 08 2023

web dec 15 2020 from questioning to knowing 73 prayers to transform your life was channeled through lisa for humanity to support those who want to fulfill their life s

[from questioning to knowing 73 prayers to transform your life](#) - May 31 2022

web questioning definition 1 the situation in which the police ask someone questions about a crime 2 of someone s learn more

questioning definition meaning synonyms vocabulary com - Jan 27 2022

web questioning definition indicating or implying a question a questioning tone in her voice see more

[top questions to ask your adviser cu boulder today](#) - Aug 22 2021

web 6 hours ago fri 15 sep 2023 10 00 edt werner herzog occupies a unique position in the modern cultural landscape the german auteur has directed 75 films at a rate of more

[from questioning to knowing seventy three prayers to](#) - Nov 05 2022

web from questioning to knowing paperback 31 january 2017 by lisa barnett author visit amazon s lisa barnett page find all the books read about the author and more

aaron rodgers achilles dolphins questioning artificial playing - Apr 05 2020

ex secret service agent reveals new jfk assassination detail - Feb 13 2021

web sep 10 2023 the short answer is yes the at home covid tests on the market should pick up all of the variants in circulation including eg 5 fl 1 5 1 and ba 2 86 said dr michael

[from questioning to knowing by lisa barnett alibris](#) - Sep 22 2021

web 9 hours ago luis rubiales has arrived at a madrid court to be questioned by a judge investigating his kiss of jenni hermosa the former head of spain s football federation

[pa election 2023 what to know about the judicial retention](#) - Aug 10 2020

web sep 12 2023 hong kong national security police detained the parents in law of fugitive former legislator ted hui chi fung and his wife s brother for questioning on tuesday as

from questioning to knowing 73 prayers to transform your life - Aug 02 2022

web mar 10 2017 lisa is also the international bestselling author of the infinite wisdom of the akashic records and from question to knowing 73 prayers to transform your life

second gop debate time what to watch for as 2024 candidates - Mar 17 2021

web 1 day ago washington post contributing columnist dr leana s wen will be online monday sept 18 at 1 p m et to answer reader questions on the recent covid 19

amazon com customer reviews from questioning to knowing - Dec 26 2021

web define questioning questioning synonyms questioning pronunciation questioning translation english dictionary definition of questioning n 1 a sentence phrase or

from questioning to knowing 73 prayers to transform - Jun 12 2023

web mar 10 2017 lisa barnett 15 books4 followers lisa barnett is the internationally recognized bestselling author of the infinite wisdom of the akashic records with her

from questioning to knowing kağıt kapak 31 ocak 2017 - May 11 2023

web from questioning to knowing barnett lisa amazon com tr kitap Çerez tercihlerinizi seçin Çerez bildirimimizde detaylandırıldığı üzere satın alım yapmanızı sağlamak

questioning definition meaning dictionary com - Nov 24 2021

web add to cart add this copy of from questioning to knowing paperback or softback to cart 15 27 new condition sold by bargainbookstores rated 4 0 out of 5 stars ships

j f k assassination witness breaks his silence and raises - May 19 2021

web sep 9 2023 after last month s showdown some candidates will likely change their strategies and whom they will attack during the two hour debate from 9 to 11 p m est

from questioning to knowing - Apr 10 2023

web from questioning to knowing when somebody should go to the ebook stores search launch by shop shelf by shelf it is in reality problematic this is why we provide the book

michigan state suspends mel tucker amid harassment case - Jul 09 2020

web sep 12 2023 jadon sancho has removed the message in which the forward questioned erik ten hag s reason for dropping him for manchester united s 3 1 loss at arsenal in

luis rubiales arrives at madrid court to be questioned over jenni - Jul 21 2021

web sep 9 2023 j f k assassination witness breaks his silence and raises new questions the account of paul landis one of the secret service agents just feet away from john f

from questioning to knowing 73 prayers to - Sep 03 2022

web from questioning to knowing 73 prayers to transform your life was channeled through lisa for humanity to support those who want to fulfill their life s purpose and create their

wehear audiobook from questioning to knowing - Dec 06 2022

web from questioning to knowing book read reviews from world s largest community for readers this powerful prayer book is designed for people seeking heali

hong kong national security police detain in laws of fugitive ted - Jun 07 2020

web 1 day ago howard was told that for the upcoming world cup any artificial turf surfaces are being swapped out for grass messi howard said he s worth like a billion dollars but

from questioning to knowing amazon com - Aug 14 2023

web jan 31 2017 from questioning to knowing 73 prayers to transform your life is a direct path to clearer energy a more open heart and divineguidance that will give you the answers to the questions you have and thechallenges you re facing

buy from questioning to knowing book online at low prices in - Feb 25 2022

web sep 9 2022 find helpful customer reviews and review ratings for from questioning to knowing at amazon com read honest and unbiased product reviews from our users

questioning definition of questioning by the free dictionary - Oct 24 2021

web 3 hours ago top questions to ask your adviser sept 15 2023 advisers aren t here just to help you pick classes they guide you through all the critical decisions dilemmas and

house gop push to launch biden impeachment probe runs into - Sep 10 2020

web sep 10 2023 michigan state ad announces mel tucker s suspension without pay 2 10 michigan state athletic director alan haller explains his decision to suspend mel tucker

nasa ufo report finds no evidence of extraterrestrial origin for - Apr 17 2021

web sep 13 2023 paul landis an 88 year old former secret service agent who witnessed the president s death at close range says in an upcoming memoir that he took a bullet from

opinion covid 19 q a leana wen answers reader questions - Jan 15 2021

web 2 days ago luis rubiales came out in defence of his actions after spain s women s world cup win on piers morgan uncensored photograph talk tv except what really

questioning english meaning cambridge dictionary - Mar 29 2022

web questioning is an appeal or demand for an answer or for more information sometimes the police will bring a witness to a crime into the station for questioning as if being

from questioning to knowing 73 prayers to transform your life - Mar 09 2023

web from questioning to knowing provides the answers to the questions that until now have not been answerable why you are stuck where you are and how to move forward

what you need to know about testing yourself for covid in 2023 - Dec 14 2020

web 9 hours ago prime big deal days is a member exclusive sales event just like prime day before it and prime early access sale before that if you re not already a member you ll

from questioning to knowing barnett lisa amazon com au - Oct 04 2022

web lisa is also the international bestselling author of the infinite wisdom of the akashic records and from question to knowing 73 prayers to transform your life she has

manchester united s jadon sancho removes message - May 07 2020

buy from questioning to knowing book akashic lords - Jan 07 2023

web so often the real reason we are not living the life of our dreams is because there are unresolved issues from the past that hold us back that keep us tied to old wounds and

from questioning to knowing by lisa barnett audible com - Jul 01 2022

web mar 16 2021 from questioning to knowing 73 prayers to transform your life was channeled through lisa for humanity to support those who want to fulfill their life s

best selling amish romance 56 books goodreads - Apr 03 2023

web best selling amish romance author samantha bayarr flag all votes add books to this list 1 temptation temptation 1 by karen ann hopkins goodreads author 3 78 avg rating 1 755 ratings score 496 and 5 people voted

amazon com customer reviews amish romance the walnut creek amish - Jul 06 2023

web find helpful customer reviews and review ratings for amish romance the walnut creek amish romance series boxset becky s heart short amish romance stories at amazon com read honest and unbiased product reviews from our users

amish romance the walnut creek amish romance seri full - Jul 26 2022

web the brunstetters return to a unique amish setting for three new stories of love journey back to an area of pennsylvania that is home to three distinct amish communities and meet three young

a sugarcreek amish romance the complete series a su - Jun 05 2023

web jul 13 2014 the complete series of a suspenseful amish romance at a low price how do you keep a friendship a sugarcreek amish romance the complete series a sugarcreek amish romance the endless summer three years later and willis choice bundle by anna fisher goodreads

amish romance the walnut creek amish romance seri 2023 - Dec 31 2022

web a broken heart the walnut grove romance series boxed set mar 23 2023 a boxed set of the three books in the walnut grove romance series 1 we can laugh together too 2 his past came calling 3 no smoke without fire each book in the trilogy follows young widow livi as she meets and falls in love with matt a veterinarian they first

amish romance the walnut creek amish romance series - Mar 02 2023

web compre amish romance the walnut creek amish romance series boxset becky s heart short amish romance stories english edition de cartwright emma na amazon com br confira também os ebooks mais vendidos lançamentos e livros

amish romance the walnut creek amish romance seri pdf - Aug 27 2022

web aug 4 2023 is amish romance the walnut creek amish romance seri pdf below the walnut creek wish wanda e brunstetter 2021 08 in walnut creek ohio a couple s marriage is on the brink of collapse could a trip to an amish antique store set them on a path of healing the sugarcreek surprise wanda e brunstetter 2022 03 01

amish romance the walnut creek amish romance series - Sep 27 2022

web romance the walnut creek amish romance series boxset becky s heart short amish romance stories by emma cartwright emma cartwright audiobook ebooks download pdf epub doc 222215 in ebooks 2015 05 13 2015 05 13file name b00xnp173s file size 62 mb

amish romance the walnut creek amish romance seri pdf - Feb 18 2022

web a 6 part serial novel 1 the english son available now 2 the stubborn father available now 3 the betrayed fiancee may 2016 4 the missing will june 2016 5 the divided fami

amish romance the walnut creek amish romance seri 2022 - Jun 24 2022

web 2 amish romance the walnut creek amish romance seri 2022 01 13 amish romance the walnut creek amish romance seri downloaded from db csda org by guest villegas alvarez the trustworthy one zondervan free preview book 1 in the creektown discoveries series from nyt bestselling author wanda e brunstetter an

amish romance the walnut creek amish romance series - Aug 07 2023

web amish romance the walnut creek amish romance series boxset becky s heart short amish romance stories ebook cartwright emma amazon com au books

amish romance the walnut creek amish romance seri pdf - Mar 22 2022

web introduces the amish community of pebble creek and some of the kind caring people there as they face challenges to their community from the english world they come together to reach out to their non amish neighbors

amish romance the walnut creek amish romance series - Oct 09 2023

web may 13 2015 amish romance the walnut creek amish romance series boxset becky s heart short amish romance stories

kindle edition by emma cartwright author format kindle edition 4 4 4 4 out of 5 stars 205 ratings

12 things you didn't know about amish romance novels ranker - May 04 2023

web sep 16 2019 amish romance novels are a stunningly lucrative industry in the united states christian or inspirational publishing generates some 720 million every year and that astounding figure is due in no small part to the amish romance beverly lewis and wanda brunstetter the rockstars of the amish romance genre have sold some 30

[amish romance the walnut creek amish romance seri](#) - Nov 29 2022

web 2 amish romance the walnut creek amish romance seri 2020 09 24 amish romance the walnut creek amish romance seri downloaded from ftp popcake com by guest cynthia emmalee a simple winter simon and schuster discover the charming first novella in a new amish romance series from the new york times bestselling

amish romance the walnut creek amish romance seri pdf - Apr 22 2022

web amish romance the walnut creek amish romance seri the walnut creek wish free preview the walnut creek wish the walnut creek wish shall we dance the trustworthy one the robin s greeting free preview the sound of distant thunder the amish of weaver s creek book 1 the brides of webster county my brother s

[amish romance the walnut creek amish romance series](#) - Sep 08 2023

web may 13 2015 her sister rachel sees becky in a different light and longs for her to be happily married so when a newcomer from pennsylvania arrives rachel seizes the opportunity to present becky to him as a desirable match however micah arrives in iowa with one objective to work

[the amish of apple creek series in order by shelley shepard](#) - Oct 29 2022

web series list the amish of apple creek 3 books by shelley shepard gray a sortable list in reading order and chronological order with publication date genre and rating

amish romance the walnut creek amish romance seri pdf - May 24 2022

web mar 5 2023 books taking into account this amish romance the walnut creek amish romance seri pdf but end going on in harmful downloads rather than enjoying a fine ebook subsequent to a cup of coffee in the afternoon then again they juggled later some harmful virus inside their computer amish romance the walnut creek amish

amish romance wikipedia - Feb 01 2023

web amish romance is a literary subgenre of christian fiction featuring amish characters but written and read mostly by evangelical christian women an industry term for amish romance novels is bonnet rippers because most feature a woman in a bonnet on the cover and bonnet ripper is a play on the term bodice ripper from classic romance

managing the wild stories of people and plants and tropical - Aug 03 2022

web managing the wild stories of people and plants and tropical forests ebook written by charles m peters read this book

using google play books app on your pc android ios devices download for offline reading highlight bookmark or take notes while you read managing the wild stories of people and plants and tropical forests

managing the wild stories of people and plants and tropical - Sep 04 2022

web drawn from ecologist charles m peters s thirty five years of fieldwork around the globe these absorbing stories argue that the best solutions for sustainably managing tropical forests come from the people who live in them

managing the wild stories of people and plants and tropical - Aug 15 2023

web managing the wild stories of people and plants and tropical forests on jstor front matter download xml table of contents download xml preface download xml maps download xml introduction the challenge of sustainable forest use download xml the ramón tree and the maya download xml mexican bark paper commercialization

managing the wild stories of people and plants and tropical - Oct 05 2022

web managing the wild stories of people and plants and tropical forests ebook peters charles m amazon co uk kindle store

managing the wild stories of people and plants and tropical - Dec 27 2021

web managing the wild stories of people and plants and tropical forests ebook peters charles m amazon com au kindle store

managing the wild stories of people and plants and tropical - Jun 13 2023

web feb 20 2018 drawn from ecologist charles m peters s thirty five years of fieldwork around the globe these absorbing stories argue that the best solutions for sustainably managing tropical forests come

managing the wild stories of people and plants an full pdf - Nov 06 2022

web managing the wild stories of people and plants an of people and plants mar 07 2023 this autobiography flavored by messegue s rich french heritage and the depth of his knowledge of native plant medicine offers detailed information about the use of specific plants in treating a wide variety of ailments

managing the wild stories of people and plants and tropical - Feb 26 2022

web feb 20 2018 drawn from ecologist charles m peters s thirty five years of fieldwork around the globe these absorbing stories argue that the best solutions for sustainably managing tropical forests come from the people who live in them

review managing the wild stories of people and plants and tropical - Feb 09 2023

web apr 5 2018 managing the wild stories of people and plants and tropical forests by charles m peters excluding local people from conservation is not the way to preserve vital vegetation as it is they whose practices produce the

wildlife management an overview sciencedirect topics - Jan 28 2022

web wildlife management techniques because wildlife management is an applied science methods and techniques for both research and implementation are important as a result a considerable amount of research has been directed at developing assessing and improving techniques techniques for managing wildlife are aimed at studying reducing

managing the wild stories of people and plants and tropical - Mar 30 2022

web managing the wild stories of people and plants and tropical forests ebook peters charles m amazon ca kindle store

managing the wild stories of people and plants and tropical - Jul 02 2022

web managing the wild stories of people and plants and tropical forests by charles m peters new haven ct and london uk new york botanical garden and yale university press 2018 hardcover 208 pages 30 00 managing the wild is a remarkable and wonderful book that i could not put down in fact this is probably one of the most

managing the wild stories of people and plants and tropical - Dec 07 2022

web select search scope currently catalog all catalog articles website more in one search catalog books media more in the stanford libraries collections articles journal articles other e resources

managing the wild yale university press - May 12 2023

web feb 20 2018 managing the wild share share also available managing the wild stories of people and plants and tropical forests by charles m peters course book request print exam desk copy request ebook exam copy 208 pages 5 50 x 8 25 x 0 75 in 23 b w illus hardcover 9780300229332

managing the wild stories of people and plants and tropical - Jun 01 2022

web drawn from ecologist charles m peters s thirty five years of fieldwork around the globe these absorbing stories argue that the best solutions for sustainably managing tropical forests come from the people who live in them

managing the wild stories of people and plants and tropical - Apr 11 2023

web managing the wild stories of people and plants and tropical forests by charles m peters bronx new york new york botanical garden new haven connecticut yale university press 30 00 xxiii 184 p ill index isbn

managing the wild on apple books - Apr 30 2022

web drawn from ecologist charles m peters s thirty five years of fieldwork around the globe these absorbing stories argue that the best solutions for sustainably managing tropical forests come from the people who live in them

managing the wild stories of people and plants and tropical forests - Jul 14 2023

web feb 20 2018 hardcover illustrated february 20 2018 drawn from ecologist charles m peters s thirty five years of fieldwork around the globe these absorbing stories argue that the best solutions for sustainably managing tropical

managing the wild stories of people and plants and tro - Mar 10 2023

web feb 20 2018 drawn from ecologist charles m peters s thirty five years of fieldwork around the globe these absorbing stories argue that the best solutions for sustainably managing tropical forests come from the people who live in them

managing the wild stories of people and plants and tropical - Jan 08 2023

web apr 4 2018 buy managing the wild stories of people and plants and tropical forests illustrated by peters charles m isbn

9780300229332 from amazon s book store everyday low prices and free delivery on eligible orders