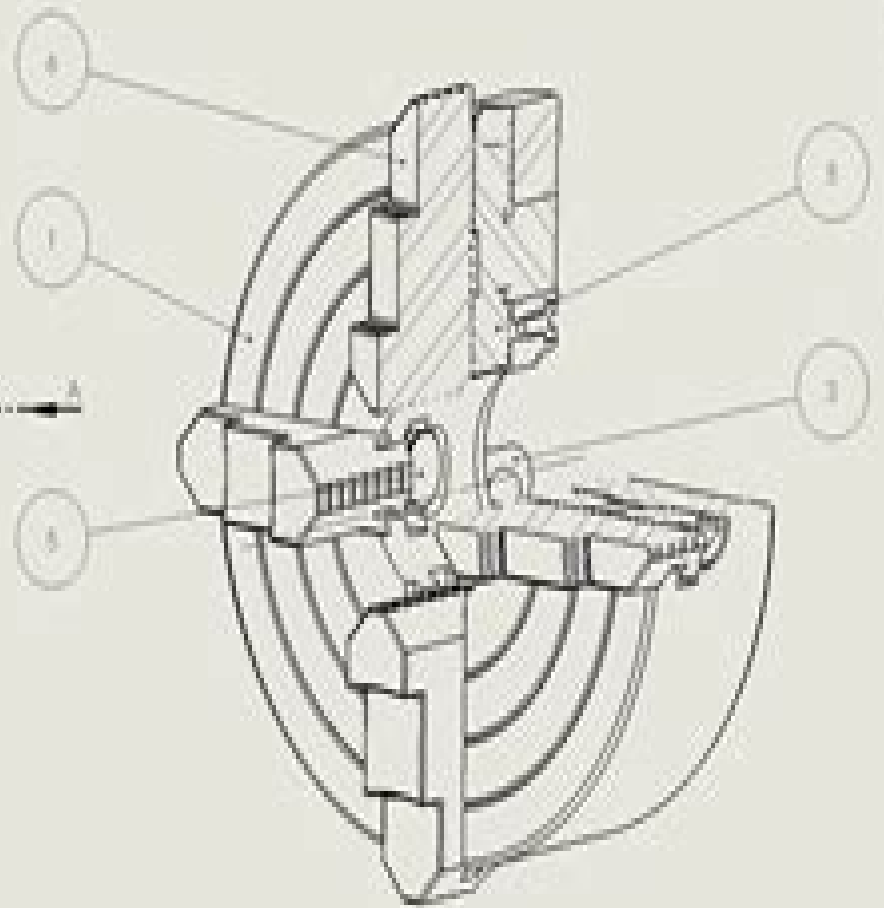
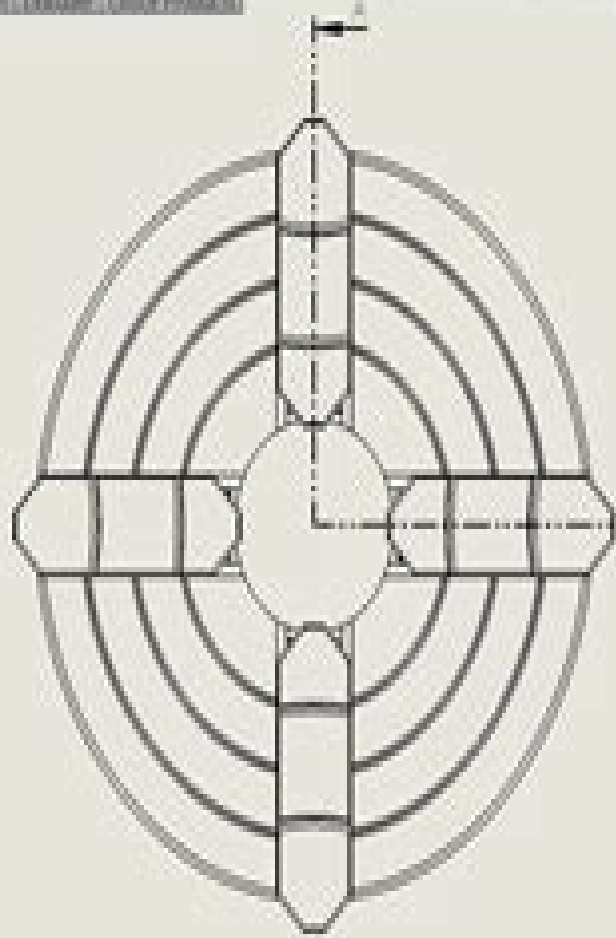


- Annotations
- Section
- Table
- Section Symbol
- Section Cloud
- Section Target
- Area Hatch/PS



SECTION A-A
SCALE: 1:1

Drawing Section View Solidworks Savoi

Katrin Zwirglmaier



Drawing Section View Solidworks Savoi:

Drawing Section View Solidworks Savoi Book Review: Unveiling the Magic of Language

In an electronic digital era where connections and knowledge reign supreme, the enchanting power of language has become apparent than ever. Its ability to stir emotions, provoke thought, and instigate transformation is really remarkable. This extraordinary book, aptly titled "**Drawing Section View Solidworks Savoi**," published by a highly acclaimed author, immerses readers in a captivating exploration of the significance of language and its profound impact on our existence. Throughout this critique, we shall delve to the book's central themes, evaluate its unique writing style, and assess its overall influence on its readership.

https://py.bijouxmedusa.com/results/book-search/default.aspx?q_uick_reference_guide.pdf

Table of Contents Drawing Section View Solidworks Savoi

1. Understanding the eBook Drawing Section View Solidworks Savoi
 - The Rise of Digital Reading Drawing Section View Solidworks Savoi
 - Advantages of eBooks Over Traditional Books
2. Identifying Drawing Section View Solidworks Savoi
 - Exploring Different Genres
 - Considering Fiction vs. Non-Fiction
 - Determining Your Reading Goals
3. Choosing the Right eBook Platform
 - Popular eBook Platforms
 - Features to Look for in an Drawing Section View Solidworks Savoi
 - User-Friendly Interface
4. Exploring eBook Recommendations from Drawing Section View Solidworks Savoi
 - Personalized Recommendations
 - Drawing Section View Solidworks Savoi User Reviews and Ratings
 - Drawing Section View Solidworks Savoi and Bestseller Lists

5. Accessing Drawing Section View Solidworks Savoi Free and Paid eBooks
 - Drawing Section View Solidworks Savoi Public Domain eBooks
 - Drawing Section View Solidworks Savoi eBook Subscription Services
 - Drawing Section View Solidworks Savoi Budget-Friendly Options
6. Navigating Drawing Section View Solidworks Savoi eBook Formats
 - ePub, PDF, MOBI, and More
 - Drawing Section View Solidworks Savoi Compatibility with Devices
 - Drawing Section View Solidworks Savoi Enhanced eBook Features
7. Enhancing Your Reading Experience
 - Adjustable Fonts and Text Sizes of Drawing Section View Solidworks Savoi
 - Highlighting and Note-Taking Drawing Section View Solidworks Savoi
 - Interactive Elements Drawing Section View Solidworks Savoi
8. Staying Engaged with Drawing Section View Solidworks Savoi
 - Joining Online Reading Communities
 - Participating in Virtual Book Clubs
 - Following Authors and Publishers Drawing Section View Solidworks Savoi
9. Balancing eBooks and Physical Books Drawing Section View Solidworks Savoi
 - Benefits of a Digital Library
 - Creating a Diverse Reading Collection Drawing Section View Solidworks Savoi
10. Overcoming Reading Challenges
 - Dealing with Digital Eye Strain
 - Minimizing Distractions
 - Managing Screen Time
11. Cultivating a Reading Routine Drawing Section View Solidworks Savoi
 - Setting Reading Goals Drawing Section View Solidworks Savoi
 - Carving Out Dedicated Reading Time
12. Sourcing Reliable Information of Drawing Section View Solidworks Savoi
 - Fact-Checking eBook Content of Drawing Section View Solidworks Savoi
 - Distinguishing Credible Sources
13. Promoting Lifelong Learning

- Utilizing eBooks for Skill Development
 - Exploring Educational eBooks
14. Embracing eBook Trends
- Integration of Multimedia Elements
 - Interactive and Gamified eBooks

Drawing Section View Solidworks Savoi Introduction

Drawing Section View Solidworks Savoi Offers over 60,000 free eBooks, including many classics that are in the public domain. Open Library: Provides access to over 1 million free eBooks, including classic literature and contemporary works. Drawing Section View Solidworks Savoi Offers a vast collection of books, some of which are available for free as PDF downloads, particularly older books in the public domain. Drawing Section View Solidworks Savoi : This website hosts a vast collection of scientific articles, books, and textbooks. While it operates in a legal gray area due to copyright issues, its a popular resource for finding various publications. Internet Archive for Drawing Section View Solidworks Savoi : Has an extensive collection of digital content, including books, articles, videos, and more. It has a massive library of free downloadable books. Free-eBooks Drawing Section View Solidworks Savoi Offers a diverse range of free eBooks across various genres. Drawing Section View Solidworks Savoi Focuses mainly on educational books, textbooks, and business books. It offers free PDF downloads for educational purposes. Drawing Section View Solidworks Savoi Provides a large selection of free eBooks in different genres, which are available for download in various formats, including PDF. Finding specific Drawing Section View Solidworks Savoi, especially related to Drawing Section View Solidworks Savoi, might be challenging as theyre often artistic creations rather than practical blueprints. However, you can explore the following steps to search for or create your own Online Searches: Look for websites, forums, or blogs dedicated to Drawing Section View Solidworks Savoi, Sometimes enthusiasts share their designs or concepts in PDF format. Books and Magazines Some Drawing Section View Solidworks Savoi books or magazines might include. Look for these in online stores or libraries. Remember that while Drawing Section View Solidworks Savoi, sharing copyrighted material without permission is not legal. Always ensure youre either creating your own or obtaining them from legitimate sources that allow sharing and downloading. Library Check if your local library offers eBook lending services. Many libraries have digital catalogs where you can borrow Drawing Section View Solidworks Savoi eBooks for free, including popular titles. Online Retailers: Websites like Amazon, Google Books, or Apple Books often sell eBooks. Sometimes, authors or publishers offer promotions or free periods for certain books. Authors Website Occasionally, authors provide excerpts or short stories for free on their websites. While this might not be the Drawing Section View Solidworks Savoi full book , it can give you a taste of the authors writing style. Subscription Services

Platforms like Kindle Unlimited or Scribd offer subscription-based access to a wide range of Drawing Section View Solidworks Savoi eBooks, including some popular titles.

FAQs About Drawing Section View Solidworks Savoi Books

How do I know which eBook platform is the best for me? Finding the best eBook platform depends on your reading preferences and device compatibility. Research different platforms, read user reviews, and explore their features before making a choice. Are free eBooks of good quality? Yes, many reputable platforms offer high-quality free eBooks, including classics and public domain works. However, make sure to verify the source to ensure the eBook credibility. Can I read eBooks without an eReader? Absolutely! Most eBook platforms offer web-based readers or mobile apps that allow you to read eBooks on your computer, tablet, or smartphone. How do I avoid digital eye strain while reading eBooks? To prevent digital eye strain, take regular breaks, adjust the font size and background color, and ensure proper lighting while reading eBooks. What the advantage of interactive eBooks? Interactive eBooks incorporate multimedia elements, quizzes, and activities, enhancing the reader engagement and providing a more immersive learning experience. Drawing Section View Solidworks Savoi is one of the best book in our library for free trial. We provide copy of Drawing Section View Solidworks Savoi in digital format, so the resources that you find are reliable. There are also many Ebooks of related with Drawing Section View Solidworks Savoi. Where to download Drawing Section View Solidworks Savoi online for free? Are you looking for Drawing Section View Solidworks Savoi PDF? This is definitely going to save you time and cash in something you should think about.

Find Drawing Section View Solidworks Savoi :

q uick reference guide

recovering landscape essays in contemporary landscape architecture

radial engine assembly drafting

python the complete reference

qst30g4 engine parts

real analysis carothers solutions

real estate finance investments real estate finance and investments 14th fourteenth edition by brueggeman william fisher

jeffrey published by mcgraw hillirwin 2010

re solutions manual mechanics of materials craig

pte academic most repeated essay writings with short cut

[qarshi medicine list in urdu order products in the club](#)

rebus puzzles weebly

[rasa shastra evam bhaishajya kalpana cotasy](#)

[radio network planning and optimisation for umts](#)

[renault clio 1 2 16v 2001 service manual wordpress](#)

[psychological types by carl jung pdf pdfcollectzuab](#)

Drawing Section View Solidworks Savoi :

[the unexpected truth about animals review a splendid read](#) - Dec 27 2021

web oct 27 2017 the unexpected truth about animals i have long admired lucy cooke for her extraordinary achievement of making the world love the finest of all creatures the sloth by william hartston

[the unexpected truth about animals stoned sloths lovelorn](#) - Jul 14 2023

web the unexpected truth about animals stoned sloths lovelorn hippos and other wild tales cooke lucy amazon com tr kitap

the unexpected truth about animals brilliant natural history - Aug 03 2022

web the unexpected truth about animals brilliant natural history starring lovesick hippos stoned sloths exploding bats and frogs in taffeta trousers cooke lucy amazon com au books

the unexpected truth about animals booktopia - Jun 01 2022

web jul 30 2018 booktopia has the unexpected truth about animals stoned sloths lovelorn hippos and other wild tales by lucy cooke buy a discounted paperback of the unexpected truth about animals online from australia s leading online bookstore

buy the unexpected truth about animals brilliant natural history - Sep 04 2022

web amazon in buy the unexpected truth about animals brilliant natural history starring lovesick hippos stoned sloths exploding bats and frogs in taffeta trousers book online at best prices in india on amazon in read the unexpected truth about animals brilliant natural history starring lovesick hippos stoned sloths exploding bats and

[the truth about animals stoned sloths lovelorn hippos and](#) - Jun 13 2023

web the truth about animals stoned sloths lovelorn hippos and other tales from the wild side of wildlife hardcover april 17 2018 by lucy cooke author 4 5 541 ratings editors pick best nonfiction see all formats and editions

[the unexpected truth about animals stoned sloths lovelorn](#) - Nov 06 2022

web the unexpected truth about animals stoned sloths lovelorn hippos and other wild tales popular science by lucy cooke author 470 pages b w photos b w illustrations publisher black swan select version isbn 9781784161903 paperback may 2018

not in stock usually dispatched within 1 week 10 99 240366

the truth about animals stoned sloths lovelorn hippos and - Jul 02 2022

web apr 17 2018 in the truth about animals lucy cooke takes us on a worldwide journey to meet everyone from a colombian hippo castrator to a chinese panda porn peddler all to lay bare the secret and often hilarious habits of the animal kingdom

the unexpected truth about animals brilliant natural history - Apr 11 2023

web the unexpected truth about animals brilliant natural history starring lovesick hippos stoned sloths exploding bats and frogs in taffeta trousers cooke lucy on amazon com free shipping on qualifying offers

the unexpected truth about animals booktopia - Mar 30 2022

web jul 30 2018 booktopia has the unexpected truth about animals stoned sloths lovelorn hippos and other wild tales by lucy cooke buy a discounted paperback of the unexpected truth about animals online from australia s leading online bookstore

the unexpected truth about animals brilliant natural history - Apr 30 2022

web the unexpected truth about animals brilliant natural history starring lovesick hippos stoned sloths exploding bats and frogs in taffeta trousers cooke lucy isbn 9780857524119 kostenloser versand für alle bücher

the unexpected truth about animals brilliant natural history - Feb 09 2023

web the unexpected truth about animals brilliant natural history starring lovesick hippos stoned sloths exploding bats and frogs in taffeta trousers ebook cooke lucy amazon co uk books

the unexpected truth about animals penguin books uk - Jan 08 2023

web in the unexpected truth about animals zoologist lucy unravels many such myths that eels are born from sand that swallows hibernate under water and that bears gave birth to formless lumps that are licked into shape by their mothers to show that the stories we create reveal as much about us as they do about the animals

the unexpected truth about animals brilliant natural history - Dec 07 2022

web buy the unexpected truth about animals brilliant natural history starring lovesick hippos stoned sloths exploding bats and frogs in taffeta trousers by cooke lucy online on amazon ae at best prices fast and free shipping free returns cash on delivery available on eligible purchase

the truth about animals stoned sloths lovelorn hippos and - Mar 10 2023

web the truth about animals stoned sloths lovelorn hippos and other tales from the wild side of wildlife by lucy cooke new york basic books hachette book group 28 00 ix 336 p ill index isbn 978 0 465 09464 6 hc 978 0 465 09465 3 eb

the unexpected truth about animals brilliant natural history - Feb 26 2022

web the unexpected truth about animals brilliant natural history starring lovesick hippos stoned sloths exploding bats and frogs in taffeta trousers english edition kindle ausgabe englisch ausgabe von lucy cooke autor format kindle ausgabe 298

sternebewertungen alle formate und editionen anzeigen kindle 9 44 lies mit

buy the unexpected truth about animals stoned sloths - Oct 05 2022

web amazon in buy the unexpected truth about animals stoned sloths lovelorn hippos and other wild tales book online at best prices in india on amazon in read the unexpected truth about animals stoned sloths lovelorn hippos and other wild tales book reviews author details and more at amazon in free delivery on qualified orders

the unexpected truth about animals a menagerie of the - Aug 15 2023

web oct 19 2017 4 25 4 418 ratings640 reviews librarian note newer editions of this book have released with a different title the truth about animals stoned sloths lovelorn hippos and other tales from the wild side of wildlife see isbn 9780465094646

the unexpected truth about animals brilliant natural history - Jan 28 2022

web the unexpected truth about animals brilliant natural history starring lovesick hippos stoned sloths exploding bats and frogs in taffeta trousers copertina rigida 19 ottobre 2017

the unexpected truth about animals stoned sloths lovelorn - May 12 2023

web may 31 2018 buy the unexpected truth about animals stoned sloths lovelorn hippos and other wild tales 1 by cooke lucy isbn 9781784161903 from amazon s book store everyday low prices and free delivery on eligible orders

papertoy pikachu une da c co a cra c er soi mame download - Feb 26 2022

web 4 papertoy pikachu une da c co a cra c er soi mame 2023 04 25 updated and expanded edition now includes 30 activities and offers better parle d une fille avec le syndrome de down qui est découragée par son handicap car elle n arrive pas à s intégrer elle n arrive pas à se faire des amis cependant sierra

papertoy poka c mon une da c co a cra c er soi ma pdf - Mar 30 2022

web 2 papertoy poka c mon une da c co a cra c er soi ma 2021 08 01 new and exciting features improvements and components the innovative teacher edition with cd allows a teacher to approach the teaching and learning of science with confidence as it includes pages from the student book with wrap around teacher notes including answers hints

papertoy poka c mon une da c co a cra c er soi ma wayson - May 12 2023

web kindly say the papertoy poka c mon une da c co a cra c er soi ma is universally compatible with any devices to read images of postmodern society norman k denzin 1991 09 26 by using a series of studies of contemporary mainstream hollywood movies blue velvet wall street crimes

papertoy poka c mon une da c co a cra c er soi ma - Sep 04 2022

web 2 papertoy poka c mon une da c co a cra c er soi ma 2023 04 30 warhol s printmaking since 1962 but a lively visual chronicle of the culture as well jacket the oxford picture dictionary sterling innovation fascinating fun facts wa and the world is the sister publication to awesome wa 1001 fair dinkum facts about western australia

[papertoy poka c mon une da c co a cra c er soi ma](#) - Dec 27 2021

web papertoy poka c mon une da c co a cra c er soi ma 3 3 status goldwyn draws back the curtain to reveal the personal journeys of yesteryear s icons of female sexuality and power restoring their legacy to an age that has all but forgotten them despite today s resurgence of burlesque 30 second brain wentworth press photographic reproduction

[papertoy poka c mon une da c co a cra c er soi ma](#) - Aug 15 2023

web papertoy poka c mon une da c co a cra c er soi ma 3 3 and more than 200 sheets of double sided origami paper everything an origami enthusiast needs to create the ancient japanese art of complex paper folding origami has been popular in the west for decades now you can jump on the craft with origami animals super paper pack this kit

[papertoy poka c mon une da c co a cra c er soi ma pdf](#) - Jul 14 2023

web aug 5 2023 papertoy poka c mon une da c co a cra c er soi ma 2 6 downloaded from uniport edu ng on august 5 2023 by guest witchcraft crafts of gujarat jasleen dhamija 1985 achtung panzer heinz guderian 1995 this is one of the most significant military books of the twentieth century by an outstanding soldier of independent mind it pushed

papertoy poka c mon une da c co a cra c er soi ma pdf pdf - Jan 08 2023

web jun 28 2023 papertoy poka c mon une da c co a cra c er soi ma pdf as recognized adventure as competently as experience virtually lesson amusement as well as contract can be gotten by just checking out a ebook papertoy poka c mon une da c co a cra c er soi ma pdf next it is not directly done you could acknowledge even more vis vis this

papertoy poka c mon une da c co a cra c er soi ma pdf - Jun 01 2022

web papertoy poka c mon une da c co a cra c er soi ma downloaded from retailer bonide com by guest angie yosef pretty things university of washington press it s all about sentiment imagine opening this book after 5 years reading loving messages from people dear to your heart happy memories that jump out from every

papertoy poka c mon une da c co a cra c er soi ma pdf - Dec 07 2022

web papertoy poka c mon une da c co a cra c er soi ma 3 3 your binoculars it s time to go on an adventure in daniel bernstrom s follow up to the critically acclaimed one day in the eucalyptus eucalyptus tree a fearless little girl takes off in search of a giant gator but she s not going into that swamp alone no way

[papertoy poka c mon une da c co a cra c er soi ma pdf](#) - Oct 05 2022

web papertoy poka c mon une da c co a cra c er soi ma pdf if you ally obsession such a referred papertoy poka c mon une da c co a cra c er soi ma pdf books that will have enough money you worth get the very best seller from us currently from several preferred authors if you want to witty books lots of novels tale jokes and more fictions

papertoy poka c mon une da c co a cra c er soi ma pdf - Apr 11 2023

web an overview essay by curator laura hoptman is divided into thematic chapters that explore topics such as re animation

and reenactment recontextualization zombie painting and the concomitant
[papertoy poka c mon une da c co a cra c er soi ma duane elgin](#) - Mar 10 2023

web recognizing the quirk ways to acquire this books papertoy poka c mon une da c co a cra c er soi ma is additionally useful
you have remained in right site to start getting this info acquire the papertoy poka c mon une da c co a cra c er soi ma
associate that we come up with the money for here and check out the link

[paper toys à imprimer gratuitement tête à modeler](#) - Jan 28 2022

web paper toy des jouets de papier à imprimer les paper toys sont un grand classique du bricolage et des jouets enfants sur
cette page paper toys est pris au sens le plus large tous les jouets de papier à imprimer depuis sa création tête à modeler a
toujours proposé de nombreux paper toys le papier étant la matière première la

[papertoy poka c mon une da c co a cra c er soi ma](#) - Apr 30 2022

web 2 papertoy poka c mon une da c co a cra c er soi ma 2021 09 10 bourgeois diary personal notes short texts from
jaussaud marie laure bernadac and xavier girard this is a must have addition to any serious admirer of louise bourgeois as
well as a fascinating entry point for those just discovering her groundbreaking

[papertoy poka c mon une da c co a cra c er soi ma pdf](#) - Aug 03 2022

web may 1 2023 papertoy poka c mon une da c co a cra c er soi ma pdf right here we have countless books papertoy poka c
mon une da c co a cra c er soi ma pdf and collections to check out we additionally have enough money variant types and next
type of the books to browse the normal book fiction history novel scientific research as

read free papertoy poka c mon une da c co a cra c er soi ma - Nov 06 2022

web papertoy poka c mon une da c co a cra c er soi ma proceedings of the society for psychical research jul 27 2022 list of
members in v 1 19 21 24 nature displayed in her mode of teaching language to man nov 06 2020 french speaking activites
ks2 feb 19 2022 wouldnt t you love your pupils to have meaningful conversations with each other

[papertoy poka c mon une da c co a cra c er soi ma pdf](#) - Feb 09 2023

web papertoy poka c mon une da c co a cra c er soi ma pdf as recognized adventure as capably as experience not quite lesson
amusement as capably as pact can be gotten by just checking out a books papertoy poka c mon une da c co a cra c er soi ma
pdf then it is not directly done you could take even more almost this life vis vis the world

[papertoy poka c mon une da c co a cra c er soi ma lori](#) - Jul 02 2022

web perspicacity of this papertoy poka c mon une da c co a cra c er soi ma can be taken as with ease as picked to act the
living universe duane elgin 2009 04 01 by the bestselling author of voluntary simplicity over 150 000 sold brings together
cutting edge science and ancient spiritual wisdom to demonstrate that the universe is a living

papertoy poka c mon une da c co a cra c er soi ma - Jun 13 2023

web papertoy poka c mon une da c co a cra c er soi ma downloaded from old talentsprint com by guest alexia kaiser a sea of love icon books ltd timeless painting presents the work of 17 contemporary painters whose works reflect a singular approach that is peculiarly of our time they are a temporal a term coined by william

[mergers acquisitions strategien abläufe und begri pdf uniport edu](#) - Apr 29 2022

web 4 mergers acquisitions strategien abläufe und begri 2022 02 17 post merger integration den gewünschten erfolg erbringt inhalte integrierte m a prozesse

mergers acquisitions strategien abläufe und begriffe im - Jun 12 2023

web mergers acquisitions strategien abläufe und begriffe im unternehmenskauf essentials engelhardt clemens isbn 9783658170653 kostenloser versand für

mergers acquisitions strategien abläufe und begriffe im - Nov 05 2022

web mergers and acquisitions unternehmensakquisitionen und mergers amp acquisitions strategien abläufe und begriffe m amp a das phasenmodell einer m amp a business

mergers acquisitions strategien abläufe und begri david owen - Dec 26 2021

web the mergers acquisitions strategien abläufe und begri it is totally easy then previously currently we extend the join to purchase and make bargains to download and install

[mergers acquisitions strategien abläufe und begriffe im](#) - Oct 24 2021

web book mergers acquisitions strategien abläufe und begriffe im unternehmenskauf essentials by clemens engelhardt moreover it is not instantly done you could believe

mergers acquisitions strategien abläufe und begriffe im - Sep 22 2021

mergers acquisitions management strategie und - May 11 2023

web ein umfassender und fundierter Überblick über das management von mergers acquisitions wobei auch die post merger integration ausführlich behandelt wird ein

mergersacquisitionsstrategienabläufeundbegri pdf - Jan 27 2022

web mar 22 2023 4724485 mergers acquisitions strategien abläufe und begri 1 16 downloaded from id blockchain idea gov vn on by guest mergers acquisitions

[mergers acquisitions strategien abläufe und begri](#) - Mar 29 2022

web may 2 2023 mergers acquisitions strategien abläufe und begri 2 13 downloaded from uniport edu ng on may 2 2023 by guest offensive and defensive techniques used during

[mergers acquisitions strategien abläufe und begriffe im](#) - Dec 06 2022

web mergers amp acquisitions strategien abläufe und begriffe mergers amp acquisitions von clemens engelhardt fachbuch mergers test 2020 die top 7 im vergleich mergers

mergers acquisitions strategien abläufe und begri - Nov 24 2021

web mergers amp acquisitions strategien abläufe und begriffe personalarbeit bei mergers amp acquisitions mergers amp acquisitions das geschäft mit fusionen und das

mergers acquisitions strategien abläufe und begriffe im - Jul 01 2022

web this mergers acquisitions strategien abläufe und begriffe im unternehmenskauf essentials by clemens engelhardt as one of the predominant functioning sellers here

mergers acquisitions tipps strategien für - Mar 09 2023

web m a prozesse sind an und verkäufe von unternehmen die in nahezu jeder branche üblich sind auch die intelligentis bietet als ihr m a experte ein breites branchen

mergers acquisitions im mittelstand unternehmen und - Jan 07 2023

web mergers amp acquisitions strategien abläufe und begriffe im unternehmenskauf essentials mergers and acquisitions from a z mergers amp acquisitions

mergers acquisitions strategien abläufe und begriffe - Apr 10 2023

web apr 23 2021 acquisition a heißt erwerb der begriff m a bezeichnet eine Übernahme oder verschmelzung von zwei unternehmen oder teilen von unternehmen

mergers acquisitions strategien abläufe und begriffe im - Sep 03 2022

web jun 10 2023 mergers acquisitions strategien abläufe und begriffe im unternehmenskauf essentials by clemens engelhardt mergers acquisitions

mergers acquisitions strategien abläufe und begriffe im - Jul 13 2023

web neben der darstellung der einzelnen prozessschritte und praktischen herausforderungen von der due diligence bis hin zu signing und closing erläutert der autor auch die

mergers acquisitions strategien abläufe und begriffe im - Aug 02 2022

web mergers amp acquisitions strategien abläufe und begriffe m amp a das phasenmodell einer m amp a business wissen de mergers amp acquisitions von clemens engelhardt

mergers acquisitions strategien ablaufe und begri pdf - Feb 25 2022

web mergersacquisitionsstrategienablaufeundbegri 1 1 downloaded from rapport bicworld com on by guest mergersacquisitionsstrategienablaufeundbe gri

mergers acquisitions strategien abläufe und begriffe im - May 31 2022

web aug 2 2023 mergers acquisitions strategien ablaufe und begri 1 1 downloaded from uniport edu ng on august 2 2023 by guest mergers acquisitions strategien ablaufe

mergers acquisitions prozesse einfach erklärt - Feb 08 2023

web mergers acquisitions im mittelstand unternehmen und beteiligungen gezielt kaufen und verkaufen planung strategie durchführung integration springerlink book

mergers acquisitions strategien abläufe und begriffe im - Oct 04 2022

web mergers acquisitions strategien abläufe und begriffe im unternehmenskauf essentials by clemens engelhardt verkäufersicht neben der darstellung der einzelnen

mergers acquisitions strategien abläufe und begriffe - Aug 14 2023

web erläutert grundbegriffe und typische abläufe im unternehmenskauf mit praktischen hinweisen für das projektmanagement enthält eine kommentierung der üblichen