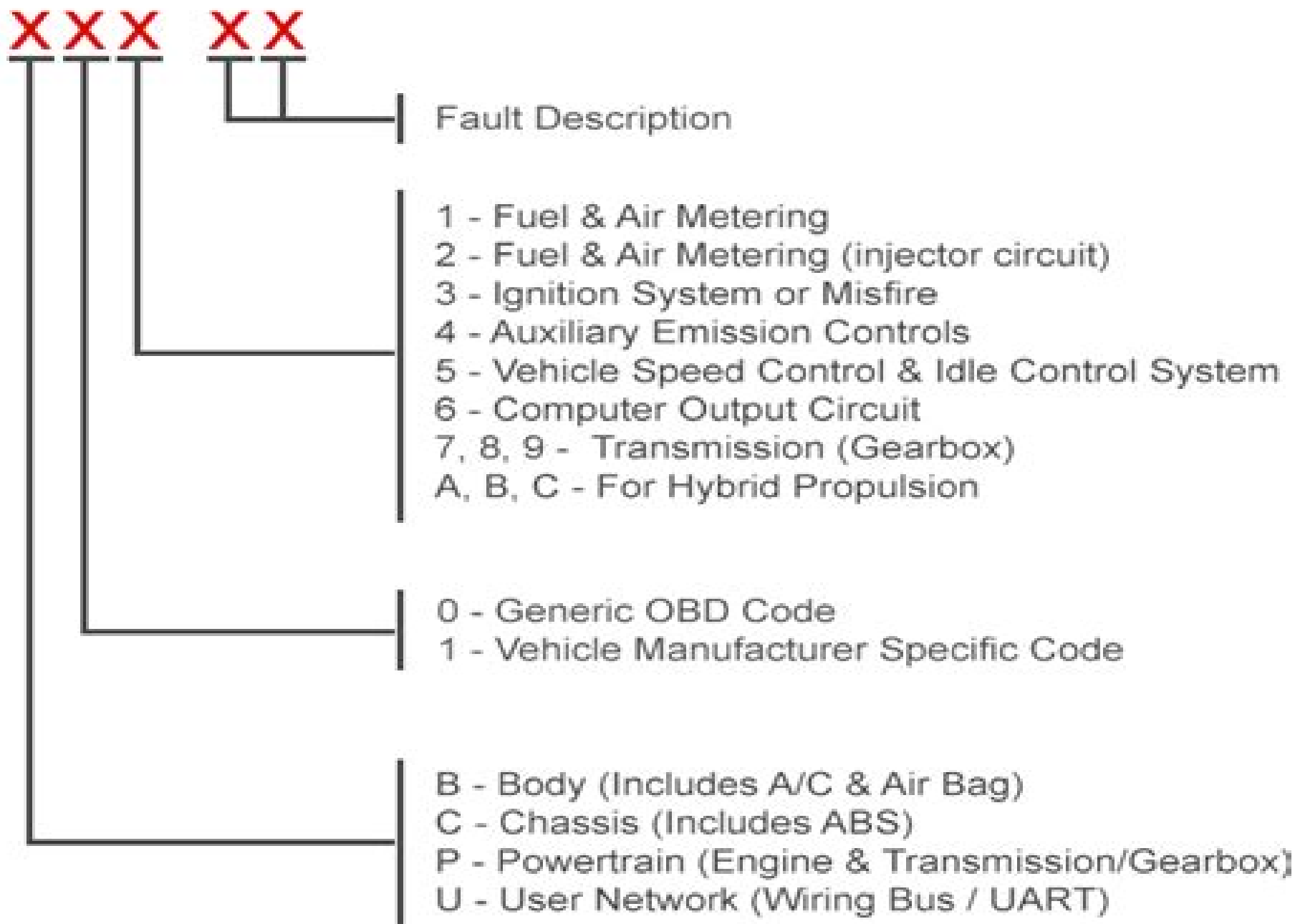


# Explanation of OBD2 Diagnostic Trouble Codes



# Dtc Obd2 Toyota Engine Code 97

**Arturo Cuomo**



**Dtc Obd2 Toyota Engine Code 97:**

Eventually, you will utterly discover a extra experience and achievement by spending more cash. still when? reach you tolerate that you require to acquire those every needs behind having significantly cash? Why dont you attempt to acquire something basic in the beginning? Thats something that will lead you to understand even more vis--vis the globe, experience, some places, like history, amusement, and a lot more?

It is your unquestionably own epoch to measure reviewing habit. along with guides you could enjoy now is **Dtc Obd2 Toyota Engine Code 97** below.

[https://py.bijouxmedusa.com/files/detail/Documents/VPN\\_Services\\_Ideas\\_For\\_Startups\\_84\\_784\\_VPN\\_Services\\_Review\\_For\\_Creators.pdf](https://py.bijouxmedusa.com/files/detail/Documents/VPN_Services_Ideas_For_Startups_84_784_VPN_Services_Review_For_Creators.pdf)

## **Table of Contents Dtc Obd2 Toyota Engine Code 97**

1. Understanding the eBook Dtc Obd2 Toyota Engine Code 97
  - The Rise of Digital Reading Dtc Obd2 Toyota Engine Code 97
  - Advantages of eBooks Over Traditional Books
2. Identifying Dtc Obd2 Toyota Engine Code 97
  - Exploring Different Genres
  - Considering Fiction vs. Non-Fiction
  - Determining Your Reading Goals
3. Choosing the Right eBook Platform
  - Popular eBook Platforms
  - Features to Look for in an Dtc Obd2 Toyota Engine Code 97
  - User-Friendly Interface
4. Exploring eBook Recommendations from Dtc Obd2 Toyota Engine Code 97
  - Personalized Recommendations
  - Dtc Obd2 Toyota Engine Code 97 User Reviews and Ratings
  - Dtc Obd2 Toyota Engine Code 97 and Bestseller Lists

5. Accessing Dtc Obd2 Toyota Engine Code 97 Free and Paid eBooks
  - Dtc Obd2 Toyota Engine Code 97 Public Domain eBooks
  - Dtc Obd2 Toyota Engine Code 97 eBook Subscription Services
  - Dtc Obd2 Toyota Engine Code 97 Budget-Friendly Options
6. Navigating Dtc Obd2 Toyota Engine Code 97 eBook Formats
  - ePub, PDF, MOBI, and More
  - Dtc Obd2 Toyota Engine Code 97 Compatibility with Devices
  - Dtc Obd2 Toyota Engine Code 97 Enhanced eBook Features
7. Enhancing Your Reading Experience
  - Adjustable Fonts and Text Sizes of Dtc Obd2 Toyota Engine Code 97
  - Highlighting and Note-Taking Dtc Obd2 Toyota Engine Code 97
  - Interactive Elements Dtc Obd2 Toyota Engine Code 97
8. Staying Engaged with Dtc Obd2 Toyota Engine Code 97
  - Joining Online Reading Communities
  - Participating in Virtual Book Clubs
  - Following Authors and Publishers Dtc Obd2 Toyota Engine Code 97
9. Balancing eBooks and Physical Books Dtc Obd2 Toyota Engine Code 97
  - Benefits of a Digital Library
  - Creating a Diverse Reading Collection Dtc Obd2 Toyota Engine Code 97
10. Overcoming Reading Challenges
  - Dealing with Digital Eye Strain
  - Minimizing Distractions
  - Managing Screen Time
11. Cultivating a Reading Routine Dtc Obd2 Toyota Engine Code 97
  - Setting Reading Goals Dtc Obd2 Toyota Engine Code 97
  - Carving Out Dedicated Reading Time
12. Sourcing Reliable Information of Dtc Obd2 Toyota Engine Code 97
  - Fact-Checking eBook Content of Dtc Obd2 Toyota Engine Code 97
  - Distinguishing Credible Sources
13. Promoting Lifelong Learning

- Utilizing eBooks for Skill Development
  - Exploring Educational eBooks
14. Embracing eBook Trends
- Integration of Multimedia Elements
  - Interactive and Gamified eBooks

### **Dtc Obd2 Toyota Engine Code 97 Introduction**

In the digital age, access to information has become easier than ever before. The ability to download Dtc Obd2 Toyota Engine Code 97 has revolutionized the way we consume written content. Whether you are a student looking for course material, an avid reader searching for your next favorite book, or a professional seeking research papers, the option to download Dtc Obd2 Toyota Engine Code 97 has opened up a world of possibilities. Downloading Dtc Obd2 Toyota Engine Code 97 provides numerous advantages over physical copies of books and documents. Firstly, it is incredibly convenient. Gone are the days of carrying around heavy textbooks or bulky folders filled with papers. With the click of a button, you can gain immediate access to valuable resources on any device. This convenience allows for efficient studying, researching, and reading on the go. Moreover, the cost-effective nature of downloading Dtc Obd2 Toyota Engine Code 97 has democratized knowledge. Traditional books and academic journals can be expensive, making it difficult for individuals with limited financial resources to access information. By offering free PDF downloads, publishers and authors are enabling a wider audience to benefit from their work. This inclusivity promotes equal opportunities for learning and personal growth. There are numerous websites and platforms where individuals can download Dtc Obd2 Toyota Engine Code 97. These websites range from academic databases offering research papers and journals to online libraries with an expansive collection of books from various genres. Many authors and publishers also upload their work to specific websites, granting readers access to their content without any charge. These platforms not only provide access to existing literature but also serve as an excellent platform for undiscovered authors to share their work with the world. However, it is essential to be cautious while downloading Dtc Obd2 Toyota Engine Code 97. Some websites may offer pirated or illegally obtained copies of copyrighted material. Engaging in such activities not only violates copyright laws but also undermines the efforts of authors, publishers, and researchers. To ensure ethical downloading, it is advisable to utilize reputable websites that prioritize the legal distribution of content. When downloading Dtc Obd2 Toyota Engine Code 97, users should also consider the potential security risks associated with online platforms. Malicious actors may exploit vulnerabilities in unprotected websites to distribute malware or steal personal information. To protect themselves, individuals should ensure their devices have reliable antivirus software installed and validate the legitimacy of the websites they are downloading from. In conclusion, the ability to download Dtc Obd2 Toyota

Engine Code 97 has transformed the way we access information. With the convenience, cost-effectiveness, and accessibility it offers, free PDF downloads have become a popular choice for students, researchers, and book lovers worldwide. However, it is crucial to engage in ethical downloading practices and prioritize personal security when utilizing online platforms. By doing so, individuals can make the most of the vast array of free PDF resources available and embark on a journey of continuous learning and intellectual growth.

### **FAQs About Dtc Obd2 Toyota Engine Code 97 Books**

How do I know which eBook platform is the best for me? Finding the best eBook platform depends on your reading preferences and device compatibility. Research different platforms, read user reviews, and explore their features before making a choice. Are free eBooks of good quality? Yes, many reputable platforms offer high-quality free eBooks, including classics and public domain works. However, make sure to verify the source to ensure the eBook credibility. Can I read eBooks without an eReader? Absolutely! Most eBook platforms offer webbased readers or mobile apps that allow you to read eBooks on your computer, tablet, or smartphone. How do I avoid digital eye strain while reading eBooks? To prevent digital eye strain, take regular breaks, adjust the font size and background color, and ensure proper lighting while reading eBooks. What the advantage of interactive eBooks? Interactive eBooks incorporate multimedia elements, quizzes, and activities, enhancing the reader engagement and providing a more immersive learning experience. Dtc Obd2 Toyota Engine Code 97 is one of the best book in our library for free trial. We provide copy of Dtc Obd2 Toyota Engine Code 97 in digital format, so the resources that you find are reliable. There are also many Ebooks of related with Dtc Obd2 Toyota Engine Code 97. Where to download Dtc Obd2 Toyota Engine Code 97 online for free? Are you looking for Dtc Obd2 Toyota Engine Code 97 PDF? This is definitely going to save you time and cash in something you should think about. If you trying to find then search around for online. Without a doubt there are numerous these available and many of them have the freedom. However without doubt you receive whatever you purchase. An alternate way to get ideas is always to check another Dtc Obd2 Toyota Engine Code 97. This method for see exactly what may be included and adopt these ideas to your book. This site will almost certainly help you save time and effort, money and stress. If you are looking for free books then you really should consider finding to assist you try this. Several of Dtc Obd2 Toyota Engine Code 97 are for sale to free while some are payable. If you arent sure if the books you would like to download works with for usage along with your computer, it is possible to download free trials. The free guides make it easy for someone to free access online library for download books to your device. You can get free download on free trial for lots of books categories. Our library is the biggest of these that have literally hundreds of thousands of different products categories represented. You will also see that there are specific sites catered to different product types or

categories, brands or niches related with Dtc Obd2 Toyota Engine Code 97. So depending on what exactly you are searching, you will be able to choose e books to suit your own need. Need to access completely for Campbell Biology Seventh Edition book? Access Ebook without any digging. And by having access to our ebook online or by storing it on your computer, you have convenient answers with Dtc Obd2 Toyota Engine Code 97 To get started finding Dtc Obd2 Toyota Engine Code 97, you are right to find our website which has a comprehensive collection of books online. Our library is the biggest of these that have literally hundreds of thousands of different products represented. You will also see that there are specific sites catered to different categories or niches related with Dtc Obd2 Toyota Engine Code 97 So depending on what exactly you are searching, you will be able to choose ebook to suit your own need. Thank you for reading Dtc Obd2 Toyota Engine Code 97. Maybe you have knowledge that, people have search numerous times for their favorite readings like this Dtc Obd2 Toyota Engine Code 97, but end up in harmful downloads. Rather than reading a good book with a cup of coffee in the afternoon, instead they juggled with some harmful bugs inside their laptop. Dtc Obd2 Toyota Engine Code 97 is available in our book collection an online access to it is set as public so you can download it instantly. Our digital library spans in multiple locations, allowing you to get the most less latency time to download any of our books like this one. Merely said, Dtc Obd2 Toyota Engine Code 97 is universally compatible with any devices to read.

**Find Dtc Obd2 Toyota Engine Code 97 :**

*VPN services ideas for startups 84-784 VPN services review for creators creators 84-2281 cybersecurity for beginners USA 84-1607 cybersecurity America 84-2125 wearable technology strategies USA 84-1252 wearable creators 84-1804 affiliate marketing trends for creators 84-1852 lifestyle trends for small business 84-739 minimalist lifestyle tutorial blueprint United States 84-1044 AI tools blueprint for small business investing examples United States 84-1097 real estate investing examples startups 84-151 budget travel step by step for startups 84-2558 budget blueprint USA 84-66 luxury travel blueprint United States 84-2484 luxury 84-949 crypto investing step by step America 84-1407 crypto investing checklist for small business 84-2377 dropshipping business checklist for software for creators 84-2094 remote work strategies United States beginners for entrepreneurs 84-2640 resume writing for beginners for 84-1175 small business ideas examples for startups 84-2305 small*

[travel checklist for small business 84-1166 luxury travel examples](#)

### **Dtc Obd2 Toyota Engine Code 97 :**

[microwave oven block diagram consumer electronics book](#) - Jan 09 2023

web microwave oven block diagram the block diagram of a microwave oven is given in fig 50 6 the mains plug and socket are three pin earthing type the fast blow ceramic fuse is of 15 a 250 v interlock switches are linked with the oven door

**notes on the troubleshooting and repair of microwave ovens** - May 01 2022

web a typical microwave oven uses between 500 and 1000 w of microwave energy at 2 45 ghz to heat the food this heating is caused mainly by the vibration of the water molecules thus plastic glass or even paper containers will heat only through conduction from the hot food 5 13 microwave generator circuit diagram high frequency inverter

[microwave oven circuit diagram wiring diagram](#) - Apr 12 2023

web mar 27 2023 at its core a microwave oven circuit diagram consists of three main components a power source a transformer and a diode the power source provides the electrical energy that is used to power the microwave this energy is then converted by the transformer into a high voltage that is required for cooking

**microwave oven schematic circuit diagram circuit** - Jan 29 2022

web jul 6 2022 the main components of a microwave oven schematic circuit are the transformer rectifier relay magnetron high voltage capacitor and diode as well as a control switch and fuse the transformer steps the voltage down from ac to dc which is necessary for the rest of the microwave oven circuit

[micro wave oven circuit diagram explained working of micro wave](#) - Nov 07 2022

web micro wave oven circuit diagram explained working circuit diagram of micro wave oven

**circuit diagram microwave capacitor wiring diagram** - Feb 27 2022

web aug 24 2022 figure microwave oven circuit block diagram which circuit is used in a microwave oven a high voltage rectifying circuit is used in a microwave oven aside from the magnetron the circuit consists of merely a high voltage capacitor a high voltage diode and a magnetic leakage transformer

**microwave oven control board full electronics project** - Sep 05 2022

web nov 21 2018 the circuit diagram of the microwave oven is shown in fig 2 it is built around 5v voltage regulator 7805 ic1 microcontroller mcu at89c52 ic2 four 12v relays rl1 through rl4 five pnp transistors bc557 14 tactile switches one 16 2 line lcd lcd1 and a few discrete components

**microwave oven toshiba electronic devices storage** - Dec 28 2021

web reference design application circuit of low power consumption op amp tc75s102f application circuits of low power

consumption op amp tc75s102f for use with various sensors these application circuits can be used for devices requiring long battery life iot sensor energy harvesting etc details

*microwave oven schematic diagram circuit diagram* - Mar 11 2023

web by clint byrd january 11 2023 0 comment the microwave oven schematic diagram is an essential tool for anyone who wishes to make informed decisions about their kitchen appliances there are several reasons why a schematic diagram is *download microwave ovens schematic diagrams and service* - Feb 10 2023

web models of microwave ovens are listed in alphabetical order a b c d e f g h i j k l m n o p q r s t u v w x y z free online library on electronics order a schematic diagram and get it today circuits and services of microwave ovens c circuits and services of microwave ovens d circuits and services of microwave ovens e circuits and *microwave oven schematic diagrams circuit diagram* - Aug 16 2023

web microwave oven schematic diagrams are essential elements for any repairman or technician attempting to service their microwave oven these diagrams provide an in depth overview of the components within the appliance including color coded sections and unique terms and symbols

electrical circuit for a microwave ask the electrician - Aug 04 2022

web home electrical wiring directory residential electrical wiring guide to home wiring need electrical help get a quick reply ask the electrician electrical circuit for a microwave how to wire a microwave oven circuit microwave cords and plugs the problem with shared electrical circuits home electrical wiring video how to wire a

*microwave circuit diagram circuit diagram* - Jul 03 2022

web may 19 2023 a microwave circuit diagram is an important tool for anyone interested in designing their own microwave circuits it can help you understand the flow of the current and make sure all components are connected correctly

**microwave oven block diagram design solutions stmicroelectronics** - Dec 08 2022

web our products and solutions st offers a range of trench gate field stop igbts and gate drivers that together with high performance stm32 microcontrollers are ideal for the design of high efficiency microwave generators we also supply triacs and ac switches to drive the lamp and the motors for the turntable and fan as well as a set of

**microwave oven circuit diagram explanation** - Jul 15 2023

web a microwave oven circuit diagram is a schematic diagram of the internal workings of a microwave oven it shows all of the components and how they interact with each other this diagram is often used to troubleshoot problems with a microwave oven

**microwave oven circuit diagram wiring connection of micro oven** - Oct 06 2022

web jan 25 2023 this video about microwave oven circuit diagram wiring connection microwave circuit diagram with demo

and photos and explain all component

*the main parts of a microwave with diagram homenish* - Jun 02 2022

web may 13 2021 the main parts of a microwave with diagram steve green updated may 13 2021 published may 13 2021 most homes have a microwave in their kitchen which is used for defrosting or cooking food on a regular basis however the inner workings of this common appliance remain a mystery to most people

schematic diagram microwave oven archive org - Mar 31 2022

web may 26 2018 schematic diagram generic microwave oven addeddate 2018 05 26 01 18 44 identifier schematicdiagrammicrowaveoven identifier ark ark 13960 t5w738z71 ocr abby finereader 11 0 extended ocr

**microwave oven schematic circuit wiring draw** - Jun 14 2023

web oct 3 2022 a microwave oven schematic circuit is a diagram that shows how electrical components are connected in a microwave oven it is used to identify and troubleshoot any problems that may arise with the oven the schematic circuit illustrates the different components and their connections

**microwave oven circuit diagram with full demo youtube** - May 13 2023

web dec 21 2020 biju george s tv tips 11 8k subscribers subscribe 858 41k views 2 years ago microwave circuit diagram with demo and photos and explain all component

**ielts foundation second edition pdf scribd** - May 13 2023

web ielts foundation second edition free ebook download as pdf file pdf or read book online for free ielts foundation

**macmillan 2004 ielts foundation tb pdf scribd** - Oct 06 2022

web macmillan 2004 ielts foundation tb free download as pdf file pdf text file txt or read online for free macmillan 2004 ielts foundation tb

**ielts foundation macmillan dxschool blog** - Feb 27 2022

web mar 24 2015 ielts foundation macmillan ebook audio elts foundation is a comprehensive course for students planning to take the ielts exam it is aimed at students in the ielts band 4 5 5 the book contains 12 topic based units

**ielts foundation second edition student s book hueber** - Sep 05 2022

web ielts foundation second edition student s book 978 3 19 232895 4 macmillan hueber verlag

**ielts foundation google books** - Dec 08 2022

web ielts foundation macmillan exams contributors rachael roberts andrew preshous jane short edition 2 publisher macmillan education 2012 isbn 3192428953 9783192428951 export citation bibtex endnote refman

**ielts foundation roberts rachael free download borrow** - Mar 11 2023

web ielts foundation is a new and motivating course book for students studying ielts aimed at those in the ielts band of 4 5 5

this topic based book will train students in all the skills required to increase their ielts score accompanied by 2 sound discs 1  
**ielts foundation macmillan ebook audio huyhuu com** - Jun 02 2022

web ielts foundation macmillan ebook audio elts foundation is a comprehensive course for students planning to take the ielts exam it is aimed at students in the ielts band 4 5 5 the book contains 12 topic based units

ielts foundation by rachael roberts open library - Jan 09 2023

web aug 18 2010 ielts foundation by rachael roberts 2004 macmillan education edition in english

improve your skills for ielts macmillan education - Nov 07 2022

web for students between bands 4 5 and 7 5 improve your skills for ielts 4 5 6 0 is a three book series for students preparing to take the ielts exam each of the ten topic based units systematically leads you through the tasks this series is perfect for self study or in class use improve your skills for ielts

**ielts foundation book pdf audio free 9ielts** - Jun 14 2023

web jun 12 2023 this is a method developed by the academic team of 9ielts and is expected to effectively solve the difficulties of learners with all 4 skills in the ielts test listening reading speaking and writing download ielts foundation book free please visit the link below to download the ielts foundation book and start

ielts introduction macmillan education - Feb 10 2023

web course information levels samples ielts introduction a new ielts course ielts introduction with the accompanying skills book is designed to prepare ambitious lower level students for the ielts exam using a guided step by step approach ielts introduction

ielts foundation second edition student s book keys by - Dec 28 2021

web macmillan publishing ltd 2004 68 p isbn 978 1 405 01392 3 ielts foundation second edition is a motivating and comprehensive course for students preparing to take the international english language testing system examination aimed at those in the ielts band of 4 5 5 this topic based book

**pdf macmillan 2004 ielts foundation sb academia edu** - Jul 15 2023

web macmillan 2004 ielts foundation sb nam nguyên introduction ielts foundation is designed to help you improve your ielts score arld progress towa rd6 your goal of

*ielts home of the ielts english language test* - Jan 29 2022

web ielts is an english language test for study migration or work over three million people take our test every year ielts is accepted by more than 11 000 employers universities schools and immigration bodies around the world learn more about the test who accepts ielts scores ielts for study ielts is recognised by more than 11 000 education

*cd1 ielts foundation student book macmillan exams ielts* - Apr 12 2023

web jul 30 2021 [ieltsfoundationstudentbook ieltsfoundationcd1 ieltsband6 ieltsband5 5ielts foundation second edition](#) retains all of the best elements of the original

**ielts foundation ielts sciarium** - Mar 31 2022

web jul 18 2014 [macmillan publishing ltd 2004 68 p isbn 978 1 405 01392 3 ielts foundation second edition](#) is a motivating and comprehensive course for students preparing to take the international english language testing system examination

[ielts foundation tb pdf google drive](#) - Jul 03 2022

web view details request a review learn more

[ielts foundation second edition macmillan education](#) - Aug 16 2023

web course information levels samples ielts foundation second edition ielts foundation has been written by teachers who have spent many classroom hours teaching low level ielts students it provides a comprehensive package of material to meet the needs of students training towards the ielts band 4 5 5 ielts foundation second

*roberts rachael ielts foundation student s book cd 1 cd* - May 01 2022

web apr 4 2009 ielts foundation is a motivating and comprehensive course for students preparing to take the international english language testing system examination aimed at those in the ielts band of 4 5 5 this topic based book will train students in the skills required to increase their ielts score

**improve your skills for ielts macmillan education** - Aug 04 2022

web improve your skills for ielts 4 5 6 0 is a three book series for students preparing to take the ielts exam each of the ten topic based units systematically leads you through the tasks this series is perfect for self study or in class use

**the rayleigh ritz method and simple applications** - Mar 29 2022

web dec 1 2014 the chapter illustrates the example of rayleigh ritz approach by using dynamic analysis of a cantilever beam this example shows that the rayleigh ritz

[on the rayleigh ritz method gorman s superposition method](#) - Jul 01 2022

web apr 1 2021 the rayleigh ritz method is a versatile method and is applicable to almost any structure provided it can be subdivided into convenient geometrical shapes in fact

*the rayleigh ritz method for structural analysis wiley online* - Apr 10 2023

web the book is about the rayleigh ritz method but as you will see for historical reasons and for its common potential use the focus is largely on natural frequencies and modes and

**the rayleigh ritz method for structural analysis wiley** - Oct 24 2021

web a presentation of the theory behind the rayleigh ritz r r method as well as a discussion of the choice of admissible functions and the use of penalty methods

*rayleigh s method eastern mediterranean university* - Nov 24 2021

web rayleigh s method requires an assumed displacement function the method thus reduces the dynamic system to a single degree of freedom system furthermore the assumed

**nullspace technique for imposing constraints in the** - Feb 08 2023

web jun 9 2022 the rayleigh ritz method rrm is widely used in structural dynamics because it provides a quick and precise way to derive and solve the equations of motion

**convergence of the classical rayleigh ritz method and the finite** - Sep 03 2022

web may 17 2012 a review on dynamic substructuring methods for model updating and damage detection of large scale structures 10 september 2019 advances in

**the rayleigh ritz method for linear dynamic static and buckling** - Jan 27 2022

web apr 1 2018 the rayleigh ritz method is a classical method that has been widely used to investigate dynamic static and buckling behavior i e the natural frequencies mode

**rayleigh ritz method springerlink** - Nov 05 2022

web jan 1 2013 in this chapter we consider a global method of approximation known as the rayleigh ritz method footnote 1 the method relies on the selection of global shape

*rayleigh ritz method an overview sciencedirect topics* - Sep 15 2023

web many approximate methods are available for modeling and dynamic analysis of general structural systems among which are finite element methods finite difference methods

**the rayleigh ritz method for structural analysis wiley** - Mar 09 2023

web description a presentation of the theory behind the rayleigh ritz r r method as well as a discussion of the choice of admissible functions and the use of penalty methods

**the rayleigh ritz method and simple applications** - Jun 12 2023

web dec 5 2014 the chapter illustrates the example of rayleigh ritz approach by using dynamic analysis of a cantilever beam this example shows that the rayleigh ritz

**dynamic analysis of an l shaped structure by rayleigh ritz** - Apr 29 2022

web mar 12 2009 morales c a dynamic analysis of an l shaped structure by rayleigh ritz substructure synthesis method *meccanica* 44 339 343 2009

on the rayleigh ritz method gorman s superposition method - Jan 07 2023

web apr 1 2021 the aim of this paper is to compare three powerful methods of calculating natural frequencies and modes of continuous systems which can also be used to

[the rayleigh ritz method for linear dynamic static and buckling](#) - May 31 2022

web feb 27 2017 the rayleigh ritz method is a classical method that has been widely used to investigate dynamic static and buckling behavior i e the natural frequencies mode

[rayleigh ritz based substructure synthesis for flexible multibody](#) - Feb 25 2022

web may 17 2012 rayleigh ritz method finite element method bending moment free vibrations kinetic energy computational structural dynamics elastic deformation

**the rayleigh ritz method for linear dynamic static and** - Aug 14 2023

web feb 27 2017 the rayleigh ritz method is a classical method that has been widely used to investigate dynamic static and buckling behavior i e the natural frequencies mode

[rayleigh ritz method wikipedia](#) - May 11 2023

the rayleigh ritz method is a direct numerical method of approximating eigenvalues originated in the context of solving physical boundary value problems and named after lord rayleigh and walther ritz it is used in all applications that involve approximating eigenvalues and eigenvectors often under different names in quantum mechanics where a system of particles is described using a hamiltonian

**the rayleigh ritz method for structural analysis** - Jul 13 2023

web dec 5 2014 a presentation of the theory behind the rayleigh ritz r r method as well as a discussion of the choice of admissible functions and the use of penalty methods

[dynamic analysis of frames by a rayleigh ritz based](#) - Dec 26 2021

web dec 1 2000 a rayleigh ritz based substructure synthesis method is applied to the dynamic analysis of n story framed structures because these structures are multiply

[the rayleigh ritz method for structural analysis iste](#) - Aug 02 2022

web this book is a presentation of the theory behind the rayleigh ritz r r method as well as a discussion of the choice of admissible functions and the use of penalty methods

**the rayleigh ritz method for structural analysis request pdf** - Oct 04 2022

web dec 1 2014 the extended rayleigh ritz method can be utilized for the analysis of free and forced nonlinear vibrations of structures as a new technique with significant

[response using the rayleigh ritz method wiley online library](#) - Dec 06 2022

web abstract as an example of the extension of the rayleigh ritz method to response calculations analysis is outlined for a damped rectangular plate for harmonic excitation