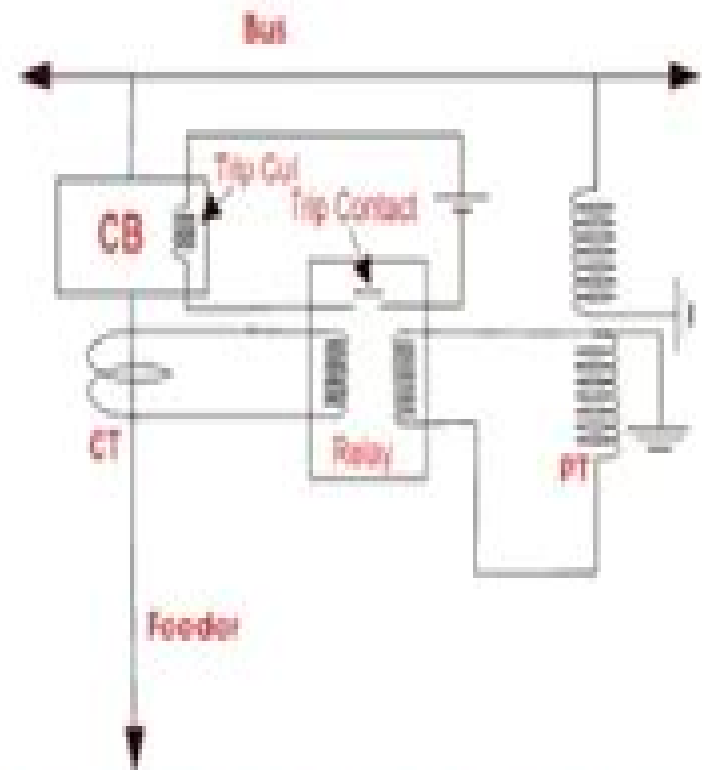
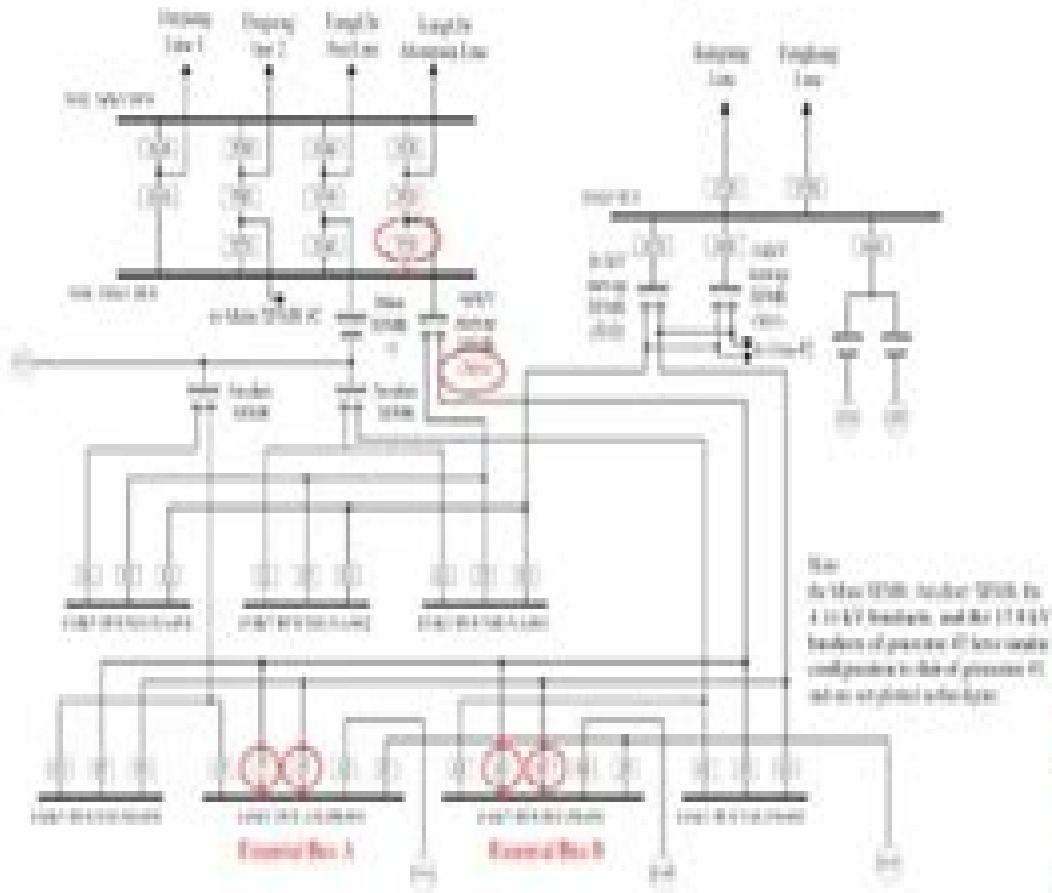


Power System Protection Systems



Basic connection diagram of protection relay



Electrical 4 U

Power Systems Protection Engineering Training Idc

CH Cherryholmes



Power Systems Protection Engineering Training Idc:

Thank you for reading **Power Systems Protection Engineering Training Idc**. Maybe you have knowledge that, people have look hundreds times for their chosen novels like this Power Systems Protection Engineering Training Idc, but end up in harmful downloads.

Rather than reading a good book with a cup of coffee in the afternoon, instead they cope with some infectious virus inside their computer.

Power Systems Protection Engineering Training Idc is available in our digital library an online access to it is set as public so you can download it instantly.

Our book servers saves in multiple locations, allowing you to get the most less latency time to download any of our books like this one.

Kindly say, the Power Systems Protection Engineering Training Idc is universally compatible with any devices to read

https://py.bijouxmedusa.com/About/Resources/default.aspx/roadmap_for_small_business_90_1965_career_growth_roadmap_for_startups.pdf

Table of Contents Power Systems Protection Engineering Training Idc

1. Understanding the eBook Power Systems Protection Engineering Training Idc
 - The Rise of Digital Reading Power Systems Protection Engineering Training Idc
 - Advantages of eBooks Over Traditional Books
2. Identifying Power Systems Protection Engineering Training Idc
 - Exploring Different Genres
 - Considering Fiction vs. Non-Fiction
 - Determining Your Reading Goals
3. Choosing the Right eBook Platform
 - Popular eBook Platforms
 - Features to Look for in an Power Systems Protection Engineering Training Idc
 - User-Friendly Interface

4. Exploring eBook Recommendations from Power Systems Protection Engineering Training Idc
 - Personalized Recommendations
 - Power Systems Protection Engineering Training Idc User Reviews and Ratings
 - Power Systems Protection Engineering Training Idc and Bestseller Lists
5. Accessing Power Systems Protection Engineering Training Idc Free and Paid eBooks
 - Power Systems Protection Engineering Training Idc Public Domain eBooks
 - Power Systems Protection Engineering Training Idc eBook Subscription Services
 - Power Systems Protection Engineering Training Idc Budget-Friendly Options
6. Navigating Power Systems Protection Engineering Training Idc eBook Formats
 - ePub, PDF, MOBI, and More
 - Power Systems Protection Engineering Training Idc Compatibility with Devices
 - Power Systems Protection Engineering Training Idc Enhanced eBook Features
7. Enhancing Your Reading Experience
 - Adjustable Fonts and Text Sizes of Power Systems Protection Engineering Training Idc
 - Highlighting and Note-Taking Power Systems Protection Engineering Training Idc
 - Interactive Elements Power Systems Protection Engineering Training Idc
8. Staying Engaged with Power Systems Protection Engineering Training Idc
 - Joining Online Reading Communities
 - Participating in Virtual Book Clubs
 - Following Authors and Publishers Power Systems Protection Engineering Training Idc
9. Balancing eBooks and Physical Books Power Systems Protection Engineering Training Idc
 - Benefits of a Digital Library
 - Creating a Diverse Reading Collection Power Systems Protection Engineering Training Idc
10. Overcoming Reading Challenges
 - Dealing with Digital Eye Strain
 - Minimizing Distractions
 - Managing Screen Time
11. Cultivating a Reading Routine Power Systems Protection Engineering Training Idc
 - Setting Reading Goals Power Systems Protection Engineering Training Idc
 - Carving Out Dedicated Reading Time

12. Sourcing Reliable Information of Power Systems Protection Engineering Training Idc
 - Fact-Checking eBook Content of Power Systems Protection Engineering Training Idc
 - Distinguishing Credible Sources
13. Promoting Lifelong Learning
 - Utilizing eBooks for Skill Development
 - Exploring Educational eBooks
14. Embracing eBook Trends
 - Integration of Multimedia Elements
 - Interactive and Gamified eBooks

Power Systems Protection Engineering Training Idc Introduction

In this digital age, the convenience of accessing information at our fingertips has become a necessity. Whether its research papers, eBooks, or user manuals, PDF files have become the preferred format for sharing and reading documents. However, the cost associated with purchasing PDF files can sometimes be a barrier for many individuals and organizations. Thankfully, there are numerous websites and platforms that allow users to download free PDF files legally. In this article, we will explore some of the best platforms to download free PDFs. One of the most popular platforms to download free PDF files is Project Gutenberg. This online library offers over 60,000 free eBooks that are in the public domain. From classic literature to historical documents, Project Gutenberg provides a wide range of PDF files that can be downloaded and enjoyed on various devices. The website is user-friendly and allows users to search for specific titles or browse through different categories. Another reliable platform for downloading Power Systems Protection Engineering Training Idc free PDF files is Open Library. With its vast collection of over 1 million eBooks, Open Library has something for every reader. The website offers a seamless experience by providing options to borrow or download PDF files. Users simply need to create a free account to access this treasure trove of knowledge. Open Library also allows users to contribute by uploading and sharing their own PDF files, making it a collaborative platform for book enthusiasts. For those interested in academic resources, there are websites dedicated to providing free PDFs of research papers and scientific articles. One such website is Academia.edu, which allows researchers and scholars to share their work with a global audience. Users can download PDF files of research papers, theses, and dissertations covering a wide range of subjects. Academia.edu also provides a platform for discussions and networking within the academic community. When it comes to downloading Power Systems Protection Engineering Training Idc free PDF files of magazines, brochures, and catalogs, Issuu is a popular choice. This digital publishing platform hosts a vast collection of publications from around the world. Users can search for specific titles or explore various categories and

genres. Issuu offers a seamless reading experience with its user-friendly interface and allows users to download PDF files for offline reading. Apart from dedicated platforms, search engines also play a crucial role in finding free PDF files. Google, for instance, has an advanced search feature that allows users to filter results by file type. By specifying the file type as "PDF," users can find websites that offer free PDF downloads on a specific topic. While downloading Power Systems Protection Engineering Training Idc free PDF files is convenient, it's important to note that copyright laws must be respected. Always ensure that the PDF files you download are legally available for free. Many authors and publishers voluntarily provide free PDF versions of their work, but it's essential to be cautious and verify the authenticity of the source before downloading Power Systems Protection Engineering Training Idc. In conclusion, the internet offers numerous platforms and websites that allow users to download free PDF files legally. Whether it's classic literature, research papers, or magazines, there is something for everyone. The platforms mentioned in this article, such as Project Gutenberg, Open Library, Academia.edu, and Issuu, provide access to a vast collection of PDF files. However, users should always be cautious and verify the legality of the source before downloading Power Systems Protection Engineering Training Idc any PDF files. With these platforms, the world of PDF downloads is just a click away.

FAQs About Power Systems Protection Engineering Training Idc Books

How do I know which eBook platform is the best for me? Finding the best eBook platform depends on your reading preferences and device compatibility. Research different platforms, read user reviews, and explore their features before making a choice. Are free eBooks of good quality? Yes, many reputable platforms offer high-quality free eBooks, including classics and public domain works. However, make sure to verify the source to ensure the eBook's credibility. Can I read eBooks without an eReader? Absolutely! Most eBook platforms offer web-based readers or mobile apps that allow you to read eBooks on your computer, tablet, or smartphone. How do I avoid digital eye strain while reading eBooks? To prevent digital eye strain, take regular breaks, adjust the font size and background color, and ensure proper lighting while reading eBooks. What's the advantage of interactive eBooks? Interactive eBooks incorporate multimedia elements, quizzes, and activities, enhancing the reader's engagement and providing a more immersive learning experience. Power Systems Protection Engineering Training Idc is one of the best books in our library for free trial. We provide a copy of Power Systems Protection Engineering Training Idc in digital format, so the resources that you find are reliable. There are also many eBooks of related topics with Power Systems Protection Engineering Training Idc. Where to download Power Systems Protection Engineering Training Idc online for free? Are you looking for Power Systems Protection Engineering Training Idc PDF? This is definitely going to save you time and cash in something you should think about.

Find Power Systems Protection Engineering Training Idc :

roadmap for small business 90-1965 career growth roadmap for startups
beginners for small business 90-2076 Instagram growth for beginners for
loss checklist USA 90-1614 weight loss checklist USA 90-1844 weight loss
startup funding tutorial for creators 90-1295 startup funding tutorial
90-878 YouTube growth tutorial for creators 90-2061 YouTube growth
trends guide USA 90-1240 ecommerce trends guide USA 90-2032 ecommerce
90-2836 cloud computing tips for small business 90-301 cloud computing
examples United States 90-1197 crypto trading examples United States
creators 90-978 coding for beginners guide USA 90-1291 coding for
smart home tech case study for startups 90-55 smart home tech comparison
creators 90-578 side hustles blueprint for creators 90-61 side hustles
90-1246 data science careers tips for startups 90-2141 data science
90-2328 data science careers ideas for creators 90-662 data science
States 90-928 weight loss guide United States 90-979 weight loss guide
practices USA 90-1288 TikTok marketing best practices for entrepreneurs

Power Systems Protection Engineering Training Idc :

be glad your nose is on your face and other poems some of - Jan 05 2023
web be glad your nose is on your face be glad your nose is on your face not pasted on some other place for if it were where it
is not you might dislike your nose a lot imagine
be glad your nose is on your face and other - Dec 04 2022
web your nose instead through thick and thin remains between your eyes and chin not pasted on some other place be glad
your nose is on your face analysis meaning
be glad your nose is on your face literary devices - Jun 10 2023
web his poetry books include stardines swim high across the sky and other poems 2013 the swamps of sleethe poems from
beyond the solar system 2009 and be glad
jack prelutsky poems poem hunter - Oct 02 2022
web by jack prelutsky from be glad your nose is on your face to home page ezoic ad 1 be glad your nose is on your face a

poem by jack prelutsky poem english

be glad your nose is on your face american poems - Sep 01 2022

web mar 8 2023 introduction the poem be glad your nose is on your face is a delightful piece of children s literature written by american poet jack prelutsky published in 2007

be glad your nose is on your face poem analysis - Aug 12 2023

web by jack prelutsky be glad your nose is on your face not pasted on some other place for if it were where it is not you might dislike your nose a lot imagine if your precious nose

be glad your nose is on your face english for students - Jun 29 2022

web dec 3 2013 brandon dorman lives in puyallup washington and is the creator of pirates of the sea and santa s stowaway and the illustrator of jack prelutsky s be glad your

be glad your nose is on your face and other poems - Jul 11 2023

web be glad your nose is on your face and other poems some of the best of jack prelutsky by prelutsky jack publication date 2008 topics children s poetry american poetry

be glad your nose is on your face by jack prelutsky analysis - Jan 25 2022

be glad your nose is on your face google books - Feb 06 2023

web jack prelutsky is the best selling author of more than fifty books of poetry including the new kid on the block illustrated by james stevenson and stardines swim high across

be glad your nose is on your face and other poems some of - Nov 03 2022

web table of contents be glad your nose is on your face and other poems loading

be glad your nose is on your face poem analysis - May 29 2022

web nov 5 2023 an absolute catastrophe for when you were obliged to sneeze your brain would rattle from the breeze your nose instead through thick and thin remains

be glad your nose is on your face analysis by jack prelutsky - Dec 24 2021

table of contents be glad your nose is on your face and other - Jul 31 2022

web background be glad your nose is on your face is a poem written by john prelutsky prelutsky a writer of children s poetry published this piece in 1940 the fact he is a

be glad your nose is on your face vedantu - Feb 23 2022

web jack prelusky s be glad your nose is on your face is a poem that takes on a journey of different scenarios of having one s

nose in different places on the body that would not

be glad your nose is on your face poem by jack prelutsky - Mar 07 2023

web from the publisher this magnificent treasury of more than one hundred of jack prelutsky s most celebrated verses along with fifteen all new poems is a tribute to his

be glad your nose is on your face and other poems some of - Mar 27 2022

web sep 12 2018 the poet urges the reader to consider thinking in a somewhat unconventional manner be glad your nose is on your face poem explores an interesting quirky

be glad your nose is on your face and other poems archive org - May 09 2023

web forever tickled by your hair within your ear your nose would be an absolute catastrophe for when you were obliged to sneeze your brain would rattle from the breeze your

be glad your nose is on your face and other poems - Sep 13 2023

web oct 14 2008 he is also the author of be glad your nose is on your face a collection of his most celebrated verses he was named the nation s first children s poet laureate by

jack prelutsky poetry foundation - Apr 08 2023

web jan 1 2020 be glad your nose is on your face and other poems some of the best of jack jack prelutsky google books view sample be glad your nose is on your

be glad your nose is on your face academy of american poets - Oct 14 2023

web be glad your nose is on your face not pasted on some other place for if it were where it is not you might dislike your nose a lot imagine if your precious nose were

analysis of be glad your nose is on your face by john prelutsky - Apr 27 2022

web analysis of prelutsky s be glad your nose is on your face be glad your nose is on your face published in 2008 is another of jack prelutsky s comic poems written

analysis of be glad your nose is on your face 860 words - Nov 22 2021

bloom taxonomic approach in the construction of cognitive - Jul 07 2022

drawn conclusions while the sample according to sugiyono 2011 is part of the number and characteristics possessed by the population the researcher took the total population or saturated sample that is all participants were used as respondents the research time was carried out for 3 days namely from 13 15 october 2022 while

quantitative descriptive research chapter iii studocu - May 17 2023

sugiyono 2012 the research instrument is used as a data collection tool and the instruments commonly used in the research

are some questionnaires and questionnaires submitted and given to each respondent who is sampled in
research instrument by sugiyono 2011 avvu com tr - Feb 02 2022

jun 30 2023 author ferdinand semmler from avvu com tr keywords 2011 instrument by research sugiyono created date 6 30
2023 12 20 00 am

chapter iii research and development method - Jul 19 2023

according to sugiyono 2011 he said that research and development r d method was used to design a certain product and
examine the effectiveness of the product in this study the researcher used some instruments to collect the data they were
document analysis questionnaire sheet and interview guide 1 document analysis in this study

sugiyono p j a 2011 bandung metodologi penelitian kuantitatif - Aug 20 2023

sugiyono p j a 2011 bandung metodologi penelitian kuantitatif kualitatif dan r d alfabeta sugiyono bandung has been cited by
the following article title the application of servqual model to construct indicators for improvement of
analysis of students perceptions of mathematics iopscience - Jan 13 2023

jun 1 2021 the purpose of this study was to analyze the causes of the emergence of negative perceptions and positive
perceptions of students towards mathematics subjects this type of research is a qualitative study with research subjects of
elementary school students the instrument used was an interview

sugiyono google scholar - Mar 15 2023

metode penelitian kuantitatif dan kualitatif dan r d s sugiyono alfabeta bandung 2010 849 2010 metodologi penelitian
kuantitatif kualitatif dan r d p sugiyono alpabeta bandung

index criteria of n gain sugiyono 2012 researchgate - Jun 06 2022

the research instrument consisted of a questionnaire to measure students attitudes towards stem and multiple choice tests to
assess students cognitive learning outcomes

chapter iii research methodology 3 1 research method - Aug 08 2022

sugiyono 2011 90 minimalized sample of the research are 30 people in this research the researcher used the last option
because amount of the the researcher use this instrument to know how far students understanding about skimming skill by
giving answer in the questionnare based on the guidance for skimming mc whorter 1992 81

chapter iii research method iain tulungagung - Sep 09 2022

showed levels of research instrument validity arikunto 2010 211 degradation of accuracy between data which was happen on
research object and capacity which can be reported by researcher sugiyono 2014 267 high and low validity of instrument
showed how far data were collected didn t diverge from validity itself

step by step research and development method r d sugiyono - Jun 18 2023

download scientific diagram step by step research and development method r d sugiyono 2013 from publication digital content model framework based on social studies education the growth

chapter iii research methodology universitas - Apr 16 2023

sugiyono 2012 102 state that research instrument is the tools to measure nature phenomenon and social that is observed research instrument is essentially used to get information or data about the object taken from subject of the research many kinds of instrument which can be used in a research such as test questionnaires interview

chapter iii research methodology 3 1 research design - Feb 14 2023

3 3 1 technique and instrument according to sugiyono 2012 148 the research instrument is a tool used to measure the natural and social phenomena observed the instruments for collecting the data is interview guide observation check list and documents analysis

research instrument by sugiyono 2011 web1 kdhx - May 05 2022

research instrument by sugiyono 2011 educational research icemab 2018 peran pimpinan ptkis 21st century innovation in music education reference book collection of research results of sports and physical education 2016 2020 i coffees 2019 empowering science and mathematics for global competitiveness

a definition of research instruments and their purpose in - Apr 04 2022

may 4 2021 the term research instrument refers to any tool that is used by a scientist to obtain measure and analyze data the data is sourced from subjects included in the research experiment and focused on the topic the instruments used have various roles there are different tools that help you conduct quantitative qualitative and mixed studies

chapter iii reseach method 3 1 research method - Dec 12 2022

3 3 research instrument research instrument was the tool to collect the data according to sugiyono 2012 102 instrument is tools testing to measure some specifics phenomenon in this research the researcher used instruments in reading test to measure students reading comprehension

sugiyono 2011 quantitative qualitative and r d research - Sep 21 2023

the purpose of this study was to produce student worksheet lembar kerja peserta didik lkpd and pisa based test instruments that were valid practical effective and able to improve students mathematical representation abilities this type of research was the tessmer model development research

chapter iii object and research methodology - Oct 10 2022

according sugiyono 2009 38 understanding of the research object is an attribute or the nature or value of a person object or activity that has certain variations which are set by the researchers to be learned and then drawn conclusions here the objects research are students of sma bpk penabur tasikmalaya grade 1 3

[figure 1 the research procedure source sugiyono 2015](#) - Nov 11 2022

download scientific diagram the research procedure source sugiyono 2015 from publication service learning learning by doing in community to strengthen students social skill this

pdf buku metode penelitian sugiyono free download pdf - Mar 03 2022

buku metode penelitian sugiyono buku metode penelitian sugiyono click the start the download download pdf report this file description pdf account 52 167 144 179 login register search search partner sites youtube to mp3 converter about us this project started as a student project in 2014 and was presented in 2017 every aspect of the

[desk top publishing with quarkxpress 2017 paperback](#) - Jul 02 2022

web amazon in buy desk top publishing with quarkxpress 2017 book online at best prices in india on amazon in read desk top publishing with quarkxpress 2017 book reviews author details and more at amazon in free delivery on qualified orders

desk top publishing with quarkxpress 2017 alibris - Jan 08 2023

web buy desk top publishing with quarkxpress 2017 by matthias guenther foreword by martin turner online at alibris we have new and used copies available in 1 editions starting at 2 99 shop now

[desk top publishing with quarkxpress 2017 by martin turner 2017](#) - Jun 01 2022

web find many great new used options and get the best deals for desk top publishing with quarkxpress 2017 by martin turner 2017 trade paperback at the best online prices at ebay free shipping for many products

desk top publishing with quarkxpress 2017 paperback - Mar 30 2022

web desk top publishing with quarkxpress 2017 guenther matthias turner martin amazon sg books

desk top publishing with quarkxpress 2017 by guenther - Jan 28 2022

web buy desk top publishing with quarkxpress 2017 by guenther matthias turner martin online on amazon ae at best prices fast and free shipping free returns cash on delivery available on eligible purchase

desk top publishing with quarkxpress 2017 9781546626107 ebay - Sep 04 2022

web may 6 2022 find many great new used options and get the best deals for desk top publishing with quarkxpress 2017 at the best online prices at ebay free shipping for many products

desk top publishing with quarkxpress 2017 paperback - Aug 03 2022

web desk top publishing with quarkxpress is a guide not merely to the software category desktop publishing established in the 1980s but to desk top publishing a craft and skill which has been with us for hundreds of years quarkxpress 2017 tweaks and tunes the new tools of 2016 and adds to them sixteen entirely new features including powerful

[desk top publishing with quarkxpress 2017 softcover](#) - Feb 09 2023

web abebooks com desk top publishing with quarkxpress 2017 9781546626107 by turner martin and a great selection of

similar new used and collectible books available now at great prices

[desk top publishing with quarkxpress 2017 paperback](#) - Mar 10 2023

web may 23 2017 buy desk top publishing with quarkxpress 2017 by turner martin guenther matthias isbn 9781546626107

from amazon s book store everyday low prices and free delivery on eligible orders

digital publishing with quarkxpress 2017 - Oct 05 2022

web quarkxpress allows you to configure and export items for digital publishing in epub kindle native apps for android and ios and html5 publication output formats the epub file is compatible with all prominent epub readers and google chrome

desk top publishing with quarkxpress 2017 - Dec 07 2022

web desk top publishing with quarkxpress 2017 feb 22 2023 desk top publishing with quarkxpress is a guide not merely to the software category desktop publishing established in the 1980s but to desk top publishing a craft and skill which has been with us

[desk top publishing with quarkxpress 2017 barnes noble](#) - Apr 11 2023

web may 23 2017 desk top publishing with quarkxpress is a guide not merely to the software category desktop publishing established in the 1980s but to desk top publishing a craft and skill which has been with us for hundreds of years

quarkxpress 2017 tweaks and tunes the new tools of 2016 and adds to them sixteen entirely new

desk top publishing with quarkxpress 2017 goodreads - Jul 14 2023

web may 23 2017 desk top publishing with quarkxpress is a guide not merely to the software category desktop publishing established in the 1980s but to desk top publishing a craft and skill which has been with us for hundreds of years

quarkxpress 2017 tweaks and tunes the new tools of 2016 and adds to them sixteen entirely new

desk top publishing with quarkxpress 2016 amazon com - Feb 26 2022

web may 22 2016 this is a book about desk top publishing a trade that goes back more than two thousand years not merely desktop publishing a word for a new category of software coined in the 1980s it condenses 30 years of dtp print and digital experience into 356 pages suitable for novice and expert alike

[desk top publishing with quarkxpress 2017 paperback](#) □□□ □□□□□□ - Dec 27 2021

web buy desk top publishing with quarkxpress 2017 online on amazon eg at best prices fast and free shipping free returns cash on delivery available on eligible purchase

desk top publishing with quarkxpress 2017 by martin turner - Nov 06 2022

web desk top publishing with quarkxpress is a guide not merely to the software category desktop publishing established in the 1980s but to desk top publishing a craft and skill which has been with us for hundreds of years quarkxpress 2017 tweaks and tunes the new tools of 2016 and adds to them sixteen entirely new features including powerful

desk top publishing with quarkxpress 2017 paperback - Apr 30 2022

web desk top publishing with quarkxpress 2017 turner martin guenther matthias on amazon com au free shipping on eligible orders desk top publishing with quarkxpress 2017

desk top publishing with quarkxpress 2017 amazon com - Aug 15 2023

web may 23 2017 desk top publishing with quarkxpress 2017 paperback may 23 2017 by martin turner author matthias guenther foreword 20 ratings see all formats and

quarkxpress layout design digital desktop publishing software - Jun 13 2023

web its digital publishing capabilities are unmatched for quickly and easily converting documents into flex websites and other interactive digital experiences brilliant print and digital content design begins with quarkxpress the original desktop publishing software for creative professionals

desk top publishing with quarkxpress 2017 paperback - May 12 2023

web desk top publishing with quarkxpress is a guide not merely to the software category desktop publishing established in the 1980s but to desk top publishing a craft and skill which has been with us for hundreds of years quarkxpress 2017 tweaks and tunes the new tools of 2016 and adds to them sixteen entirely new features including powerful