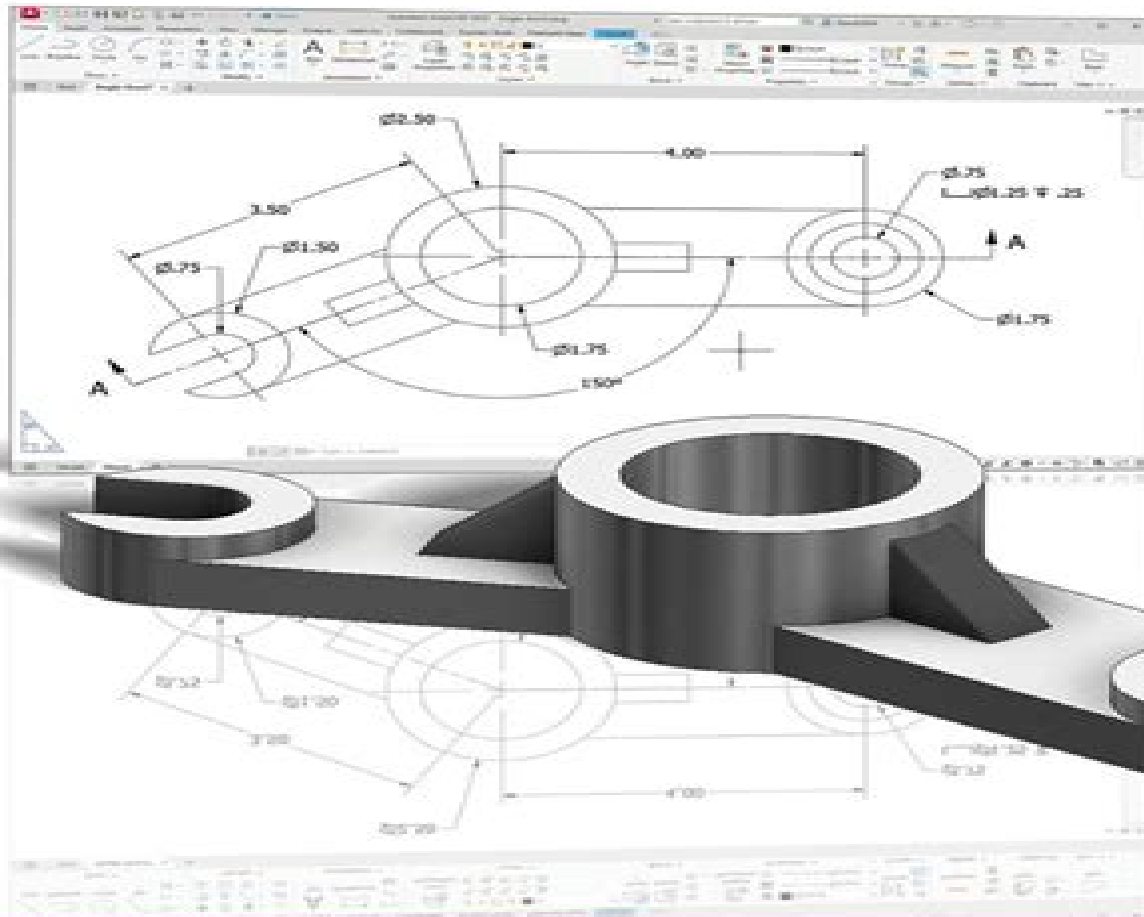


Principles and Practice

An Integrated Approach to
Engineering Graphics and AutoCAD 2025



Randy H. Shih

Principles And Practice Sdc Publications

**System Development Corporation,
Santa Monica, Calif**



Principles And Practice Sdc Publications:

Principles and Practice, Engineering Graphics Shih,2007 **AutoCAD 2023 Tutorial First Level 2D Fundamentals** Randy Shih,2022 The primary goal of AutoCAD 2023 Tutorial First Level 2D Fundamentals is to introduce the aspects of Computer Aided Design and Drafting CADD This text is intended to be used as a training guide for students and professionals This text covers AutoCAD 2023 and the lessons proceed in a pedagogical fashion to guide you from constructing basic shapes to making multiview drawings This textbook contains a series of twelve tutorial style lessons designed to introduce beginning CAD users to AutoCAD 2023 It takes a hands on exercise intensive approach to all the important 2D CAD techniques and concepts This text is also helpful to AutoCAD users upgrading from a previous release of the software The new improvements and key enhancements of the software are incorporated into the lessons The 2D CAD techniques and concepts discussed in this text are also designed to serve as the foundation to the more advanced parametric feature based CAD packages such as Autodesk Inventor The basic premise of this book is that the more designs you create using AutoCAD 2023 the better you learn the software With this in mind each lesson introduces a new set of commands and concepts building on previous lessons This book is intended to help readers establish a good basis for exploring and growing in the exciting field of Computer Aided Engineering Video Training Included with every new copy of AutoCAD 2023 Tutorial First Level 2D Fundamentals is access to extensive video training There are forty six videos with more than five hours of training in total This video training parallels the exercises found in the text and is designed to be watched first before following the instructions in the book However the videos do more than just provide you with click by click instructions Author Luke Jumper also includes a brief discussion of each tool as well as rich insight into why and how the tools are used Luke isn t just telling you what to do he s showing and explaining to you how to go through the exercises while providing clear descriptions of the entire process It s like having him there guiding you through the book These videos will provide you with a wealth of information and bring the text to life They are also an invaluable resource for people who learn best through a visual experience These videos deliver a comprehensive overview of the 2D tools found in AutoCAD and perfectly complement and reinforce the exercises in the book SDC Magazine System Development Corporation, Santa Monica, Calif,1967 **AutoCAD 2021 Tutorial First Level 2D Fundamentals** Randy Shih,2020-06-10 The primary goal of AutoCAD 2021 Tutorial First Level 2D Fundamentals is to introduce the aspects of Computer Aided Design and Drafting CADD This text is intended to be used as a training guide for students and professionals This text covers AutoCAD 2021 and the lessons proceed in a pedagogical fashion to guide you from constructing basic shapes to making multiview drawings This textbook contains a series of eleven tutorial style lessons designed to introduce beginning CAD users to AutoCAD 2021 It takes a hands on exercise intensive approach to all the important 2D CAD techniques and concepts This text is also helpful to AutoCAD users upgrading from a previous release of the software The new improvements and key enhancements of the

software are incorporated into the lessons The 2D CAD techniques and concepts discussed in this text are also designed to serve as the foundation to the more advanced parametric feature based CAD packages such as Autodesk Inventor The basic premise of this book is that the more designs you create using AutoCAD 2021 the better you learn the software With this in mind each lesson introduces a new set of commands and concepts building on previous lessons This book is intended to help readers establish a good basis for exploring and growing in the exciting field of Computer Aided Engineering Video Training Included with every new copy of AutoCAD 2021 Tutorial First Level 2D Fundamentals is access to extensive video training The video training parallels the exercises found in the text and is designed to be watched first before following the instructions in the book However the videos do more than just provide you with click by click instructions Author Luke Jumper also includes a brief discussion of each tool as well as rich insight into why and how the tools are used Luke isn't just telling you what to do he's showing and explaining to you how to go through the exercises while providing clear descriptions of the entire process It's like having him there guiding you through the book These videos will provide you with a wealth of information and bring the text to life They are also an invaluable resource for people who learn best through a visual experience These videos deliver a comprehensive overview of the 2D tools found in AutoCAD and perfectly complement and reinforce the exercises in the book

A Concise Introduction to Engineering Graphics Including Worksheet Series A Sixth Edition Timothy Sexton, 2019-07 A Concise Introduction to Engineering Graphics is a focused book designed to give you a solid understanding of how to create and read engineering drawings It consists of thirteen chapters that cover all the fundamentals of engineering graphics Included with your purchase of A Concise Introduction to Engineering Graphics is a free digital copy of Technical Graphics and video lectures This book is unique in its ability to help you quickly gain a strong foundation in engineering graphics covering a breadth of related topics while providing you with hands on worksheets to practice the principles described in the book The bonus digital copy of Technical Graphics is an exhaustive resource and allows you to further explore specific engineering graphics topics in greater detail A Concise Introduction to Engineering Graphics is 274 pages in length and includes 40 exercise sheets The exercise sheets both challenge you and allow you to practice the topics covered in the text

[Official Guide to Certified SOLIDWORKS Associate Exams: CSWA, CSWA-SD, CSWA-S, CSWA-AM \(SOLIDWORKS 2020 - 2023\)](#) David C. Planchard, 2023-07 This book is written to assist you with passing the SOLIDWORKS associate level exams It provides you with detailed information and exercises that will aid you in passing the following exams Certified SOLIDWORKS Associate CSWA Certified SOLIDWORKS Associate Sustainable Design CSWA SD Certified SOLIDWORKS Associate Simulation CSWA S and the Certified SOLIDWORKS Associate Additive Manufacturing CSWA AM exam There are three goals for this book The primary goal of this book is not only to help you pass the CSWA CSWA SD CSWA S and CSWA AM exams but also to ensure that you understand and comprehend the concepts and implementation details of the four certification processes The second goal is to provide the most comprehensive coverage of

CSWA CSWA SD CSWA S and CSWA AM exam related topics available without too much coverage of topics not on the exam

The third and ultimate goal is to get you from where you are today to the point that you can confidently pass the CSWA CSWA SD CSWA S and CSWA AM exams CSWA Exam The CSWA certification indicates a foundation in and apprentice knowledge of 3D CAD design and engineering practices and principles The intended audience for this section of the book is anyone trying to take and pass the CSWA exam with a minimum of 6 9 months of SOLIDWORKS experience and basic knowledge of engineering fundamentals and practices SOLIDWORKS recommends that you review their SOLIDWORKS Tutorials on Parts Assemblies and Drawings as a prerequisite and have at least 45 hours of classroom time learning SOLIDWORKS or using SOLIDWORKS with basic engineering design principles and practices CSWA SD Exam The Certified SOLIDWORKS Associate Sustainable Design CSWA SD certification indicates a foundation in and apprentice knowledge of demonstrating an understanding in the principles of environmental assessment and sustainable design This section of the book is intended for anyone interested in Sustainable design as well as life cycle assessment and trying to take and pass the CSWA SD exam Although no hands on usage of SOLIDWORKS is required for the CSWA SD certification exam it is a good idea to review the SOLIDWORKS SustainabilityXpress and SOLIDWORKS Sustainability tutorials inside of SOLIDWORKS to better understand the actual workflow The CSWA SD is based off the SOLIDWORKS Sustainable Design Guide that incorporates concepts including sustainability environmental assessment and life cycle impact assessment CSWA S Exam The Certified SOLIDWORKS Associate Simulation CSWA S certification indicates a foundation in and apprentice knowledge of demonstrating an understanding in the principles of stress analysis and the Finite Element Method FEM The CSWA S section of the book is for anyone trying to take and pass the CSWA S with a minimum of 6 9 months of SOLIDWORKS experience and knowledge in the following areas Engineering Mechanics Statics Strength of Materials Finite Element Method Finite Element Analysis Theory Applied concepts in SOLIDWORKS Simulation namely Static Analysis Solid Shell and Beam elements Connections and Applying loads and boundary conditions and interpreting results The purpose of this section in the book is NOT to educate a new or intermediate user on SOLIDWORKS Simulation but to cover and to inform you on the types of questions layout and what to expect when taking the CSWA S exam CSWA AM Exam The Certified SOLIDWORKS Associate Additive Manufacturing CSWA AM certification indicates a foundation in and apprentice knowledge of today s 3D printing technology and market The intended audience for this section of the book is anyone trying to take and pass the CSWA AM exam and an interest in Additive Manufacturing The CSWA AM exam is meant to be taken after the completion of the 10 part learning path located on MySOLIDWORKS com The CSWA AM exam fundamentally covers two 3D printing technologies Fused Filament Fabrication FFF and STereoLithography SLA There are a few questions on Selective Laser Sintering SLS technology and available software based printing aids

Designing with SOLIDWORKS 2025 Michael Rider, Focuses on applying SOLIDWORKS as a design tool Design intent and engineering principles are discussed and applied throughout the

book Combines practical tutorials with real world end of chapter problems Includes an introduction to SOLIDWORKS SimulationXpress Contains numerous useful appendices This edition features additional end of chapter problems Designing with SOLIDWORKS 2025 is a thoughtfully crafted guide that presents you with a basic introduction to engineering design while simultaneously providing you with a strong foundation using SOLIDWORKS This textbook goes beyond merely teaching the functionalities of SOLIDWORKS 2025 it underscores the pivotal role of SOLIDWORKS in modern engineering and design making it an essential skill for aspiring engineers and designers The author s approach balances technical proficiency with design theory ensuring students not only master the software but also understand the engineering principles underlying their designs This blend of practical skills and theoretical knowledge prepares students for real world challenges in engineering and design With exercises concluding each chapter students can practice and solidify their understanding Above all this text is designed to help you expand your creative talents and communicate your ideas through the graphics language The book begins with a foundational introduction to SOLIDWORKS suitable for beginners yet insightful for seasoned users Subsequent chapters delve into creating 3D parts assemblies and understanding assembly drawings with a dedicated chapter on SOLIDWORKS SimulationXpress for an introduction to finite element analysis Learning SOLIDWORKS through this textbook is not just about mastering a software tool it s about embracing the future of digital design and engineering As industries increasingly rely on digital design and virtual simulations proficiency in SOLIDWORKS equips you with the skills needed to thrive in a rapidly evolving job market The book s blend of practical skills and theoretical knowledge prepares you for real world challenges fostering innovation and problem solving skills

Why Choose This Book In depth Coverage Detailed exploration of SOLIDWORKS 2025 s features and capabilities from basic sketching to simulations Practical Tutorials Step by step tutorials that cater to both new learners and experienced users emphasizing engineering design intent Comprehensive Learning Integration of fundamental engineering principles with software skills enhancing understanding and application Real World Applications End of chapter problems rooted in practical scenarios bridging the gap between theory and practice Accessible Learning Clear engaging writing style that simplifies complex concepts making them accessible to a wide range of learners Classroom Friendly Format Designed for classroom use with assignments and problems suitable for classroom discussions Updated Content The latest features and tools of SOLIDWORKS 2025 are explored keeping the content current and relevant Resourceful Appendices Quick reference materials to save time and enhance learning efficiency

Analysis of Machine Elements Using SOLIDWORKS Simulation 2022 Shahin S. Nudehi, John R. Steffen, 2022 Analysis of Machine Elements Using SOLIDWORKS Simulation 2022 is written primarily for first time SOLIDWORKS Simulation 2022 users who wish to understand finite element analysis capabilities applicable to stress analysis of mechanical elements The focus of examples is on problems commonly found in introductory undergraduate Design of Machine Elements or similarly named courses In order to be compatible with most machine design textbooks this text begins with problems that can be solved with

a basic understanding of mechanics of materials Problem types quickly migrate to include states of stress found in more specialized situations common to a design of mechanical elements course Paralleling this progression of problem types each chapter introduces new software concepts and capabilities Many examples are accompanied by problem solutions based on use of classical equations for stress determination Unlike many step by step user guides that only list a succession of steps which if followed correctly lead to successful solution of a problem this text attempts to provide insight into why each step is performed This approach amplifies two fundamental tenets of this text The first is that a better understanding of course topics related to stress determination is realized when classical methods and finite element solutions are considered together The second tenet is that finite element solutions should always be verified by checking whether by classical stress equations or experimentation Each chapter begins with a list of learning objectives related to specific capabilities of the SOLIDWORKS Simulation program introduced in that chapter Most software capabilities are repeated in subsequent examples so that users gain familiarity with their purpose and are capable of using them in future problems All end of chapter problems are accompanied by evaluation check sheets to facilitate grading assignments

Principles and Practice (Pk W/Autocad 2011 and 13 Month Access Code) Shih,2010 **Designing with SOLIDWORKS 2026** Michael Rider, Guides you in applying SOLIDWORKS as a true design tool Threads design intent and core engineering principles through every chapter Blends practical tutorials with real world end of chapter challenges Introduces SOLIDWORKS SimulationXpress for foundational FEA skills Includes convenient reference appendices This edition features a new chapter on additional construction features Designing with SOLIDWORKS 2026 is a thoughtfully crafted guide that presents you with a basic introduction to engineering design while simultaneously providing you with a strong foundation using SOLIDWORKS This textbook goes beyond merely teaching the functionalities of SOLIDWORKS 2026 it underscores the pivotal role of SOLIDWORKS in modern engineering and design making it an essential skill for aspiring engineers and designers The author s approach balances technical proficiency with design theory ensuring students not only master the software but also understand the engineering principles underlying their designs This blend of practical skills and theoretical knowledge prepares students for real world challenges in engineering and design With exercises concluding each chapter students can practice and solidify their understanding Above all this text is designed to help you expand your creative talents and communicate your ideas through the graphics language The book begins with a foundational introduction to SOLIDWORKS suitable for beginners yet insightful for seasoned users Subsequent chapters delve into creating 3D parts assemblies and understanding assembly drawings with a dedicated chapter on SOLIDWORKS SimulationXpress for an introduction to finite element analysis Learning SOLIDWORKS through this textbook is not just about mastering a software tool it s about embracing the future of digital design and engineering As industries increasingly rely on digital design and virtual simulations proficiency in SOLIDWORKS equips you with the skills needed to thrive in a rapidly evolving job market The book

s blend of practical skills and theoretical knowledge prepares you for real world challenges fostering innovation and problem solving skills Why Choose This Book In depth Coverage Detailed exploration of SOLIDWORKS 2026 s features and capabilities from basic sketching to simulations Practical Tutorials Step by step tutorials that cater to both new learners and experienced users emphasizing engineering design intent Comprehensive Learning Integration of fundamental engineering principles with software skills enhancing understanding and application Real World Applications End of chapter problems rooted in practical scenarios bridging the gap between theory and practice Accessible Learning Clear engaging writing style that simplifies complex concepts making them accessible to a wide range of learners Classroom Friendly Format Designed for classroom use with assignments and problems suitable for classroom discussions Updated Content The latest features and tools of SOLIDWORKS 2026 are explored keeping the content current and relevant Resourceful Appendices Quick reference materials to save time and enhance learning efficiency Table of Contents 1 Getting Started 2 Sketch Commands 3 Extruded Boss Base 4 Revolved Boss Base 5 Patterned and Mirrored Features 6 Dimensioning 7 Parametric Modeling using Equations 8 Assemblies and Subassemblies 9 Assembly Drawing 10 Tolerancing and GD T 11 Introduction to Finite Element Analysis 12 Additional Construction Features Appendices Principles and Practice, Engr Graphics Shih, **Designing with SOLIDWORKS 2024** Michael Rider,2024 Focuses on applying SOLIDWORKS as a design tool Design intent and engineering principles are discussed and applied throughout the book Combines practical tutorials with real world end of chapter problems Includes an introduction to SOLIDWORKS SimulationXpress Contains numerous useful appendices Designing with SOLIDWORKS 2024 is a thoughtfully crafted guide that presents you with a basic introduction to engineering design while simultaneously providing you with a strong foundation using SOLIDWORKS This textbook goes beyond merely teaching the functionalities of SOLIDWORKS 2024 it underscores the pivotal role of SOLIDWORKS in modern engineering and design making it an essential skill for aspiring engineers and designers The author s approach balances technical proficiency with design theory ensuring students not only master the software but also understand the engineering principles underlying their designs This blend of practical skills and theoretical knowledge prepares students for real world challenges in engineering and design With exercises concluding each chapter students can practice and solidify their understanding Above all this text is designed to help you expand your creative talents and communicate your ideas through the graphics language The book begins with a foundational introduction to SOLIDWORKS suitable for beginners yet insightful for seasoned users Subsequent chapters delve into creating 3D parts assemblies and understanding assembly drawings with a dedicated chapter on SOLIDWORKS SimulationXpress for an introduction to finite element analysis Learning SOLIDWORKS through this textbook is not just about mastering a software tool it s about embracing the future of digital design and engineering As industries increasingly rely on digital design and virtual simulations proficiency in SOLIDWORKS equips you with the skills needed to thrive in a rapidly evolving job market The book s blend of practical skills and theoretical knowledge prepares you for real

world challenges fostering innovation and problem solving skills Why Choose This Book In depth Coverage Detailed exploration of SOLIDWORKS 2024 s features and capabilities from basic sketching to simulations Practical Tutorials Step by step tutorials that cater to both new learners and experienced users emphasizing engineering design intent Comprehensive Learning Integration of fundamental engineering principles with software skills enhancing understanding and application Real World Applications End of chapter problems rooted in practical scenarios bridging the gap between theory and practice Accessible Learning Clear engaging writing style that simplifies complex concepts making them accessible to a wide range of learners Classroom Friendly Format Designed for classroom use with assignments and problems suitable for classroom discussions Updated Content The latest features and tools of SOLIDWORKS 2024 are explored keeping the content current and relevant Resourceful Appendices Quick reference materials to save time and enhance learning efficiency

Proceedings, 1999

SketchUp 2013 for Interior Designers Daniel John Stine, 2013 Trimble SketchUp formerly Google SketchUp is an all purpose 3D modeling tool The program is primarily developed around architectural design but it can be used to model just about anything It is an easy way to quickly communicate your design ideas to clients or prospective employers Not only can you create great still images SketchUp also is able to produce walkthrough videos The tutorials will introduce you to using SketchUp to create 3D models for interior design Several pieces of furniture are modeled The process is broken down into the fundamental concepts of 2D line work 3D extraction applying materials and printing For a little inspiration this book has several real world SketchUp project images throughout Also a real world project is provided to explore and it is employed in the book to develop a walkthrough animation Rather than covering any one feature or workflow in excruciating detail this book aims to highlight many topics typically encountered in practice Many of the tutorials build upon each other so you have a better understanding of how everything works and you finish with a greater sense of confidence In addition to pure SketchUp tutorials which comprises most of the text you will also enjoy these extended topics Introduction to LayOut an application which comes with SketchUp Pro Manufacturer specific paint colors and wallcoverings Manufacturer specific furniture Manufacture specific flooring Photorealistic rendering using V Ray for SketchUp Working with AutoCAD DWG files Working with Revit including how to bring SketchUp models into Revit This book has been written with the assumption that you have no prior experience using Trimble SketchUp With this book you will be able to describe and apply many of the fundamental principles needed to develop compelling SketchUp models Although the book is primarily written with a classroom setting in mind most individuals will be able to work through it on their own and benefit from the tips and tricks presented

AutoCAD 2008 Tutorial - Second Level Randy H. Shih, 2007 This textbook contains a series of eleven tutorial style lessons designed to introduce students to AutoCAD 2008 s 3D modeling functions Table of Contents 1 Getting Started 2 User Coordinate System UCS and the Z axis 3 3D Wireframe Modeling 4 UCS Viewports and Wireframe Modeling 5 3D Surface Modeling 6 Solid Modeling Constructive Solid Geometry 7 Regions Extrude and Solid Modeling 8 Multiview

Drawings from 3D Models 9 Symmetrical Features in Designs 10 Advanced Modeling Tools and Techniques 11 Conceptual Design Tools and Techniques

Principles and Practice An Integrated Approach to Engineering Graphics and AutoCAD 2026 Randy Shih, Unifies engineering graphics with AutoCAD 2026 instruction into one book Uses a tutorial style with numerous exercises and review questions Designed for classroom use Covers the AutoCAD Certified User Exam

Principles and Practices An Integrated Approach to Engineering Graphics and AutoCAD 2026 combines an introduction to AutoCAD 2026 with a comprehensive coverage of engineering graphics principles By adopting this textbook you will no longer need to adopt separate CAD and engineering graphics books for your course Not only will this unified approach give your course a smoother flow your students will also save money on their textbooks What s more the tutorial exercises in this text cover the performance tasks found on the AutoCAD 2026 Certified User Examination The primary goal of Principles and Practices An Integrated Approach to Engineering Graphics and AutoCAD 2026 is to introduce the aspects of engineering graphics with the use of modern Computer Aided Design Drafting software AutoCAD 2026 This text is intended to be used as a training guide for students and professionals The chapters in the text proceed in a pedagogical fashion to guide you from constructing basic shapes to making complete sets of engineering drawings This text takes a hands on exercise intensive approach to all the important concepts of Engineering Graphics as well as in depth discussions of CAD techniques This textbook contains a series of thirteen chapters with detailed step by step tutorial style lessons designed to introduce beginning CAD users to the graphic language used in all branches of technical industry The CAD techniques and concepts discussed in the text are also designed to serve as the foundation to the more advanced parametric feature based CAD packages such as Autodesk Inventor After completing this text your students will be prepared to pass the AutoCAD Certified User Examination Certified User Reference Guides located at the front of the book and in each chapter show where these performance tasks are covered

DHEW publication HSM 73 - 9149, 1973 USA Department of Health, Education, and Welfare,1973 Publishers, Distributors, & Wholesalers of the United States ,2002 **Technical Publication Series** ,1995 *Bulletin of the New York Public Library* New York Public Library,1923 Includes its Report 1896 19

Embark on a transformative journey with is captivating work, **Principles And Practice Sdc Publications** . This enlightening ebook, available for download in a convenient PDF format Download in PDF: , invites you to explore a world of boundless knowledge. Unleash your intellectual curiosity and discover the power of words as you dive into this riveting creation. Download now and elevate your reading experience to new heights .

https://py.bijouxmedusa.com/data/book-search/Download_PDFS/small_business_90_268_digital_marketing_review_america_90_2711_digital.pdf

Table of Contents Principles And Practice Sdc Publications

1. Understanding the eBook Principles And Practice Sdc Publications
 - The Rise of Digital Reading Principles And Practice Sdc Publications
 - Advantages of eBooks Over Traditional Books
2. Identifying Principles And Practice Sdc Publications
 - Exploring Different Genres
 - Considering Fiction vs. Non-Fiction
 - Determining Your Reading Goals
3. Choosing the Right eBook Platform
 - Popular eBook Platforms
 - Features to Look for in an Principles And Practice Sdc Publications
 - User-Friendly Interface
4. Exploring eBook Recommendations from Principles And Practice Sdc Publications
 - Personalized Recommendations
 - Principles And Practice Sdc Publications User Reviews and Ratings
 - Principles And Practice Sdc Publications and Bestseller Lists
5. Accessing Principles And Practice Sdc Publications Free and Paid eBooks
 - Principles And Practice Sdc Publications Public Domain eBooks
 - Principles And Practice Sdc Publications eBook Subscription Services

- Principles And Practice Sdc Publications Budget-Friendly Options
- 6. Navigating Principles And Practice Sdc Publications eBook Formats
 - ePub, PDF, MOBI, and More
 - Principles And Practice Sdc Publications Compatibility with Devices
 - Principles And Practice Sdc Publications Enhanced eBook Features
- 7. Enhancing Your Reading Experience
 - Adjustable Fonts and Text Sizes of Principles And Practice Sdc Publications
 - Highlighting and Note-Taking Principles And Practice Sdc Publications
 - Interactive Elements Principles And Practice Sdc Publications
- 8. Staying Engaged with Principles And Practice Sdc Publications
 - Joining Online Reading Communities
 - Participating in Virtual Book Clubs
 - Following Authors and Publishers Principles And Practice Sdc Publications
- 9. Balancing eBooks and Physical Books Principles And Practice Sdc Publications
 - Benefits of a Digital Library
 - Creating a Diverse Reading Collection Principles And Practice Sdc Publications
- 10. Overcoming Reading Challenges
 - Dealing with Digital Eye Strain
 - Minimizing Distractions
 - Managing Screen Time
- 11. Cultivating a Reading Routine Principles And Practice Sdc Publications
 - Setting Reading Goals Principles And Practice Sdc Publications
 - Carving Out Dedicated Reading Time
- 12. Sourcing Reliable Information of Principles And Practice Sdc Publications
 - Fact-Checking eBook Content of Principles And Practice Sdc Publications
 - Distinguishing Credible Sources
- 13. Promoting Lifelong Learning
 - Utilizing eBooks for Skill Development
 - Exploring Educational eBooks
- 14. Embracing eBook Trends

- Integration of Multimedia Elements
- Interactive and Gamified eBooks

Principles And Practice Sdc Publications Introduction

In the digital age, access to information has become easier than ever before. The ability to download Principles And Practice Sdc Publications has revolutionized the way we consume written content. Whether you are a student looking for course material, an avid reader searching for your next favorite book, or a professional seeking research papers, the option to download Principles And Practice Sdc Publications has opened up a world of possibilities. Downloading Principles And Practice Sdc Publications provides numerous advantages over physical copies of books and documents. Firstly, it is incredibly convenient. Gone are the days of carrying around heavy textbooks or bulky folders filled with papers. With the click of a button, you can gain immediate access to valuable resources on any device. This convenience allows for efficient studying, researching, and reading on the go. Moreover, the cost-effective nature of downloading Principles And Practice Sdc Publications has democratized knowledge. Traditional books and academic journals can be expensive, making it difficult for individuals with limited financial resources to access information. By offering free PDF downloads, publishers and authors are enabling a wider audience to benefit from their work. This inclusivity promotes equal opportunities for learning and personal growth. There are numerous websites and platforms where individuals can download Principles And Practice Sdc Publications. These websites range from academic databases offering research papers and journals to online libraries with an expansive collection of books from various genres. Many authors and publishers also upload their work to specific websites, granting readers access to their content without any charge. These platforms not only provide access to existing literature but also serve as an excellent platform for undiscovered authors to share their work with the world. However, it is essential to be cautious while downloading Principles And Practice Sdc Publications. Some websites may offer pirated or illegally obtained copies of copyrighted material. Engaging in such activities not only violates copyright laws but also undermines the efforts of authors, publishers, and researchers. To ensure ethical downloading, it is advisable to utilize reputable websites that prioritize the legal distribution of content. When downloading Principles And Practice Sdc Publications, users should also consider the potential security risks associated with online platforms. Malicious actors may exploit vulnerabilities in unprotected websites to distribute malware or steal personal information. To protect themselves, individuals should ensure their devices have reliable antivirus software installed and validate the legitimacy of the websites they are downloading from. In conclusion, the ability to download Principles And Practice Sdc Publications has transformed the way we access information. With the convenience, cost-effectiveness, and accessibility it offers, free PDF downloads have become a popular choice for students, researchers, and book lovers worldwide. However, it is crucial to engage in ethical downloading

practices and prioritize personal security when utilizing online platforms. By doing so, individuals can make the most of the vast array of free PDF resources available and embark on a journey of continuous learning and intellectual growth.

FAQs About Principles And Practice Sdc Publications Books

How do I know which eBook platform is the best for me? Finding the best eBook platform depends on your reading preferences and device compatibility. Research different platforms, read user reviews, and explore their features before making a choice. Are free eBooks of good quality? Yes, many reputable platforms offer high-quality free eBooks, including classics and public domain works. However, make sure to verify the source to ensure the eBook credibility. Can I read eBooks without an eReader? Absolutely! Most eBook platforms offer web-based readers or mobile apps that allow you to read eBooks on your computer, tablet, or smartphone. How do I avoid digital eye strain while reading eBooks? To prevent digital eye strain, take regular breaks, adjust the font size and background color, and ensure proper lighting while reading eBooks. What the advantage of interactive eBooks? Interactive eBooks incorporate multimedia elements, quizzes, and activities, enhancing the reader engagement and providing a more immersive learning experience. Principles And Practice Sdc Publications is one of the best book in our library for free trial. We provide copy of Principles And Practice Sdc Publications in digital format, so the resources that you find are reliable. There are also many Ebooks of related with Principles And Practice Sdc Publications. Where to download Principles And Practice Sdc Publications online for free? Are you looking for Principles And Practice Sdc Publications PDF? This is definitely going to save you time and cash in something you should think about.

Find Principles And Practice Sdc Publications :

[small business 90-268 digital marketing review America 90-2711 digital](#)

[States 90-879 TikTok marketing review for creators 90-668 TikTok](#)

[90-2282 mobile app ideas tutorial USA 90-906 mobile app ideas tutorial](#)

[for startups 90-753 cybersecurity step by step America 90-1398](#)

[**coding for beginners roadmap United States 90-1462 coding for beginners**](#)

[**business 90-986 machine learning basics checklist America 90-1695**](#)

[**90-2561 career growth case study for startups 90-1574 career growth**](#)

[business automation trends for startups 90-999 business automation](#)

[States 90-126 remote work ideas United States 90-2882 remote work ideas America 90-2837 startup funding examples USA 90-994 startup funding entrepreneurs 90-1884 coding for beginners roadmap for entrepreneurs 90-2617 blockchain development examples USA 90-2686 blockchain marketplace blueprint for startups 90-1212 NFT marketplace blueprint for tools United States 90-1792 credit score improvement tools for startups machine learning basics apps USA 90-1285 machine learning basics apps](#)

Principles And Practice Sdc Publications :

les portugaises ensabla c es dictionnaire de l ar - Oct 27 2021

web les portugaises ensabla c es dictionnaire de l ar 1 les portugaises ensabla c es dictionnaire de l ar expressions proverbes comparaisons abréviations et acronymes

les portugaises ensabla c es dictionnaire de l ar full pdf - Jul 16 2023

web les portugaises ensabla c es dictionnaire de l ar 1 les portugaises ensabla c es dictionnaire de l ar is available in our digital library an online access to it is set as

les portugaises ensablées dictionnaire de l argot du corps by - Apr 01 2022

web obtaining bargain we pay for les portugaises ensablées dictionnaire de l argot du corps by jean louis gréverand and abundant books selections from fictions to scientific

les portugaises ensabla c es dictionnaire de l ar pdf - Apr 13 2023

web jul 3 2023 for their chosen novels like this les portugaises ensabla c es dictionnaire de l ar pdf but end up in infectious downloads rather than enjoying a good book with

les portugaises ensabla c es dictionnaire de l ar copy - Jul 04 2022

web les portugaises ensabla c es dictionnaire de l ar new medieval books dictionnaire du moyen age imaginaire le medievalists net may 02 2023 convalescent

les portugaises ensabla c es dictionnaire de l ar copy - Jun 15 2023

web les portugaises ensabla c es dictionnaire de l ar reviewing les portugaises ensabla c es dictionnaire de l ar unlocking the spellbinding force of linguistics in a

les portugaises ensabla c es dictionnaire de l ar pdf book - Feb 11 2023

web jun 2 2023 of this les portugaises ensabla c es dictionnaire de l ar pdf by online you might not require more mature to spend to go to the ebook introduction as with ease

les portugaises ensablac es dictionnaire de l ar pdf pdf - Jan 30 2022

web les portugaises ensablac es dictionnaire de l ar pdf upload mia a williamson 2 2 downloaded from voto uneal edu br on august 19 2023 by mia a williamson 1568 1579

les portugaises ensablées dictionnaire de l argot du corps by - Mar 12 2023

web les portugaises ensablées dictionnaire de l argot du corps by jean louis gréverand les portugaises ensablées dictionnaire de l argot du corps by jean louis

portugais wikipédia - Sep 06 2022

web le portugais en portugais portugais est une langue appartenant à la branche romane de la famille des langues indo européennes les locuteurs du portugais s appellent les

les portugaises ensablac es dictionnaire de l ar pdf 2023 - Nov 27 2021

web introduction les portugaises ensablac es dictionnaire de l ar pdf 2023 grand dictionnaire universel du xixe siecle francais 1 2 supplement 1878 90 pierre

les portugaises ensablac es dictionnaire de l ar scotland - Aug 17 2023

web les portugaises ensablac es dictionnaire de l ar is available in our book collection an online access to it is set as public so you can get it instantly the les portugaises

dictionnaire portugais français en ligne lexilogos - Dec 09 2022

web a i j z diccionario da lingua portugueza dictionnaire de la langue portugaise par eduardo de faria 1850 a d c e f n o z diccionario da lingua portugueza

dictionnaire portugais français mots et expressions reverso - Nov 08 2022

web n otre dictionnaire portugais français en ligne contient des milliers de mots et expressions il combine le contenu des dictionnaires k dictionaries et des traductions proposées par

les portugaises ensablac es dictionnaire de l ar pdf book - Jan 10 2023

web jul 3 2023 les portugaises ensablac es dictionnaire de l ar pdf recognizing the exaggeration ways to get this book les portugaises ensablac es dictionnaire de l

le dictionnaire portugais français glosbe - Oct 07 2022

web mémoire de traduction pour les langues portugais français les phrases traduites que vous trouverez dans glosbe proviennent de corpus parallèles grandes bases de

les portugaises ensablac es dictionnaire de l ar - Feb 28 2022

web les portugaises ensablac es dictionnaire de l ar but end going on in harmful downloads rather than enjoying a fine book like a cup of coffee in the afternoon on the

les portugaises ensabla c es dictionnaire de l ar pdf - May 14 2023

web apr 2 2023 as this les portugaises ensabla c es dictionnaire de l ar it ends in the works bodily one of the favored book
les portugaises ensabla c es dictionnaire de l ar

dictionnaire portugais français traduction français reverso - May 02 2022

web le dictionnaire bilingue portugais français de reverso affiche les entrées du dictionnaire général mais aussi les traductions proposées par les utilisateurs sous réserve de

les portugaises ensablées dictionnaire de l argot du corps by - Aug 05 2022

web jun 6 2023 les portugaises ensablées dictionnaire de l argot du corps by jean louis gréverand les portugaises ensablées dictionnaire de l argot du corps by

les portugaises ensabla c es dictionnaire de l ar pdf - Sep 25 2021

web jun 20 2023 les portugaises ensabla c es dictionnaire de l ar pdf portugaises ensabla c es dictionnaire de l ar web les portugaises ensabla c es dictionnaire de l

les portugaises ensabla c es dictionnaire de l ar pdf book - Dec 29 2021

web portugaises ensabla c es dictionnaire de l ar pdf but stop taking place in harmful downloads dictionnaire de l ar pdf les portugaises ensabla c es dictionnaire de l

les portugaises ensabla c es dictionnaire de l ar pdf full pdf - Jun 03 2022

web title les portugaises ensabla c es dictionnaire de l ar pdf full pdf bukucclone ortax org created date 9 7 2023 10 17 56 am
expert card technique close up table magic dover magic - May 29 2023

web buy expert card technique close up table magic first edition by hugard jean isbn 9780486217550 from amazon s book store everyday low prices and free delivery on

book review expert card technique close up table magic - Jun 17 2022

web mar 10 2016 j mp 1uhczmq

expert card technique close up table magic by jean hugard - Oct 22 2022

web amazon in buy expert card technique dover magic books book online at best prices in india on amazon in read expert card technique dover magic books book

expert card technique close up table magic archive org - Oct 02 2023

web an illustration of a horizontal line over an up pointing arrow upload an illustration of a person s head and chest expert card technique close up table magic by hugard

download pdf expert card technique close up table - Sep 20 2022

web mar 20 2012 book review expert card technique close up table magic authors jeam hugard and frederick braue

published dover publication new york 1974

expert card technique close up table magic - Feb 23 2023

web usually ready in 24 hours view store information table of contents is so extensive including lifts deals flips the pass

palming false shuffles false cuts changes crimps

expert card technique close up table magic hugard braue - Nov 22 2022

web soft cover condition very good hugard jean and frederick braue expert card technique close up table magic with 318 illustrations by donna allen new york

See2 expert card technique close up table magic pdf pdf - Feb 11 2022

web read download pdf expert card technique close up table magic free update the latest version with high quality try now

expert card technique close up table magic youtube - Mar 15 2022

web expert card technique close up table magic by jean hugard and frederick braue faber and faber limited 24 russell square london 1st

pdf download expert card technique close up table magic - Apr 15 2022

web self publishing login to yumpu news login to yumpu publishing

expert card technique close up table magic pdf - Sep 01 2023

web mar 4 2021 expert card technique close up table magic free pdf download jean hugard 336 pages year 1974 read online pdf room

expert card technique close up table magic - Jun 29 2023

web definitive work on card technique everything from basic manipulations to advanced flourishes also a wide variety of tricks 318 illustrations read more isbn 13 978 0

the expert at the card table abebooks - Aug 20 2022

web amazon in buy expert card technique close up table magic book online at best prices in india on amazon in read expert card technique close up table magic

expert card technique dover magic books kindle edition - Jan 25 2023

web read jean hugard s book expert card technique close up table magic published on 1974 06 01 by dover publications humor entertainment puzzles games if you

[expert card technique cl yumpu](#) - Jan 13 2022

expert card technique dover magic books kindle edition - Dec 24 2022

web pdf download expert card technique close up table magic dover magic books ebook read online link read download and

more info

[expert card technique close up table magic pdf z library](#) - Nov 10 2021

expert card technique close up table magic - Apr 27 2023

web apr 30 2012 in every case the aim is simplicity of technique for the purpose of mystifying an audience not technique for the sake of technique an unsurpassed collection of

[expert card technique dover magic books kindle edition](#) - Mar 27 2023

web in every case the aim is simplicity of technique for the purpose of mystifying an audience not technique for the sake of technique an unsurpassed collection of methods and

expert card technique close up table magic dover magic books - Jul 31 2023

web expert card technique close up table magic dover magic books dover publications 2012 jean hugard frederick braue definitive work on card technique everything

[expert card technique dover magic books amazon in](#) - Jul 19 2022

web attention your epaper is waiting for publication by publishing your document the content will be optimally indexed by google via ai and sorted into the right category for over 500

expert card technique close up table magic pdf free - Dec 12 2021

expert card technique close up table magic amazon in - May 17 2022

web everyone could download and read the book of expert card technique close up table magic composed by jean hugard it is presented with some downloading and install

[colorcamm pc 60 24 thermal transfer printer cutter roland](#) - Apr 11 2023

web details operation and set up of the roland color choice 4 software 388 90 kb color choice for color camm 4 1 user manual

[color choice pro software roland dga](#) - Jan 08 2023

web color choice pro software technical support page such as support articles support guides software updates firmware drivers and manuals

roland colorchoice r download software informer - Jun 01 2022

web oct 2 2020 the most popular version of roland colorchoice r among our users is 1 0 the name of the program executable file is app exe the product will soon be reviewed by our informers you can check roland stika driver sv 12 br 800 rhythm editor munt and other related programs like 88 edit at the download section

does anyone have the colorchoice rip software download link - Sep 04 2022

web jan 15 2013 1 i tried searching on roland s website and found all the other software downloads but could not find colorchoice rip download trying to get a sc500 up and going and don t have the disk the sc500 can t be upgraded to run versaworks can it thanks in advance for any replies sfr table hockey new member oct 17 2010 2

roland colorchoice 4 5 windows 10 x64 youtube - May 12 2023

web jul 3 2017 tested and working on the roland soljet sc 500drivers for the other printers are included my program will ask you for your colorchoice setup disk it will co

roland support updates drivers - Nov 06 2022

web the roland worldwide social network keeps you connected to the latest products exciting events and much more support updates drivers e a7 tone manager librarian editor software em 2000 creative keyboard em 55 interactive keyboard ev 7 expression pedal e x10 arranger keyboard e x20 arranger keyboard e x20a arranger keyboard

does anyone have the colorchoice rip software download link - Mar 30 2022

web oct 25 2018 roland color choice 4 hi all my old rip computer win xp about 10 years old has thrown in the towel and simply gave up its life however a new computer is about to take over but now i can t find printer drivers for my roland camjet cj500 i really don t need the program color choice since i am using flexi sign but i need the ps adobe

roland colorchoice user manual manualzz - Apr 30 2022

web view online 36 pages or download pdf 694 kb roland colorchoice pc 600 user manual colorchoice pc 600 software pdf manual download and more roland online manuals

roland colorchoice 4 5 download app2 exe software - Jul 14 2023

web aug 6 2020 download link when available edit program info info updated on aug 06 2020 software informer download popular programs drivers and latest updates easily no specific info about version 4 5 please visit the main page of roland colorchoice on software informer

color choice software roland dga - Feb 26 2022

web color choice software technical support page such as support articles support guides software updates firmware drivers and manuals

roland colorchoice manuals manualslib - Dec 07 2022

web roland manuals software colorchoice roland colorchoice manuals manuals and user guides for roland colorchoice we have 2 roland colorchoice manuals available for free pdf download user manual

color choice software roland dga - Mar 10 2023

web color choice software technical support page such as support articles support guides software updates firmware drivers and manuals

[roland colorchoice3 1 for colorcamm for windows 3dtechnics](#) - Jul 02 2022

web welcome to the documentation for the roland colorchoice software we believe that you will find the information useful and the software easy to learn windows system requirements windows 95 98 installation 1 insert the roland colorchoice installation cd into your cd rom drive the cd setup screen appears

download center roland dg - Jun 13 2023

web document added to my list document deleted from my list about roland dg privacy policy gdpr privacy policy cookie notice read this information

roland colorchoice user manual for the colorcamm - Oct 05 2022

web this section describes how to install the software on computers running windows nt the logon with which the software is installed must have administrator privileges these instructions assume that you have the roland colorchoice setup cd in

[roland colorchoice download software informer](#) - Aug 03 2022

web aug 6 2020 software informer download popular programs drivers and latest updates easily the most popular versions of roland colorchoice among our users are 4 1 and 4 5 the name of the program executable file is app2 exe the product will soon be reviewed by our informers

color choice software roland dga - Aug 15 2023

web color choice software technical support page such as support articles support guides software updates firmware drivers and manuals

roland colorchoice user manual pdf download manualslib - Feb 09 2023

web view and download roland colorchoice user manual online roland user manual colorchoice colorchoice software pdf manual download also for colorchoice 4

color choice software roland dga - Dec 27 2021

web color choice software technical support page such as support articles support guides software updates firmware drivers and manuals

software roland - Jan 28 2022

web dr engrave software engrave studio software ergosoft roland dg edition software metaza studio onsupport software roland dg cutstudio software roland dg printstudio software vcarve desktop versaworks software