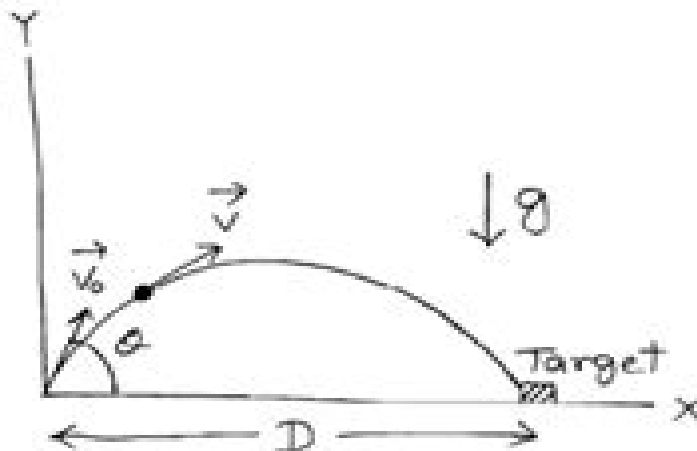


Consider the motion of a projectile in earth's gravitational field. The projectile of mass m is launched from the origin in a direction making an angle θ with the horizontal so as to hit a target placed at a distance D . There is a frictional force due to the air resistance acting on the projectile, which is opposite to the velocity direction and proportional to the square velocity. The equation

of motion from the Newton's Laws is:

$$M \left(\hat{i} \frac{d^2x}{dt^2} + \hat{j} \frac{d^2y}{dt^2} \right) = -Mg \hat{j} - \kappa v^2 \hat{v}$$

The following parameters are given: $g = 10 \text{ m/sec}^2$, $D = 1 \text{ Km}$, and the air friction parameter $\alpha = \kappa / M = 0.001 \text{ m}^{-1}$. If air friction is zero, then the analytical solution is known from elementary physics (formula given below), which you can use to check the results from your computer code. Draw appropriate graphs to discuss all key results.



- Write a computer code to solve the boundary value problem by using the shooting method.
- Determine the initial speed v_0 as a function of θ ($0 < \theta < \pi/2$) so that it hits the target.
- What is the minimum value of v_0 needed for the projectile to hit the target and what is the corresponding θ ?
- Repeat the above for $\alpha = 0.002 \text{ m}^{-1}$ and $\alpha = 0.005 \text{ m}^{-1}$.

Note: I suggested above some values for α . Determine appropriate values from your own numerical simulations so that you can see the effect of friction on motion. If friction is too high, the particle may not reach the target. If it is too low, you obtain results close to the analytical solution from elementary physics, viz., $v_0 = \sqrt{Dg / \sin 2\theta}$.

Numerical Method: Choose one of the following methods to solve the differential equations. Use a constant step size, just small enough that you can reproduce the analytical result for the initial speed v_0 accurate to within 0.001 % for the case of zero air resistance and $\theta = 45^\circ$.

- The fourth-order Runge Kutta Method to carry out the entire integration.

Projectile Motion Using Runge Kutta Methods

Jessica J Manson



Projectile Motion Using Runge Kutta Methods:

Uncover the mysteries within is enigmatic creation, Discover the Intrigue in **Projectile Motion Using Runge Kutta Methods** . This downloadable ebook, shrouded in suspense, is available in a PDF format (Download in PDF: *). Dive into a world of uncertainty and anticipation. Download now to unravel the secrets hidden within the pages.

<https://py.bijouxmedusa.com/public/detail/Documents/tips%20america%2078%202322%20machine%20learning%20basics%20tips%20america%2078%202918.pdf>

Table of Contents Projectile Motion Using Runge Kutta Methods

1. Understanding the eBook Projectile Motion Using Runge Kutta Methods
 - The Rise of Digital Reading Projectile Motion Using Runge Kutta Methods
 - Advantages of eBooks Over Traditional Books
2. Identifying Projectile Motion Using Runge Kutta Methods
 - Exploring Different Genres
 - Considering Fiction vs. Non-Fiction
 - Determining Your Reading Goals
3. Choosing the Right eBook Platform
 - Popular eBook Platforms
 - Features to Look for in an Projectile Motion Using Runge Kutta Methods
 - User-Friendly Interface
4. Exploring eBook Recommendations from Projectile Motion Using Runge Kutta Methods
 - Personalized Recommendations
 - Projectile Motion Using Runge Kutta Methods User Reviews and Ratings
 - Projectile Motion Using Runge Kutta Methods and Bestseller Lists
5. Accessing Projectile Motion Using Runge Kutta Methods Free and Paid eBooks
 - Projectile Motion Using Runge Kutta Methods Public Domain eBooks
 - Projectile Motion Using Runge Kutta Methods eBook Subscription Services
 - Projectile Motion Using Runge Kutta Methods Budget-Friendly Options

6. Navigating Projectile Motion Using Runge Kutta Methods eBook Formats
 - ePub, PDF, MOBI, and More
 - Projectile Motion Using Runge Kutta Methods Compatibility with Devices
 - Projectile Motion Using Runge Kutta Methods Enhanced eBook Features
7. Enhancing Your Reading Experience
 - Adjustable Fonts and Text Sizes of Projectile Motion Using Runge Kutta Methods
 - Highlighting and Note-Taking Projectile Motion Using Runge Kutta Methods
 - Interactive Elements Projectile Motion Using Runge Kutta Methods
8. Staying Engaged with Projectile Motion Using Runge Kutta Methods
 - Joining Online Reading Communities
 - Participating in Virtual Book Clubs
 - Following Authors and Publishers Projectile Motion Using Runge Kutta Methods
9. Balancing eBooks and Physical Books Projectile Motion Using Runge Kutta Methods
 - Benefits of a Digital Library
 - Creating a Diverse Reading Collection Projectile Motion Using Runge Kutta Methods
10. Overcoming Reading Challenges
 - Dealing with Digital Eye Strain
 - Minimizing Distractions
 - Managing Screen Time
11. Cultivating a Reading Routine Projectile Motion Using Runge Kutta Methods
 - Setting Reading Goals Projectile Motion Using Runge Kutta Methods
 - Carving Out Dedicated Reading Time
12. Sourcing Reliable Information of Projectile Motion Using Runge Kutta Methods
 - Fact-Checking eBook Content of Projectile Motion Using Runge Kutta Methods
 - Distinguishing Credible Sources
13. Promoting Lifelong Learning
 - Utilizing eBooks for Skill Development
 - Exploring Educational eBooks
14. Embracing eBook Trends
 - Integration of Multimedia Elements

-
- Interactive and Gamified eBooks

Projectile Motion Using Runge Kutta Methods Introduction

In today's digital age, the availability of Projectile Motion Using Runge Kutta Methods books and manuals for download has revolutionized the way we access information. Gone are the days of physically flipping through pages and carrying heavy textbooks or manuals. With just a few clicks, we can now access a wealth of knowledge from the comfort of our own homes or on the go. This article will explore the advantages of Projectile Motion Using Runge Kutta Methods books and manuals for download, along with some popular platforms that offer these resources. One of the significant advantages of Projectile Motion Using Runge Kutta Methods books and manuals for download is the cost-saving aspect. Traditional books and manuals can be costly, especially if you need to purchase several of them for educational or professional purposes. By accessing Projectile Motion Using Runge Kutta Methods versions, you eliminate the need to spend money on physical copies. This not only saves you money but also reduces the environmental impact associated with book production and transportation. Furthermore, Projectile Motion Using Runge Kutta Methods books and manuals for download are incredibly convenient. With just a computer or smartphone and an internet connection, you can access a vast library of resources on any subject imaginable. Whether you're a student looking for textbooks, a professional seeking industry-specific manuals, or someone interested in self-improvement, these digital resources provide an efficient and accessible means of acquiring knowledge. Moreover, PDF books and manuals offer a range of benefits compared to other digital formats. PDF files are designed to retain their formatting regardless of the device used to open them. This ensures that the content appears exactly as intended by the author, with no loss of formatting or missing graphics. Additionally, PDF files can be easily annotated, bookmarked, and searched for specific terms, making them highly practical for studying or referencing. When it comes to accessing Projectile Motion Using Runge Kutta Methods books and manuals, several platforms offer an extensive collection of resources. One such platform is Project Gutenberg, a nonprofit organization that provides over 60,000 free eBooks. These books are primarily in the public domain, meaning they can be freely distributed and downloaded. Project Gutenberg offers a wide range of classic literature, making it an excellent resource for literature enthusiasts. Another popular platform for Projectile Motion Using Runge Kutta Methods books and manuals is Open Library. Open Library is an initiative of the Internet Archive, a non-profit organization dedicated to digitizing cultural artifacts and making them accessible to the public. Open Library hosts millions of books, including both public domain works and contemporary titles. It also allows users to borrow digital copies of certain books for a limited period, similar to a library lending system. Additionally, many universities and educational institutions have their own digital libraries that provide free access to PDF books and manuals. These libraries often offer academic texts, research papers, and technical manuals, making them invaluable resources for students.

and researchers. Some notable examples include MIT OpenCourseWare, which offers free access to course materials from the Massachusetts Institute of Technology, and the Digital Public Library of America, which provides a vast collection of digitized books and historical documents. In conclusion, Projectile Motion Using Runge Kutta Methods books and manuals for download have transformed the way we access information. They provide a cost-effective and convenient means of acquiring knowledge, offering the ability to access a vast library of resources at our fingertips. With platforms like Project Gutenberg, Open Library, and various digital libraries offered by educational institutions, we have access to an ever-expanding collection of books and manuals. Whether for educational, professional, or personal purposes, these digital resources serve as valuable tools for continuous learning and self-improvement. So why not take advantage of the vast world of Projectile Motion Using Runge Kutta Methods books and manuals for download and embark on your journey of knowledge?

FAQs About Projectile Motion Using Runge Kutta Methods Books

What is a Projectile Motion Using Runge Kutta Methods PDF? A PDF (Portable Document Format) is a file format developed by Adobe that preserves the layout and formatting of a document, regardless of the software, hardware, or operating system used to view or print it. **How do I create a Projectile Motion Using Runge Kutta Methods PDF?** There are several ways to create a PDF: Use software like Adobe Acrobat, Microsoft Word, or Google Docs, which often have built-in PDF creation tools. Print to PDF: Many applications and operating systems have a "Print to PDF" option that allows you to save a document as a PDF file instead of printing it on paper. Online converters: There are various online tools that can convert different file types to PDF. **How do I edit a Projectile Motion Using Runge Kutta Methods PDF?** Editing a PDF can be done with software like Adobe Acrobat, which allows direct editing of text, images, and other elements within the PDF. Some free tools, like PDFescape or Smallpdf, also offer basic editing capabilities. **How do I convert a Projectile Motion Using Runge Kutta Methods PDF to another file format?** There are multiple ways to convert a PDF to another format: Use online converters like Smallpdf, Zamzar, or Adobe Acrobats export feature to convert PDFs to formats like Word, Excel, JPEG, etc. Software like Adobe Acrobat, Microsoft Word, or other PDF editors may have options to export or save PDFs in different formats. **How do I password-protect a Projectile Motion Using Runge Kutta Methods PDF?** Most PDF editing software allows you to add password protection. In Adobe Acrobat, for instance, you can go to "File" -> "Properties" -> "Security" to set a password to restrict access or editing capabilities. Are there any free alternatives to Adobe Acrobat for working with PDFs? Yes, there are many free alternatives for working with PDFs, such as: LibreOffice: Offers PDF editing features. PDFsam: Allows splitting, merging, and editing PDFs. Foxit Reader: Provides basic PDF viewing and editing capabilities. How do I compress a PDF file? You can use online tools like Smallpdf, ILovePDF, or desktop software like Adobe

Acrobat to compress PDF files without significant quality loss. Compression reduces the file size, making it easier to share and download. Can I fill out forms in a PDF file? Yes, most PDF viewers/editors like Adobe Acrobat, Preview (on Mac), or various online tools allow you to fill out forms in PDF files by selecting text fields and entering information. Are there any restrictions when working with PDFs? Some PDFs might have restrictions set by their creator, such as password protection, editing restrictions, or print restrictions. Breaking these restrictions might require specific software or tools, which may or may not be legal depending on the circumstances and local laws.

Find Projectile Motion Using Runge Kutta Methods :

tips America 78-2322 machine learning basics tips America 78-2918
[78-1402 career growth examples for creators](#) [78-2418 career growth](#)
[apps America 78-2799 parenting tips apps USA 78-1254 parenting tips apps](#)
[checklist United States 78-2106 YouTube growth checklist for](#)
[78-2954 stock market examples United States 78-1159 stock market](#)
[USA 78-2844 coding for beginners ideas for entrepreneurs 78-385 coding](#)
[marketing tools America 78-2979 AI marketing tools USA 78-1757 AI](#)
[78-1978 data science careers software for small business 78-2220 data](#)
examples for entrepreneurs 78-606 AI marketing examples for small
[mental wellness tips for entrepreneurs 78-481 mental wellness tools](#)
app ideas case study for startups 78-1792 mobile app ideas comparison
[business 78-2776 productivity hacks tutorial for small business 78-2994](#)
[78-1846 minimalist lifestyle roadmap for startups 78-1993 minimalist](#)
78-1700 AI marketing explained United States 78-2257 AI marketing for
America 78-1073 minimalist lifestyle for beginners for creators 78-2540

Projectile Motion Using Runge Kutta Methods :

[learn german by reading dystopian sci fi smashwords](#) - May 22 2022
web learn german by reading dystopian sci fi lesend englisch lernen mit einem dystopischen science fiction roman 1 german
edition 5 0 4 0 0 comments
learn german by reading dystopian sci fi kobo com - Jan 30 2023

web learn german by reading dystopian sci fi zales dima educational mozaika 9781631422713 books amazon ca
englisch lernen mit einem dystopischen science fiction - Jan 18 2022

web buy learn german by reading dystopian sci fi by zales dima educational mozaika isbn 9781631422713 from amazon s
book store everyday low prices and free

learn german by reading dystopian sci fi amazon com - Apr 01 2023

web learn german by reading dystopian sci fi 2017 mozaika publications english 583 print pages ratings 3 borrow by anna
zaires do you want to master german do

learn german by reading dystopian sci fi reading and - Mar 20 2022

web please read the rules first thank you this is a list for dystopian novels that so far have only or firstly appeared in the
german language you can add your book at any time if

learn german by reading dystopian sci fi paperback - Nov 27 2022

web learn german by reading dystopian sci fi on amazon com free shipping on qualifying offers learn german by reading
dystopian sci fi

german dystopian novels deutschsprachige dystopien 112 - Feb 16 2022

web englisch lernen mit einem dystopischen science fiction roman learn english for german speakers dystopian sci fi 1 ebook
zales dima educational mozaika

learn german by reading dystopian sci fi by anna - Aug 05 2023

web we introduce a one of a kind learning tool that will enhance your reading comprehension improve your german
vocabulary and grammar and let you enjoy reading a dystopian

learn german by reading dystopian sci fi zales dima - Dec 29 2022

web mar 12 2017 learn german by reading dystopian sci fi zales dima educational mozaika 9781631422102 books amazon
ca

learn german by reading dystopian sci fi amazon com - Sep 06 2023

web aug 23 2017 we introduce a one of a kind learning tool that will enhance your reading comprehension improve your
german vocabulary and grammar and let you enjoy

learn german by reading dystopian sci fi paperback - Dec 17 2021

learn german by reading dystopian sci fi audible audio - Aug 25 2022

web mar 23 2017 we introduce a one of a kind learning tool that will enhance your reading comprehension improve your
german vocabulary and grammar and let you enjoy

learn german by anna zaires overdrive - Jul 24 2022

web we introduce a one of a kind learning tool that will enhance your comprehension improve your german vocabulary and grammar and let you enjoy a dystopian sci fi novel from

[learn german by reading dystopian sci fi goodreads](#) - Jul 04 2023

web rakuten kobo dan anna zaires tarafından learn german by reading dystopian sci fi lesend englisch lernen mit einem dystopischen science fiction roman 1 kitabını

learn german by reading dystopian sci fi google books - Oct 07 2023

web we introduce a one of a kind learning tool that will enhance your reading comprehension improve your german vocabulary and grammar and let you enjoy reading a dystopian

learn german book summary reviews z lib - Apr 20 2022

web reading and listening learn german by reading dystopian sci fi with pdf ebooks and audiobooks for free

learn german by reading dystopian sci fi paperback - Sep 25 2022

web learn german by reading dystopian sci fi audible audio edition dima zales mozaika educational roberto scarlato roland wolf mozaika publications amazon ca

learn german by reading dystopian sci fi hoopla - Feb 28 2023

web read learn german by reading dystopian sci fi lesend englisch lernen mit einem dystopischen science fiction roman 1 by anna zaires available from rakuten kobo

learn german by reading dystopian sci fi unabridged - May 02 2023

web we introduce a one of a kind learning tool that will enhance your comprehension improve your german vocabulary and grammar and let you enjoy a dystopian sci fi novel from

learn german by reading dystopian sci fi paperback - Oct 27 2022

web learn german by reading dystopian sci fi zales dima educational mozaika amazon com au books

learn german by reading dystopian sci fi hoopla - Jun 22 2022

web mar 23 2017 do you want to master german do you like science fiction what about dystopian worlds are you tired of reading boring textbooks in order to learn german

[learn german by reading dystopian sci fi kobo com](#) - Jun 03 2023

web mar 2 2017 from a new york times and usa today best selling author comes a new kind of textbook do you want to master german do you like science fiction what about

denso of the stick arts of takamatsu toshitsugu 2022 - Aug 31 2022

web tengu denso of the stick arts of takamatsu toshitsugu yokuoh and ueno takashi chosuaia review of historical documents

regarding the short stick in japanese martial arts by two masters takamatsu toshitsugu and ueno takashi both taught
japanese short staff techniques this work shows their actual densho

densho of the stick arts of takamatsu toshitsugu vps huratips - Nov 02 2022

web jukendo and tankendo kata densho of the stick arts of takamatsu toshitsugu yokuoh and ueno takashi chosua review of
historical documents regarding the short stick in japanese martial arts by two masters takamatsu toshitsugu and ueno
takashi both taught japanese short staff techniques

itookashi one shot myanimelist net - Feb 22 2022

web dec 26 2018 looking for information on the manga itookashi find out more with myanimelist the world s most active
online anime and manga community and database

densho of the stick arts of takamatsu toshitsugu pdf - Jul 30 2022

web glimpse at the hidden potential of the martial arts one where the practitioner can embrace transcendence and
transformation in order to face all the fears that litter life and also life s most fearsome opponent death densho of the stick
arts of takamatsu toshitsugu yokuoh and ueno takashi chosui todd schweinhart 2019 07 09

densho of the stick arts of takamatsu toshitsugu yokuoh and - Jul 10 2023

web densho of the stick arts of takamatsu toshitsugu yokuoh and ueno takashi chosui short stick fighting schweinhart todd
amazon sg books

densho of the stick arts of takamatsu toshitsugu ueno - May 08 2023

web a review of historical documents regarding the short stick in japanese martial arts by two masters takamatsu toshitsugu
and ueno takashi both taught japanese short staff techniques this work shows their actual densho transmission books along
with a translation of the content

densho of the stick arts of takamatsu toshitsugu pdf - Apr 07 2023

web densho of the stick arts of takamatsu toshitsugu a series of pamphlets on the doctrines of the gospel feb 13 2021 the bad
mood and the stick mar 09 2023 new york times bestselling author lemony snicket sheds light on the way bad moods come
and go once there was a bad mood and a stick the stick appeared when a tree dropped it

densho of the stick arts of takamatsu toshitsugu 2023 - Mar 26 2022

web classical fighting arts of japan densho of the stick arts of takamatsu toshitsugu downloaded from renewalcc com by
guest rory brock ancient okinawan martial arts volume 1 tuttle publishing ten years of hand to hand combat spurred moshe
feldenkrais to publish jiu jitsu and self

densho of the stick arts of takamatsu toshitsugu yokuoh - Aug 11 2023

web a review of historical documents regarding the short stick in japanese martial arts by two masters takamatsu toshitsugu

and ueno takashi both taught japanese short staff techniques this work shows their actual densho transmission books along with a translation of the content

densho of the stick arts of takamatsu toshitsugu checkin - May 28 2022

web densho of the stick arts of takamatsu toshitsugu finding moon rabbit the book of ninja secrets from the ninja grandmaster densho of the stick arts of takamatsu toshitsugu yokuoh and ueno takashi chosui budo training in aikido banke shinobi no den study and training riding the tiger s tail tengu mano y mano 25 shōtō kan

densho of the stick arts of takamatsu toshitsugu yokuoh and - Jun 09 2023

web jul 9 2019 4 5 out of 5 stars paperback 9 july 2019 15 97 15 97 a review of historical documents regarding the short stick in japanese martial arts by two masters takamatsu toshitsugu and ueno takashi both taught japanese short staff techniques

densho of the stick arts of takamatsu toshitsugu yokuoh and - Mar 06 2023

web takamatsu toshitsugu and ueno takashi both taught japanese short staff techniques this work shows their actual densho transmission books along with a translation of the content other arts are also reviewed along with the respective historical documents

densho of the stick arts of takamatsu toshitsugu - Jan 04 2023

web understanding of the role of art in the international 1960s and of the dynamics of art and policing in japan 2022 explores the spirit of stick fighting revealing many secrets advanced techniques and dealing with the various techniques unique to long sticks written by the grandmaster of the togakure ryu school of

densho of the stick arts of takamatsu toshitsugu yokuoh and - Feb 05 2023

web fishpond australia densho of the stick arts of takamatsu toshitsugu yokuoh and ueno takashi chosui short stick fighting by todd schweinhartbuy books online densho of the stick arts of takamatsu toshitsugu yokuoh and ueno takashi chosui short stick fighting 2019 fishpond com au

densho of the stick arts of takamatsu toshitsugu 2023 - Apr 26 2022

web densho of the stick arts of takamatsu toshitsugu 3 3 court based upon painstaking research we hereby refuse presents an original vision of america s past with disturbing links to the american present the complete martial arts of japan volume one createspace looks at the history of the ninja and their martial arts demonstrates the

densho of the stick arts of takamatsu toshitsugu 2022 - Jun 28 2022

web invisibility to kuji warrior spirituality as opposed to art or sport this important volume is now available once again through paladin press with new introductions by both authors an all new

densho of the stick arts of takamatsu toshitsugu 2023 - Oct 13 2023

web explores the spirit of stick fighting revealing many secrets advanced techniques and dealing with the various techniques unique to long sticks written by the grandmaster of the togakure ryu school of ninjutsu this book

[densho of the stick arts of takamatsu toshitsugu yokuoh and alibris](#) - Dec 03 2022

web a review of historical documents regarding the short stick in japanese martial arts by two masters takamatsu toshitsugu and ueno takashi both taught japanese short staff techniques this work shows their actual densho transmission books along with a translation of the content

densho of the stick arts of takamatsu toshitsugu yokuoh and - Sep 12 2023

web jul 9 2019 a review of historical documents regarding the short stick in japanese martial arts by two masters takamatsu toshitsugu and ueno takashi both taught japanese short staff techniques this work shows their actual densho transmission books along with a translation of the content

[densho of the stick arts of takamatsu toshitsugu download](#) - Oct 01 2022

web densho of the stick arts of takamatsu toshitsugu ninja and their secret fighting art nov 17 2021 look past the legends and learn about the real ninjas of feudal japan with this entertaining illustrated ninjutsu guide ninjutsu the least understood of the japanese martial arts is an ancient fighting style

darksiders ii death s door locations darksiders wiki fandom - Aug 09 2022

web this category is for locations appearing in the comic darksiders ii death s door

darksiders wikipedia - Sep 10 2022

web a prequel novel set before the events of darksiders and darksiders ii titled darksiders the abomination vault was released in 2012 it was followed by a digital first prequel comic series titled darksiders ii death s door later the same year hunt showdown was originally intended to be a spiritual successor to darksiders references

death darksiders wiki fandom - Mar 04 2022

web interesting enough in the death s door comic when death goes to earth he chooses to appear as the traditional grim reaper saying that humans recognize and fear that look the chosen look for death is very similar to raziel in legacy of kain soul reaver

darksiders ii death s door by andrew kreisberg 9781621155874 - Dec 13 2022

web delving into the days before the apocalypse darksiders ii death s door is a pivotal contribution to the world of the game created in collaboration with

darksiders ii death s door 1 digital exclusive - Aug 21 2023

web darksiders ii death s door 1 digital exclusive death s mission to slay a rogue demon is just starting out but first he must acquire a replacement for his scythe which he is forbidden to use on earth without permission in an underworld black market

he strikes a deal a leviathan s tongue for a new weapon

darksiders 2 death s door summed up story summary - Jun 07 2022

web aug 15 2018 0 00 4 46 darksiders 2 death s door summed up story summary lore logs 3 3k subscribers subscribe 13k views 4 years ago the four horsemen of the apocalypse are the loyal enforcers of the

darksiders ii 1 death s door part 1 issue comic vine - Oct 11 2022

web jul 8 2012 the angel abaddon requests death s assistance in slaying a demon on earth but without the charred council s sanctioning the mission he can t use his scythe and so he goes to the creation s

darksiders ii death s door 2 by andrew kreisberg goodreads - May 06 2022

web oct 7 2015 4 15 13 ratings3 reviews to begin his hunt for a rogue demon death must ask a favor of the horsemaster to open a portal to earth but in doing so memories of the four horsemen as fledglings emerge in a revealing flashback witness the taming of death s horse despair exclusive to the dark horse digital store

darksiders ii death s door 2 digital exclusive - May 18 2023

web jul 25 2012 darksiders ii death s door 2 digital exclusive to begin his hunt for a rogue demon death must ask a favor of the horsemaster to open a portal to earth but in doing so memories of the four horsemen as fledglings emerge

darksiders ii death s door volume 1 hc dark horse comics - Sep 22 2023

web darksiders ii death s door volume 1 hc delving into the days before the apocalypse darksiders ii death s door is a pivotal contribution to the world of the anticipated new game created in collaboration with joe madureira s vigil games this original story follows death one of the four horsemen of the apocalypse on a mission to

darksiders ii death s door 3 digital exclusive - Mar 16 2023

web darksiders ii death s door 3 digital exclusive as he travels further into the depths of the plague ridden city he calls to the souls of the dead and confronts the one who would harm the kingdom of man

darksiders ii death s door volume comic vine - Jul 20 2023

web oct 11 2023 created in collaboration with joe madureira s vigil games this original story follows death one of the four horsemen of the apocalypse on a mission to destroy a rogue demon

darksiders ii death s door 2 kindle comixology amazon com - Apr 05 2022

web oct 7 2015 darksiders ii death s door 2 kindle edition by kreisberg andrew robinson roger download it once and read it on your kindle device pc phones or tablets use features like bookmarks note taking and highlighting while reading darksiders ii death s door 2

darksiders ii death s door google play - Feb 15 2023

web delving into the days before the apocalypse darksiders ii death s door is a pivotal contribution to the world of the game

created in collaboration with joe madureira s vigil games this

[death s door out now on pc xbox series s x xbox one](#) - Feb 03 2022

web influencers reaping souls of the dead and punching a clock might get monotonous but it s honest work for a crowd the job gets lively when your assigned soul is stolen and you must track down a desperate thief to a realm untouched by death where creatures grow far past their expiry and overflow with greed and power

darksiders ii death s door amazon com - Jun 19 2023

web jan 1 2013 darksiders ii death s door is a story of death s journey to track down a demon that slew several angels and fled to earth in the process of this he deals with several interesting characters some from the games some not to prepare himself along with slaying the leviathan itself for a weapon he can use

[darksiders ii death s door characters](#) - Dec 01 2021

web darksiders ii death s door characters category page edit edit source view history talk 0 trending pages death abandon vulgrim makhala the horsemaster all darksiders wiki is a fandom games community view mobile site follow on ig

darksiders ii death s door darksiders wiki fandom - Oct 23 2023

web darksiders ii death s door is a five issue prequel comic series to darksiders ii at first it was available exclusively at the dark horse digital store however it was later released as a standalone book death s mission to slay a rogue demon is just starting out but first he must acquire a

[darksiders ii death s door by andrew kreisberg various ebook](#) - Jul 08 2022

web dec 18 2012 delving into the days before the apocalypse darksiders ii death s door is a pivotal contribution to the world of the game created in collaboration with joe madureira s vigil games this original story follows death one of the four horsemen of the apocalypse on a mission to destroy a rogue demon

darksiders ii death s door 1 kindle comixology amazon com - Apr 17 2023

web oct 6 2015 darksiders ii death s door 1 kindle edition by kreisberg andrew robinson roger download it once and read it on your kindle device pc phones or tablets use features like bookmarks note taking and highlighting while reading darksiders ii death s door 1

[darksiders ii death s door by andrew kreisberg goodreads](#) - Nov 12 2022

web feb 2 2006 delving into the days before the apocalypse darksiders ii death s door is a pivotal contribution to the world of the anticipated new game created in collaboration with joe madureira s vigil games this original story follows death one of the four horsemen of the apocalypse on a mission to destroy a rogue demon

[darksiders ii death s door kindle comixology amazon com](#) - Jan 02 2022

web dec 18 2012 delving into the days before the apocalypse darksiders ii death s door is a pivotal contribution to the world

of the game created in collaboration with joe madureira s vigil games this original story follows death one of the four horsemen of the apocalypse on a mission to destroy a rogue demon

darksiders ii death s door kobo com - Jan 14 2023

web delving into the days before the apocalypse darksiders ii death s door is a pivotal contribution to the world of the game created in collaboration with joe madureira s vigil games this original story follows death one of the four horsemen of the apocalypse on a mission to destroy a rogue demon