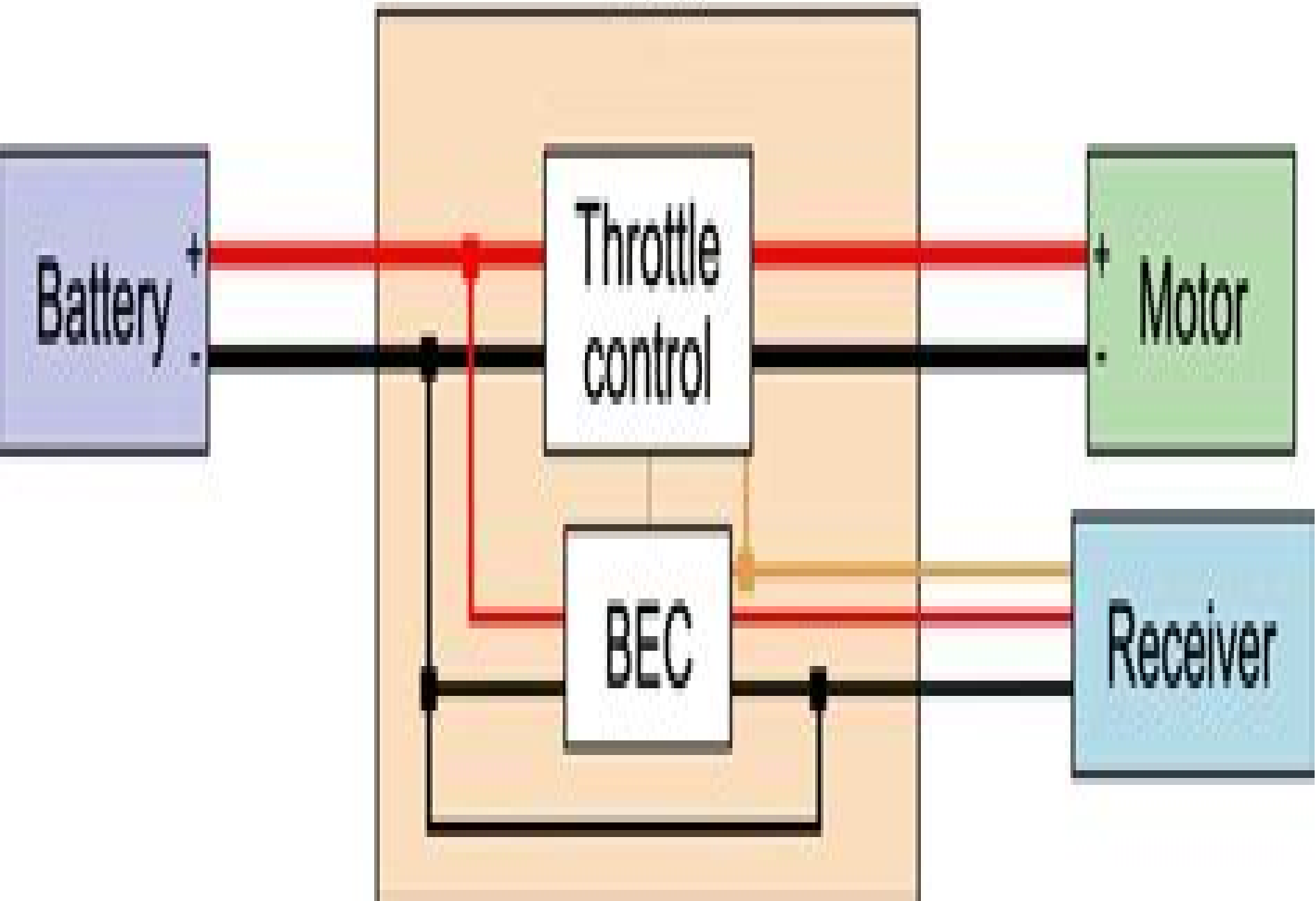


ESC



E Speed Controller Esc Please Note Wiring

DP Hallahan



E Speed Controller Esc Please Note Wiring:

Digital Circuit Design Laboratory Manual, 4th edition (Global) Akhan Almagambetov, J. Matt Pavlina, Yelena Mukhortova, Springer Handbook of Automation Shimon Y. Nof, 2023-06-16 This handbook incorporates new developments in automation It also presents a widespread and well structured conglomeration of new emerging application areas such as medical systems and health transportation security and maintenance service construction and retail as well as production or logistics The handbook is not only an ideal resource for automation experts but also for people new to this expanding field

Laser Propulsion in Space Claude Phipps, 2024-06-04 Space launches have evoked the same vivid image for decades bright orange flames exploding beneath a rocket as it lifts off and thunders into the sky An alternative acceleration system could reshape that vision forever with rockets leaving their energy source on the ground or in space Laser Propulsion in Space Fundamentals Technology and Future Missions takes readers on a comprehensive journey from the theoretical overview of propulsion fundamentals to reviews of current projects involving high power CW fiber lasers and energetic mm wave sources with their ongoing and potential end use applications in beamed energy propulsion BEP Written by experts in the field this mathematically sound reference text also highlights graphical solutions of equations results as well as case studies with worked out examples making this book an invaluable compendium for students researchers technology developers and futurists in understanding the promise and challenges of this emerging technology Covers beamed energy propulsion advances Highlights state of the art BEP applications of LEO debris removal suborbital and orbital launch solar system exploration and interstellar lightsail probes as well as advances in related photon source technologies and infrastructures Includes opinion sections explaining why we as a technical society should care about each chapter s topic and the considerably good outcomes that can be achieved with laser engines Is accompanied by a website with video clips and other ancillary materials to enhance insight [Arduino in Action](#) Jordan Hochenbaum, Joshua Noble, Martin Evans, 2013-05-29 Summary Arduino in Action is a hands on guide to prototyping and building electronics using the Arduino platform Suitable for both beginners and advanced users this easy to follow book begins with the basics and then systematically guides you through projects ranging from your first blinking LED through connecting Arduino to devices like game controllers or your iPhone About the Technology Arduino is an open source do it yourself electronics platform that supports a mind boggling collection of sensors and actuators you can use to build anything you can imagine Even if you ve never attempted a hardware project this easy to follow book will guide you from your first blinking LED through connecting Arduino to your iPhone About this Book Arduino in Action is a hands on guide to prototyping and building DIY electronics You ll start with the basics unpacking your board and using a simple program to make something happen Then you ll attempt progressively more complex projects as you connect Arduino to motors LCD displays Wi Fi GPS and Bluetooth You ll explore input output sensors including ultrasound infrared and light and then use them for tasks like robotic obstacle avoidance

Arduino programs look a lot like C or C++ so some programming skill is helpful What's Inside Getting started with Arduino no experience required Writing programs for Arduino Sensing and responding to events Robots flying vehicles Twitter machines LCD displays and more Purchase of the print book includes a free eBook in PDF Kindle and ePub formats from Manning Publications About the Authors Martin Evans is a professional developer a lifelong electronics enthusiast and the creator of an Arduino based underwater ROV Joshua Noble is an author and creative technologist who works with smart spaces Jordan Hochenbaum uses Arduino to explore musical expression and creative interaction Table of Contents Part 1 Getting started Chapter 1 Hello Arduino Chapter 2 Digital input and output Chapter 3 Simple projects input and output Part 2 Putting Arduino to work Chapter 4 Extending Arduino Chapter 5 Arduino in motion Chapter 6 Object detection Chapter 7 LCD displays Chapter 8 Communications Chapter 9 Game on Chapter 10 Integrating the Arduino with iOS Chapter 11 Making wearables Chapter 12 Adding shields Chapter 13 Software integration **Chilton's General Motors**

Cavalier/Sunbird/Skyhawk/Firenza 1982-94 Repair Manual Matthew E. Frederick,1999 *Internet of Drones* Saravanan Krishnan,M. Murugappan,2023-05-15 This book covers different aspects of Internet of Drones IoD including fundamentals in drone design deployment challenges and development of applications It starts with a detailed description of concepts and processes in designing an efficient system and architecture It details different applications of IoD and its implementations in smart cities agriculture health care defense security logistics GIS mapping and so forth Recent developments in IoD design application of AI techniques case studies and future directions are covered Features Focuses on important perspectives of the Internet of Drones IoD Emphasizes drone deployment in smart cities smart agriculture smart health care and 3D mapping Covers challenges in drone design for applications with security and privacy issues Reviews diversified drone applications with real use cases from modern drone players ranging from start up companies to big giants in the drone industry Includes different aspects of drone design such as hardware and software architecture potential applications and opportunities This book is aimed at researchers and professionals in computer sciences electronics and communication engineering and aeronautical engineering **Chilton's Auto Repair Manual 1989-1993** ,1992-10

Documents specifications repairs and servicing procedures for individual models and provides information on component repair and overhaul *Chilton's Repair Manual* Dean Morgantini,Richard J. Rivele,1991 [Chilton's Auto Repair Manual, 1991](#) Chilton Book Company,1990 *Chilton's Auto Repair Manual 1982* Alan F. Turner,1981 **Chilton's GM** ,1996 Covers all models of Cadillac Cimarron Chevrolet Cavalier Buick Skyhawk Oldsmobile Firenza and Pontiac 2000 Sunbird Sunfire **Automotive Computers and Digital Instrumentation** Robert N. Brady,1988 *Chilton's Auto Repair Manual 1986* Chilton Book Company,1985 *GM Celebrity, Century, Ciera and 6000, 1982-96* Chilton,Np-Chilton,1999-03 Offers do it yourselves all levels of total maintenance service and repair information for these popular GM models 800 illustrations 500 photos *Popular Electronics* ,1976 [Commerce Business Daily](#) ,1998-07 **Radio-electronics** ,1976 **Electronic**

Design ,1985

Air Trails Pictorial ,1963

The Federal Cases ,1897

The Enigmatic Realm of **E Speed Controller Esc Please Note Wiring**: Unleashing the Language is Inner Magic

In a fast-paced digital era where connections and knowledge intertwine, the enigmatic realm of language reveals its inherent magic. Its capacity to stir emotions, ignite contemplation, and catalyze profound transformations is nothing in short supply of extraordinary. Within the captivating pages of **E Speed Controller Esc Please Note Wiring** a literary masterpiece penned by way of a renowned author, readers embark on a transformative journey, unlocking the secrets and untapped potential embedded within each word. In this evaluation, we shall explore the book's core themes, assess its distinct writing style, and delve into its lasting effect on the hearts and minds of those that partake in its reading experience.

https://py.bijouxmedusa.com/book/detail/Download_PDFS/Entrepreneurs_44_1873_Online_Business_Roadmap_United_States_44_252.pdf

Table of Contents E Speed Controller Esc Please Note Wiring

1. Understanding the eBook E Speed Controller Esc Please Note Wiring
 - The Rise of Digital Reading E Speed Controller Esc Please Note Wiring
 - Advantages of eBooks Over Traditional Books
2. Identifying E Speed Controller Esc Please Note Wiring
 - Exploring Different Genres
 - Considering Fiction vs. Non-Fiction
 - Determining Your Reading Goals
3. Choosing the Right eBook Platform
 - Popular eBook Platforms
 - Features to Look for in an E Speed Controller Esc Please Note Wiring
 - User-Friendly Interface
4. Exploring eBook Recommendations from E Speed Controller Esc Please Note Wiring
 - Personalized Recommendations
 - E Speed Controller Esc Please Note Wiring User Reviews and Ratings

- E Speed Controller Esc Please Note Wiring and Bestseller Lists
- 5. Accessing E Speed Controller Esc Please Note Wiring Free and Paid eBooks
 - E Speed Controller Esc Please Note Wiring Public Domain eBooks
 - E Speed Controller Esc Please Note Wiring eBook Subscription Services
 - E Speed Controller Esc Please Note Wiring Budget-Friendly Options
- 6. Navigating E Speed Controller Esc Please Note Wiring eBook Formats
 - ePub, PDF, MOBI, and More
 - E Speed Controller Esc Please Note Wiring Compatibility with Devices
 - E Speed Controller Esc Please Note Wiring Enhanced eBook Features
- 7. Enhancing Your Reading Experience
 - Adjustable Fonts and Text Sizes of E Speed Controller Esc Please Note Wiring
 - Highlighting and Note-Taking E Speed Controller Esc Please Note Wiring
 - Interactive Elements E Speed Controller Esc Please Note Wiring
- 8. Staying Engaged with E Speed Controller Esc Please Note Wiring
 - Joining Online Reading Communities
 - Participating in Virtual Book Clubs
 - Following Authors and Publishers E Speed Controller Esc Please Note Wiring
- 9. Balancing eBooks and Physical Books E Speed Controller Esc Please Note Wiring
 - Benefits of a Digital Library
 - Creating a Diverse Reading Collection E Speed Controller Esc Please Note Wiring
- 10. Overcoming Reading Challenges
 - Dealing with Digital Eye Strain
 - Minimizing Distractions
 - Managing Screen Time
- 11. Cultivating a Reading Routine E Speed Controller Esc Please Note Wiring
 - Setting Reading Goals E Speed Controller Esc Please Note Wiring
 - Carving Out Dedicated Reading Time
- 12. Sourcing Reliable Information of E Speed Controller Esc Please Note Wiring
 - Fact-Checking eBook Content of E Speed Controller Esc Please Note Wiring
 - Distinguishing Credible Sources

13. Promoting Lifelong Learning
 - Utilizing eBooks for Skill Development
 - Exploring Educational eBooks
14. Embracing eBook Trends
 - Integration of Multimedia Elements
 - Interactive and Gamified eBooks

E Speed Controller Esc Please Note Wiring Introduction

Free PDF Books and Manuals for Download: Unlocking Knowledge at Your Fingertips In today's fast-paced digital age, obtaining valuable knowledge has become easier than ever. Thanks to the internet, a vast array of books and manuals are now available for free download in PDF format. Whether you are a student, professional, or simply an avid reader, this treasure trove of downloadable resources offers a wealth of information, conveniently accessible anytime, anywhere. The advent of online libraries and platforms dedicated to sharing knowledge has revolutionized the way we consume information. No longer confined to physical libraries or bookstores, readers can now access an extensive collection of digital books and manuals with just a few clicks. These resources, available in PDF, Microsoft Word, and PowerPoint formats, cater to a wide range of interests, including literature, technology, science, history, and much more. One notable platform where you can explore and download free E Speed Controller Esc Please Note Wiring PDF books and manuals is the internet's largest free library. Hosted online, this catalog compiles a vast assortment of documents, making it a veritable goldmine of knowledge. With its easy-to-use website interface and customizable PDF generator, this platform offers a user-friendly experience, allowing individuals to effortlessly navigate and access the information they seek. The availability of free PDF books and manuals on this platform demonstrates its commitment to democratizing education and empowering individuals with the tools needed to succeed in their chosen fields. It allows anyone, regardless of their background or financial limitations, to expand their horizons and gain insights from experts in various disciplines. One of the most significant advantages of downloading PDF books and manuals lies in their portability. Unlike physical copies, digital books can be stored and carried on a single device, such as a tablet or smartphone, saving valuable space and weight. This convenience makes it possible for readers to have their entire library at their fingertips, whether they are commuting, traveling, or simply enjoying a lazy afternoon at home. Additionally, digital files are easily searchable, enabling readers to locate specific information within seconds. With a few keystrokes, users can search for keywords, topics, or phrases, making research and finding relevant information a breeze. This efficiency saves time and effort, streamlining the learning process and allowing individuals to focus on extracting the information they need. Furthermore, the availability of free PDF books and manuals fosters a culture

of continuous learning. By removing financial barriers, more people can access educational resources and pursue lifelong learning, contributing to personal growth and professional development. This democratization of knowledge promotes intellectual curiosity and empowers individuals to become lifelong learners, promoting progress and innovation in various fields. It is worth noting that while accessing free E Speed Controller Esc Please Note Wiring PDF books and manuals is convenient and cost-effective, it is vital to respect copyright laws and intellectual property rights. Platforms offering free downloads often operate within legal boundaries, ensuring that the materials they provide are either in the public domain or authorized for distribution. By adhering to copyright laws, users can enjoy the benefits of free access to knowledge while supporting the authors and publishers who make these resources available. In conclusion, the availability of E Speed Controller Esc Please Note Wiring free PDF books and manuals for download has revolutionized the way we access and consume knowledge. With just a few clicks, individuals can explore a vast collection of resources across different disciplines, all free of charge. This accessibility empowers individuals to become lifelong learners, contributing to personal growth, professional development, and the advancement of society as a whole. So why not unlock a world of knowledge today? Start exploring the vast sea of free PDF books and manuals waiting to be discovered right at your fingertips.

FAQs About E Speed Controller Esc Please Note Wiring Books

1. Where can I buy E Speed Controller Esc Please Note Wiring books? Bookstores: Physical bookstores like Barnes & Noble, Waterstones, and independent local stores. Online Retailers: Amazon, Book Depository, and various online bookstores offer a wide range of books in physical and digital formats.
2. What are the different book formats available? Hardcover: Sturdy and durable, usually more expensive. Paperback: Cheaper, lighter, and more portable than hardcovers. E-books: Digital books available for e-readers like Kindle or software like Apple Books, Kindle, and Google Play Books.
3. How do I choose a E Speed Controller Esc Please Note Wiring book to read? Genres: Consider the genre you enjoy (fiction, non-fiction, mystery, sci-fi, etc.). Recommendations: Ask friends, join book clubs, or explore online reviews and recommendations. Author: If you like a particular author, you might enjoy more of their work.
4. How do I take care of E Speed Controller Esc Please Note Wiring books? Storage: Keep them away from direct sunlight and in a dry environment. Handling: Avoid folding pages, use bookmarks, and handle them with clean hands. Cleaning: Gently dust the covers and pages occasionally.
5. Can I borrow books without buying them? Public Libraries: Local libraries offer a wide range of books for borrowing.

- Book Swaps: Community book exchanges or online platforms where people exchange books.
6. How can I track my reading progress or manage my book collection? Book Tracking Apps: Goodreads, LibraryThing, and Book Catalogue are popular apps for tracking your reading progress and managing book collections. Spreadsheets: You can create your own spreadsheet to track books read, ratings, and other details.
 7. What are E Speed Controller Esc Please Note Wiring audiobooks, and where can I find them? Audiobooks: Audio recordings of books, perfect for listening while commuting or multitasking. Platforms: Audible, LibriVox, and Google Play Books offer a wide selection of audiobooks.
 8. How do I support authors or the book industry? Buy Books: Purchase books from authors or independent bookstores. Reviews: Leave reviews on platforms like Goodreads or Amazon. Promotion: Share your favorite books on social media or recommend them to friends.
 9. Are there book clubs or reading communities I can join? Local Clubs: Check for local book clubs in libraries or community centers. Online Communities: Platforms like Goodreads have virtual book clubs and discussion groups.
 10. Can I read E Speed Controller Esc Please Note Wiring books for free? Public Domain Books: Many classic books are available for free as they're in the public domain. Free E-books: Some websites offer free e-books legally, like Project Gutenberg or Open Library.

Find E Speed Controller Esc Please Note Wiring :

[entrepreneurs 44-1873 online business roadmap United States 44-252](#)
[services ideas United States 44-2435 VPN services review America 44-1084](#)
[44-2552 NFT marketplace tips USA 44-809 NFT marketplace tips for](#)
[interview tips step by step United States 44-2624 interview tips](#)
44-1740 retirement planning case study USA 44-244 retirement planning
[America 44-1030 digital marketing ideas for small business 44-940](#)
44-466 content marketing best practices USA 44-1327 content marketing
44-2067 startup funding trends United States 44-2781 startup funding
[entrepreneurs 44-551 parenting tips examples America 44-337 parenting](#)
wearable technology trends USA 44-428 wearable technology tutorial
[learning basics explained for entrepreneurs 44-1657 machine learning](#)
[ideas for startups 44-509 machine learning basics review USA 44-1978](#)

trends step by step America 44-684 ecommerce trends step by step America

business 44-1269 cybersecurity review for startups 44-1087 cybersecurity

44-242 NFT marketplace examples USA 44-1408 NFT marketplace examples USA

E Speed Controller Esc Please Note Wiring :

Convince Them in 90 Seconds or Less: Make Instant ... But he doesn't stop there. This book shows how to turn those instant connections into long-lasting, productive business relationships."—Marty Edelston, ... Convince Them in 90 Seconds or Less: Make Instant ... Convince Them in 90 Seconds or Less: Make Instant Connections That Pay Off in Business and in Life · Paperback · \$13.95. Convince Them in 90 Seconds or Less This book teaches you about the snap judgments that are made in those first few instants and how you can make them work to your advantage. Once you're past ... How to Persuade People in 90 Seconds or Less May 27, 2010 — "Just adjust to useful attitudes, as opposed to useless attitudes," he says. "Useful might be resourceful or welcoming, enthusiastic. Useless ... Convince Them in 90 Seconds Mar 11, 2021 — There are a number of rules to learn in order to establish a fruitful relationship. They are to make the other person talk, stay focused on what ... Book review: Convince them in 90 seconds Aug 31, 2010 — Successful leaders share three really useful attitudes. They're enthusiastic. They're curious. And they embrace humility, with a public persona ... Convince Them in 90 Seconds or Less Quotes It's much easier to be convincing if you care about your topic. Figure out what's important to you about your message and speak from the heart. Convince Them in 90 Seconds or Less: Make Instant ... May 26, 2010 — Convince Them in 90 Seconds or Less: Make Instant Connections That Pay Off in Business and in Life (Paperback). By Nicholas Boothman. \$13.95. Convince Them in 90 Seconds or Less: Make Instant ... May 26, 2010 — Whether you're selling, negotiating, interviewing, networking, or leading a team, success depends on convincing other people - and ... 2004 us national chemistry olympiad - local section exam Local Sections may use an answer sheet of their own choice. The full examination consists of 60 multiple-choice questions representing a fairly wide range of ... 2004 U. S. NATIONAL CHEMISTRY OLYMPIAD Part I of this test is designed to be taken with a Scantron® answer sheet on which the student records his or her responses. Only this. Scantron sheet is graded ... Organic-Chemistry-ACS-sample-Questions.pdf ACS Examination guide (Selected Questions). Organic Chemistry. Nomenclature. 1. What is the IUPAC names for this compound? a) 1-tert-butyl-2-butanol b) 5,5 ... National Norms | ACS Exams High School Exams · General Chemistry Exams · General Organic Biochemistry Exams · Analytical Chemistry Exams · Organic Chemistry Exams · Physical Chemistry Exams ... ACS Exams Questions: 70. Time: 110. Stock Code: OR16. Title: 2016 Organic Chemistry Exam - Exam for two-semester Organic Chemistry. Norm: View PDF. Questions: 70. Time: ... Acs Review 2004 | PDF Acs Review 2004 - Free ebook download as PDF File (.pdf) or read book online for free. Organic Chemistry 2004 ACS. ACS Exam Review 2004-4-23-21 - YouTube ACS Organic Chemistry I Final Exam Review Session -

YouTube Exam Archives: 3311 (OChem I) ACS organic chem final May 1, 2007 — I am taking my organic chem final next week. Its national exam written by ACS. Just wonder have any of you taken it before. How hard is it? Textbook 1 (National Curriculum Ginn ... - Amazon Buy Textbook 1 (National Curriculum Ginn Mathematics 6+ (Original Edition)) on Amazon.com □ FREE SHIPPING on qualified orders. National Curriculum Ginn Mathematics Textbook 1 Level 6 ... National Curriculum Ginn. Mathematics Textbook 1 Level. 6 National Curriculum Gin. Mathematics. We believe that everyone should have access to. National ... Textbook 1 (National Curriculum Ginn Mathematics) National Curriculum Ginn Mathematics 6: Textbook 1 (National Curriculum Ginn Mathematics) ; Publication date. April 1, 1992 ; ISBN-10. 0602251850 ; ISBN-13. 978- ... National Curriculum Ginn Mathematics Textbook 1 Level 6 ... National Curriculum Ginn Mathematics Year 6 Textbook 1: Textbook 1 Level 6 (NATIONAL GINN CURRICULUM MATHEMATICS). Book Binding:Paperback. 'National Curriculum Ginn Mathematics by National Curriculum Ginn Mathematics Year 6 Textbook2 (NATIONAL GINN CURRICULUM MATHEMATICS). by unknown. Condition: Used - Acceptable; Binding: Paperback ... National Curriculum Ginn Mathematics Year 6 Textbook2 ... National Curriculum Ginn Mathematics Year 6 Textbook2 (NATIONAL GINN CURRICULUM MATHEMATICS) - ISBN 10: 0602251869 - ISBN 13: 9780602251864 - Ginn - 1992 ... National Curriculum Textbooks: Maths (Year 6) This Maths textbook links directly to the National Curriculum and mixes clear accessible teaching with opportunities to talk about and practice key ... National Curriculum Ginn Mathematics: Textbook 1 Level 6 ... National Curriculum Ginn Mathematics: Textbook 1 Level 6 (NATIONAL GINN CURRICULUM MATHEMATICS) ... Textbook 1 Level 6 (NATIONAL GINN CURRICULUM MATHEMATICS). Mathematics programmes of study: key stages 1 and 2 The national curriculum for mathematics reflects the importance of spoken language in pupils' development across the whole curriculum - cognitively, socially ...