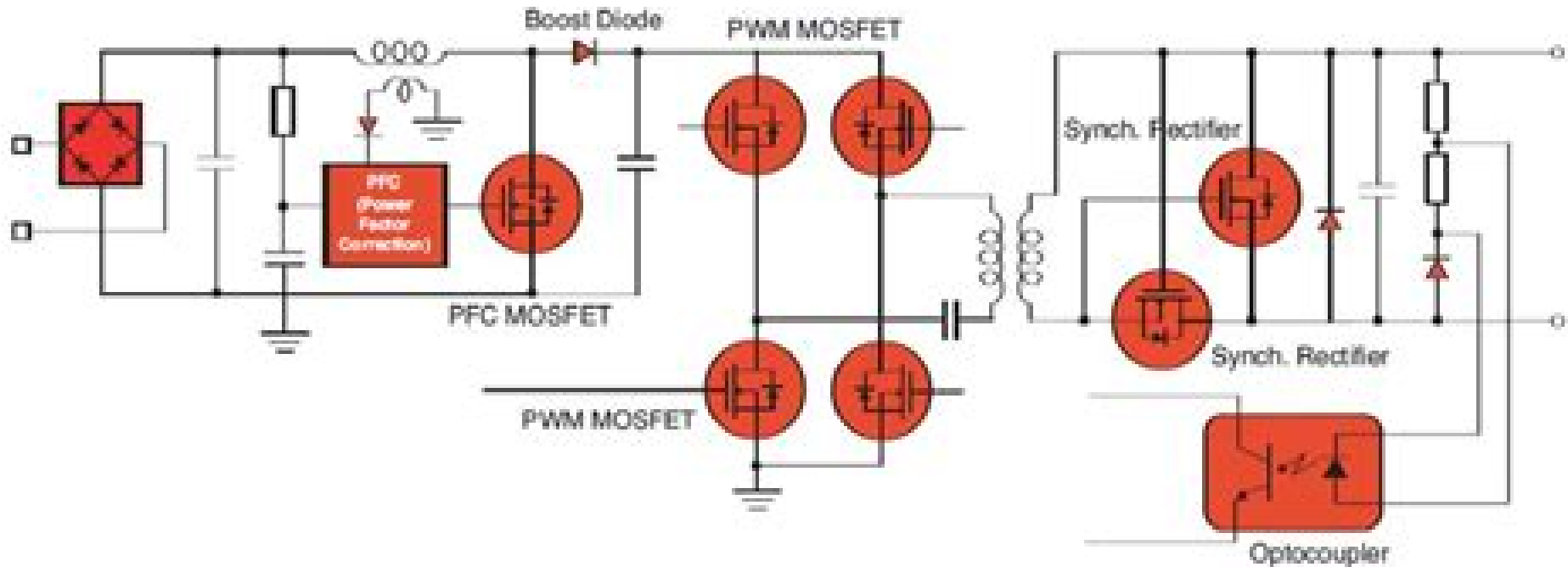


SMPS DESIGN GUIDE

500W Telecom/Server ZVS Phase-Shift Full Bridge Switch Mode Power Supply



Suggested Products

Bridge Rectifier	PFC IC	PFC MOSFET	Boost Diode	PWM MOSFET	Synch. Rectifier	Optocoupler
2KBP10M	ML4821	FQA24N50	ISL9R860	FGH18N50V2	FDPO60AN08A0	H11A817
GBU4M	FAN4810	FCP11N60	IRL9R1560	FQA24N50	FDPO47AN08A0	MOC819
GBU6M	FAN4822	FCP20N60	RHRP860	FDH27N50	FDP3652	
KB110		FDH44N50	RHRP1560	FDH44N50	FDP3632	
				FCP11N60	FGP90N10V2	
				FCP20N60		

Smps Design Guide

N Noddings



Smps Design Guide:

Immerse yourself in the artistry of words with Experience Art with its expressive creation, **Smmps Design Guide** . This ebook, presented in a PDF format (Download in PDF: *), is a masterpiece that goes beyond conventional storytelling. Indulge your senses in prose, poetry, and knowledge. Download now to let the beauty of literature and artistry envelop your mind in a unique and expressive way.

<https://py.bijouxmedusa.com/results/detail/HomePages/Characteristics%20Of%20Victorian%20Literature%20.pdf>

Table of Contents Smmps Design Guide

1. Understanding the eBook Smmps Design Guide
 - The Rise of Digital Reading Smmps Design Guide
 - Advantages of eBooks Over Traditional Books
2. Identifying Smmps Design Guide
 - Exploring Different Genres
 - Considering Fiction vs. Non-Fiction
 - Determining Your Reading Goals
3. Choosing the Right eBook Platform
 - Popular eBook Platforms
 - Features to Look for in an Smmps Design Guide
 - User-Friendly Interface
4. Exploring eBook Recommendations from Smmps Design Guide
 - Personalized Recommendations
 - Smmps Design Guide User Reviews and Ratings
 - Smmps Design Guide and Bestseller Lists
5. Accessing Smmps Design Guide Free and Paid eBooks
 - Smmps Design Guide Public Domain eBooks
 - Smmps Design Guide eBook Subscription Services
 - Smmps Design Guide Budget-Friendly Options

6. Navigating Smps Design Guide eBook Formats
 - ePub, PDF, MOBI, and More
 - Smps Design Guide Compatibility with Devices
 - Smps Design Guide Enhanced eBook Features
7. Enhancing Your Reading Experience
 - Adjustable Fonts and Text Sizes of Smps Design Guide
 - Highlighting and Note-Taking Smps Design Guide
 - Interactive Elements Smps Design Guide
8. Staying Engaged with Smps Design Guide
 - Joining Online Reading Communities
 - Participating in Virtual Book Clubs
 - Following Authors and Publishers Smps Design Guide
9. Balancing eBooks and Physical Books Smps Design Guide
 - Benefits of a Digital Library
 - Creating a Diverse Reading Collection Smps Design Guide
10. Overcoming Reading Challenges
 - Dealing with Digital Eye Strain
 - Minimizing Distractions
 - Managing Screen Time
11. Cultivating a Reading Routine Smps Design Guide
 - Setting Reading Goals Smps Design Guide
 - Carving Out Dedicated Reading Time
12. Sourcing Reliable Information of Smps Design Guide
 - Fact-Checking eBook Content of Smps Design Guide
 - Distinguishing Credible Sources
13. Promoting Lifelong Learning
 - Utilizing eBooks for Skill Development
 - Exploring Educational eBooks
14. Embracing eBook Trends
 - Integration of Multimedia Elements

- Interactive and Gamified eBooks

Smps Design Guide Introduction

Free PDF Books and Manuals for Download: Unlocking Knowledge at Your Fingertips In today's fast-paced digital age, obtaining valuable knowledge has become easier than ever. Thanks to the internet, a vast array of books and manuals are now available for free download in PDF format. Whether you are a student, professional, or simply an avid reader, this treasure trove of downloadable resources offers a wealth of information, conveniently accessible anytime, anywhere. The advent of online libraries and platforms dedicated to sharing knowledge has revolutionized the way we consume information. No longer confined to physical libraries or bookstores, readers can now access an extensive collection of digital books and manuals with just a few clicks. These resources, available in PDF, Microsoft Word, and PowerPoint formats, cater to a wide range of interests, including literature, technology, science, history, and much more. One notable platform where you can explore and download free Smps Design Guide PDF books and manuals is the internet's largest free library. Hosted online, this catalog compiles a vast assortment of documents, making it a veritable goldmine of knowledge. With its easy-to-use website interface and customizable PDF generator, this platform offers a user-friendly experience, allowing individuals to effortlessly navigate and access the information they seek. The availability of free PDF books and manuals on this platform demonstrates its commitment to democratizing education and empowering individuals with the tools needed to succeed in their chosen fields. It allows anyone, regardless of their background or financial limitations, to expand their horizons and gain insights from experts in various disciplines. One of the most significant advantages of downloading PDF books and manuals lies in their portability. Unlike physical copies, digital books can be stored and carried on a single device, such as a tablet or smartphone, saving valuable space and weight. This convenience makes it possible for readers to have their entire library at their fingertips, whether they are commuting, traveling, or simply enjoying a lazy afternoon at home. Additionally, digital files are easily searchable, enabling readers to locate specific information within seconds. With a few keystrokes, users can search for keywords, topics, or phrases, making research and finding relevant information a breeze. This efficiency saves time and effort, streamlining the learning process and allowing individuals to focus on extracting the information they need. Furthermore, the availability of free PDF books and manuals fosters a culture of continuous learning. By removing financial barriers, more people can access educational resources and pursue lifelong learning, contributing to personal growth and professional development. This democratization of knowledge promotes intellectual curiosity and empowers individuals to become lifelong learners, promoting progress and innovation in various fields. It is worth noting that while accessing free Smps Design Guide PDF books and manuals is convenient and cost-effective, it is vital to respect copyright laws and intellectual property rights. Platforms offering free downloads often operate within legal boundaries, ensuring that

the materials they provide are either in the public domain or authorized for distribution. By adhering to copyright laws, users can enjoy the benefits of free access to knowledge while supporting the authors and publishers who make these resources available. In conclusion, the availability of Smps Design Guide free PDF books and manuals for download has revolutionized the way we access and consume knowledge. With just a few clicks, individuals can explore a vast collection of resources across different disciplines, all free of charge. This accessibility empowers individuals to become lifelong learners, contributing to personal growth, professional development, and the advancement of society as a whole. So why not unlock a world of knowledge today? Start exploring the vast sea of free PDF books and manuals waiting to be discovered right at your fingertips.

FAQs About Smps Design Guide Books

What is a Smps Design Guide PDF? A PDF (Portable Document Format) is a file format developed by Adobe that preserves the layout and formatting of a document, regardless of the software, hardware, or operating system used to view or print it.

How do I create a Smps Design Guide PDF? There are several ways to create a PDF: Use software like Adobe Acrobat, Microsoft Word, or Google Docs, which often have built-in PDF creation tools. Print to PDF: Many applications and operating systems have a "Print to PDF" option that allows you to save a document as a PDF file instead of printing it on paper. Online converters: There are various online tools that can convert different file types to PDF.

How do I edit a Smps Design Guide PDF? Editing a PDF can be done with software like Adobe Acrobat, which allows direct editing of text, images, and other elements within the PDF. Some free tools, like PDFescape or Smallpdf, also offer basic editing capabilities.

How do I convert a Smps Design Guide PDF to another file format? There are multiple ways to convert a PDF to another format:

Use online converters like Smallpdf, Zamzar, or Adobe Acrobats export feature to convert PDFs to formats like Word, Excel, JPEG, etc. Software like Adobe Acrobat, Microsoft Word, or other PDF editors may have options to export or save PDFs in different formats.

How do I password-protect a Smps Design Guide PDF? Most PDF editing software allows you to add password protection. In Adobe Acrobat, for instance, you can go to "File" -> "Properties" -> "Security" to set a password to restrict access or editing capabilities. Are there any free alternatives to Adobe Acrobat for working with PDFs? Yes, there are many free alternatives for working with PDFs, such as:

LibreOffice: Offers PDF editing features. PDFsam: Allows splitting, merging, and editing PDFs. Foxit Reader: Provides basic PDF viewing and editing capabilities. How do I compress a PDF file?

You can use online tools like Smallpdf, ILovePDF, or desktop software like Adobe Acrobat to compress PDF files without significant quality loss. Compression reduces the file size, making it easier to share and download. Can I fill out forms in a PDF file? Yes, most PDF viewers/editors like Adobe Acrobat, Preview (on Mac), or various online tools allow you to fill out

forms in PDF files by selecting text fields and entering information. Are there any restrictions when working with PDFs? Some PDFs might have restrictions set by their creator, such as password protection, editing restrictions, or print restrictions. Breaking these restrictions might require specific software or tools, which may or may not be legal depending on the circumstances and local laws.

Find Smmps Design Guide :

characteristics of victorian literature

chapter 7 section 1 guided reading and review perfect competition answers

chapter 23 study guide answers

chemical bonding crossword puzzle answers

chevron texaco basic engineering stards chapamore

[chicago electrical code](#)

chapter 4 multivariate probability and statistics

chapter 22 section 1 the scientific revolution d reading answers

chemistry matter and change chapter 11 assessment answers

[chemistry 101 study guide](#)

chemical engineering salary range in south africa

chapter 31 1 the neuron worksheet answer

chapter 3 discrete random variable and probability

[chapter 6 test form b answers](#)

[chemistry chapter 13 states of matter study guide answers](#)

Smmps Design Guide :

International Business Charles Hill Chapter 1 Ppt responsible global corporate practices. Page 9. International Business Charles Hill Chapter 1. Ppt. 9. 9. The principles were unanimously endorsed by the UN and. International Business_Chapter 1_Globalization_Charles ... Oct 25, 2013 — The strategy of international business by. International Business: by Charles W.L. Hill - Globalization HillChap01.ppt - Free download as Powerpoint Presentation (.ppt), PDF File (.pdf), Text File (.txt) or view presentation slides online. Chapter 1 Globalization. - ppt video online download Aug 11, 2017 — Falling trade barriers make it easier to sell internationally The tastes and preferences of consumers are converging on some global norm Firms ... PPT

Chap01.ppt - International Business 9ed Charles WL... View PPT_Chap01.ppt from AA 1International Business 9ed Charles W.L. Hill McGraw-Hill/Irwin 1-1 Chapter 01 Globalization 1-2 What Is Globalization? Fourth Edition International Business. CHAPTER 1 ... Chapter 1 Globalization. OPS 570 Fall 2011 Global Operations and Project Management. by Charles WL Hill Chapter 1. Globalization. 1-3. Introduction. In the ... Question: What does the shift toward a global economy mean for managers within an international business? Reading free International business charles hill chapter 1 ppt ... Oct 23, 2023 — international business charles hill chapter 1 ppt is available in our book collection an online access to it is set as public so you can ... International Business Charles Hill Chapter 1 Ppt International Business Charles Hill Chapter 1 Ppt. 2021-07-15 including corporate performance, governance, strategic leadership, technology, and business ethics ... Download free International business charles hill chapter 1 ... Oct 16, 2023 — If you ally need such a referred international business charles hill chapter 1 ppt ebook that will manage to pay for you worth, ... Medical-Surgical Nursing: Critical Thinking ... This book is the Single volume of Medical-Surgical Nursing: Critical Thinking in Client Care and is a clear presentation of patient care, with its ... Medical-Surgical Nursing: Critical Thinking in Client Care ... This book is the Single volume of Medical-Surgical Nursing: Critical Thinking in Client Care and is a clear presentation of patient care, ... Medical-Surgical Nursing: Critical Thinking in Client Care, ... Medical-Surgical Nursing: Critical Thinking in Client Care Vol. 1 4th Edition. Lemone. Published by Prentice Hall, USA (2007). ISBN 10: 0131713094 ISBN 13 ... Medical Surgical Nursing: Critical... book by Priscilla LeMone Medical-Surgical Nursing, Volume 2: Critical Thinking in Client Care. Priscilla LeMone, Karen M. Burke ; Study Guide for Medical-Surgical Nursing Care. Karen M. Medical-surgical nursing: critical thinking in client ... Edition: 4th ed. Physical Desc: 2 volumes (various pagings) : illustrations, portrait 1 DVD-ROM 4 3/4 in., Also available in a single vol. version. Status ... Medical surgical nursing, critical thinking in client ... This book is the Single volume of Medical-Surgical Nursing: Critical Thinking in Client Care and is a clear presentation of patient care, with its consistent ... Medical-Surgical Nursing Critical Thinking in Client Care, Single ... Publisher Description. This book is the Single volume of Medical-Surgical Nursing: Critical Thinking in Client Care and is a clear presentation of patient care, ... Medical-Surgical Nursing: Critical Thinking in Client Care This book is the Single volume of Medical-Surgical Critical Thinking in Client Care and is a clear presentation of patient care, with its consistent format ... Medical-Surgical Nursing: Critical Thinking in Client Care ... Medical-Surgical Nursing: Critical Thinking in Client Care, Single Volume (4th E ; Condition. Good ; Quantity. 3 sold. 3 available ; Item Number. 302334993460. Critical Thinking in Client Care, Single Volume (4th Edition) Priscilla LeMone is the author of 'Medical-Surgical Nursing: Critical Thinking in Client Care, Single Volume (4th Edition)', published 2007 under ISBN ... Imusti ???????? (Krishnayan): Kaajal Oza Vaidya (Author) Book details · Language. Gujarati · Publisher. Navbharat · Publication date. January 1, 2013 · Dimensions. 0.79 x 8.66 x 11.02 inches · ISBN-10. 8184401981 · ISBN-13. Krishnayan: Vaidya, Kaajal Oza: 9788194879008 Indisputably the biggest bestseller of all time in Gujarati literature—having sold over

200,000 copies and gone into more than twenty-eight editions—it is a ... Krishnayan (English Language) | Kaajal Oza Vaidya Krishnayan (English Language). Home /; Authors /; Kaajal Oza Vaidya /; Krishnayan (English Language). - 15 %. Krishnayan (English Language). □□□□□□□□ by Kaajal Oza Vaidya This book, Krishnayan, is nothing less than magic, recounting the final moments of Krishna and the thoughts that could have crossed his human mind. Sitting ... Krishnayan Gauraksha : Online Cow Donation in India Our goal is to inspire people to serve the native Indian cows and produce pure milk for the country and teach them to become self-reliant by keeping a desi cow. krishnayan Krishnayan (Gujarati Edition) by Kaajal Oza Vaidya and a great selection of related books, art and collectibles available now at AbeBooks.com. Krishnayan Gujarati Edition , Pre-Owned Paperback ... Krishnayan Gujarati Edition. Krishnayan Gujarati Edition , Pre-Owned Paperback 8184401981 9788184401981 Kaajal Oza Vaidya. Publisher, Navbharat Sahitya Mandir. 'Krishnayan': The women in Krishna's life talk about him ... Feb 3, 2021 — The mind controls the body as per its will. While women dance to its tunes, men are slaves to intellect, they measure and weigh everything by it ... { Book Review } - Krishnayan by Kajal Oza Vaidya Jun 16, 2017 — Krishnayan is in a way, a retelling of a lifetime that Lord Vishnu spends walking this earth as a mortal. It mainly focuses on his relationships ...