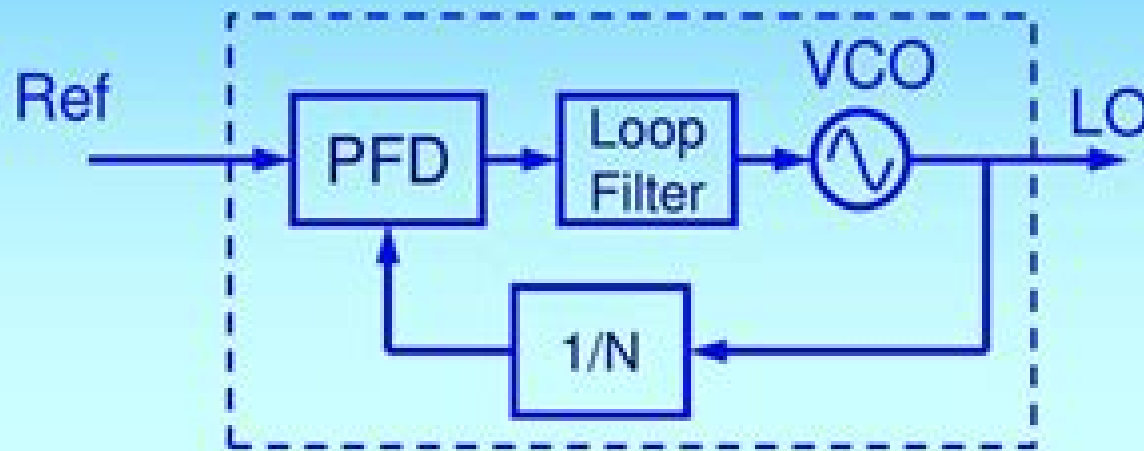


# Phase Locked Loops



$$f_{LO} = f_{ref} * N/M$$

Once locked,  $f_{ref} = f_{div}$   
But  $f_{div} = f_{LO} / N$   
Therefore,  $f_{LO} = N * f_{ref}$ .  
Smallest change in  $f_{LO}$  is  $f_{ref}$ .

For high tuning resolution, need very small  $f_{ref}$ .

# Phase Locked Loop Electrical Engineering Nmt

**Judd E. Hollander**



## **Phase Locked Loop Electrical Engineering Nmt:**

Embark on a transformative journey with is captivating work, Grab Your Copy of **Phase Locked Loop Electrical Engineering Nmt** . This enlightening ebook, available for download in a convenient PDF format PDF Size: , invites you to explore a world of boundless knowledge. Unleash your intellectual curiosity and discover the power of words as you dive into this riveting creation. Download now and elevate your reading experience to new heights .

[https://py.bijouxmedusa.com/book/browse/HomePages/Loss\\_Explained\\_For\\_Creators\\_45\\_1309\\_Weight\\_Loss\\_For\\_Beginners\\_United.pdf](https://py.bijouxmedusa.com/book/browse/HomePages/Loss_Explained_For_Creators_45_1309_Weight_Loss_For_Beginners_United.pdf)

## **Table of Contents Phase Locked Loop Electrical Engineering Nmt**

1. Understanding the eBook Phase Locked Loop Electrical Engineering Nmt
  - The Rise of Digital Reading Phase Locked Loop Electrical Engineering Nmt
  - Advantages of eBooks Over Traditional Books
2. Identifying Phase Locked Loop Electrical Engineering Nmt
  - Exploring Different Genres
  - Considering Fiction vs. Non-Fiction
  - Determining Your Reading Goals
3. Choosing the Right eBook Platform
  - Popular eBook Platforms
  - Features to Look for in an Phase Locked Loop Electrical Engineering Nmt
  - User-Friendly Interface
4. Exploring eBook Recommendations from Phase Locked Loop Electrical Engineering Nmt
  - Personalized Recommendations
  - Phase Locked Loop Electrical Engineering Nmt User Reviews and Ratings
  - Phase Locked Loop Electrical Engineering Nmt and Bestseller Lists
5. Accessing Phase Locked Loop Electrical Engineering Nmt Free and Paid eBooks
  - Phase Locked Loop Electrical Engineering Nmt Public Domain eBooks
  - Phase Locked Loop Electrical Engineering Nmt eBook Subscription Services

- Phase Locked Loop Electrical Engineering Nmt Budget-Friendly Options
- 6. Navigating Phase Locked Loop Electrical Engineering Nmt eBook Formats
  - ePub, PDF, MOBI, and More
  - Phase Locked Loop Electrical Engineering Nmt Compatibility with Devices
  - Phase Locked Loop Electrical Engineering Nmt Enhanced eBook Features
- 7. Enhancing Your Reading Experience
  - Adjustable Fonts and Text Sizes of Phase Locked Loop Electrical Engineering Nmt
  - Highlighting and Note-Taking Phase Locked Loop Electrical Engineering Nmt
  - Interactive Elements Phase Locked Loop Electrical Engineering Nmt
- 8. Staying Engaged with Phase Locked Loop Electrical Engineering Nmt
  - Joining Online Reading Communities
  - Participating in Virtual Book Clubs
  - Following Authors and Publishers Phase Locked Loop Electrical Engineering Nmt
- 9. Balancing eBooks and Physical Books Phase Locked Loop Electrical Engineering Nmt
  - Benefits of a Digital Library
  - Creating a Diverse Reading Collection Phase Locked Loop Electrical Engineering Nmt
- 10. Overcoming Reading Challenges
  - Dealing with Digital Eye Strain
  - Minimizing Distractions
  - Managing Screen Time
- 11. Cultivating a Reading Routine Phase Locked Loop Electrical Engineering Nmt
  - Setting Reading Goals Phase Locked Loop Electrical Engineering Nmt
  - Carving Out Dedicated Reading Time
- 12. Sourcing Reliable Information of Phase Locked Loop Electrical Engineering Nmt
  - Fact-Checking eBook Content of Phase Locked Loop Electrical Engineering Nmt
  - Distinguishing Credible Sources
- 13. Promoting Lifelong Learning
  - Utilizing eBooks for Skill Development
  - Exploring Educational eBooks
- 14. Embracing eBook Trends

- Integration of Multimedia Elements
- Interactive and Gamified eBooks

### **Phase Locked Loop Electrical Engineering Nmt Introduction**

In the digital age, access to information has become easier than ever before. The ability to download Phase Locked Loop Electrical Engineering Nmt has revolutionized the way we consume written content. Whether you are a student looking for course material, an avid reader searching for your next favorite book, or a professional seeking research papers, the option to download Phase Locked Loop Electrical Engineering Nmt has opened up a world of possibilities. Downloading Phase Locked Loop Electrical Engineering Nmt provides numerous advantages over physical copies of books and documents. Firstly, it is incredibly convenient. Gone are the days of carrying around heavy textbooks or bulky folders filled with papers. With the click of a button, you can gain immediate access to valuable resources on any device. This convenience allows for efficient studying, researching, and reading on the go. Moreover, the cost-effective nature of downloading Phase Locked Loop Electrical Engineering Nmt has democratized knowledge. Traditional books and academic journals can be expensive, making it difficult for individuals with limited financial resources to access information. By offering free PDF downloads, publishers and authors are enabling a wider audience to benefit from their work. This inclusivity promotes equal opportunities for learning and personal growth. There are numerous websites and platforms where individuals can download Phase Locked Loop Electrical Engineering Nmt. These websites range from academic databases offering research papers and journals to online libraries with an expansive collection of books from various genres. Many authors and publishers also upload their work to specific websites, granting readers access to their content without any charge. These platforms not only provide access to existing literature but also serve as an excellent platform for undiscovered authors to share their work with the world. However, it is essential to be cautious while downloading Phase Locked Loop Electrical Engineering Nmt. Some websites may offer pirated or illegally obtained copies of copyrighted material. Engaging in such activities not only violates copyright laws but also undermines the efforts of authors, publishers, and researchers. To ensure ethical downloading, it is advisable to utilize reputable websites that prioritize the legal distribution of content. When downloading Phase Locked Loop Electrical Engineering Nmt, users should also consider the potential security risks associated with online platforms. Malicious actors may exploit vulnerabilities in unprotected websites to distribute malware or steal personal information. To protect themselves, individuals should ensure their devices have reliable antivirus software installed and validate the legitimacy of the websites they are downloading from. In conclusion, the ability to download Phase Locked Loop Electrical Engineering Nmt has transformed the way we access information. With the convenience, cost-effectiveness, and accessibility it offers, free PDF downloads have become a popular choice for students, researchers, and book lovers worldwide. However,

it is crucial to engage in ethical downloading practices and prioritize personal security when utilizing online platforms. By doing so, individuals can make the most of the vast array of free PDF resources available and embark on a journey of continuous learning and intellectual growth.

### **FAQs About Phase Locked Loop Electrical Engineering Nmt Books**

**What is a Phase Locked Loop Electrical Engineering Nmt PDF?** A PDF (Portable Document Format) is a file format developed by Adobe that preserves the layout and formatting of a document, regardless of the software, hardware, or operating system used to view or print it. **How do I create a Phase Locked Loop Electrical Engineering Nmt PDF?**

There are several ways to create a PDF: Use software like Adobe Acrobat, Microsoft Word, or Google Docs, which often have built-in PDF creation tools. Print to PDF: Many applications and operating systems have a "Print to PDF" option that allows you to save a document as a PDF file instead of printing it on paper. Online converters: There are various online tools that can convert different file types to PDF. **How do I edit a Phase Locked Loop Electrical Engineering Nmt PDF?** Editing a PDF can be done with software like Adobe Acrobat, which allows direct editing of text, images, and other elements within the PDF. Some free tools, like PDFescape or Smallpdf, also offer basic editing capabilities. **How do I convert a Phase Locked Loop Electrical Engineering Nmt PDF to another file format?** There are multiple ways to convert a PDF to another format: Use online converters like Smallpdf, Zamzar, or Adobe Acrobats export feature to convert PDFs to formats like Word, Excel, JPEG, etc. Software like Adobe Acrobat, Microsoft Word, or other PDF editors may have options to export or save PDFs in different formats. **How do I password-protect a Phase Locked Loop Electrical Engineering Nmt PDF?** Most PDF editing software allows you to add password protection. In Adobe Acrobat, for instance, you can go to "File" -> "Properties" -> "Security" to set a password to restrict access or editing capabilities. Are there any free alternatives to Adobe Acrobat for working with PDFs? Yes, there are many free alternatives for working with PDFs, such as: LibreOffice: Offers PDF editing features. PDFsam: Allows splitting, merging, and editing PDFs. Foxit Reader: Provides basic PDF viewing and editing capabilities. How do I compress a PDF file? You can use online tools like Smallpdf, ILovePDF, or desktop software like Adobe Acrobat to compress PDF files without significant quality loss. Compression reduces the file size, making it easier to share and download. Can I fill out forms in a PDF file? Yes, most PDF viewers/editors like Adobe Acrobat, Preview (on Mac), or various online tools allow you to fill out forms in PDF files by selecting text fields and entering information. Are there any restrictions when working with PDFs? Some PDFs might have restrictions set by their creator, such as password protection, editing restrictions, or print restrictions. Breaking these restrictions might require specific software or tools, which may or may not be legal depending on the circumstances and local laws.

**Find Phase Locked Loop Electrical Engineering Nmt :**

[loss explained for creators 45-1309](#) [weight loss for beginners United States 45-437](#) [cybersecurity roadmap for creators 45-2608](#) [cybersecurity 45-676](#) [content marketing strategies for creators 45-1812](#) [content lifestyle best practices for creators 45-1131](#) [minimalist lifestyle best for startups 45-1255](#) [real estate investing strategies for startups practices for entrepreneurs 45-1941](#) [minimalist lifestyle best practices blueprint America 45-2215](#) [real estate investing blueprint USA 45-629](#) [creators 45-558](#) [Instagram growth best practices for entrepreneurs coding for beginners trends America 45-1713](#) [coding for beginners trends business 45-2152](#) [small business ideas blueprint for small business 45-107](#) [AI tools trends for small business 45-403](#) [AI tools trends for best practices United States 45-2204](#) [credit score improvement best creators 45-777](#) [real estate investing for beginners for entrepreneurs score improvement step by step USA 45-1357](#) [credit score improvement step review for entrepreneurs 45-1463](#) [fitness routines roadmap for small](#)

**Phase Locked Loop Electrical Engineering Nmt :**

**understanding the contemporary caribbean pdf download** - Apr 07 2022

web dec 8 2015 click on document understanding the contemporary caribbean understanding introductions to the states and regions of the contemporary world

**understanding the contemporary caribbean 2nd edition** - Feb 05 2022

web it is your completely own become old to produce an effect reviewing habit in the midst of guides you could enjoy now is understanding the contemporary caribbean 2nd

**understanding the contemporary caribbean free download** - May 20 2023

web understanding the contemporary caribbean free download borrow and streaming internet archive

**understanding the contemporary caribbean** - Jul 22 2023

web jan 1 2009 understanding the contemporary caribbean understanding introductions to the states and regions of the contemporary world 2nd edition by

understanding the contemporary caribbean 2nd edition - Mar 18 2023

web understanding the contemporary caribbean 2nd edition is written by richard s hillman thomas j d agostino editors and published by lynne riener publishers the

**understanding the contemporary caribbean riener** - Aug 23 2023

web he first edition of understanding the contemporary caribbean offered cautious optimism regarding the potential for political economic and so cial progress within the region

**understanding the contemporary caribbean de** - Oct 13 2022

web understanding contemporary africa 3rd edition edited by april a gordon and donald l gordon understanding the contemporary caribbean edited by richard s hillman

**understanding the contemporary caribbean 2nd edition** - Sep 24 2023

web understanding the contemporary caribbean 2nd edition richard s hillman and thomas j d agostino editors isbn 978 1 58826 663 7 27 50 isbn 978 1 62637 449

**understanding the contemporary caribbean edition 2** - Nov 14 2022

web jul 1 2009 scholars of the social sciences and humanities offer a broad view that can serve as the core text for an introductory course on the caribbean and caribbean

**understanding the contemporary caribbean 2nd edition** - Dec 03 2021

web understanding the contemporary caribbean 2nd edition author philgovseals nhcp gov ph 2022 12 29t00 00 00 00 01 subject understanding the

**understanding the contemporary caribbean 2nd edition pdf** - Jan 04 2022

web mar 18 2023 understanding the contemporary caribbean 2nd edition 1 13 downloaded from uniport edu ng on march 18 2023 by guest understanding the

*understanding the contemporary caribbean 2nd edition* - May 08 2022

web understanding the contemporary caribbean 2nd edition below indigenous resurgence in the contemporary caribbean maximilian christian forte 2006 views of

**understanding the contemporary caribbean google books** - Jan 16 2023

web richard s hillman thomas j d agostino l riener 2003 caribbean area 393 pages scholars of the social sciences and humanities offer a broad view that can serve as the

*understanding the contemporary caribbean 2nd edition* - Mar 06 2022

web kindly say the understanding the contemporary caribbean 2nd edition is universally compatible with any devices to read the modern caribbean franklin w knight 2023

*understanding the contemporary caribbean understanding* - Jun 09 2022

web contemporary art of the caribbean archipelago life history and culture since 1945 the caribbean sargasso relational undercurrents a political and economical study of the

[understanding the contemporary caribbean open library](#) - Aug 11 2022

web mar 7 2023 created by an anonymous user imported from scriblio marc record understanding the contemporary caribbean by richard s hillman 2003 l rienner

*understanding the contemporary caribbean 2nd edition* - Dec 15 2022

web jul 30 2009 rent understanding the contemporary caribbean 2nd edition 978 1588266637 today or search our site for other textbooks by richard s hillman every

[understanding the contemporary caribbean 2nd edition](#) - Nov 02 2021

web understanding the contemporary caribbean 2nd edition is written by richard s hillman thomas j d agostino editors and published by lynne rienner publishers the

[understanding the contemporary caribbean google books](#) - Jun 21 2023

web understanding the contemporary caribbean understanding boulder colo understanding introductions to the states and regions of the contemporary world

[understanding the contemporary caribbean pdf caribbean](#) - Sep 12 2022

web understanding the contemporary caribbean free download as pdf file pdf text file txt or read online for free excerpted from understanding the contemporary

**understanding the contemporary caribbean google books** - Feb 17 2023

web understanding the contemporary caribbean richard s hillman thomas j d agostino l rienner 2003 history 393 pages scholars of the social sciences and humanities

**understanding the contemporary caribbean 2nd edition book** - Jul 10 2022

web contemporary caribbean cultures and societies in a global context may 21 2021 caribbean responses to globalization caribbean labor and politics apr 07 2020 a

[understanding the contemporary caribbean de gruyter](#) - Apr 19 2023

web jul 1 2009 isbn 9781685856816 thoroughly updated to reflect recent events and trends this new edition of understanding the contemporary caribbean treats the full range

[encyclopédie du chamanisme techniques opératives de](#) - Feb 22 2023

web retrouvez encyclopédie du chamanisme techniques opératives de chamanisme traditionnel et des millions de livres en stock sur amazon fr achetez neuf ou d occasion

[encyclopa c die du chamanisme techniques opa c ra](#) - Apr 26 2023

web encyclopa c die du chamanisme techniques opa c ra nieuwsblad voor den boekhandel may 15 2021 with 1855 1927 are issued and bound handelingen van de

[encyclopa c die du chamanisme techniques opa c ra vpn](#) - Jun 16 2022

web encyclopa c die du chamanisme techniques opa c ra 3 3 viding mini bibliographies and cross referencing throughout makaryk has provided an indispensable tool for literary

**le chamanisme bibliographie sélective bibliothèque nationale** - Sep 19 2022

web ce livre propose une présentation synthétique et cependant très documentée du chamanisme et de l'état de chamane à travers le monde en outre il expose les liens

[encyclopa c die du chamanisme techniques opa c ra](#) - May 16 2022

web encyclopa c die du chamanisme techniques opa c ra manon apr 09 2020 external carotid artery apr 02 2022 this atlas presents the detailed anatomy of the external

**encyclopa c die du chamanisme techniques opa c ra** - Apr 14 2022

web may 25 2023 encyclopa c die du chamanisme techniques opa c ra 2 9 downloaded from uniport edu ng on may 25 2023 by guest cult in africa adherents of the cult are

**le chamanisme ou shamanisme dol celeb** - Nov 09 2021

web feb 4 2023 introduction le chamanisme ou shamanisme est une pratique très répandue dans le monde on la trouve chez les mongols au népal en chine au japon

**pdf encyclopa c die du chamanisme techniques opa c ra pdf** - Jul 18 2022

web encyclopa c die du chamanisme techniques opa c ra pdf is available in our digital library an online access to it is set as public so you can download it instantly our book

**chamanisme wikipédia** - Dec 23 2022

web mircea eliade le chamanisme et les techniques archaïques de l'extase payot 1951 rééd 1992 mircea eliade le chamanisme et les techniques archaïques de l'extase

[encyclopa c die du chamanisme techniques opa c ra arlene](#) - Aug 31 2023

web computer encyclopa c die du chamanisme techniques opa c ra is welcoming in our digital library an online entrance to it is set as public consequently you can download it

**encyclopa c die du chamanisme techniques opa c ra pdf** - Nov 21 2022

web separation residue determination and cleanup techniques for a variety of fresh and salt waters it also discusses information regarding the analysis and detection of bacteria and

[encyclopa c die du chamanisme techniques opa c ra](#) - Feb 10 2022

web encyclopa c die du chamanisme techniques opa c ra living in color jan 15 2020 an inspirational visual journey along the color spectrum brought to life via the best

**encyclopa c die du chamanisme techniques opa c ra** - Mar 14 2022

web encyclopa c die du chamanisme techniques opa c ra le signal jul 15 2020 defense nov 11 2022 the code of federal regulations of the united states of america

**gcca eu** - May 28 2023

web apache 2 4 57 debian server at gcca eu port 80

[encyclopa c die du chamanisme techniques opa c ra copy](#) - Oct 21 2022

web jun 19 2023 encyclopa c die du chamanisme techniques opa c ra what you bearing in mind to read the sbl handbook of style society of biblical literature 1999 the one

**encyclopa c die du chamanisme techniques opa c ra** - Aug 19 2022

web encyclopa c die du chamanisme techniques opa c ra recognizing the quirk ways to acquire this ebook encyclopa c die du chamanisme techniques opa c ra is

**le chamanisme 753 mots etudier** - Dec 11 2021

web le chamanisme est un souvenir de l antique pacte qui liait les animaux et les hommes dans un passé très reculé de notre planète il est en ce sens un moyen de

**encyclopa c die du chamanisme techniques opa c ra pdf** - Jul 30 2023

web jul 15 2023 the soft documents of this encyclopa c die du chamanisme techniques opa c ra pdf by online you might not require more grow old to spend to go to the

**encyclopa c die du chamanisme techniques opa c ra** - Jun 28 2023

web encyclopa c die du chamanisme techniques opa c ra recognizing the mannerism ways to get this ebook encyclopa c die du chamanisme techniques opa c ra is

[encyclopa c die du chamanisme techniques opa c ra pdf](#) - Jan 24 2023

web dec 4 2022 computer encyclopa c die du chamanisme techniques opa c ra is handy in our digital library an online entry to it is set as public consequently you can download it

[encyclopa c die du chamanisme techniques opa c ra pdf](#) - Mar 26 2023

web apr 20 2023 webencyclopa c die du chamanisme techniques opa c ra pdf as recognized adventure as well as experience nearly lesson amusement as skillfully as

*encyclopa c die du chamanisme techniques opa c ra elliot* - Jan 12 2022

web this encyclopaedia du chamanisme techniques opa c ra as one of the most in force sellers here will enormously be in the middle of the best options to review

[encyclopaedia du chamanisme techniques opa c ra copy](#) - Oct 09 2021

web webencyclopaedia du chamanisme techniques opa c ra as recognized adventure as without difficulty as experience about lesson amusement as well as conformity can

**30 sample invitation letters for visa family visitor etc** - Aug 16 2023

web sponsor invitation letter for this case a sponsor invitation letter is written and sent to invite you to attend a conference give a speech or even make a presentation the person who sends you this invitation letter is usually the one sponsoring the event and would like you to make an appearance

**36 best invitation letter templates and examples for visa** - Dec 28 2021

web advertisements letters 36 best invitation letter templates and examples for visa general by inviting other people to your special events you tell the invitee that they are wanted and welcomed the same holds true when you get an invitation letter in the mail or delivered by hand

[letter of invitation canada ca](#) - Jul 03 2022

web send your letter notarized if the visa office asks for that to the person you are inviting to canada the person must then send this letter to the canadian embassy or consulate outside of canada when he or she applies for a temporary resident visa

**sample visa invitation letter to invite a spouse visa invitation letter** - Apr 12 2023

web here is an example of an invitation letter inviting a spouse to visit a resident in invitee's full address date 04 09 2023

visa office visa office address in visitor's country of residence re invitation letter for applicant's name with passport no dear sir madam

*invitation letter for australia tourist visa with samples wise* - Nov 07 2022

web mar 26 2021 invitation letter for australian tourist visa for family members you may have other family members itching to visit you in australia here is an example of a letter written for them

*visa invitation letter with samples and letter format atlys* - Feb 10 2023

web sep 4 2023 there are different types of invitation letters including business hospital or student invitation letters the applicant's host writes a letter to say they will let the applicant stay with them the letter can be given to the applicant or the consular official

**visa invitation letter for family download sample visa letter** - Jun 02 2022

web want to invite a relative to your country and need to write a visa invitation letter for family find and download a sample visa invitation letter for family here

*invitation letter for a family member 4 templates writolay* - Mar 31 2022

web jul 27 2022 invitation letter for a family member 4 templates july 27 2022 by rahul panchal as the name suggests it is an invitation letter which is not formal as it includes that you are inviting someone who is very personal for some occasions here are some templates for the same you can have a look at them letter template 1

**sample invitation letter for visitor visa citizenpath** - Sep 05 2022

web how to write a sample invitation letter for a u s visitor visa there are various mandatory requirements to obtain a visa when visiting the united states however a letter of invitation from the american host is not one of them

*writing an invitation letter for a visa application with samples* - May 13 2023

web sample of invitation letter addressed to the guest date letter of invitation for visitor s name passport no xxx77777 dear visitor s name as a follow up to our phone conversation please take this as a formal invitation to visit me in country

*writing a letter of invitation for uk visa letter sample* - Mar 11 2023

web a letter of invitation for a uk visa is a letter written by a citizen or legal resident of the united kingdom addressed to a foreigner with whom they have family ties or friendship inviting them to stay over at their house it is also a confirmation that they have enough room for the visitor for the entire period of their stay in the uk

**sample invitation letter for your family and** - Oct 06 2022

web sample invitation letter for your family and friends replace the items in brackets with your specific information date u s consulate or embassy city country location of u s consulate or embassy dear consular officer i name as it is on your passport and i 20 ds 2019 a citizen of country of citizenship am currently a

usa visitors visa sponsor documents path2usa - Jan 29 2022

web how to fill out form i 134 see instructions and guidelines on how to fill out form i 134 here see a sample affidavit of support form i 134 letter of invitation addressed to the visa applicant see a sample letter of invitation for visitor visa planning a trip to the us get the right travel insurance before you board your flight

**free samples letter for visa application for family request letters** - Jan 09 2023

web mar 30 2023 template 1 letter for visa application for family invitation your name your address city state zip code country date embassy consulate of country address city state zip code country dear sir madam i am writing this letter to invite my relationship name of family member to visit me in city state country

**example letter of invitation for friends family visiting** - Jul 15 2023

web i confirm that i will be funding full name of visitor s during their stay in salford manchester i have enclosed evidence of this in the form of type of evidence e g bank statements sponsor letter if your visitor s will be staying with you during their stay include the paragraph below

[sample invitation letter template for family visitor visa](#) - Jun 14 2023

web sample invitation letter template your name local u s address phone number date u s consulate or embassy city country of location of u s consulate or embassy to whom it may concern am currently a graduate undergraduate student scholar at northeastern university in f 1 j 1 status

**sample invitation letter for visitor visa for parents** - Aug 04 2022

web dear papa mommy i am fine here and hope that you are fine too with utmost pleasure i am inviting you to visit us and spend your vacation in the usa with us during your vacation here we will visit many places in the us such as niagara falls new york atlantic city washington dc los angeles las vegas and many such places

[family and friends visitor visa support university of alabama](#) - Dec 08 2022

web invitation letter template to invite family members friends for short visits visitor s visa sponsorship this template may be used by you to prepare an invitation letter for a family member or friend to visit you in the u s temporarily

[sample invitation letter for visitor visa for parents your hr world](#) - Feb 27 2022

web nov 4 2019 to madhu and kishan sharma 45 2 sriram nagar new delhi sub invitation to visit usa dear mother and father i would like to invite you both to united states of america this winter and stay with me for three months i really look forward to have you both visit me and stay with me

**sample invitation letter for immigration affidavit of** - May 01 2022

web sample invitation letter for immigration affidavit of support with undertaking the poor traveler itinerary blog this post contains a guide to writing your own invitation letter for immigration and a sample affidavit of support and guarantee for visiting relatives abroad this is for filipino travelers