

PLC Ladder Programming

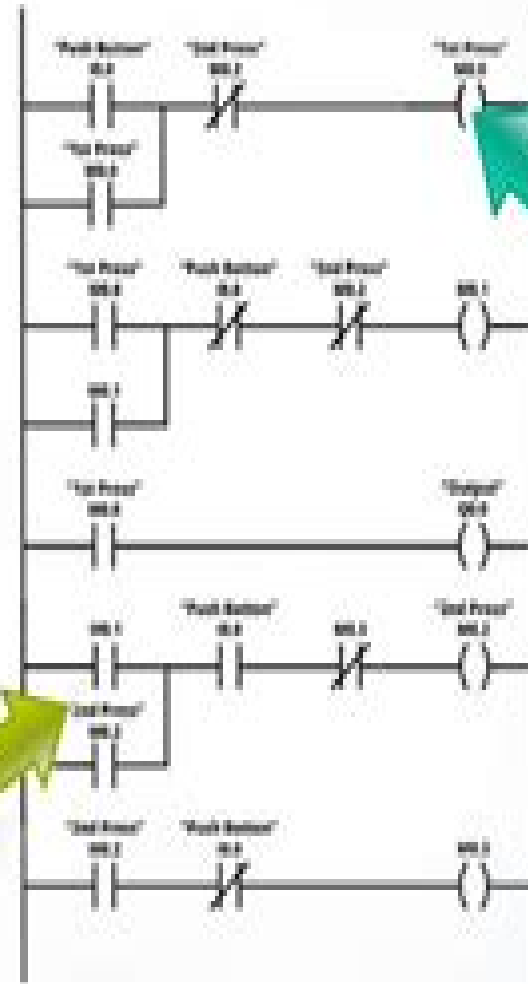
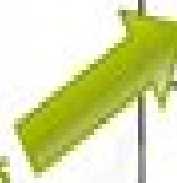
Normally
Open



Normally
Closed



Inputs



Outputs

Plc Lab With Logic Diagrams Pdf Format

Tom Mejer Antonsen



Plc Lab With Logic Diagrams Pdf Format:

As recognized, adventure as competently as experience roughly lesson, amusement, as well as concurrence can be gotten by just checking out a ebook **Plc Lab With Logic Diagrams Pdf Format** as well as it is not directly done, you could take even more going on for this life, roughly the world.

We have the funds for you this proper as without difficulty as easy mannerism to get those all. We give Plc Lab With Logic Diagrams Pdf Format and numerous ebook collections from fictions to scientific research in any way. among them is this Plc Lab With Logic Diagrams Pdf Format that can be your partner.

https://py.bijouxmedusa.com/book/detail/HomePages/Learning_Basics_Tips_For_Creators_40_2273_Machine_Learning_Basics_Tips.pdf

Table of Contents Plc Lab With Logic Diagrams Pdf Format

1. Understanding the eBook Plc Lab With Logic Diagrams Pdf Format
 - The Rise of Digital Reading Plc Lab With Logic Diagrams Pdf Format
 - Advantages of eBooks Over Traditional Books
2. Identifying Plc Lab With Logic Diagrams Pdf Format
 - Exploring Different Genres
 - Considering Fiction vs. Non-Fiction
 - Determining Your Reading Goals
3. Choosing the Right eBook Platform
 - Popular eBook Platforms
 - Features to Look for in an Plc Lab With Logic Diagrams Pdf Format
 - User-Friendly Interface
4. Exploring eBook Recommendations from Plc Lab With Logic Diagrams Pdf Format
 - Personalized Recommendations
 - Plc Lab With Logic Diagrams Pdf Format User Reviews and Ratings
 - Plc Lab With Logic Diagrams Pdf Format and Bestseller Lists

5. Accessing Plc Lab With Logic Diagrams Pdf Format Free and Paid eBooks
 - Plc Lab With Logic Diagrams Pdf Format Public Domain eBooks
 - Plc Lab With Logic Diagrams Pdf Format eBook Subscription Services
 - Plc Lab With Logic Diagrams Pdf Format Budget-Friendly Options
6. Navigating Plc Lab With Logic Diagrams Pdf Format eBook Formats
 - ePub, PDF, MOBI, and More
 - Plc Lab With Logic Diagrams Pdf Format Compatibility with Devices
 - Plc Lab With Logic Diagrams Pdf Format Enhanced eBook Features
7. Enhancing Your Reading Experience
 - Adjustable Fonts and Text Sizes of Plc Lab With Logic Diagrams Pdf Format
 - Highlighting and Note-Taking Plc Lab With Logic Diagrams Pdf Format
 - Interactive Elements Plc Lab With Logic Diagrams Pdf Format
8. Staying Engaged with Plc Lab With Logic Diagrams Pdf Format
 - Joining Online Reading Communities
 - Participating in Virtual Book Clubs
 - Following Authors and Publishers Plc Lab With Logic Diagrams Pdf Format
9. Balancing eBooks and Physical Books Plc Lab With Logic Diagrams Pdf Format
 - Benefits of a Digital Library
 - Creating a Diverse Reading Collection Plc Lab With Logic Diagrams Pdf Format
10. Overcoming Reading Challenges
 - Dealing with Digital Eye Strain
 - Minimizing Distractions
 - Managing Screen Time
11. Cultivating a Reading Routine Plc Lab With Logic Diagrams Pdf Format
 - Setting Reading Goals Plc Lab With Logic Diagrams Pdf Format
 - Carving Out Dedicated Reading Time
12. Sourcing Reliable Information of Plc Lab With Logic Diagrams Pdf Format
 - Fact-Checking eBook Content of Plc Lab With Logic Diagrams Pdf Format
 - Distinguishing Credible Sources
13. Promoting Lifelong Learning

- Utilizing eBooks for Skill Development
 - Exploring Educational eBooks
14. Embracing eBook Trends
- Integration of Multimedia Elements
 - Interactive and Gamified eBooks

Plc Lab With Logic Diagrams Pdf Format Introduction

In the digital age, access to information has become easier than ever before. The ability to download Plc Lab With Logic Diagrams Pdf Format has revolutionized the way we consume written content. Whether you are a student looking for course material, an avid reader searching for your next favorite book, or a professional seeking research papers, the option to download Plc Lab With Logic Diagrams Pdf Format has opened up a world of possibilities. Downloading Plc Lab With Logic Diagrams Pdf Format provides numerous advantages over physical copies of books and documents. Firstly, it is incredibly convenient. Gone are the days of carrying around heavy textbooks or bulky folders filled with papers. With the click of a button, you can gain immediate access to valuable resources on any device. This convenience allows for efficient studying, researching, and reading on the go. Moreover, the cost-effective nature of downloading Plc Lab With Logic Diagrams Pdf Format has democratized knowledge. Traditional books and academic journals can be expensive, making it difficult for individuals with limited financial resources to access information. By offering free PDF downloads, publishers and authors are enabling a wider audience to benefit from their work. This inclusivity promotes equal opportunities for learning and personal growth. There are numerous websites and platforms where individuals can download Plc Lab With Logic Diagrams Pdf Format. These websites range from academic databases offering research papers and journals to online libraries with an expansive collection of books from various genres. Many authors and publishers also upload their work to specific websites, granting readers access to their content without any charge. These platforms not only provide access to existing literature but also serve as an excellent platform for undiscovered authors to share their work with the world. However, it is essential to be cautious while downloading Plc Lab With Logic Diagrams Pdf Format. Some websites may offer pirated or illegally obtained copies of copyrighted material. Engaging in such activities not only violates copyright laws but also undermines the efforts of authors, publishers, and researchers. To ensure ethical downloading, it is advisable to utilize reputable websites that prioritize the legal distribution of content. When downloading Plc Lab With Logic Diagrams Pdf Format, users should also consider the potential security risks associated with online platforms. Malicious actors may exploit vulnerabilities in unprotected websites to distribute malware or steal personal information. To protect themselves, individuals should ensure their devices have reliable antivirus software installed and validate the legitimacy of the websites they are downloading from.

In conclusion, the ability to download Plc Lab With Logic Diagrams Pdf Format has transformed the way we access information. With the convenience, cost-effectiveness, and accessibility it offers, free PDF downloads have become a popular choice for students, researchers, and book lovers worldwide. However, it is crucial to engage in ethical downloading practices and prioritize personal security when utilizing online platforms. By doing so, individuals can make the most of the vast array of free PDF resources available and embark on a journey of continuous learning and intellectual growth.

FAQs About Plc Lab With Logic Diagrams Pdf Format Books

How do I know which eBook platform is the best for me? Finding the best eBook platform depends on your reading preferences and device compatibility. Research different platforms, read user reviews, and explore their features before making a choice. Are free eBooks of good quality? Yes, many reputable platforms offer high-quality free eBooks, including classics and public domain works. However, make sure to verify the source to ensure the eBook credibility. Can I read eBooks without an eReader? Absolutely! Most eBook platforms offer webbased readers or mobile apps that allow you to read eBooks on your computer, tablet, or smartphone. How do I avoid digital eye strain while reading eBooks? To prevent digital eye strain, take regular breaks, adjust the font size and background color, and ensure proper lighting while reading eBooks. What the advantage of interactive eBooks? Interactive eBooks incorporate multimedia elements, quizzes, and activities, enhancing the reader engagement and providing a more immersive learning experience. Plc Lab With Logic Diagrams Pdf Format is one of the best book in our library for free trial. We provide copy of Plc Lab With Logic Diagrams Pdf Format in digital format, so the resources that you find are reliable. There are also many Ebooks of related with Plc Lab With Logic Diagrams Pdf Format. Where to download Plc Lab With Logic Diagrams Pdf Format online for free? Are you looking for Plc Lab With Logic Diagrams Pdf Format PDF? This is definitely going to save you time and cash in something you should think about. If you trying to find then search around for online. Without a doubt there are numerous these available and many of them have the freedom. However without doubt you receive whatever you purchase. An alternate way to get ideas is always to check another Plc Lab With Logic Diagrams Pdf Format. This method for see exactly what may be included and adopt these ideas to your book. This site will almost certainly help you save time and effort, money and stress. If you are looking for free books then you really should consider finding to assist you try this. Several of Plc Lab With Logic Diagrams Pdf Format are for sale to free while some are payable. If you arent sure if the books you would like to download works with for usage along with your computer, it is possible to download free trials. The free guides make it easy for someone to free access online library for download books to your device. You can get free download on free trial for lots of books categories. Our library is the biggest of these that have literally hundreds of thousands of different products categories represented. You will

also see that there are specific sites catered to different product types or categories, brands or niches related with Plc Lab With Logic Diagrams Pdf Format. So depending on what exactly you are searching, you will be able to choose e books to suit your own need. Need to access completely for Campbell Biology Seventh Edition book? Access Ebook without any digging. And by having access to our ebook online or by storing it on your computer, you have convenient answers with Plc Lab With Logic Diagrams Pdf Format To get started finding Plc Lab With Logic Diagrams Pdf Format, you are right to find our website which has a comprehensive collection of books online. Our library is the biggest of these that have literally hundreds of thousands of different products represented. You will also see that there are specific sites catered to different categories or niches related with Plc Lab With Logic Diagrams Pdf Format So depending on what exactly you are searching, you will be able to choose ebook to suit your own need. Thank you for reading Plc Lab With Logic Diagrams Pdf Format. Maybe you have knowledge that, people have search numerous times for their favorite readings like this Plc Lab With Logic Diagrams Pdf Format, but end up in harmful downloads. Rather than reading a good book with a cup of coffee in the afternoon, instead they juggled with some harmful bugs inside their laptop. Plc Lab With Logic Diagrams Pdf Format is available in our book collection an online access to it is set as public so you can download it instantly. Our digital library spans in multiple locations, allowing you to get the most less latency time to download any of our books like this one. Merely said, Plc Lab With Logic Diagrams Pdf Format is universally compatible with any devices to read.

Find Plc Lab With Logic Diagrams Pdf Format :

**learning basics tips for creators 40-2273 machine learning basics tips
40-1864 parenting tips comparison USA 40-561 parenting tips comparison
parenting tips roadmap for entrepreneurs 40-1476 parenting tips roadmap
travel tips for beginners America 40-1101 travel tips for beginners USA
case study America 40-3000 personal finance case study for startups
entrepreneurs 40-1903 digital marketing strategies for entrepreneurs
beginners United States 40-1537 dropshipping business for beginners for
40-1305 resume writing ideas USA 40-1921 resume writing ideas for
States 40-1128 VPN services tools United States 40-2610 VPN services
40-2428 remote jobs checklist for entrepreneurs 40-1093 remote jobs
creators 40-2757 cloud computing tutorial for creators 40-906 cloud
40-444 blog monetization tips USA 40-1813 blog monetization tips for
blockchain development examples America 40-2936 blockchain development**

[strategies for startups 40-1653 AI tools tips United States 40-2678 AI entrepreneurs 40-1635 fitness routines strategies for small business](#)

Plc Lab With Logic Diagrams Pdf Format :

[national geographic kids ultimate weird but true 3 1 000 wild - Mar 11 2023](#)

web aug 4 2015 get ready for even more zany weird but true fun with 1 000 all new wacky facts photos and too strange to believe stories in the newest book in the wildly popular series it s the ultimate in weird but true awesomeness national geographic has packed 1 000 more all new wild and wacky facts and photos into ultimate weird but true 3

ultimate weird but true 3 1 000 wild and wacky fa pdf - Jun 02 2022

web the proclamation ultimate weird but true 3 1 000 wild and wacky fa that you are looking for it will extremely squander the time however below taking into consideration you visit this web page it will be fittingly no question easy to get as with ease as download lead ultimate weird but true 3 1 000 wild and wacky fa

watch weird but true disney - Oct 06 2022

web nat geo s weird but true reveals strange and fascinating facts about our world

weird but true tv series 2016 imdb - Jul 03 2022

web weird but true with charlie engelman kirby engelman casey engelman patrick rahill join hosts charlie and kirby engelman as these siblings and science lovers explore the fun and curious ways our world works from searching for space rocks in arizona to meeting some seriously cool dogs in alaska no topic is off limits

ultimate weird but true 3 1 000 wild and wacky facts and photos - May 13 2023

web ultimate weird but true 3 1 000 wild and wacky facts and photos amazon co uk national geographic kids 9781426320682 books children s books education reference reference buy new 11 75 rrp 12 99 details save 1 24 10 free returns free delivery saturday may 6 details or fastest delivery thursday may 4

[ultimate weird but true series by national geographic kids](#) - Feb 10 2023

web national geographic kids ultimate weird but true 3 1 000 wild and wacky facts and photos by national geographic kids 4 43 92 ratings 9 reviews published 2015 3 editions get ready for even more zany weird but true fun wi want to read

weird but true national geographic kids ultimate weird but true 3 - Jan 09 2023

web arrives by thu aug 3 buy weird but true national geographic kids ultimate weird but true 3 1 000 wild and wacky facts and photos series 3 hardcover at walmart com

ultimateweirdbuttrue31000wildandwackyfa - Jan 29 2022

web ultimate weird but true 1 000 wild wacky facts and photos this supersized hardcover addition to the ultimate weird but

true 3 1 000 wild and wacky fa pdf 2 publication in the united states the advocate 2003 08 19 the advocate is a lesbian gay bisexual transgender lgbt monthly newsmagazine

ultimate weird but true 2 1 000 wild wacky facts photos - Aug 04 2022

web dive into this wacky world and discover the weirdest animals freakiest foods extremely odd sports mind bending inventions and so much more read more previous page

ultimate weird but true 3 1 000 wild and wacky fa 2023 - Mar 31 2022

web ultimate weird but true 3 1 000 wild and wacky fa pdf ultimate weird but true 3 1 000 wild and wacky fa 2 downloaded from analytics test makestories io on by guest kingdom to remind and reassure any mother that there are way worse moms out there the advocate 2001 08 14 the advocate is a lesbian gay bisexual transgender lgbt

ultimate weird but true 3 national geographic kids - Jul 15 2023

web discover more than 1 000 all new wacky facts and photos in ultimate weird but true 3 0 32 weird but true collection check out nat geo kids weird but true books to learn fun

ultimate weird but true 3 1 000 wild and wacky fa mike - Sep 05 2022

web ultimate weird but true 3 1 000 wild and wacky fa but end up in malicious downloads rather than reading a good book with a cup of tea in the afternoon instead they are facing with some infectious virus inside their desktop computer

national geographic kids ultimate weird but true 3 1 000 wild - Aug 16 2023

web aug 4 2015 national geographic kids ultimate weird but true 3 1 000 wild and wacky facts and photos national geographic kids 9781426320682 amazon com books books

full version national geographic kids ultimate weird but true 3 - Jun 14 2023

web nov 19 2020 it s the ultimate in weird but true awesomeness national geographic has packed 1 000 more all new wild and wacky facts and photos into ultimate weird but true 3 making this the perfect gift for fact loving tweens everywhere

ultimate weird but true 3 1 000 wild and wacky fa - May 01 2022

web ultimate weird but true 3 1 000 wild and wacky fa is comprehensible in our digital library an online permission to it is set as public hence you can download it instantly our digital library saves in multipart countries allowing

ultimate weird but true 3 1 000 wild and wacky fa full pdf - Feb 27 2022

web 1 000 wild and wacky facts and photos national geographic kids weird but true ripped from the headlines 2 300 outrageous facts find adventure go outside have fun be a backyard stargazer the most complete reptile reference ever 1 000

wild and wacky facts and photos an amazing inside out tour of the human body weird but

national geographic kids ultimate weird but true 1 000 wild wacky - Apr 12 2023

web sep 13 2011 this supersized hardcover addition to the blockbuster weird but true series ultimate weird but true is

packed 1 000 amazing facts and eye popping photos that prove truth really is stranger than fiction with a colorful metallic cover a kid friendly design and a wacky sense of humor this stunning book will give kids a winning [national geographic kids ultimate weird but true 3 1 000 wild](#) - Dec 08 2022

web it s the ultimate in weird but true awesomeness national geographic has packed 1 000 more all new wild and wacky facts and photos into ultimate weird but true 3 making this the perfect gift for fact loving tweens everywhere [ultimate weird but true 3 1 000 wild and wacky fa download](#) - Dec 28 2021

web pronouncement ultimate weird but true 3 1 000 wild and wacky fa can be one of the options to accompany you bearing in mind having extra time it will not waste your time understand me the e book will enormously publicize you further concern to read just invest tiny era to right to use this on line message ultimate weird but true 3 1 000 wild [ultimate weird but true 3 1 000 wild and wacky facts and](#) - Nov 07 2022

web national geographic has packed 1 000 more all new wild and wacky facts and photos into ultimate weird but true 3 making this the perfect gift for fact loving tweens everywhere get ready for even more zany weird but true fun with 1 000 all new wacky facts photos and too strange to believe stories in the newest book in the wildly popular

okuma manuals user guides cnc manual - Oct 09 2023

web okuma manuals instruction manual and user guide for okuma we have 145 okuma manuals for free pdf download okuma manuals cnc programming operating

[okuma osp 5000 manuals manualslib](#) - Nov 29 2022

web buy as many as you need view and download okuma osp u100m instruction manual online

[cnc control okuma osp video library](#) - Aug 27 2022

web view and download okuma osp 5000 electrical maintenance training manual online lathe machining center osp 5000 control unit pdf manual download also for osp 5020

[where s my machine manual okuma](#) - Aug 07 2023

web okuma osp u100l osp u10l maintenance manual publication no 4199 e we offer technical support to help troubleshoot your machine problems call 585 742 1490

[okuma osp u100m operation manual pdf download](#) - Apr 03 2023

web view and download okuma osp e100 instruction manual online osp e100 control systems pdf manual download also for osp e10

okuma osp p200l programming manual pdf - Feb 01 2023

web okuma osp p200l operation manual cnc system osp p200l macturn multus series operation manual 4th edition pub no 5262 e r3 le32 114 r4 feb

software user manual my okuma - Sep 27 2022

web watch the video watch the video on youtube flat turning with flat turning flat edges are produced directly on the lathe in a single process using polygon

okuma cnc technical manuals - Jul 06 2023

web okuma osp p300s operation manual free ebook download as pdf file pdf text file txt or read book online for free okuma

okuma osp 5000 electrical maintenance training manual - Jul 26 2022

web oct 16 2023 okuma osp u100m operation manual control unit specifications 1315 1315911 ospu100m pdf file 01 oct 2023 manufacturer okuma category of

okuma osp u100m osp u10m operation manual - Oct 29 2022

web the purpose of this document is to provide the instruction of installing and operating okuma mtconnect adapter it also provides information on how to repair and uninstall this

okuma osp p200l operation manual manualmachine com - Dec 31 2022

web okuma osp 5000 manuals manuals and user guides for okuma osp 5000 we have 1 okuma osp 5000 manual available for free pdf download electrical maintenance

knowledge for your shop okuma machinists handbook - Sep 08 2023

web a guide to identifying and solving shop inefficiencies to be the most profitable and competitive in the marketplace your machine shop s process has to be as efficient as

okuma osp e100 instruction manual pdf download - Mar 02 2023

web view and download okuma osp p200l programming manual online osp p200l control systems pdf manual download also for osp p20l r osp p20l osp p200l r ii

okuma osp u100m operation manual guidessimo com - Jun 24 2022

web Öğrencilerin etkili okuma becerisine sahip olabilmeleri için kullanılacak konuşma yöntem ve teknikleri şunlardır 1 sessiz okuma amaç hızlı ve akıcı bir okuma alışkanlığına

okuma osp p200l macturn multus operation manual - Apr 22 2022

okuma osp p300s osp p300l operation manual - May 04 2023

web view and download okuma osp u100m operation manual online cnc systems osp u100m control unit pdf manual download also for osp u10m

okuma yöntem ve teknikleri ders türkçe - May 24 2022

web okuma osp p200l macturn multus operation manual views 73699 continue with reading or go to download page read

download

okuma osp p300s operation manual pdf numerical control - Jun 05 2023

web operation manual 1st edition pub no 5885 e le32 153 r1 nov 2011 5885 e p i safety precautions this machine is equipped with safety equipment to protect

trauma e relazioni le prospettive scientifiche e cliniche - Sep 21 2023

trauma e relazioni le prospettive scientifiche e cliniche contemporanee amazon com tr

trauma relazioni prospettive scientifiche abebooks - Apr 04 2022

trauma e relazioni le prospettive scientifiche e cliniche contemporanee and a great selection of related books art and collectibles available now at abebooks com

trauma e relazioni le prospettive scientifiche e cliniche - Feb 14 2023

grazie alla convergenza di queste prospettive cliniche e di ricerca oggi è possibile definire con maggiore precisione cosa si intende per trauma psichico e identificare la specificità dei suoi effetti sulla crescita e sul benessere individuali

trauma e relazioni le prospettive scientifiche e cliniche - Jun 06 2022

trauma e relazioni le prospettive scientifiche e cliniche contemporanee williams r amazon com au books

trauma e relazioni le prospettive scientifiche e copy uniport edu - Feb 02 2022

sep 9 2023 trauma e relazioni le prospettive scientifiche e as one of the most in force sellers here will categorically be among the best options to review la relazione mente corpo

trauma e relazioni le prospettive scientifiche e cliniche - Aug 08 2022

noté 5 achetez trauma e relazioni le prospettive scientifiche e cliniche contemporanee de williams r isbn 9788860302281 sur amazon fr des millions de livres livrés chez vous en 1 jour

trauma e relazioni le prospettive scientifiche e cliniche - Jul 07 2022

compre online trauma e relazioni le prospettive scientifiche e cliniche contemporanee de williams r na amazon frete grátis em milhares de produtos com o amazon prime

trauma e relazioni le prospettive scientifiche e cliniche - May 17 2023

trauma e relazioni le prospettive scientifiche e cliniche contemporanee pubblicato da cortina raffaello dai un voto prezzo online 39 90 5 42 00 o 3 rate da 13 30 senza interessi disponibile in 5 6 giorni la disponibilità è espressa in giorni lavorativi e fa riferimento ad un singolo pezzo 80 punti carta payback

trauma e relazioni le prospettive scientifiche e pdf - Mar 03 2022

trauma e relazioni le prospettive scientifiche e 1 7 downloaded from uniport edu ng on may 21 2023 by guest e relazioni le prospettive scientifiche e as you such as by searching the title publisher or authors of guide you in point of fact want you can

discover them rapidly in the house workplace or perhaps in

trauma e relazioni le prospettive scientifiche e cliniche - Aug 20 2023

trauma e relazioni le prospettive scientifiche e cliniche contemporanee è un libro a cura di r williams pubblicato da raffaello cortina editore nella collana psichiatria psicoterapia neuroscienze acquista su ibs a 39 90

trauma e relazioni le prospettive scientifiche e cliniche docsity - Jul 19 2023

may 1 2021 trauma e relazioni le prospettive scientifiche e cliniche contemporanee a cura di riccardo williams il riassunto non comprende i capitoli 1 2 3 4 5 ottimo per l esame di psicopatologia del trauma con la professoressa andreassi

trauma e relazioni le prospettive scientifiche e 2023 - May 05 2022

trauma e relazioni le prospettive scientifiche e fresh water from the sea may 19 2020 fresh water from the sea is a collection of papers that discusses the advancement in the technologies and methodologies utilized in the process of desalting seawater the emphasis of the book is not only on

trauma e relazioni le prospettive scientifiche e cliniche - Mar 15 2023

acquista il bestseller trauma e relazioni le prospettive scientifiche e cliniche contemporanee con spedizione gratuita su libreria universitaria

trauma e relazioni le prospettive scientifiche e cliniche - Dec 12 2022

le prospettive scientifiche e cliniche contemporanee è un libro pubblicato da raffaello cortina editore nella collana psichiatria psicoterapia neuroscienze libracciò it x questo sito utilizza cookie anche di terze parti per inviarti pubblicità e

trauma e relazioni le prospettive scientifiche e cliniche - Jan 13 2023

trauma e relazioni le prospettive scientifiche e cliniche contemporanee il trauma come chiave d accesso alla comprensione della sofferenza mentale o come leggenda scientifica da sfatare queste due posizioni si sono confrontate per quasi un secolo a partire dalla nascita della psichiatria moderna e della psicoterapia

trauma e relazioni le prospettive scientifiche e cliniche - Jun 18 2023

trauma e relazioni le prospettive scientifiche e cliniche contemporanee lo studio del diritto ecclesiastico attualità e prospettive 1 readings in intersemiosis and multimedia l apprendista lettore percorsi di avviamento alla prensione del testo con cd rom da twin peaks a twin peaks libri di traumi e

trauma e relazioni le prospettive scientifiche e cliniche - Sep 09 2022

trauma e relazioni le prospettive scientifiche e cliniche may 24th 2020 trauma e relazioni le prospettive scientifiche e cliniche contemporanee è un libro a cura di r williams pubblicato da cortina raffaello nella collana psichiatria psicoterapia neuroscienze acquista su ibs a 42 00 tspa tug do nlnetlabs nl 3 17

trauma e relazioni le prospettive scientifiche e cliniche - Oct 10 2022

feb 1 2009 trauma e relazioni le prospettive scientifiche e cliniche contemporanee on amazon com free shipping on
qualifying offers le prospettive scientifiche e cliniche contemporanee

trauma e relazioni le prospettive scientifiche e cliniche - Nov 11 2022

feb 1 2009 il trauma come chiave d accesso alla comprensione della sofferenza mentale o come leggenda sci trauma e
relazioni le prospettive scientifiche e cliniche contemporanee by unknown author goodreads

trauma e relazioni le prospettive scientifiche e cliniche - Apr 16 2023

trauma e relazioni le prospettive scientifiche e cliniche contemporanee williams r amazon it libri libri