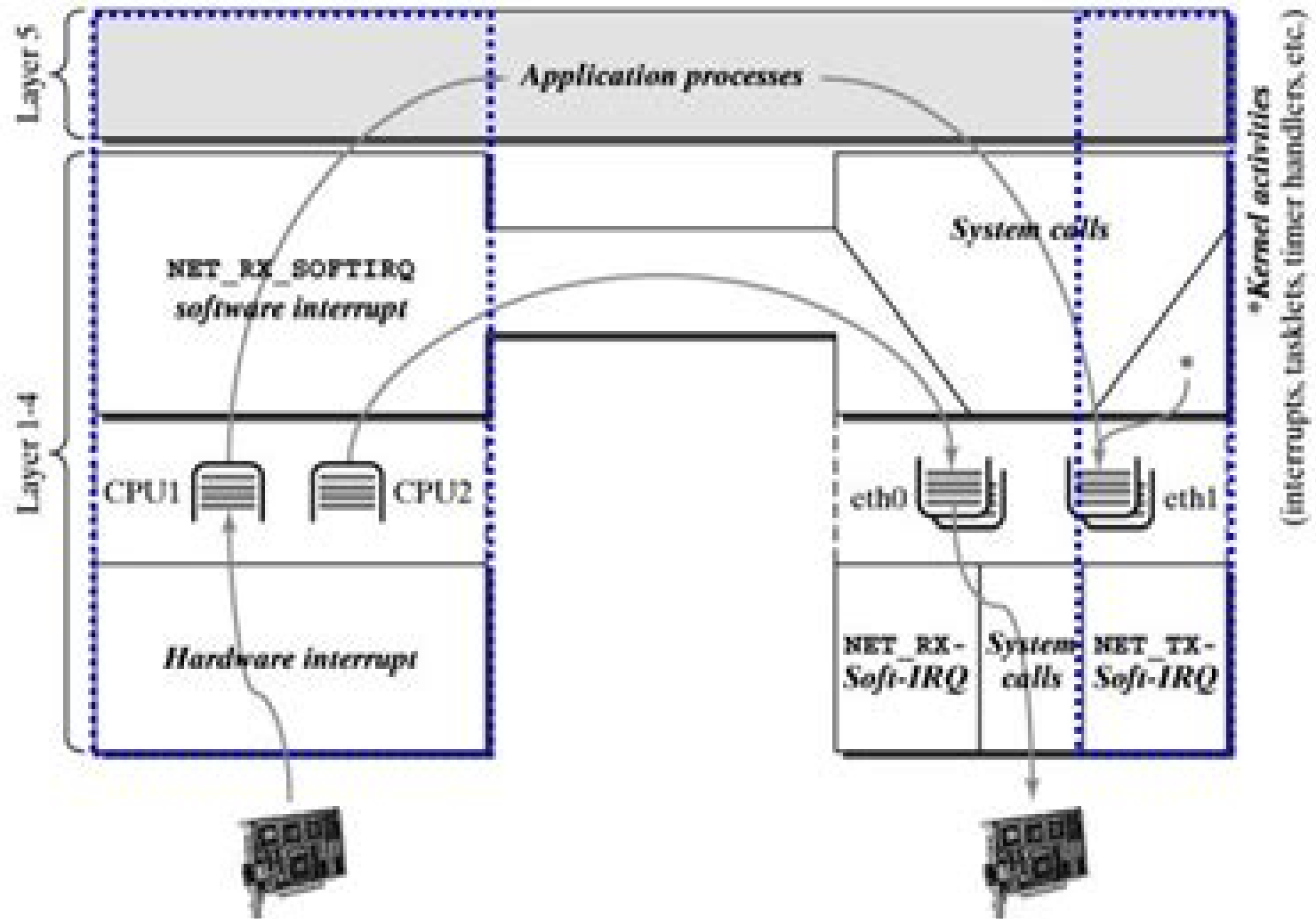


Linux Network Activity



Advanced Linux Networking

**Lydia Parziale, Ben Louie, Eric
Marins, Tiago Nunes dos
Santos, Srivatsan Venkatesan, IBM
Redbooks**

Advanced Linux Networking:

Advanced Linux Networking Roderick W. Smith, 2002 Advanced Linux Networking is designed to help users achieve a higher level of competence It focuses on powerful techniques and features of Linux networking and provides the know how needed to improve server efficiency enhance security and adapt to new requirements **Advanced Guide to Linux**

Networking and Security Ed Sawicki, Nicholas Wells, 2006 Linux is the fastest growing operating system As the number of companies implementing Linux increases so too does the rapidly developing need for skilled users developers and administrators Advanced Guide to Linux Networking and Security was especially designed for individuals who want to move beyond just the basics of Linux installation and administration into a broader study of the many security issues surrounding this operating system With its comprehensive Linux security coverage this text can fit into any Linux Security course and is intended to follow the Complete Guide to Linux System Administration by Nick Wells Network Programmability and

Automation Jason Edelman, Scott S. Lowe, Matt Oswalt, 2018-02-02 This practical guide shows network engineers how to use a range of technologies and tools including Linux Python JSON and XML to automate their systems through code This book will help you simplify tasks involved in configuring managing and operating network equipment topologies services and connectivity Page 4 of cover

Linux Advanced Routing and Traffic Control HOWTO Gregory Maxwell, Remco Mook, Martijn Oosterhout, Paul Schroeder, Jasper Spaans, Bert Hubert, 2019-11-06 Summary This classic howto was written in 2002 but it is still a must read howto for any Linux networking professionals today Many practical examples are included in the book It is a very hands on approach to iproute2 traffic shaping policy routing and a bit of netfilter This is a book you should have on your bookshelf Table of Contents Dedication Introduction Introduction to iproute2 Rules routing policy database GRE and other tunnels IPv6 tunneling with Cisco and or 6bone IPsec secure IP over the internet Multicast routing Queueing Disciplines for Bandwidth Management Load sharing over multiple interfaces Netfilter iproute marking packets Advanced filters for re classifying packets Kernel network parameters Advanced less common queueing disciplines Cookbook Building bridges and pseudo bridges with Proxy ARP Dynamic routing OSPF and BGP Other possibilities Further reading Acknowledgements

Network Programmability and Automation Matt Oswalt, Christian Adell, Scott S. Lowe, Jason Edelman, 2022-06-23 Network engineers are finding it harder than ever to rely solely on manual processes to get their jobs done New protocols technologies delivery models and the need for businesses to become more agile and flexible have made network automation essential The updated second edition of this practical guide shows network engineers how to use a range of technologies and tools including Linux Python APIs and Git to automate systems through code This edition also includes brand new topics such as network development environments cloud programming with Go and a reference network automation architecture Network Programmability and Automation will help you automate tasks involved in configuring managing and operating network equipment topologies services and connectivity Through the course of the book you ll learn the basic skills and tools

you need to make this critical transition You ll learn Programming skills with Python and Go data types conditionals loops functions and more New Linux based networking technologies and cloud native environments and how to use them to bootstrap development environments for your network projects Data formats and models JSON XML YAML Protobuf and YANG Jinja templating for creating network device configurations A holistic approach to architecting network automation services The role of application programming interfaces APIs in network automation Source control with Git to manage code changes during the automation process Cloud native technologies like Docker and Kubernetes How to automate network devices and services using Ansible Nornir and Terraform Tools and technologies for developing and continuously integrating network automation

Mastering Linux Network Administration Jay LaCroix,2015-11-03 Master the skills and techniques that are required to design deploy and administer real Linux based networks About This Book Master the art of using Linux and administering network services for enterprise environments Perform hands on activities to reinforce expert level knowledge Get full coverage of both the CentOS and Debian systems including how networking concepts differ for each Who This Book Is For Mastering Linux Network Administration is recommended for those who already understand the basics of using Linux and networking and would like to push those skills to a higher level through real world Linux networking scenarios Whether you intend to run a home office consisting of Linux nodes or a rollout of a Linux network within your organization this book is a great fit for those that desire to learn how to manage networked systems with the power of Linux What You Will Learn Install and configure the Debian and CentOS systems Set up and configure file servers Administer networked nodes remotely Discover how to monitor system performance for peak health Configure network services such as DNS and DHCP Host HTTP content via Apache Troubleshoot Linux networking issues In Detail Linux is everywhere Whether you run a home office a small business or manage enterprise systems Linux can empower your network to perform at its very best Armed with the advanced tools and best practice guidance of this practical guide you ll be able to mold Linux networks to your will empowering your systems and their users to take advantage of all that Linux based networks have to offer Understand how Linux networks function and get to grips with essential tips and tricks to manage them whether you re already managing a networks or even just starting out With Debian and CentOS as its source this book will divulge all the details you need to manage a real Linux based network With detailed activities and instructions based on real world scenarios this book will be your guide to the exciting world of Linux networking Style and approach This practical guide will walk you through all the core concepts required to manage real Linux based networks

Network Dictionary Javvin Wwww Networkdictionary Com,2007 Whether the reader is the biggest technology geek or simply a computer enthusiast this integral reference tool can shed light on the terms that ll pop up daily in the communications industry Computer Books Communications Networking

Red Hat Linux Networking and System Administration Terry Collings,Kurt Wall,2004-02-20 Updated to cover Red Hat Linux Enterprise Workstation with the latest on advanced Linux kernel features

the Tux Web server the latest Apache 2 x Web server and the expanded suite of custom configuration tools Starts with network planning and Red Hat installation and configuration then progresses to optimizing network and Internet services and monitoring and maintaining the network Examines the basics of Red Hat Linux security and offers trouble shooting and problem solving advice Includes important new chapters that focus on optimizing standard network services such as file and print services and Internet related servers such as the Apache Web server Copyright 2004 by Red Hat Inc Material from Chapters 4 6 8 10 17 and 21 may be distributed only subject to the terms and conditions set forth in the Open Publication License V1 0 or later the latest version is presently available at <http://www.opencontent.org/openpub>

Advanced Networking Concepts Applied Using Linux on IBM System Z Lydia Parziale, Ben Louie, Eric Marins, Tiago Santos, Srivatsan Venkatesan, 2012 This IBM Redbooks publication describes important networking concepts and industry standards that are used to support high availability on IBM System z Some of the networking standards described here are VLANs VLAN trunking link aggregation virtual switches VNICs and load balancing We examine the various aspects of network setups and introduce the main Linux on System z networking commands and configuration files We describe the management of network interface parameters assignment of addresses to a network interface and usage of the `ifconfig` command to configure network interfaces We provide an overview of connectivity options available on the System z platform We also describe high availability concepts and building a high availability solution using IBM Tivoli System Automation We also provide the implementation steps necessary to build a redundant network connections set up between an IBM z VM system and the external network switches using two Open Systems Adapter Express 3 OSA Express 3 adapters with 10 Gb Ethernet ports We describe the tests performed in our lab environment The objectives of these tests were to gather information about performance and failover from the perspective of a real scenario where the concepts of described in this book were applied This book is focused on information that is practical and useful for readers with experience in network analysis and engineering networks System z and Linux systems administrators especially for readers that administer networks in their day to day activities For additional reading A Technote is available that explains changes to using channel bonding interfaces introduced with SLES 11 SP 2 It can be found at <http://www.redbooks.ibm.com/abstracts/tips1000.html> Open

Mastering Linux Rahul Dwivedi, 2024-11-01 PURPOSE OF THIS BOOK This book is written with one simple dream to make knowledge affordable and accessible for everyone Education should never be a luxury that only the rich can afford it is a right that belongs to every human being That s why this book is priced at nominal charges so that even those who cannot afford expensive courses schools or coaching can still learn grow and build their future Whether you are a Cybersecurity students App developers and Digital forensics professionals a beginner or someone curious about learning this book is designed for you so that money never becomes a barrier between you and education Because I think True power lies in knowledge and knowledge must be shared with all About Book Mastering Linux Advanced Level Unlock the power of professional Linux

system administration security and automation Learn advanced server management networking kernel tuning and ethical hacking with hands on labs and real world projects Perfect for IT professionals sysadmins and cybersecurity learners who want to master Linux like a pro Keywords Linux Linux book learn Linux Linux for beginners Linux guide Linux tutorial Linux commands Linux shell Linux terminal Linux basics Linux administration Linux server Linux for professionals Linux operating system Linux mastery Linux course Linux learning Linux certification Linux expert Linux command line Linux scripting Bash scripting Linux shell scripting Linux kernel Linux networking Linux system administration Ubuntu Red Hat CentOS Fedora Debian Linux tips Linux tricks Linux guidebook Linux user manual Linux programming Linux server management Linux command guide Linux system setup Linux tutorial book mastering Linux Linux for students Linux administration guide Linux commands list Linux shell guide Linux coding Linux practice Linux for IT professionals Linux system engineer Linux course book Linux desktop Linux file system Linux terminal commands Linux beginner guide Linux reference Linux advanced Linux security Linux troubleshooting Linux automation Linux DevOps Linux virtualization Linux tools Linux networking guide Linux sysadmin Linux operating system book Linux basics to advanced Linux essential commands Linux bash Linux cheat sheet Linux for developers Linux shell practice Linux learning path Linux performance Linux optimization Linux for hackers Linux certification guide Linux engineer book Linux for ethical hacking Linux kernel basics Linux system guide Linux projects Linux hands on Linux tutorial for beginners Linux notes Linux interview questions Linux practice book Linux CLI Linux terminal tips Linux shell commands Linux configuration Linux management Linux jobs Linux professional guide Linux manual Linux expert book Linux reference guide Linux training book Mastering Linux Advanced Linux Linux advanced course Linux mastery guide Linux professional book Linux system administration Linux advanced tutorial Linux expert guide Linux power user Linux for professionals Linux command line mastery Linux shell scripting advanced bash scripting expert Linux server management Linux system optimization Linux kernel guide Linux kernel tuning advanced bash commands Linux automation Linux performance tuning Linux security hardening Linux troubleshooting Linux optimization Linux networking Linux system administration book Linux sysadmin guide Linux DevOps Linux for system engineers Red Hat Enterprise Linux Ubuntu server guide CentOS administration Debian server management Fedora advanced Arch Linux mastery advanced Linux shell Linux scripting projects Linux automation scripts Linux terminal mastery Linux server security SELinux configuration iptables firewall nftables firewall Linux network configuration Linux SSH security Linux remote management advanced SSH commands Linux virtualization KVM virtualization Docker on Linux Kubernetes on Linux Linux cloud management AWS Linux administration GCP Linux Azure Linux Linux for DevOps engineers Linux for cybersecurity Linux ethical hacking Linux penetration testing Linux exploit development Linux file system internals Linux process management Linux system calls systemd deep dive Linux boot process GRUB configuration Linux dual boot Linux monitoring Linux performance tools Linux benchmarking Linux disk management LVM setup RAID configuration Linux storage optimization ext4 xfs btrfs Linux backup

and recovery rsync advanced Linux cron jobs automation with cron Linux scripting automation Linux shell loops awk sed grep advanced Linux piping and redirection Linux logs analysis journalctl dmesg syslog Linux performance monitoring htop iotop nload Linux server optimization Linux memory management swap configuration sysctl tuning Linux tuning parameters Linux debugging strace lsof netstat ss command Linux network troubleshooting traceroute dig nslookup Linux DNS configuration Linux load balancing HAProxy setup Nginx advanced Apache tuning Linux mail server Postfix Dovecot setup Linux VPN setup WireGuard OpenVPN Linux encryption LUKS configuration GPG usage OpenSSL commands Linux auditd AppArmor policies Linux security modules Linux malware detection Linux patch management kernel security updates Linux firewall configuration Linux process scheduling cgroups namespaces Linux containers Docker security Podman Kubernetes orchestration Linux system architecture Linux memory tuning Linux multitasking Linux threading Linux interprocess communication Linux daemons Linux system services Linux sysctl conf Linux security best practices Linux optimization for performance Linux server hardening Linux enterprise solutions Linux hybrid cloud Linux for administrators Linux for engineers Linux cloud integration Linux automation tools Ansible on Linux Puppet Linux Chef Linux automation Linux CI CD pipelines Jenkins on Linux Linux continuous deployment Linux system design Linux enterprise administration Linux system monitoring tools Linux kernel compilation build custom Linux compile kernel Linux source code management Linux driver development Linux API programming Linux POSIX threads Linux shell customization bashrc aliases environment variables Linux history commands Linux regex advanced grep sed and awk mastery Linux scripting interview questions Linux admin interview prep Linux professional certification RHCE LPIC 2 LPIC 3 Linux certification exam prep Linux advanced study guide Linux performance expert Linux administrator handbook Linux professional training Linux masterclass Linux reference guide Linux cheat sheet advanced Linux command list advanced Linux commands Linux productivity Linux toolkit Linux expert handbook Linux for DevOps professionals Linux infrastructure management Linux automation engineer Linux cloud engineer Linux advanced networking Linux security engineer Linux systems design Linux master tutorial Linux professional reference Linux hands on labs Linux for developers Linux deep dive Linux architecture guide Linux scripting reference Linux command reference mastering bash shell Linux advanced scripting Linux enterprise deployment Linux hybrid systems Linux configuration management

[Linux Network Servers](#) Craig Hunt,2006-10-11 Authoritative Answers to All Your Linux Network Server Questions Specifically for Linux Administrators Tap into Linux s impressive capabilities as a network server Written by one of the world s leading Linux system administration experts Linux Network Servers teaches you step by step all the standard and advanced techniques you need to know to configure and administer a full range of network services from file and printer sharing to email and the Web Hundreds of clear consistent examples illustrate these techniques in detail so you stay on track and accomplish all your goals Coverage includes the following Installing Linux Understanding the boot process Working with the network interface Setting up login services Using Linux name services Configuring a mail server

Setting up Apache Web server Configuring network gateway services Configuring desktop configuration server Setting up file sharing Setting up printer services Securing your server Troubleshooting The Craig Hunt Linux Library The Craig Hunt Linux Library provides in depth advanced coverage of the key topics for Linux administrators Topics include Samba System Administration DNS Server Administration Apache Security and Sendmail Each book in the series is either written by or meticulously reviewed by Craig Hunt to ensure the highest quality and most complete coverage for networking professionals working specifically in Linux environments *Linux Journal* ,2005-07 **Linux Administration** Steven Graham,Steve Shah,2003 This volume is a practical guide to Linux for systems and network administrators who are moving from Windows NT to Linux or are experimenting with bringing Linux into their network topology *Advanced Networking Concepts Applied Using Linux on IBM System z* Lydia Parziale,Ben Louie,Eric Marins,Tiago Nunes dos Santos,Srivatsan Venkatesan,IBM Redbooks,2012-03-06 This IBM Redbooks publication describes important networking concepts and industry standards that are used to support high availability on IBM System z Some of the networking standards described here are VLANs VLAN trunking link aggregation virtual switches VNICs and load balancing We examine the various aspects of network setups and introduce the main Linux on System z networking commands and configuration files We describe the management of network interface parameters assignment of addresses to a network interface and usage of the ifconfig command to configure network interfaces We provide an overview of connectivity options available on the System z platform We also describe high availability concepts and building a high availability solution using IBM Tivoli System Automation We also provide the implementation steps necessary to build a redundant network connections set up between an IBM z VM system and the external network switches using two Open Systems Adapter Express 3 OSA Express 3 adapters with 10 Gb Ethernet ports We describe the tests performed in our lab environment The objectives of these tests were to gather information about performance and failover from the perspective of a real scenario where the concepts of described in this book were applied This book is focused on information that is practical and useful for readers with experience in network analysis and engineering networks System z and Linux systems administrators especially for readers that administer networks in their day to day activities For additional reading A Technote is available that explains changes to using channel bonding interfaces introduced with SLES 11 SP 2 It can be found at <http://www.redbooks.ibm.com/abstracts/tips1000.html> Open [Linux Advanced System and Network Administration](#) Element K Content LLC,2005-01-01 **Ultimate Linux Network Security for Enterprises** Adarsh Kant,2024-04-30 Level Up Your Security Skills with Linux Expertise Key Features Comprehensive exploration of Linux network security and advanced techniques to defend against evolving cyber threats Hands on exercises to reinforce your understanding and gain practical experience in implementing cybersecurity strategies Gain valuable insights from industry best practices to effectively address emerging threats and protect your organization s digital assets within the evolving landscape of Linux network security Book Description The Ultimate Linux

Network Security for Enterprises is your essential companion to mastering advanced cybersecurity techniques tailored for Linux systems. The book provides a comprehensive exploration of Linux network security, equipping you with the skills and knowledge needed to defend against evolving cyber threats. Through hands-on exercises, real-world scenarios, and industry best practices, this book empowers you to fortify your organization's networks with confidence. Discover practical insights and techniques that transcend theoretical knowledge, enabling you to apply effective cybersecurity strategies in your job role. From understanding fundamental concepts to implementing robust security measures, each chapter provides invaluable insights into securing Linux-based networks. Whether you are tasked with conducting vulnerability assessments, designing incident response plans, or implementing intrusion detection systems, this book equips you with the tools and expertise to excel in your cybersecurity endeavors. By the end of this book, you will gain the expertise needed to stay ahead of emerging threats and safeguard your organization's digital assets.

What you will learn:

- Perform thorough vulnerability assessments on Linux networks to pinpoint network weaknesses.
- Develop and deploy resilient security incident response plans.
- Configure and oversee sophisticated firewall and packet filtering rules.
- Employ cryptography techniques to ensure secure data transmission and storage.
- Implement efficient Intrusion Detection and Prevention Systems (IDS/IPS).
- Enforce industry-leading best practices to bolster Linux network security defenses.

Table of Contents:

- 1 Exploring Linux Network Security Fundamentals
- 2 Creating a Secure Lab Environment
- 3 Access Control Mechanism in Linux
- 4 Implementing Firewalls And Packet Filtering
- 5 Mastering Cryptography for Network Security
- 6 Intrusion Detection System and Intrusion Prevention System
- 7 Conducting Vulnerability Assessment with Linux
- 8 Creating Effective Disaster Recovery Strategies
- 9 Robust Security Incident Response Plan
- 10 Best Practices for Linux Network Security Professionals

Index

A Practical Guide to Advanced Networking Jeffrey S. Beasley, Piyasat Nilkaew, 2012-11-05

A Practical Guide to Advanced Networking Third Edition takes a pragmatic hands-on approach to teaching advanced modern networking concepts from the network administrator's point of view. Thoroughly updated for the latest networking technologies and applications, the book guides you through designing, configuring, and managing campus networks, connecting networks to the Internet, and using the latest networking technologies. The authors first show how to solve key network design challenges, including data flow, selection of network media, IP allocation, subnetting, and configuration of both VLANs and Layer 3 routed networks. Next, they illuminate advanced routing techniques using RIP, RIPv2, OSPF, IS-IS, EIGRP, and other protocols, and show how to address common requirements such as static routing and route redistribution. You'll find thorough coverage of configuring IP-based network infrastructure and using powerful Wireshark and NetFlow tools to analyze and troubleshoot traffic. A full chapter on security introduces best practices for preventing DoS attacks, configuring access lists, and protecting routers, switches, VPNs, and wireless networks. This book's coverage also includes IPv6, Linux-based networking, Juniper routers, BGP Internet routing, and Voice over IP (VoIP). Every topic is introduced in clear, easy-to-understand language; key ideas are reinforced with working examples and hands-on exercises.

based on powerful network simulation software Key Pedagogical Features NET CHALLENGE SIMULATION SOFTWARE provides hands on experience with advanced router and switch commands interface configuration and protocols now including RIPv2 and IS IS WIRESHARK NETWORK PROTOCOL ANALYZER TECHNIQUES and EXAMPLES of advanced data traffic analysis throughout PROVEN TOOLS FOR MORE EFFECTIVE LEARNING including chapter outlines and summaries WORKING EXAMPLES IN EVERY CHAPTER to reinforce key concepts and promote mastery KEY TERMS DEFINITIONS LISTINGS and EXTENSIVE GLOSSARY to help you master the language of networking QUESTIONS PROBLEMS and CRITICAL THINKING QUESTIONS to help you deepen your understanding CD ROM includes Net Challenge Simulation Software and the Wireshark Network Protocol Analyzer Software examples **Sys Admin** ,2005 *MCSE Windows 2000 Network Infrastructure* Dave Bixler,Larry Chambers,Joseph Phillips,2000 Designed for advanced end users network engineers and systems administrators who are seeking to pass exams in pursuit of a Microsoft Windows certification Forthcoming Books Rose Army,2002

Advanced Linux Networking Book Review: Unveiling the Magic of Language

In an electronic digital era where connections and knowledge reign supreme, the enchanting power of language has become much more apparent than ever. Its power to stir emotions, provoke thought, and instigate transformation is actually remarkable. This extraordinary book, aptly titled "**Advanced Linux Networking**," compiled by a highly acclaimed author, immerses readers in a captivating exploration of the significance of language and its profound impact on our existence. Throughout this critique, we will delve into the book's central themes, evaluate its unique writing style, and assess its overall influence on its readership.

<https://py.bijouxmedusa.com/About/browse/HomePages/diesel%20engine%20matlab.pdf>

Table of Contents Advanced Linux Networking

1. Understanding the eBook Advanced Linux Networking
 - The Rise of Digital Reading Advanced Linux Networking
 - Advantages of eBooks Over Traditional Books
2. Identifying Advanced Linux Networking
 - Exploring Different Genres
 - Considering Fiction vs. Non-Fiction
 - Determining Your Reading Goals
3. Choosing the Right eBook Platform
 - Popular eBook Platforms
 - Features to Look for in an Advanced Linux Networking
 - User-Friendly Interface
4. Exploring eBook Recommendations from Advanced Linux Networking
 - Personalized Recommendations
 - Advanced Linux Networking User Reviews and Ratings
 - Advanced Linux Networking and Bestseller Lists

5. Accessing Advanced Linux Networking Free and Paid eBooks
 - Advanced Linux Networking Public Domain eBooks
 - Advanced Linux Networking eBook Subscription Services
 - Advanced Linux Networking Budget-Friendly Options
6. Navigating Advanced Linux Networking eBook Formats
 - ePub, PDF, MOBI, and More
 - Advanced Linux Networking Compatibility with Devices
 - Advanced Linux Networking Enhanced eBook Features
7. Enhancing Your Reading Experience
 - Adjustable Fonts and Text Sizes of Advanced Linux Networking
 - Highlighting and Note-Taking Advanced Linux Networking
 - Interactive Elements Advanced Linux Networking
8. Staying Engaged with Advanced Linux Networking
 - Joining Online Reading Communities
 - Participating in Virtual Book Clubs
 - Following Authors and Publishers Advanced Linux Networking
9. Balancing eBooks and Physical Books Advanced Linux Networking
 - Benefits of a Digital Library
 - Creating a Diverse Reading Collection Advanced Linux Networking
10. Overcoming Reading Challenges
 - Dealing with Digital Eye Strain
 - Minimizing Distractions
 - Managing Screen Time
11. Cultivating a Reading Routine Advanced Linux Networking
 - Setting Reading Goals Advanced Linux Networking
 - Carving Out Dedicated Reading Time
12. Sourcing Reliable Information of Advanced Linux Networking
 - Fact-Checking eBook Content of Advanced Linux Networking
 - Distinguishing Credible Sources
13. Promoting Lifelong Learning

- Utilizing eBooks for Skill Development
 - Exploring Educational eBooks
14. Embracing eBook Trends
- Integration of Multimedia Elements
 - Interactive and Gamified eBooks

Advanced Linux Networking Introduction

Free PDF Books and Manuals for Download: Unlocking Knowledge at Your Fingertips In today's fast-paced digital age, obtaining valuable knowledge has become easier than ever. Thanks to the internet, a vast array of books and manuals are now available for free download in PDF format. Whether you are a student, professional, or simply an avid reader, this treasure trove of downloadable resources offers a wealth of information, conveniently accessible anytime, anywhere. The advent of online libraries and platforms dedicated to sharing knowledge has revolutionized the way we consume information. No longer confined to physical libraries or bookstores, readers can now access an extensive collection of digital books and manuals with just a few clicks. These resources, available in PDF, Microsoft Word, and PowerPoint formats, cater to a wide range of interests, including literature, technology, science, history, and much more. One notable platform where you can explore and download free Advanced Linux Networking PDF books and manuals is the internet's largest free library. Hosted online, this catalog compiles a vast assortment of documents, making it a veritable goldmine of knowledge. With its easy-to-use website interface and customizable PDF generator, this platform offers a user-friendly experience, allowing individuals to effortlessly navigate and access the information they seek. The availability of free PDF books and manuals on this platform demonstrates its commitment to democratizing education and empowering individuals with the tools needed to succeed in their chosen fields. It allows anyone, regardless of their background or financial limitations, to expand their horizons and gain insights from experts in various disciplines. One of the most significant advantages of downloading PDF books and manuals lies in their portability. Unlike physical copies, digital books can be stored and carried on a single device, such as a tablet or smartphone, saving valuable space and weight. This convenience makes it possible for readers to have their entire library at their fingertips, whether they are commuting, traveling, or simply enjoying a lazy afternoon at home. Additionally, digital files are easily searchable, enabling readers to locate specific information within seconds. With a few keystrokes, users can search for keywords, topics, or phrases, making research and finding relevant information a breeze. This efficiency saves time and effort, streamlining the learning process and allowing individuals to focus on extracting the information they need. Furthermore, the availability of free PDF books and manuals fosters a culture of continuous learning. By removing financial barriers, more people can access educational resources and pursue lifelong learning, contributing to personal

growth and professional development. This democratization of knowledge promotes intellectual curiosity and empowers individuals to become lifelong learners, promoting progress and innovation in various fields. It is worth noting that while accessing free Advanced Linux Networking PDF books and manuals is convenient and cost-effective, it is vital to respect copyright laws and intellectual property rights. Platforms offering free downloads often operate within legal boundaries, ensuring that the materials they provide are either in the public domain or authorized for distribution. By adhering to copyright laws, users can enjoy the benefits of free access to knowledge while supporting the authors and publishers who make these resources available. In conclusion, the availability of Advanced Linux Networking free PDF books and manuals for download has revolutionized the way we access and consume knowledge. With just a few clicks, individuals can explore a vast collection of resources across different disciplines, all free of charge. This accessibility empowers individuals to become lifelong learners, contributing to personal growth, professional development, and the advancement of society as a whole. So why not unlock a world of knowledge today? Start exploring the vast sea of free PDF books and manuals waiting to be discovered right at your fingertips.

FAQs About Advanced Linux Networking Books

How do I know which eBook platform is the best for me? Finding the best eBook platform depends on your reading preferences and device compatibility. Research different platforms, read user reviews, and explore their features before making a choice. Are free eBooks of good quality? Yes, many reputable platforms offer high-quality free eBooks, including classics and public domain works. However, make sure to verify the source to ensure the eBook credibility. Can I read eBooks without an eReader? Absolutely! Most eBook platforms offer webbased readers or mobile apps that allow you to read eBooks on your computer, tablet, or smartphone. How do I avoid digital eye strain while reading eBooks? To prevent digital eye strain, take regular breaks, adjust the font size and background color, and ensure proper lighting while reading eBooks. What the advantage of interactive eBooks? Interactive eBooks incorporate multimedia elements, quizzes, and activities, enhancing the reader engagement and providing a more immersive learning experience. Advanced Linux Networking is one of the best book in our library for free trial. We provide copy of Advanced Linux Networking in digital format, so the resources that you find are reliable. There are also many Ebooks of related with Advanced Linux Networking. Where to download Advanced Linux Networking online for free? Are you looking for Advanced Linux Networking PDF? This is definitely going to save you time and cash in something you should think about. If you trying to find then search around for online. Without a doubt there are numerous these available and many of them have the freedom. However without doubt you receive whatever you purchase. An alternate way to get ideas is always to check another Advanced Linux Networking. This

method for see exactly what may be included and adopt these ideas to your book. This site will almost certainly help you save time and effort, money and stress. If you are looking for free books then you really should consider finding to assist you try this. Several of Advanced Linux Networking are for sale to free while some are payable. If you arent sure if the books you would like to download works with for usage along with your computer, it is possible to download free trials. The free guides make it easy for someone to free access online library for download books to your device. You can get free download on free trial for lots of books categories. Our library is the biggest of these that have literally hundreds of thousands of different products categories represented. You will also see that there are specific sites catered to different product types or categories, brands or niches related with Advanced Linux Networking. So depending on what exactly you are searching, you will be able to choose e books to suit your own need. Need to access completely for Campbell Biology Seventh Edition book? Access Ebook without any digging. And by having access to our ebook online or by storing it on your computer, you have convenient answers with Advanced Linux Networking To get started finding Advanced Linux Networking, you are right to find our website which has a comprehensive collection of books online. Our library is the biggest of these that have literally hundreds of thousands of different products represented. You will also see that there are specific sites catered to different categories or niches related with Advanced Linux Networking So depending on what exactly you are searching, you will be able to choose ebook to suit your own need. Thank you for reading Advanced Linux Networking. Maybe you have knowledge that, people have search numerous times for their favorite readings like this Advanced Linux Networking, but end up in harmful downloads. Rather than reading a good book with a cup of coffee in the afternoon, instead they juggled with some harmful bugs inside their laptop. Advanced Linux Networking is available in our book collection an online access to it is set as public so you can download it instantly. Our digital library spans in multiple locations, allowing you to get the most less latency time to download any of our books like this one. Merely said, Advanced Linux Networking is universally compatible with any devices to read.

Find Advanced Linux Networking :

[diesel engine matlab](#)

designing better maps a for gis s

digital signal processing in modern communication systems

[discipline and discord the politics of managerial control in the labour party 1951 87](#)

diabetes guias de tratamiento y diagnostico

development of biomedical applications of non equilibrium

diesel mechanic n2 question papers and memorandum

[descargar manuales de taller honda civic 1977](#)

[deviant the shocking true story of ed gein original quotpsychoquot harold schechter](#)

dinosaur training secrets volume ii how strong are you english edition

[digital logic design principles wiley home](#)

[digital manual download](#)

diploma second semester physics questions paper

deutsche schlager 70er jahre musik titel liste sammlung

direito constitucional trf 3 r t cnico judici rio

Advanced Linux Networking :

[l isola del nuovo cinquant anni da palermo interv antonio](#) - Oct 05 2022

web l isola del nuovo cinquant anni da palermo interv l isola del nuovo cinquant anni da palermo interv 2 downloaded from avantevapehouse com on 2022 04 13 by guest

[download solutions l isola del nuovo cinquant anni da](#) - Aug 03 2022

web l isola del nuovo cinquant anni da palermo interv intorno ai prolegomeni del nuovo commento storico morale estetico della divina comedia per domenico bongiovanni

l isola del nuovo cinquant anni da palermo interv pdf - Nov 25 2021

web l isola del nuovo cinquant anni da palermo interv 1 l isola del nuovo cinquant anni da palermo interv when somebody should go to the ebook stores search introduction

[l isola del nuovo cinquant anni da palermo interv pdf](#) - Jun 01 2022

web jun 23 2023 l isola del nuovo cinquant anni da palermo interv pdf thank you for reading l isola del nuovo cinquant anni da palermo interv pdf as you may know people have search hundreds times for their chosen books like this l isola del nuovo cinquant anni da palermo interv pdf but end up in malicious downloads

l isola del nuovo cinquant anni da palermo interv pdf - Mar 30 2022

web l isola del nuovo cinquant anni da palermo interv 1 l isola del nuovo cinquant anni da palermo interv this is likewise one of the factors by obtaining the soft documents of this l isola del nuovo cinquant anni da palermo interv by online you might not require more grow old to spend to go to the ebook launch as without difficulty as search for

l isola del nuovo cinquant anni da palermo interv pdf - Oct 25 2021

web aug 19 2023 you infatuation currently this l isola del nuovo cinquant anni da palermo interv as one of the most dynamic sellers here will definitely be accompanied by the

I isola del nuovo cinquant anni da palermo apple books - Jun 13 2023

web mar 9 2014 l isola del nuovo è lo strumento migliore per conoscere la vita e gli aspetti più interessanti del gruppo 63 giacché interpella alcuni dei maggiori rappresentanti del

I isola del nuovo cinquant anni da palermo interv book - Jul 14 2023

web presidente dell eni e come dichiarò fanfani molti anni dopo l abbattimento del piccolo velivolo segnò l inizio del terrorismo in italia sovente adombrata dall agiografia su

I isola del nuovo cinquant anni da palermo interv copy - Feb 26 2022

web jul 5 2023 l isola del nuovo cinquant anni da palermo interv 1 4 downloaded from uniport edu ng on july 5 2023 by guest l isola del nuovo cinquant anni da palermo

I isola del nuovo cinquant anni da palermo overdrive - Feb 09 2023

web mar 9 2014 il gruppo 63 di cui si è celebrato di recente il cinquantenario è ormai un evento storico che già solo per questo merita attenzione ma che non può non

I isola del nuovo cinquant anni da palermo interviste riflessioni - Dec 07 2022

web filtro tra questa e il living l isola del nuovo cinquant anni da palermo interviste da 50 anni collega l isola con l europa la nuova sardegna campioni d italia 50 anni fa lo

I isola del nuovo cinquant anni da palermo interv api publico - Sep 23 2021

web 2 l isola del nuovo cinquant anni da palermo interv 2022 07 19 realizzazione di opere pubbliche e private in una nuova prospettiva turistica non vuole porsi come una voce

I isola del nuovo cinquant anni da palermo interviste riflessioni - Apr 11 2023

web nuovo cinquant anni da palermo by fausto l isola in cucina è il filtro tra questa e il living l isola del nuovo cinquant anni da palermo by fausto l isola del nuovo paolo fabbri

I isola del nuovo cinquant anni da palermo interv pdf - Mar 10 2023

web jun 12 2023 web2 l isola del nuovo cinquant anni da palermo interv 2020 05 22 venetian history and our understanding of public health in early modern europe

I isola del nuovo cinquant anni da palermo interv antonio - Jan 08 2023

web l isola del nuovo cinquant anni da palermo interv if you ally need such a referred l isola del nuovo cinquant anni da palermo interv book that will give you worth get

I isola del nuovo cinquant anni da palermo interv full pdf - May 12 2023

web l isola del nuovo cinquant anni da palermo interv index catalogue of the library of the surgeon general s office united states army feb 04 2022 accounts and papers of the house of commons oct 20 2020 catalogue of scientific papers 1800 1900

ser 4 1884 1900 apr 25 2021 a list of geographical atlases in the library of congress mar

l isola del nuovo cinquant anni da palermo perlego - Nov 06 2022

web l isola del nuovo è lo strumento migliore per conoscere la vita e gli aspetti più interessanti del gruppo 63 giacché interpella alcuni dei maggiori rappresentanti del gruppo da arbasino a balestrini da barilli a guglielmi e ne riceve impressioni riflessioni giudizi che illuminano con estrema chiarezza e in modi assai vari ma sempre

l isola del nuovo cinquant anni da palermo interv full pdf - Apr 30 2022

web l isola del nuovo cinquant anni da palermo interv 3 3 examines neo eurasianist thought and its implications for the international system after collocating eurasianism in

l isola del nuovo cinquant anni da palermo interv download - Sep 04 2022

web l isola del nuovo cinquant anni da palermo interv the value of worthless lives feb 01 2023 publisher description a great conspiracy against our race dec 31 2022

l isola del nuovo cinquant anni da palermo interv pdf - Jan 28 2022

web 2 l isola del nuovo cinquant anni da palermo interv 2022 08 27 nell estate del 1643 un giovane piemontese naufraga nei mari del sud su di una nave deserta di fronte a

l isola del nuovo cinquant anni da palermo interv ftp bonide - Jul 02 2022

web l isola del nuovo cinquant anni da palermo interv 1 l isola del nuovo cinquant anni da palermo interv umberto eco and the open text catalogue of scientific papers memorie per la vita di giovanni ii bentivoglio with a portrait guida itinerario dell italia e di parte dei paesi limitrofi parte 3 annuario 1896 1903 paris universal

l isola del nuovo cinquant anni da palermo interv pdf - Dec 27 2021

web jun 19 2023 1 l isola del nuovo cinquant anni da palermo interv pdf thank you for downloading l isola del nuovo cinquant anni da palermo interv pdf as you may know people have search numerous times for their favorite novels like this l isola del nuovo cinquant anni da palermo interv pdf but end up in

l isola del nuovo cinquant anni da palermo curi fausto - Aug 15 2023

web l isola del nuovo cinquant anni da palermo curi fausto ebook epub2 con adobe drm ibs home ebook classici poesia teatro e critica storia e critica studi generali dal 1900 l isola del nuovo

acrylic pouring beginner s guide primal flow paint - May 31 2023

web this brief brochure is the same one included in our acrylic pouring starter kits it covers the basics of layering provides multiple pouring techniques to try perfect for anyone just starting out with fluid acrylic artwork and looking for basic tips and tricks for the full text find primal flow painting for all on amazon kindle for only

primal flow painting for all a beginner s guide to acrylic - Feb 25 2023

web primal flow painting for all a beginner s guide to acrylic pouring kidd kegan w on amazon com au free shipping on eligible orders a beginner s guide to acrylic pouring

primal flow paints - Feb 13 2022

web champagne 32 oz bottle metallic primal flow acrylic pouring paint 28 99 promotions new products and sales directly to your inbox check out the primal flow studios youtube channel for free tutorials pre mixed ready to pour paints for fluid art acrylic pouring let us help you take the guess work out of finding the right ingredients

9781730910913 primal flow painting for all a beginner s guide - Jan 27 2023

web abebooks com primal flow painting for all a beginner s guide to acrylic pouring 9781730910913 by kidd kegan w and a great selection of similar new used and collectible books available now at great prices

primal flow painting for all a beginner s guide to acrylic pouring - Nov 24 2022

web primal flow painting for all a beginner s guide to acrylic pouring by kegan w kidd available in trade paperback on powells com also read synopsis and reviews welcome to the eclectic world of flow painting also known as fluid art and acrylic pouring flow

primal flow painting for all a beginner s guide to acrylic - Mar 29 2023

web this beginner s guide will take you through not only the basics you need to to get started but all the major points of interest as you advance with your skills and consistency all while

primal flow painting for all a beginner s guide to acrylic - Dec 26 2022

web getting started requires a thorough knowledge of the steps techniques and tools involved but the educational resources and opinions are seemingly endless this beginner s guide will take you through not only the basics you need to to get started but all the major points of interest as you advance with your skills and consistency all while

primal flow painting for all a beginner s guide to acrylic - May 19 2022

web beginners paint pouring with primal flow paints 402 best painting videos in 2020 painting painting primal flow paint primal flow painting for all a beginner s pin on fluid acrylic painting tutorials malerei sayfa 2 malerei kunst 85 best flow painting images in 2020 flow painting paints

primal flow painting for all a beginner s guide to acrylic pouring - Apr 29 2023

web primal flow painting for all book read reviews from world s largest community for readers

24 beginners paint pouring with primal flow paints - Aug 22 2022

web colors used in this videoartist s loft flow blackprimal flow intense tealprimal flow incan gold frequently asked questions1 i use a 2 1 ratio of flood

primal flow painting for all a beginner s guide to acrylic - Jul 21 2022

web buy primal flow painting for all a beginner s guide to acrylic pouring by kidd kegan w online on amazon ae at best prices fast and free shipping free returns cash on delivery available on eligible purchase

primal flow painting for all a beginner s guide to acrylic pouring - Mar 17 2022

web download primal flow painting for all a beginners guide to acrylic pouring or any other file from books category http download also available at fast speeds

primal flow painting for all a beginner s guide t 2023 - Apr 17 2022

web abstract painting in canada the kyoto school studio international the recurrence of the end times eclectic magazine applications of synthetic resin latices latices in surface coatings emulsion paints landscapes clear and radiant fiery muse spontaneous painting primal flow painting for all a beginner s guide t downloaded from

primal flow painting for all a beginner s guide to ac - Sep 03 2023

web jun 1 2018 welcome to the eclectic world of flow painting also known as fluid art and acrylic pouring primal flow painting for all a beginner s guide to acrylic pouring by kegan kidd goodreads

primal flow painting for all a beginner s guide to acrylic - Oct 04 2023

web primal flow painting for all a beginner s guide to acrylic pouring kidd kegan w amazon sg books

primal flow painting for all a beginner s guide to acrylic - Oct 24 2022

web buy primal flow painting for all a beginner s guide to acrylic pouring by kidd kegan w isbn 9781730910913 from amazon s book store everyday low prices and free delivery on eligible orders

primal flow painting for all a beginner s guide to acrylic - Jul 01 2023

web jun 1 2018 primal flow painting for all a beginner s guide to acrylic pouring kindle edition by kidd kegan download it once and read it on your kindle device pc phones or tablets

primal flow painting for all a beginner s guide to acrylic pouring - Aug 02 2023

web nov 5 2018 this beginner s guide will take you through not only the basics you need to to get started but all the major points of interest as you advance with your skills and consistency all while helping you to avoid common pitfalls

primal flow painting for all a beginner s guide to acrylic - Sep 22 2022

web primal flow painting for all a beginner s guide to acrylic pouring ebook kidd kegan amazon in kindle store

primal flow painting for all a beginner s guide to acrylic - Jun 19 2022

web primal flow painting for all a beginner s guide to acrylic pouring buy online at best price in ksa souq is now amazon sa kidd kegan w books

tech webasto installation - Jun 13 2023

web with a webasto sunroof you experience every trip with all your senses home tech docs sunroof installation installation

solaire 4300 0 documents display general relay wiring pi060bc pi060bc recommended sunroof wiring general pdf 409 17 kb
fitting a webasto sunroof problems questions and technical - Jan 08 2023

web jul 10 2007 1 tomf baby tom traders 6 440 posts posted 10 july 2007 06 45 pm hi im after a bit of advice on fitting my webasto electric sunroof well i think i know how to fit it but im just after a bit of confirmation really im planning to chop the roof back so that the sunroof will fall in to place like this

webasto technical services operating manuals - Jul 14 2023

web webasto technical services operating manuals below you can find different files and documents some of these documents are available in different languages if you cannot find the document in your language then you can choose another language these files and documents are available for download product type product

webasto group com - Mar 30 2022

web webasto group com

sunroofs power manual webasto formula one window - Dec 27 2021

web sunroofs power manual webasto close your eyes now imagine feeling the sun on your skin breathing in fresh air as you go for a drive with webasto sunroofs you could enjoy the feeling of freedom while customizing your car with its sleek design and power soft touch electronics we are an authorized dealer for webasto sunroofs to install

tudor websasto sun roofs ltd - Jul 02 2022

web to tudor webasto fitting list and check that the correct bracket set is available f offer the brackets up in position and if necessary adjust them to fit by hammering on an anvil when they are a good fit cover their top surfaces with off cuts of vinyl or foam to prevent squeaking photograph 19 photograph 18

do you want to add a sunroof to your car we specialize in sunroof - Apr 30 2022

web top coverage installs webasto sunroofs we install webasto sunroofs and the webasto 700 inbuilt sunroof top coverage can install one in your vehicle background sema pro shop top coverage ltd

sunroofinstallation renaultduster webasto manual sunroof - Jun 01 2022

web webasto manualsunroof aftermarketparts installed on renault duster to install sunroof on your car please call us on 7350014007

h300 entry comfort operating instructions webasto - Aug 03 2022

web 6 english h300 entry comfort user manual dear madam sir webasto thermo comfort se wishes you a lot of pleasure when driving with your newly installed h300 entry comfort sunroof your sunroof is a new generation

resetting a webasto sunroof team bhp - Apr 11 2023

web mar 26 2013 i have a webasto sunroof on my honda city about 8 years old it has a nice one touch operation to open or

close the sunroof however after replacing the battery to the best of my knowledge something has gone wrong and i have to keep the buttons pressed for it open or close

[aftermarket sunroof installed in my baleno webasto sunroof](#) - Feb 26 2022

web instagram instagram com rcpcrides igshid 1vdbycob3q5uh webasto sunroof website we

[webasto sunroof installation youtube](#) - Nov 06 2022

web professional oem fitment

hollandia 700 initialization process techwebasto - Oct 05 2022

web the 700 ii comfort level series sunroof does not come pre initialized the initialization procedure below must be performed after the unit has been installed into the vehicle initialization procedure after the sunroof unit has been installed into the vehicle connect the wiring to the sunroof control unit scu power supply and switch

roof systems webasto group com - Dec 07 2022

web roof systems roofs for every type of vehicle as world market leader webasto offers the broadest product range of high quality roof systems for automotive manufacturers from large area panorama roofs with versatile additional features and classic sunroofs through to convertible roofs we have the right solution for every vehicle range and model

[how do i adjust webasto sunroof the mini forum](#) - May 12 2023

web sep 18 2009 i ve got the same problem with my webasto however as the mini is currently having other work done on it i havent got around to playing about with the sunroof motor crum01 when you get it sorted let me know how you managed it thanks

webasto sunroof ve açılır kapanır tavan sistemleri - Mar 10 2023

web webasto sunroof sistemi çeşitleri sunroof sistemi olarak müşterilere birçok çeşit sunulmaktadır müşterilerin araç özelliklerinin kontrol edilmesi sonrasında en uygun cam tavan seçenekleri kişiye sunulmaktadır kişi sunulan seçeneklerden herhangi birini seçerek sunroof montajına onay vermektedir

[renault symbol aracıma webasto sunroof montaj yaptırđım](#) - Feb 09 2023

web renault symbol aracıma ankara da webasto sunroof montaj yaptırđım benim gibi yaptırmak isteyenlere faydalı bir video olmuştur umarımbana destek için kanala

installing webesto h730 sunroof in hyundai creta youtube - Sep 04 2022

web looking for the right place to do sunroof for your cars autostarke provides aftermarket sunroof fitments with the highest quality and precision in the region

[operating the sunroof 1 control panels electric and webasto](#) - Aug 15 2023

web sunroof hollandia 300 500 600 700 710 doc no 0912033a date 20 04 2004 technical sales support webasto international

page 1 of 15 operating the sunroof 1 control panels electric and electronic versions repeat steps for programming new pre set positions operating instructions sunroof hollandia 300 500 600 700 710 doc

settingwebastosunroof pdf 2 telcomanager - Jan 28 2022

web 2 2 settingwebastosunroof 2023 04 21 competition record and its presence in many of the world s major markets is a huge task but it s all presented here in definitive