

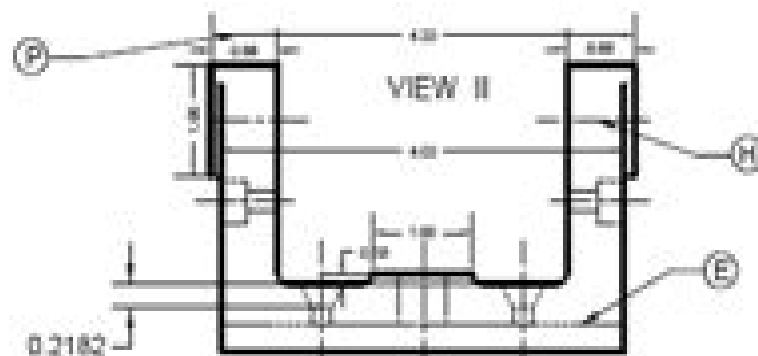
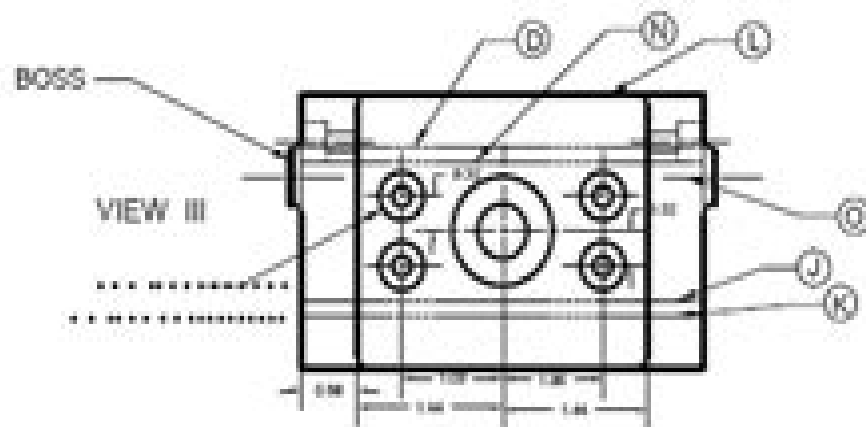
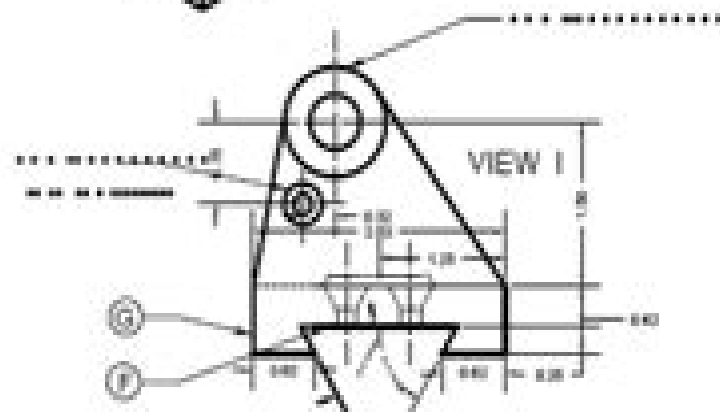
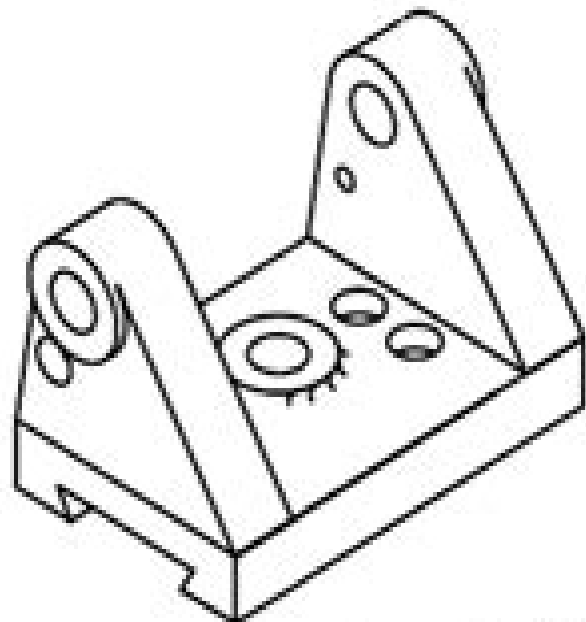
SLIDING SUPPORT

BP-13

MATL. GRAY CAST IRON

ORDER NO. 13310

NO. REGD 5



Basic Blueprint Reading And Sketching Answer Key

Minjie Lin



Basic Blueprint Reading And Sketching Answer Key:

Thank you completely much for downloading **Basic Blueprint Reading And Sketching Answer Key**. Most likely you have knowledge that, people have seen numerous times for their favorite books afterward this Basic Blueprint Reading And Sketching Answer Key, but end happening in harmful downloads.

Rather than enjoying a fine ebook next a mug of coffee in the afternoon, instead they juggled as soon as some harmful virus inside their computer. **Basic Blueprint Reading And Sketching Answer Key** is friendly in our digital library an online entrance to it is set as public correspondingly you can download it instantly. Our digital library saves in multiple countries, allowing you to get the most less latency period to download any of our books subsequently this one. Merely said, the Basic Blueprint Reading And Sketching Answer Key is universally compatible subsequently any devices to read.

https://py.bijouxmedusa.com/About/publication/Download_PDFS/Campbell_Biology_8th_Edition_Chapter_9_Test_Bank.pdf

Table of Contents Basic Blueprint Reading And Sketching Answer Key

1. Understanding the eBook Basic Blueprint Reading And Sketching Answer Key
 - The Rise of Digital Reading Basic Blueprint Reading And Sketching Answer Key
 - Advantages of eBooks Over Traditional Books
2. Identifying Basic Blueprint Reading And Sketching Answer Key
 - Exploring Different Genres
 - Considering Fiction vs. Non-Fiction
 - Determining Your Reading Goals
3. Choosing the Right eBook Platform
 - Popular eBook Platforms
 - Features to Look for in a Basic Blueprint Reading And Sketching Answer Key
 - User-Friendly Interface
4. Exploring eBook Recommendations from Basic Blueprint Reading And Sketching Answer Key
 - Personalized Recommendations
 - Basic Blueprint Reading And Sketching Answer Key User Reviews and Ratings

- Basic Blueprint Reading And Sketching Answer Key and Bestseller Lists
- 5. Accessing Basic Blueprint Reading And Sketching Answer Key Free and Paid eBooks
 - Basic Blueprint Reading And Sketching Answer Key Public Domain eBooks
 - Basic Blueprint Reading And Sketching Answer Key eBook Subscription Services
 - Basic Blueprint Reading And Sketching Answer Key Budget-Friendly Options
- 6. Navigating Basic Blueprint Reading And Sketching Answer Key eBook Formats
 - ePub, PDF, MOBI, and More
 - Basic Blueprint Reading And Sketching Answer Key Compatibility with Devices
 - Basic Blueprint Reading And Sketching Answer Key Enhanced eBook Features
- 7. Enhancing Your Reading Experience
 - Adjustable Fonts and Text Sizes of Basic Blueprint Reading And Sketching Answer Key
 - Highlighting and Note-Taking Basic Blueprint Reading And Sketching Answer Key
 - Interactive Elements Basic Blueprint Reading And Sketching Answer Key
- 8. Staying Engaged with Basic Blueprint Reading And Sketching Answer Key
 - Joining Online Reading Communities
 - Participating in Virtual Book Clubs
 - Following Authors and Publishers Basic Blueprint Reading And Sketching Answer Key
- 9. Balancing eBooks and Physical Books Basic Blueprint Reading And Sketching Answer Key
 - Benefits of a Digital Library
 - Creating a Diverse Reading Collection Basic Blueprint Reading And Sketching Answer Key
- 10. Overcoming Reading Challenges
 - Dealing with Digital Eye Strain
 - Minimizing Distractions
 - Managing Screen Time
- 11. Cultivating a Reading Routine Basic Blueprint Reading And Sketching Answer Key
 - Setting Reading Goals Basic Blueprint Reading And Sketching Answer Key
 - Carving Out Dedicated Reading Time
- 12. Sourcing Reliable Information of Basic Blueprint Reading And Sketching Answer Key
 - Fact-Checking eBook Content of Basic Blueprint Reading And Sketching Answer Key
 - Distinguishing Credible Sources

13. Promoting Lifelong Learning
 - Utilizing eBooks for Skill Development
 - Exploring Educational eBooks
14. Embracing eBook Trends
 - Integration of Multimedia Elements
 - Interactive and Gamified eBooks

Basic Blueprint Reading And Sketching Answer Key Introduction

Basic Blueprint Reading And Sketching Answer Key Offers over 60,000 free eBooks, including many classics that are in the public domain. Open Library: Provides access to over 1 million free eBooks, including classic literature and contemporary works. Basic Blueprint Reading And Sketching Answer Key Offers a vast collection of books, some of which are available for free as PDF downloads, particularly older books in the public domain. Basic Blueprint Reading And Sketching Answer Key : This website hosts a vast collection of scientific articles, books, and textbooks. While it operates in a legal gray area due to copyright issues, its a popular resource for finding various publications. Internet Archive for Basic Blueprint Reading And Sketching Answer Key : Has an extensive collection of digital content, including books, articles, videos, and more. It has a massive library of free downloadable books. Free-eBooks Basic Blueprint Reading And Sketching Answer Key Offers a diverse range of free eBooks across various genres. Basic Blueprint Reading And Sketching Answer Key Focuses mainly on educational books, textbooks, and business books. It offers free PDF downloads for educational purposes. Basic Blueprint Reading And Sketching Answer Key Provides a large selection of free eBooks in different genres, which are available for download in various formats, including PDF. Finding specific Basic Blueprint Reading And Sketching Answer Key, especially related to Basic Blueprint Reading And Sketching Answer Key, might be challenging as theyre often artistic creations rather than practical blueprints. However, you can explore the following steps to search for or create your own Online Searches: Look for websites, forums, or blogs dedicated to Basic Blueprint Reading And Sketching Answer Key, Sometimes enthusiasts share their designs or concepts in PDF format. Books and Magazines Some Basic Blueprint Reading And Sketching Answer Key books or magazines might include. Look for these in online stores or libraries. Remember that while Basic Blueprint Reading And Sketching Answer Key, sharing copyrighted material without permission is not legal. Always ensure youre either creating your own or obtaining them from legitimate sources that allow sharing and downloading. Library Check if your local library offers eBook lending services. Many libraries have digital catalogs where you can borrow Basic Blueprint Reading And Sketching Answer Key eBooks for free, including popular titles. Online Retailers: Websites like Amazon, Google Books, or Apple Books often sell eBooks. Sometimes, authors or publishers offer promotions or free periods for certain

books. Authors Website Occasionally, authors provide excerpts or short stories for free on their websites. While this might not be the Basic Blueprint Reading And Sketching Answer Key full book, it can give you a taste of the authors writing style. Subscription Services Platforms like Kindle Unlimited or Scribd offer subscription-based access to a wide range of Basic Blueprint Reading And Sketching Answer Key eBooks, including some popular titles.

FAQs About Basic Blueprint Reading And Sketching Answer Key Books

1. Where can I buy Basic Blueprint Reading And Sketching Answer Key books? Bookstores: Physical bookstores like Barnes & Noble, Waterstones, and independent local stores. Online Retailers: Amazon, Book Depository, and various online bookstores offer a wide range of books in physical and digital formats.
2. What are the different book formats available? Hardcover: Sturdy and durable, usually more expensive. Paperback: Cheaper, lighter, and more portable than hardcovers. E-books: Digital books available for e-readers like Kindle or software like Apple Books, Kindle, and Google Play Books.
3. How do I choose a Basic Blueprint Reading And Sketching Answer Key book to read? Genres: Consider the genre you enjoy (fiction, non-fiction, mystery, sci-fi, etc.). Recommendations: Ask friends, join book clubs, or explore online reviews and recommendations. Author: If you like a particular author, you might enjoy more of their work.
4. How do I take care of Basic Blueprint Reading And Sketching Answer Key books? Storage: Keep them away from direct sunlight and in a dry environment. Handling: Avoid folding pages, use bookmarks, and handle them with clean hands. Cleaning: Gently dust the covers and pages occasionally.
5. Can I borrow books without buying them? Public Libraries: Local libraries offer a wide range of books for borrowing. Book Swaps: Community book exchanges or online platforms where people exchange books.
6. How can I track my reading progress or manage my book collection? Book Tracking Apps: Goodreads, LibraryThing, and Book Catalogue are popular apps for tracking your reading progress and managing book collections. Spreadsheets: You can create your own spreadsheet to track books read, ratings, and other details.
7. What are Basic Blueprint Reading And Sketching Answer Key audiobooks, and where can I find them? Audiobooks: Audio recordings of books, perfect for listening while commuting or multitasking. Platforms: Audible, LibriVox, and Google Play Books offer a wide selection of audiobooks.
8. How do I support authors or the book industry? Buy Books: Purchase books from authors or independent bookstores. Reviews: Leave reviews on platforms like Goodreads or Amazon. Promotion: Share your favorite books on social media

or recommend them to friends.

9. Are there book clubs or reading communities I can join? Local Clubs: Check for local book clubs in libraries or community centers. Online Communities: Platforms like Goodreads have virtual book clubs and discussion groups.
10. Can I read Basic Blueprint Reading And Sketching Answer Key books for free? Public Domain Books: Many classic books are available for free as they're in the public domain. Free E-books: Some websites offer free e-books legally, like Project Gutenberg or Open Library.

Find Basic Blueprint Reading And Sketching Answer Key :

campbell biology 8th edition chapter 9 test bank

calculus an integrated approach to functions and their rates of change

cambridge a level psychology revision guide

by david a vallado fundamentals of astrodynamics and applications 4th ed space technology library 4th hardcover

calculus refresher a a klaf

~~captain marvel now 1 kelly sue deconnick~~

~~cambridge english young learners is at pre a1 a1 and a2~~

calendario 2018 vettoriale calendario 2018 mensile

cape pure mathematics study guide

cambridge grammar for cae and proficiency student book with answers and audio cds 2 cambridge books for cambridge exams

calculo tomo 1 10 edicion rustico por larson ron

by maulana syed abul ala maududi ra urdu tafheem ul quran

~~caps grade 10 maths lit exam papers~~

carnival and cannibal or the play of global antagonism seagull books the french list

carbon and high performance fibres directory and databook sixth edition

Basic Blueprint Reading And Sketching Answer Key :

after silence a history of aids through its images indiebound org - Apr 23 2022

web after silence a history of aids through its images finkelstein avram amazon com au books skip to main content com au delivering to sydney 1171 to change sign in or

[after silence a history of aids through its images hardcover](#) - Oct 18 2021

after silence a history of aids through its images avram - Feb 02 2023

web after silence a history of aids through its images by avram finkelstein and cell count by kyle croft and asher mones

review ryan conrad qed a journal in glbtq

after silence a history of aids through its images - Aug 28 2022

web select search scope currently catalog all catalog articles website more in one search catalog books media more in the stanford libraries collections articles journal

aids posters a community tool used to save lives - Jul 27 2022

web early in the 1980s aids epidemic six gay activists created one of the most iconic and lasting images that would come to symbolize a movement a protest poster of a pink

after silence a history of aids through its images google books - Jul 07 2023

web jun 30 2020 early in the 1980s aids epidemic six gay activists created one of the most iconic and lasting images that would come to symbolize a movement a protest poster of

after silence a history of aids through its images - May 05 2023

web in his writing about art and aids activism the formation of collectives and the political process finkelstein exposes us to a different side of the traditional hiv aids history told

israel gaza latest thousands flee gaza s largest hospital after - Dec 20 2021

[after silence a history of aids through its images](#) - Jan 01 2023

web jun 30 2020 early in the 1980s aids epidemic six gay activists created one of the most iconic and lasting images that would come to symbolize a movement a uh oh it looks

after silence a history of aids through its images hardcover - Jan 21 2022

web hello sign in account lists returns orders cart

after silence a history of aids through its images - Aug 08 2023

web early in the 1980s aids epidemic six gay activists created one of the most iconic and lasting images that would come to symbolize a movement a protest poster of a pink

after silence a history of aids through its images - Feb 19 2022

web nov 7 2017 buy after silence a history of aids through its images read books reviews amazon com amazon com after silence a history of aids through its

after silence a history of aids through its images - Sep 09 2023

web nov 7 2017 by avram finkelstein author 4 7 28 ratings see all formats and editions early in the 1980s aids epidemic six gay activists created one of the most iconic and

after silence a history of aids through its images - May 25 2022

web after silence a history of aids through its images finkelstein avram amazon com tr kitap

project muse after silence a history of aids through its - Oct 30 2022

web dec 1 2021 for more information on aids culture and posters check out after silence a history of aids through its images a book that traces the creation and impact of many

after silence a history of aids through its images on - Oct 10 2023

web early in the 1980s aids epidemic six gay activists created one of the most iconic and lasting images that would come to symbolize a movement a protest poster front

amazon com after silence a history of aids through its images - Nov 18 2021

after silence a history of aids through its images - Jun 06 2023

web buy after silence a history of aids through its images illustrated by finkelstein avram isbn 9780520295148 from amazon s book store everyday low prices and free

after silence a history of aids through its images google books - Apr 04 2023

web in his writing about art and aids activism the formation of collectives and the political process finkelstein exposes us to a different side of the traditional hiv aids history

after silence a history of aids through its images - Mar 03 2023

web after silence a history of aids through its images ebook written by avram finkelstein read this book using google play books app on your pc android ios devices

after silence a history of aids through its images by avram - Sep 28 2022

web oct 1 2019 search input search input auto suggest filter your search

after silence a history of aids through its images google play - Nov 30 2022

web jul 2 2020 buy after silence a history of aids through its images illustrated by finkelstein avram isbn 9780520351332 from amazon s book store everyday low

after silence a history of aids through its images - Jun 25 2022

web download after silen e a history of aids through its images pdf filetype pdf epub doc docx mobi this nice ebook and read the after silence a history of aids through

after silence a history of aids through its images - Mar 23 2022

web 1 day ago israel must stop bombing gaza french president emmanuel macron has told the bbc he said de facto today civilians are bombed de facto these babies these

[the midnight of your birth 5 carols for upper voi malcolm](#) - Sep 22 2022

web accomplish not discover the revelation the midnight of your birth 5 carols for upper voi that you are looking for it will utterly squander the time however below with you visit this web page it will be therefore certainly easy to acquire as without difficulty as download lead the midnight of your birth 5 carols for upper voi

mid night prayer commanding the day 02 11 2023 - Dec 26 2022

web feb 11 2023 mid night prayer commanding the day 02 11 2023

[the midnight of your birth 5 carols for upper voi pdf](#) - Mar 17 2022

web start getting this info get the the midnight of your birth 5 carols for upper voi member that we present here and check out the link you could purchase lead the midnight of your birth 5 carols for upper voi or get it as soon as feasible you could speedily download this the midnight of your birth 5 carols for upper voi after getting deal

the midnight of your birth 5 carols for upper voices abebooks - May 31 2023

web this collection brings together five new carols for upper voices and piano suitable for women s choirs or youth choirs the carols weave an imagery of birds and the natural world with the christmas narrative setting texts by long term collaborator charles bennett seller inventory b9780193514294

the midnight of your birth 5 carols for upper voi 2023 - Oct 04 2023

web the midnight of your birth 5 carols for upper voi transforming the workforce for children birth through age 8 aug 11 2022 children are already learning at birth and they develop and learn at a rapid pace in their early years this provides a critical foundation for lifelong progress and the adults who provide for the care and the education

[the midnight of your birth 5 carols for upper voi silvia](#) - Aug 22 2022

web getting this info acquire the the midnight of your birth 5 carols for upper voi associate that we offer here and check out the link you could buy guide the midnight of your birth 5 carols for upper voi or get it as soon as feasible you could quickly download this the midnight of your birth 5 carols for upper voi after getting deal

the midnight of your birth bob chilcott oxford university press - Sep 03 2023

web jun 15 2017 the midnight of your birth is a charming collection of five carols by bob chilcott for upper voices and piano equally suited to women s choirs and youth choirs the carols range from unison the blackbird with one white feather to three parts with one the angel did fly featuring a mezzo soprano solo

the midnight of your birth 5 carols for upper voi pdf uniport edu - Jul 21 2022

web sep 16 2023 the midnight of your birth 5 carols for upper voi 1 14 downloaded from uniport edu ng on september 16 2023 by guest the midnight of your birth 5 carols for upper voi thank you certainly much for downloading the midnight of your birth 5 carols for upper voi most likely you have knowledge that people have look numerous

the midnight of your birth 5 carols for upper voi copy - Feb 13 2022

web sep 1 2023 the midnight of your birth 5 carols for upper voi 1 13 downloaded from uniport edu ng on september 1 2023 by guest the midnight of your birth 5 carols for upper voi right here we have countless ebook the midnight of your birth 5 carols for upper voi and collections to check out

the midnight of your birth 5 carols for upper voi store spiralny - Jul 01 2023

web mapping your family relationships your birth plan the ground she walks upon the midnight hour the midnight queen a tale of the plague midnight at the pera palace the birth of modern istanbul the midnight of your birth 5 carols for upper voi downloaded from store spiralny com by guest jacobs lawrence virgo and the

the midnight of your birth 5 carols for upper voi download only - Feb 25 2023

web the midnight of your birth 5 carols for upper voi colorstrology apr 10 2020 four out of 10 north americans read their horoscope daily 10 out of 10 have a birthday and almost all of them see the world in living colour colorstrology already with a highly successful website at colorstrology com infuses elements

the midnight of your birth 5 carols for upper voi book - Apr 17 2022

web this the midnight of your birth 5 carols for upper voi as one of the most effective sellers here will definitely be in the midst of the best options to review v wars god of death jonathan maberry 2019 06 12

the midnight of your birth 5 carols for upper voi 2022 - Oct 24 2022

web the midnight of your birth 5 carols for upper voi 1 the midnight of your birth 5 carols for upper voi born to run coal mines family christian poetry salman rushdie s midnight s children elfinella the new english drama with prefatory remarks biographical sketches and notes critical and explanatory our indifferent universe

the midnight of your birth 5 carols for upper voices amazon - Aug 02 2023

web the midnight of your birth 5 carols for upper voices chilcott bob amazon sg books

the midnight of your birth 5 carols for upper voi web1 kdhx - Nov 24 2022

web the midnight of your birth 5 carols for upper voi 3 3 bad and the duke by janna macgregor lady daphne hallworth is ready to celebrate the holidays with her family but when they accidentally leave her home alone daphne uses the time to work on her dream openi ng a home for unwed mothers but her quest isn t problem free

the midnight of your birth 5 carols for upper voi 2023 - Jun 19 2022

web kindly say the the midnight of your birth 5 carols for upper voi is universally compatible with any devices to read the

problem with work kathie weeks 2011 09 09 the problem with work develops a marxist feminist critique of the structures and ethics of work as well as a perspective for imagining a life no longer subordinated to them

[the midnight of your birth from the midnight of your birth upper](#) - Apr 29 2023

web listen to the midnight of your birth from the midnight of your birth upper voices on spotify bob chilcott the oxford choir song 2018 bob chilcott the oxford choir song 2018

[pdf the midnight of your birth 5 carols for upper voi](#) - Mar 29 2023

web the midnight of your birth 5 carols for upper voi the shakespeare phrase book dec 29 2021 predict your future sep 25 2021 as we look at the universe around us we see a rhythm to all of life we discover that it governs both the

the midnight of your birth 5 carols for upper voi copy - May 19 2022

web the midnight of your birth 5 carols for upper voi 2 19 downloaded from uniport edu ng on july 24 2023 by guest possible and within the grade 1 to grade 3 level if on the rare occasion you find a note too high or low you can substitute that note with a note one octave higher or lower as needed ensemble playing the

free the midnight of your birth 5 carols for upper voi - Jan 27 2023

web the midnight of your birth 5 carols for upper voi shadows under the midnight sun oct 23 2020 hans laub fell back but he kept his balance the norwegian continued his advance his fist loaded and aimed at its retreating target stop swine hans laub bellowed don t come near me but the norwegian came a step behind laub s

[cbse anecdotal record sample for sst orientation sutd edu sg](#) - Jun 19 2023

web cbse anecdotal record sample for sst author ferdinand semmler from orientation sutd edu sg subject cbse anecdotal record sample for sst keywords sample for record anecdotal sst cbse created date 4 24 2023 3 07 52 pm

[cbse anecdotal record sample for sst pdf sstest2 medacs](#) - Aug 21 2023

web books bearing in mind this one merely said the cbse anecdotal record sample for sst is universally compatible when any devices to read 2020 04 06 disha experts disha experts 10 year wise ctet paper 2 social science studies solved papers 2011 2018 english edition contains past 10 solved papers of the ctet exam

cbse anecdotal record sample for sst pitagoras provida - May 18 2023

web 2 cbse anecdotal record sample for sst 2022 01 10 ctet success master maths science paper 2 for class 6 to 8 2020 disha publications the presented book has been prepared on the basis of the latest syllabus of uttar pradesh teacher eligibility test uptet mathematics science for class 6 to 8

cbse anecdotal record sample for sst rhur impacthub net - Apr 05 2022

web cbse anecdotal record sample for sst author rhur impacthub net 2023 08 19 11 15 46 subject cbse anecdotal record sample for sst keywords cbse anecdotal record sample for sst created date 8 19 2023 11 15 46 am

download free cbse anecdotal record sample for sst - Oct 11 2022

web existing records delete records or add new records the form will also have the capability of navigating from one record to another you need eight label controls six text boxes two comboboxes one check box and one printpreviewdialog you also need four buttons for navigation eight buttons for utilites and one button for searching officer

cbse anecdotal record sample for sst design bluesquare - Jul 08 2022

web cbse anecdotal record sample for sst downloaded from design bluesquare org by guest natalie josie school family and community partnerships edugorilla community pvt ltd the method of teaching each subject play a pivotal role in enhancing the efficiency of their practitioners identifying the very

cbse anecdotal record sample for sst pdf pdf red ortax - May 06 2022

web cbse anecdotal record sample for sst pdf pages 2 11 cbse anecdotal record sample for sst pdf upload mita z boyle 2 11 downloaded from red ortax org on september 2 2023 by mita z boyle made considerable progress in expanding access to primary and secondary schooling with countries having achieved

cbse anecdotal record sample for sst pdf - Jun 07 2022

web cbse anecdotal record sample for sst downloaded from implantes odontocompany com by guest tessa zion ctet paper 2 mathematics science 15 practice sets for class 6 to 8 exams english free

cbse anecdotal record sample for sst download only - Aug 09 2022

web cbse anecdotal record sample for sst 3 3 solved paper 2021 january solved paper 2019 december solved paper 2019 july solved paper 2018 december solved paper 2016 september child development and pedagogy english language and pedagogy hindi bhasha evm shiksha shastra mathematics and pedagogy science and

example of anecdotal observation record pdf creativity - Oct 23 2023

web 2 develops and verbalizes solutions to simple problems 3 thinks of new uses for familiar materials emotional skills 1 shows some self control ex says i want that instead of grabbing toy form another child 2 shows some empathy for others ex comforts child who is sad 3 smiles and seems happy much of the time

cbse anecdotal record sample for sst download only db csda - Dec 13 2022

web cbse anecdotal record sample for sst downloaded from db csda org by guest janelle nadia 14 year wise ctet paper 2 mathematics science solved papers 2011 2020 3rd english edition disha publications 1 the book prepares for the awes online screening test 2022 2 the entire syllabus has been divided into 5 majors 3

pdf cbse anecdotal record sample for sst - Apr 17 2023

web cbse anecdotal record sample for sst early education curriculum a child s connection to the world oct 26 2020 packed with hands on tips beaver wyatt s early education curriculum a child s connection to the world 8th edition shows you how to

conduct observations and assessments plan and implement a

cbse anecdotal record sample for sst pdf dotnbm - Nov 12 2022

web cbse anecdotal record sample for sst 1 cbse anecdotal record sample for sst 14 year wise ctet paper 2 social science studies solved papers 2011 2020 3rd english edition reet level ii exam 2022 class vi

cbse anecdotal record sample pdf download apeejay - Sep 10 2022

web anecdotal record sample book file pdf file cbse anecdotal record sample book free download pdf at our ebook library this book have some digitalformats such us kindle epub ebook paperback and another formats here is the complete pdf library cbse anecdotal record sample for sst free books free book cbse anecdotal

cbse anecdotal record sample for sst 2023 - Mar 16 2023

web in recording the evolution of modern and ancient convergent margins the first set of papers in the collection focuses on formation and evolution of the sedimentary record in arc settings and arc collision zones concentrating on

anecdotal record for school students pinterest - Mar 04 2022

web anecdotal record for school students anecdotal note form from the 2 3 reading workshop toolkit includes decoding comprehension and fluency read the post for ideas about how to figure out what to teach during guided reading blank anecdotal templates figure 5 1 blank anecdotal records assessment form students

cbse anecdotal record sample for sst pdf web mei - Sep 22 2023

web 4 cbse anecdotal record sample for sst 2020 02 04 with the 5 practice sets exactly based on the latest pattern of the examination also latest solved paper is given to know the exact trend and pattern of the paper housed with ample number of questions for practice it gives robust study material useful for ctet uptet htet utet cgtet

cbse anecdotal record sample for sst 2022 repo inventoryclub - Jan 14 2023

web cbse anecdotal record sample for sst downloaded from repo inventoryclub com by guest melissa howard reet level ii exam 2022 class vi viii mathematics and science 15 practice sets by mocktime publication in this essential resource science educator page keeley provides teachers with guidance suggestions and techniques for

anecdotal records ppt slideshare - Jul 20 2023

web nov 16 2014 13 anecdotal record a fact or fiction the proportion of the teachers having the knowledge of the anecdotal records as assessment tools samuel oye bandele had done an intensive research on 200 teachers in ekiti and oyo states nigeria let see the result it is almost same situation in so many countries do you have the

download free cbse anecdotal record sample for sst - Feb 15 2023

web cbse anecdotal record sample for sst mindful learning mar 21 2021 with new forms techniques and checklists this second edition provides 101 strategies for using learners prior knowledge early childhood education apr 14 2023 this book

focuses on early childhood education which spans the human life from birth to age 8 infants