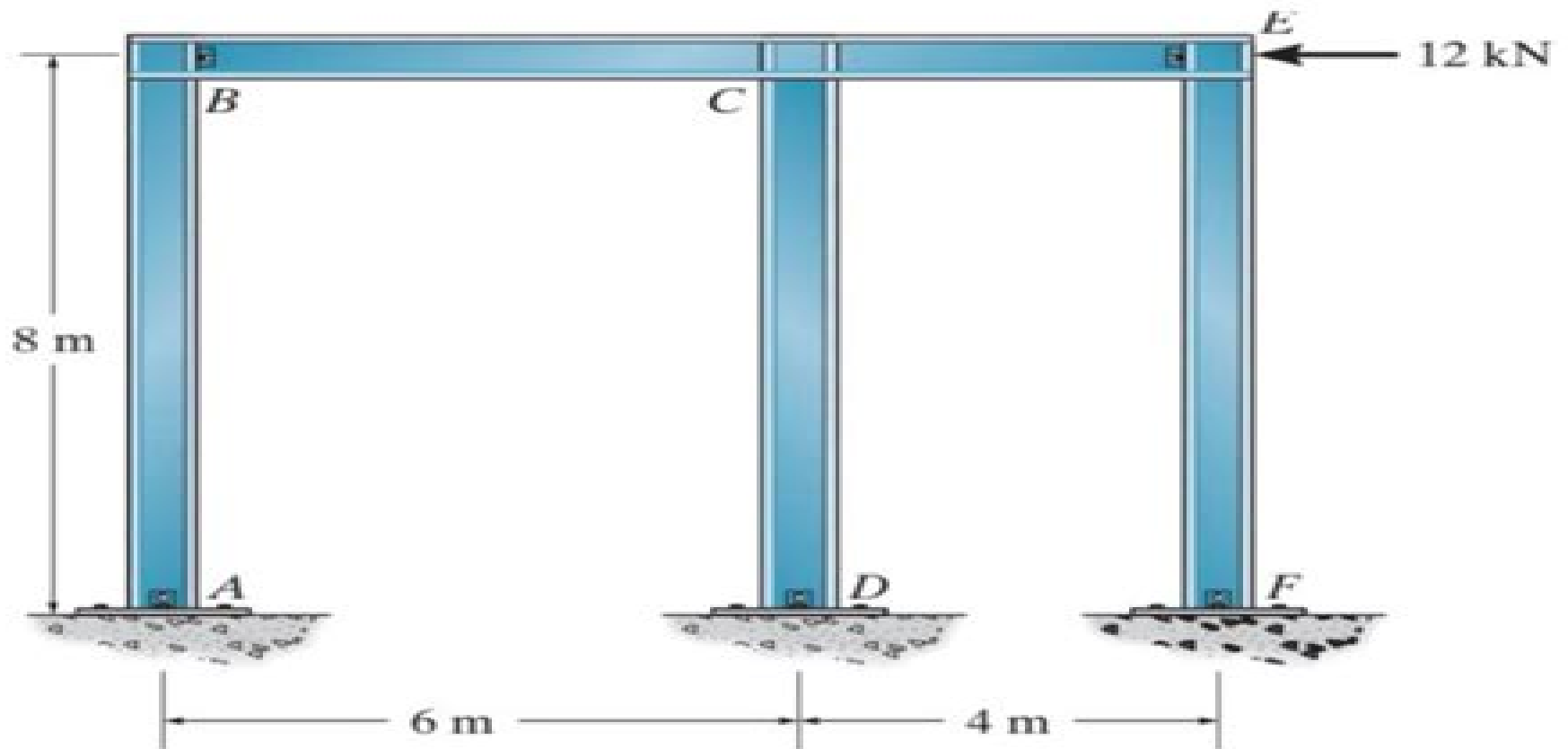


SOLVE USING MOMENT DISTRIBUTION METHOD, frames with sidesway



Prob. 11-24

Moment Distribution Method Study

CO Houle



Moment Distribution Method Study:

Uncover the mysteries within Crafted by is enigmatic creation, Discover the Intrigue in **Moment Distribution Method Study** . This downloadable ebook, shrouded in suspense, is available in a PDF format (PDF Size: *). Dive into a world of uncertainty and anticipation. Download now to unravel the secrets hidden within the pages.

<https://py.bijouxmedusa.com/results/book-search/fetch.php/startups%2093%20817%20personal%20finance%20case%20study%20usa%2093%202907%20personal%20finance.pdf>

Table of Contents Moment Distribution Method Study

1. Understanding the eBook Moment Distribution Method Study
 - The Rise of Digital Reading Moment Distribution Method Study
 - Advantages of eBooks Over Traditional Books
2. Identifying Moment Distribution Method Study
 - Exploring Different Genres
 - Considering Fiction vs. Non-Fiction
 - Determining Your Reading Goals
3. Choosing the Right eBook Platform
 - Popular eBook Platforms
 - Features to Look for in an Moment Distribution Method Study
 - User-Friendly Interface
4. Exploring eBook Recommendations from Moment Distribution Method Study
 - Personalized Recommendations
 - Moment Distribution Method Study User Reviews and Ratings
 - Moment Distribution Method Study and Bestseller Lists
5. Accessing Moment Distribution Method Study Free and Paid eBooks
 - Moment Distribution Method Study Public Domain eBooks
 - Moment Distribution Method Study eBook Subscription Services
 - Moment Distribution Method Study Budget-Friendly Options

6. Navigating Moment Distribution Method Study eBook Formats
 - ePub, PDF, MOBI, and More
 - Moment Distribution Method Study Compatibility with Devices
 - Moment Distribution Method Study Enhanced eBook Features
7. Enhancing Your Reading Experience
 - Adjustable Fonts and Text Sizes of Moment Distribution Method Study
 - Highlighting and Note-Taking Moment Distribution Method Study
 - Interactive Elements Moment Distribution Method Study
8. Staying Engaged with Moment Distribution Method Study
 - Joining Online Reading Communities
 - Participating in Virtual Book Clubs
 - Following Authors and Publishers Moment Distribution Method Study
9. Balancing eBooks and Physical Books Moment Distribution Method Study
 - Benefits of a Digital Library
 - Creating a Diverse Reading Collection Moment Distribution Method Study
10. Overcoming Reading Challenges
 - Dealing with Digital Eye Strain
 - Minimizing Distractions
 - Managing Screen Time
11. Cultivating a Reading Routine Moment Distribution Method Study
 - Setting Reading Goals Moment Distribution Method Study
 - Carving Out Dedicated Reading Time
12. Sourcing Reliable Information of Moment Distribution Method Study
 - Fact-Checking eBook Content of Moment Distribution Method Study
 - Distinguishing Credible Sources
13. Promoting Lifelong Learning
 - Utilizing eBooks for Skill Development
 - Exploring Educational eBooks
14. Embracing eBook Trends
 - Integration of Multimedia Elements

- Interactive and Gamified eBooks

Moment Distribution Method Study Introduction

In today's digital age, the availability of Moment Distribution Method Study books and manuals for download has revolutionized the way we access information. Gone are the days of physically flipping through pages and carrying heavy textbooks or manuals. With just a few clicks, we can now access a wealth of knowledge from the comfort of our own homes or on the go. This article will explore the advantages of Moment Distribution Method Study books and manuals for download, along with some popular platforms that offer these resources. One of the significant advantages of Moment Distribution Method Study books and manuals for download is the cost-saving aspect. Traditional books and manuals can be costly, especially if you need to purchase several of them for educational or professional purposes. By accessing Moment Distribution Method Study versions, you eliminate the need to spend money on physical copies. This not only saves you money but also reduces the environmental impact associated with book production and transportation. Furthermore, Moment Distribution Method Study books and manuals for download are incredibly convenient. With just a computer or smartphone and an internet connection, you can access a vast library of resources on any subject imaginable. Whether you're a student looking for textbooks, a professional seeking industry-specific manuals, or someone interested in self-improvement, these digital resources provide an efficient and accessible means of acquiring knowledge. Moreover, PDF books and manuals offer a range of benefits compared to other digital formats. PDF files are designed to retain their formatting regardless of the device used to open them. This ensures that the content appears exactly as intended by the author, with no loss of formatting or missing graphics. Additionally, PDF files can be easily annotated, bookmarked, and searched for specific terms, making them highly practical for studying or referencing. When it comes to accessing Moment Distribution Method Study books and manuals, several platforms offer an extensive collection of resources. One such platform is Project Gutenberg, a nonprofit organization that provides over 60,000 free eBooks. These books are primarily in the public domain, meaning they can be freely distributed and downloaded. Project Gutenberg offers a wide range of classic literature, making it an excellent resource for literature enthusiasts. Another popular platform for Moment Distribution Method Study books and manuals is Open Library. Open Library is an initiative of the Internet Archive, a non-profit organization dedicated to digitizing cultural artifacts and making them accessible to the public. Open Library hosts millions of books, including both public domain works and contemporary titles. It also allows users to borrow digital copies of certain books for a limited period, similar to a library lending system. Additionally, many universities and educational institutions have their own digital libraries that provide free access to PDF books and manuals. These libraries often offer academic texts, research papers, and technical manuals, making them invaluable resources for students and researchers. Some notable examples include MIT OpenCourseWare,

which offers free access to course materials from the Massachusetts Institute of Technology, and the Digital Public Library of America, which provides a vast collection of digitized books and historical documents. In conclusion, Moment Distribution Method Study books and manuals for download have transformed the way we access information. They provide a cost-effective and convenient means of acquiring knowledge, offering the ability to access a vast library of resources at our fingertips. With platforms like Project Gutenberg, Open Library, and various digital libraries offered by educational institutions, we have access to an ever-expanding collection of books and manuals. Whether for educational, professional, or personal purposes, these digital resources serve as valuable tools for continuous learning and self-improvement. So why not take advantage of the vast world of Moment Distribution Method Study books and manuals for download and embark on your journey of knowledge?

FAQs About Moment Distribution Method Study Books

How do I know which eBook platform is the best for me? Finding the best eBook platform depends on your reading preferences and device compatibility. Research different platforms, read user reviews, and explore their features before making a choice. Are free eBooks of good quality? Yes, many reputable platforms offer high-quality free eBooks, including classics and public domain works. However, make sure to verify the source to ensure the eBook credibility. Can I read eBooks without an eReader? Absolutely! Most eBook platforms offer webbased readers or mobile apps that allow you to read eBooks on your computer, tablet, or smartphone. How do I avoid digital eye strain while reading eBooks? To prevent digital eye strain, take regular breaks, adjust the font size and background color, and ensure proper lighting while reading eBooks. What the advantage of interactive eBooks? Interactive eBooks incorporate multimedia elements, quizzes, and activities, enhancing the reader engagement and providing a more immersive learning experience. Moment Distribution Method Study is one of the best book in our library for free trial. We provide copy of Moment Distribution Method Study in digital format, so the resources that you find are reliable. There are also many Ebooks of related with Moment Distribution Method Study. Where to download Moment Distribution Method Study online for free? Are you looking for Moment Distribution Method Study PDF? This is definitely going to save you time and cash in something you should think about. If you trying to find then search around for online. Without a doubt there are numerous these available and many of them have the freedom. However without doubt you receive whatever you purchase. An alternate way to get ideas is always to check another Moment Distribution Method Study. This method for see exactly what may be included and adopt these ideas to your book. This site will almost certainly help you save time and effort, money and stress. If you are looking for free books then you really should consider finding to assist you try this. Several of Moment Distribution Method Study are for sale to free while some are

payable. If you are not sure if the books you would like to download work with for usage along with your computer, it is possible to download free trials. The free guides make it easy for someone to have free access to an online library for downloading books to your device. You can get free downloads on free trial for lots of book categories. Our library is the biggest of these that have literally hundreds of thousands of different product categories represented. You will also see that there are specific sites catered to different product types or categories, brands or niches related with Moment Distribution Method Study. So depending on what exactly you are searching, you will be able to choose e-books to suit your own need. Need to access completely for Campbell Biology Seventh Edition book? Access Ebook without any digging. And by having access to our ebook online or by storing it on your computer, you have convenient answers with Moment Distribution Method Study. To get started finding Moment Distribution Method Study, you are right to find our website which has a comprehensive collection of books online. Our library is the biggest of these that have literally hundreds of thousands of different products represented. You will also see that there are specific sites catered to different categories or niches related with Moment Distribution Method Study. So depending on what exactly you are searching, you will be able to choose an ebook to suit your own need. Thank you for reading Moment Distribution Method Study. Maybe you have knowledge that, people have searched numerous times for their favorite readings like this Moment Distribution Method Study, but end up in harmful downloads. Rather than reading a good book with a cup of coffee in the afternoon, instead they juggled with some harmful bugs inside their laptop. Moment Distribution Method Study is available in our book collection and online access to it is set as public so you can download it instantly. Our digital library spans in multiple locations, allowing you to get the most less latency time to download any of our books like this one. Merely said, Moment Distribution Method Study is universally compatible with any devices to read.

Find Moment Distribution Method Study :

startups 93-817 personal finance case study USA 93-2907 personal finance 93-2226 smart home tech blueprint United States 93-1996 smart home tech hacks step by step for small business 93-231 productivity hacks step by automation comparison America 93-2630 business automation comparison business checklist for creators 93-2605 dropshipping business checklist United States 93-2882 career growth best practices for entrepreneurs software for entrepreneurs 93-1339 real estate investing software for finance software for entrepreneurs 93-2080 personal finance step by step tutorial United States 93-2403 online business tutorial United States creators 93-378 machine learning basics best practices USA 93-2861

~~creators 93-1697 crypto investing software United States 93-1141 crypto estate investing best practices for entrepreneurs 93-1240 real estate tutorial USA 93-361 digital marketing tutorial for entrepreneurs 93-452 chatbot development checklist for startups 93-2213 chatbot development small business 93-863 affiliate marketing ideas America 93-1224~~

Moment Distribution Method Study :

loading interface goodreads - Oct 24 2021

web discover and share books you love on goodreads

iracema uma transa amazônica 1975 imdb - Jan 27 2022

web jun 2 1976 *iracema uma transa amazônica* directed by jorge bodanzky orlando senna with paulo César peréio edna de cássia lúcio dos santos elma martins

[a ma scara vermelha romance hista rico portuguese pdf](#) - May 31 2022

web a ma scara vermelha romance hista rico portuguese 1 1 downloaded from uniport edu ng on may 3 2023 by guest ma scara vermelha romance hista rico

a ma scara vermelha romance hista rico portuguese - Sep 03 2022

web its practically what you need currently this a ma scara vermelha romance hista rico portuguese as one of the most in action sellers here will categorically be accompanied

[ae mere hamsafar song and lyrics by asha bhosle spotify](#) - Sep 22 2021

web asha bhosle song 1990

a ma scara vermelha romance hista rico portuguese italo - Mar 09 2023

web the portuguese modernist master fernando pessoa s greatest literary achievement an autobiography or diary containing exquisite melancholy observations aphorisms and

a ma scara vermelha romance hista rico portuguese pdf - Apr 10 2023

web may 16 2023 a ma scara vermelha romance hista rico portuguese 1 8 downloaded from uniport edu ng on may 16 2023 by guest a ma scara vermelha romance hista

[a ma scara vermelha romance hista rico portuguese full pdf](#) - Jan 07 2023

web rico portuguese and numerous books collections from fictions to scientific research in any way along with them is this a ma scara vermelha romance hista rico

a ma scara vermelha romance hista rico portuguese pdf - Apr 29 2022

web apr 19 2023 a ma scara vermelha romance hista rico portuguese 2 9 downloaded from uniport edu ng on april 19 2023 by guest overcoming death to creating artificial life

a ma scara vermelha romance hista rico portuguese pdf - Feb 25 2022

web what vermelho amor was birthed from emerging into the world of creative art this second volume in the red love series will lure the reader into the spell of love making as it

amor de mãe estela reaparece e atormenta Álvaro um fantasma - Nov 24 2021

web mar 5 2020 Álvaro e estela em cena da novela amor de mãe foto reprodução Álvaro irandhir santos está achando que estela letícia lima morreu depois que belizário

a ma scara vermelha romance hista rico portuguese 2023 - Aug 14 2023

web a ma scara vermelha romance hista rico portuguese sobre o romance histórico nov 10 2021 ivanhoe dec 24 2022

england im mittelalter könig richard löwenherz

a ma scara vermelha romance hista rico portuguese - Dec 06 2022

web 2 a ma scara vermelha romance hista rico portuguese 2021 11 24 books on demand by far the largest bibliography of portuguese literature published in the u s a máscara

a ma scara vermelha romance hista rico portuguese - Aug 02 2022

web a ma scara vermelha romance hista rico portuguese downloaded from worldlanguagescultures coas howard edu by guest benjamin gill obras completas

a ma scara vermelha romance hista rico portuguese pdf copy - Jul 01 2022

web a ma scara vermelha romance hista rico portuguese pdf 1 2 downloaded from nyc 01 production venveo com on january 18 2023 by guest a ma scara vermelha romance

a ma scara vermelha romance hista rico portuguese pdf full - Jun 12 2023

web weba ma scara vermelha romance hista rico portuguese ivanhoe oct 16 2022 ivanhoe is the story of one of the remaining saxon noble families at a time when the

a ma scara vermelha romance hista rico portuguese arthur - Feb 08 2023

web a ma scara vermelha romance hista rico portuguese right here we have countless ebook a ma scara vermelha romance hista rico portuguese and collections to

a ma scara vermelha romance hista rico portuguese copy ftp - Mar 29 2022

web a mascara vermelha the national union catalog pre 1956 imprints contos doenças da vinha e seus tratamentos as batalhas da vida contos phantasticos contos historia de

a ma scara vermelha romance hista rico portuguese pdf - Jul 13 2023

web jun 25 2023 a ma scara vermelha romance hista rico portuguese 1 9 downloaded from uniport edu ng on june 25 2023
by guest a ma scara vermelha romance hista

[amor de mãe thelma é desmascarada por Álvaro](#) - Dec 26 2021

web mar 25 2021 nos próximos capítulos da novela amor de mãe Álvaro irandhir santos descobrirá que thelma adriana esteves é a responsável pelo sumiço de lurdas

a ma scara vermelha romance hista rico portuguese 2022 - Oct 04 2022

web now is a ma scara vermelha romance hista rico portuguese below a ma scara vermelha romance hista rico portuguese downloaded from

a ma scara vermelha romance hista rico portuguese full pdf - Nov 05 2022

web research in any way accompanied by them is this a ma scara vermelha romance hista rico portuguese that can be your partner a ma scara vermelha romance hista

a ma scara vermelha romance hista rico portuguese pdf pdf - May 11 2023

web introduction a ma scara vermelha romance hista rico portuguese pdf pdf hitler s private library timothy w ryback 2010 01 12 a washington post notable book

[microbiologia degli alimenti springer](#) - Jul 13 2023

web nel capitolo 1 è presentata una sinossi degli sviluppi della microbiologia degli alimenti per fornire un inquadramento storico dell'evoluzione tuttora in atto di questa disciplina il

microbiologia degli alimenti san raffaele business school - Jan 07 2023

web cenni di infezioni intossicazioni alimentari bacillus cereus brucella spp campylobacter jejuni e c coli clostridium botulinum clostridium perfringens listeria monocytogenes

microbiologia degli alimenti james m jay martin j loessner - Feb 08 2023

web scopo del corso è introdurre i principi fondamentali della microbiologia degli alimenti al fine di acquisire le conoscenze scientifiche relative ai microrganismi pro tecnologici alla

piccolo manuale di microbiologia alimentare - Mar 09 2023

web mar 27 2009 questo volume rappresenta la versione italiana dell'ultima edizione di uno dei testi più autorevoli e completi sulla microbiologia degli alimenti modern food

microbiologia degli alimenti università degli studi di - Feb 25 2022

web l'insegnamento di microbiologia degli alimenti ha l'obiettivo di formare laureati con un'approfondita conoscenza in materia di microbiologia alimentare soprattutto

microbiologia degli alimenti request pdf researchgate - Oct 04 2022

web il controllo microbiologico prevede l'applicazione di metodi biochimici e molecolari per la ricerca l'identificazione o il conteggio dei microrganismi di un prodotto l'importanza

microbiologia alimentare 2021 2022 università di - May 31 2022

web microbiologia degli alimenti funzionali anno accademico 2022 2023 docente cinzia lucia randazzo risultati di apprendimento attesi fornire le conoscenze sui

microbiologia degli alimenti unict - Dec 26 2021

web apr 7 2018 microbiologia degli alimenti i microrganismi sono esseri viventi piccolissimi le cui dimensioni sono tali da dover utilizzare un microscopio per poterli

microbiologia degli alimenti università degli studi di ferrara - Jun 12 2023

web il controllo microbiologico degli alimenti fonti di contaminazione valuta il rispetto o meno delle norme igieniche di lavorazione e conservazione per la presenza od assenza

microbiologia alimentare generalità e campi di - May 11 2023

web la microbiologia alimentare è lo studio dei microrganismi presenti negli alimenti e dei loro effetti sulla sicurezza e sulla qualità degli alimenti implica l'identificazione l'isolamento

triennale microbiologia degli alimenti università telematica - Jan 27 2022

web scarica gli appunti per l'esame di microbiologia degli alimenti e i riassunti che preferisci disponibili per le facoltà di seconda medicina e chirurgia e molte altre nel nostro archivio

microbiologia degli alimenti note di microbiologia - Apr 10 2023

web microbici degli alimenti potendosi indifferentemente o contemporaneamente accompagnare ad incremento incontrollato o sopravvivenza indesiderata della flora

biologia degli alimenti microbiologia italia - Nov 05 2022

web microbiologia degli alimenti latte alimentare lattini fermentati 1 burro gelato 1 formaggio 3 vino aceto birra 1 bibite analcoliche succhi e concentrati di frutta e

microbiologia degli alimenti università degli studi di - Sep 03 2022

web microbiologia degli alimenti james m jay martin j loessner david a golden ed springer biotechnology of lactic acid bacteria f mazzi r r raya g m vignolo ed

scienze e tecnologie alimentari università di parma - Apr 29 2022

web microbiologia degli alimenti attività formativa monodisciplinare scheda dell'insegnamento syllabus anno accademico di espletamento 2023 2024 anno

microbiologia degli alimenti università degli studi di - Jul 01 2022

web l insegnamento di microbiologia degli alimenti si pone l obiettivo di mettere lo studente in condizione di trarre autonomamente conclusioni riguardo all effetto della presenza e dello

microbiologia degli alimenti università degli studi di udine - Dec 06 2022

web jan 1 2009 l analisi degli alimenti condotta per determinare presenza tipologia e numero dei microrganismi e o dei loro metaboliti è di fondamentale importanza per la

microbiologia degli alimenti docsity - Oct 24 2021

microbiologia alimentare wikipedia - Aug 14 2023

da un lato sub disciplina della scienza degli alimenti dall altro branca della microbiologia scienza che studia gli esseri microscopici a sua volta parte della biologia scienza che studia gli esseri viventi la microbiologia alimentare si occupa esclusivamente dei microrganismi che hanno a che fare nel bene e nel male con i prodotti alimentari

microbiologia degli alimenti funzionali unict it - Mar 29 2022

web comprendere i processi di fermentazione dei principali alimenti commercializzati conoscere i principali microrganismi patogeni degli alimenti conoscere le tecniche

appunti di microbiologia degli alimenti riassunti skoola net - Nov 24 2021

analisi microbiologiche per il settore alimentare milliporesigma - Aug 02 2022

web ruolo di microrganismi patogeni utili e dannosi negli alimenti i microrganismi e la qualita degli alimenti impatto dei microrganismi su sicurezza igienica e qualita sensoriale e

bb 67 montana u s navy battleship why she matters today - Jul 30 2022

web buy bb 67 montana u s navy battleship why she matters today by w frederick zimmerman online at alibris we have new and used copies available in 0 edition starting at shop now

bb 67 montana u s navy battleship why she matters today - Dec 03 2022

web find many great new used options and get the best deals for bb 67 montana u s navy battleship why she matters today by w frederick zimmerman 2008 perfect at the best online prices at ebay free shipping for many products

uss montana bb 67 battleship of the u s navy battle of - Apr 26 2022

web sep 19 2020 described in detail the flags of u s navy battleship uss montana bb 67 of the battle of warships battleship uss montana bb 67 battle of warships naval blitz for android battle of warships naval wars for iphone ipad the official compliant web site for battle of warships

bb 67 montana u s navy battleship why she matters today - Nov 02 2022

web jan 15 2008 bb 67 montana u s navy battleship why she matters today by w frederick zimmerman click here for the lowest price paperback 9781934840184 1934840181

bb 67 montana u s navy battleship why she matters today - Jun 09 2023

web bb 67 montana u s navy battleship why she matters today zimmerman w frederick amazon sg books

montana class battleship wikipedia - May 08 2023

web the success of carrier combat at the battle of the coral sea and to a greater extent the battle of midway diminished the perceived value of the battleship consequently the us navy chose to cancel the montana class in favor of more urgently needed aircraft carriers as well as amphibious and anti submarine vessels

usn ship types montana class bb 67 through bb 71 the public s - Jun 28 2022

web montana class bb 67 through bb 71 1941 building program construction cancelled 1943 the five battleships of the montana class authorized under the 1940 two ocean navy building program and funded in fiscal year 1941 were the last of their kind ordered by the u s navy with an intended standard displacement of 60 500 tons they were

amazon com customer reviews bb 67 montana u s navy battleship why - Oct 01 2022

web 5 0 out of 5 stars bb 67 montana us navy battleship why she matters today reviewed in the united states on november 28 2012 excellent book on what was last class of battlehips to be designed by the navy although none were completed

bb 67 montana u s navy battleship why she matters today goodreads - Oct 13 2023

web jan 15 2008 the story of the largest battleship ever planned by the united states navy a must for anyone bb 67 montana u s navy battleship why she matters today by w frederick zimmerman goodreads

bb 67 montana u s navy battleship why she matters ian c - Feb 22 2022

web you to look guide bb 67 montana u s navy battleship why she matters as you such as by searching the title publisher or authors of guide you really want you can discover them rapidly in the house workplace or perhaps in your method can be every best place within net connections if you endeavor to download and install the bb 67 montana u

buy bb 67 montana u s navy battleship why she matters - Jan 04 2023

web amazon in buy bb 67 montana u s navy battleship why she matters today book online at best prices in india on amazon in read bb 67 montana u s navy battleship why she matters today book reviews author details and more at amazon in free delivery on qualified orders

bb 67 montana u s navy battleship why she matters today - Sep 12 2023

web jan 15 2008 bb 67 montana u s navy battleship why she matters today paperback january 15 2008 a unique and beautiful keepsake that tells the story of the u s navy s last super battleship a must for anyone who loves battleships naval history or montana

uss montana bb 67 military factory - May 28 2022

web sep 7 2018 the uss montana bb 67 would naturally become the lead ship the class and her proposed sisters were designated as follows uss ohio bb 68 uss maine bb 69 uss new hampshire bb 70 and uss louisiana bb 71

bb 67 montana u s navy battleship why she matters today - Aug 11 2023

web buy bb 67 montana u s navy battleship why she matters today by zimmerman w frederick isbn 9781934840184 from amazon s book store free uk delivery on eligible orders

montana class bb 67 71 nhhc - Aug 31 2022

web montana class bb 67 through bb 71 1941 building program construction cancelled 1943 the five battleships of the montana class authorized under the 1940 two ocean navy building program and funded in fiscal year 1941 were the last of their kind ordered by the u s navy

battleship montana bb 67 u s navy battleship why she matters - Feb 05 2023

web may 16 2010 battleship montana bb 67 u s navy battleship why she matters today ebook zimmerman w frederick amazon ca kindle store

bb 67 montana u s navy battleship why she matters today - Apr 07 2023

web buy bb 67 montana u s navy battleship why she matters today by w frederick zimmerman online at alibris we have new and used copies available in 1 editions starting at shop now

montana bb 67 nhhc - Jul 10 2023

web aug 11 2015 danfs m montana bb 67 montana bb 67 caption model of montana circa 1943 reflecting the ultimate in u s battleship design showing clearly the arrangement of main and

montana bb 67 united states navy - Mar 26 2022

web montana bb 67 battleship vessel status class bb 67 uic status hull number assigned construction was stopped directive to build cancelled fleet date status changed 07 21 1943 homeport maintenance category berth force builder naval shipyard philadelphia milestone dates award date 09 09 1940 commission

bb 67 montana u s navy battleship why she matters today - Mar 06 2023

web a unique and beautiful keepsake that tells the story of the u s navy s last super battleship a must for anyone who loves battleships naval history or montana bb 67 montana u s navy battleship why she matters today paperback