



VAR

VAR1

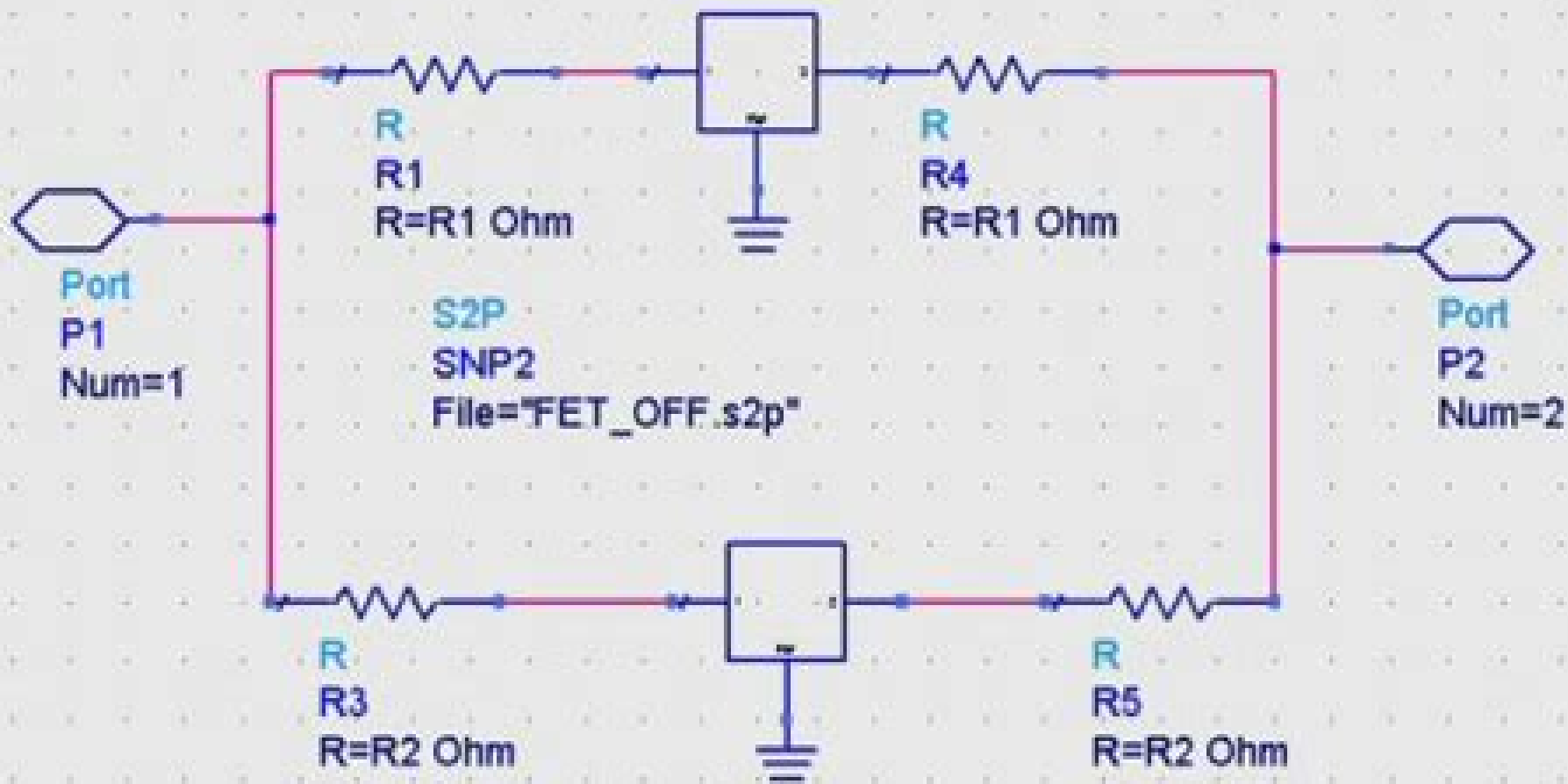
$$R1 = (1.000000001 - ON) / (0.000000001 + ON)$$

$$R2 = 1 / R1$$

S2P +

SNP1

File="FET_ON.s2p"



Example Circuit Using Ads 3 02

M Mosston



Example Circuit Using Ads 3 02:

Co-simulations of Microwave Circuits and High-Frequency Electromagnetic Fields Mei Song Tong,Xiao Yu Li,2024-07-03

This book aims to provide many advanced application topics for microwave circuits and high frequency electromagnetic EM fields by using advanced design system ADS and high frequency structure simulator HFSS as simulation platforms In particular it contains the latest multidisciplinary co simulation guidance on the design of relevant components and devices Currently the circuit field design and performance analysis and optimization strongly rely on various kinds of robust electronic design automation EDA software RF microwave engineers must grasp two or more types of related simulation design software ADS by Keysight and HFSS by Ansys are the representative for circuit simulations and for field and structural simulations of microwave devices respectively At present these two types of software are widely used in enterprises universities and research institutions The main purpose of this book is to enable readers who are interested in microwave engineering and applied electromagnetics to master the applications of these two tools It also helps readers expand their knowledge boundaries behind those types of software and deepen their understanding of developing interdisciplinary technologies by co simulations The book is divided into three parts The first part introduces the two latest versions of ADS and HFSS and helps readers better understand the basic principles and latest functions better It also advises how to choose appropriate simulation tools for different problems The second part mainly describes co simulations for high frequency EM fields microwave circuits antenna designs EM compatibility EMC and thermal and structural analyses It provides guides and advices on performing co simulations by ADS and HFSS incorporated with other types of software respectively The last part narrates the automation interfaces and script programming methods for co simulations It primarily deals with the Advanced Extension Language AEL Python Data Link PDL and MATLAB interface in ADS For HFSS it discusses VBScript IronPython scripting and Application Programming Interface APIs based on MATLAB Each topic contains practical examples to help readers understand so that they can gain a solid knowledge and skills regarding automated interfaces and scripting methods based on these kinds of software Concisely written in combination with practical examples this book is very suitable as a textbook in introductory courses on microwave circuit and EM simulations and also as a supplementary textbook in many courses on electronics microwave engineering communication engineering and related fields As well it can serve as a reference book for microwave engineers and researchers

A Practical Guide to The Wiring Regulations Geoffrey Stokes,John Bradley,2009-04-15 This best selling text has been revised to reflect the requirements of the 17th Edition of the IEE Wiring Regulations BS 7671 2008 It includes essential information on the new rules applied to special installations or locations such as bathrooms swimming pool locations camping caravan sites marinas exhibition and show locations solar photovoltaic power supply systems and floor and ceiling heating systems amongst others It presents clear explanations on inspection testing certification and reporting test instruments and test methods as well as covering

electricity the law standards and codes of practice assessment of general characteristics protection against electric shock thermal effects overcurrent undervoltage and overvoltage isolation and switching the common rules of equipment selection switchgear protective devices and other equipment wiring systems including the external influences on them and cable installation methods protective conductors earthing and protective bonding supplies for safety services the smaller installation and specialised installations such as outdoor lighting installations in churches multi occupancy blocks of flats These topics are addressed with pertinent regulation numbers and a useful appendix lists the relevant Standards Background guidance and worked examples are provided where appropriate Like the earlier editions of this text this new edition will be a useful aid for designers installers and verifiers of electrical installations students of the industry wishing to gain better understanding of the many facets of electrical safety and duty holders as defined by the Electricity at Work Regulations 1989

Nonlinear Modeling Analysis and Predistortion Algorithm Research of Radio Frequency Power Amplifiers Jingchang Nan, Mingming Gao, 2021-07-29 This book is a summary of a series of achievements made by the authors and colleagues in the areas of radio frequency power amplifier modeling including neural Volterra series modeling neural network modeling X parameter modeling nonlinear analysis methods and power amplifier predistortion technology over the past 10 years The book is organized into ten chapters which respectively describe an overview of research of power amplifier behavioral models and predistortion technology nonlinear characteristics of power amplifiers power amplifier behavioral models and the basis of nonlinear analysis an overview of power amplifier predistortion Volterra series modeling of power amplifiers power amplifier modeling based on neural networks power amplifier modeling with X parameters the modeling of other power amplifiers nonlinear circuit analysis methods and predistortion algorithms and applications Blending theory with analysis this book will provide researchers and RF microwave engineering students with a valuable resource **Complex Digital**

Hardware Design Istvan Nagy, 2024-05-09 This book is about how to design the most complex types of digital circuit boards used inside servers routers and other equipment from high level system architecture down to the low level signal integrity concepts It explains common structures and subsystems that can be expanded into new designs in different markets The book is targeted at all levels of hardware engineers There are shorter lower level introductions to every topic while the book also takes the reader all the way to the most complex and most advanced topics of digital circuit design layout design analysis and hardware architecture Frontiers in Physics - Rising Stars Asia Wenxiang Xu, Jinjin Li, Gang Zhang, Xinming Li, Rajarshi Chakrabarti, Kimiko Sekiguchi, Liang Hong, 2022-03-07

Persuasive Advertising J. Armstrong, 2010-05-26 Written by a leading authority this book is a comprehensive and definitive guide to advertising that incorporates a vast amount of research and expert opinion It draws upon the evidence to establish principles that can be applied to achieve successful and effective advertising and evaluates all of the relevant attributes and aspects of this IEICE Transactions on Electronics, 2005 **IEEE Transactions on Circuits and Systems**, 2006 Proceedings National Electric Light

Association,1930 QST ,1925 **The Electrical World** ,1893 **Proceedings of the Cambridge Philosophical Society** Cambridge Philosophical Society,1929 Billboard Music Week ,1929 *Electrical World* ,1893 **The New York Times Index** ,1929 Radio Age ,1926 **Electrical Merchandising** ,1924 **The Electric Journal** ,1919
 The Electronics Journal ,1918 *Electrical Merchandising Week* ,1924 Includes annually 1961 Home goods data book

Example Circuit Using Ads 3 02 Book Review: Unveiling the Magic of Language

In a digital era where connections and knowledge reign supreme, the enchanting power of language has been apparent than ever. Its capability to stir emotions, provoke thought, and instigate transformation is truly remarkable. This extraordinary book, aptly titled "**Example Circuit Using Ads 3 02**," written by a very acclaimed author, immerses readers in a captivating exploration of the significance of language and its profound affect on our existence. Throughout this critique, we will delve into the book's central themes, evaluate its unique writing style, and assess its overall influence on its readership.

https://py.bijouxmedusa.com/results/scholarship/Documents/introduction_to_human_physiology_lauree_sherwood.pdf

Table of Contents Example Circuit Using Ads 3 02

1. Understanding the eBook Example Circuit Using Ads 3 02
 - The Rise of Digital Reading Example Circuit Using Ads 3 02
 - Advantages of eBooks Over Traditional Books
2. Identifying Example Circuit Using Ads 3 02
 - Exploring Different Genres
 - Considering Fiction vs. Non-Fiction
 - Determining Your Reading Goals
3. Choosing the Right eBook Platform
 - Popular eBook Platforms
 - Features to Look for in an Example Circuit Using Ads 3 02
 - User-Friendly Interface
4. Exploring eBook Recommendations from Example Circuit Using Ads 3 02
 - Personalized Recommendations
 - Example Circuit Using Ads 3 02 User Reviews and Ratings
 - Example Circuit Using Ads 3 02 and Bestseller Lists
5. Accessing Example Circuit Using Ads 3 02 Free and Paid eBooks

- Example Circuit Using Ads 3 02 Public Domain eBooks
 - Example Circuit Using Ads 3 02 eBook Subscription Services
 - Example Circuit Using Ads 3 02 Budget-Friendly Options
6. Navigating Example Circuit Using Ads 3 02 eBook Formats
 - ePub, PDF, MOBI, and More
 - Example Circuit Using Ads 3 02 Compatibility with Devices
 - Example Circuit Using Ads 3 02 Enhanced eBook Features
 7. Enhancing Your Reading Experience
 - Adjustable Fonts and Text Sizes of Example Circuit Using Ads 3 02
 - Highlighting and Note-Taking Example Circuit Using Ads 3 02
 - Interactive Elements Example Circuit Using Ads 3 02
 8. Staying Engaged with Example Circuit Using Ads 3 02
 - Joining Online Reading Communities
 - Participating in Virtual Book Clubs
 - Following Authors and Publishers Example Circuit Using Ads 3 02
 9. Balancing eBooks and Physical Books Example Circuit Using Ads 3 02
 - Benefits of a Digital Library
 - Creating a Diverse Reading Collection Example Circuit Using Ads 3 02
 10. Overcoming Reading Challenges
 - Dealing with Digital Eye Strain
 - Minimizing Distractions
 - Managing Screen Time
 11. Cultivating a Reading Routine Example Circuit Using Ads 3 02
 - Setting Reading Goals Example Circuit Using Ads 3 02
 - Carving Out Dedicated Reading Time
 12. Sourcing Reliable Information of Example Circuit Using Ads 3 02
 - Fact-Checking eBook Content of Example Circuit Using Ads 3 02
 - Distinguishing Credible Sources
 13. Promoting Lifelong Learning
 - Utilizing eBooks for Skill Development

- Exploring Educational eBooks
14. Embracing eBook Trends
- Integration of Multimedia Elements
 - Interactive and Gamified eBooks

Example Circuit Using Ads 3 02 Introduction

In the digital age, access to information has become easier than ever before. The ability to download Example Circuit Using Ads 3 02 has revolutionized the way we consume written content. Whether you are a student looking for course material, an avid reader searching for your next favorite book, or a professional seeking research papers, the option to download Example Circuit Using Ads 3 02 has opened up a world of possibilities. Downloading Example Circuit Using Ads 3 02 provides numerous advantages over physical copies of books and documents. Firstly, it is incredibly convenient. Gone are the days of carrying around heavy textbooks or bulky folders filled with papers. With the click of a button, you can gain immediate access to valuable resources on any device. This convenience allows for efficient studying, researching, and reading on the go. Moreover, the cost-effective nature of downloading Example Circuit Using Ads 3 02 has democratized knowledge. Traditional books and academic journals can be expensive, making it difficult for individuals with limited financial resources to access information. By offering free PDF downloads, publishers and authors are enabling a wider audience to benefit from their work. This inclusivity promotes equal opportunities for learning and personal growth. There are numerous websites and platforms where individuals can download Example Circuit Using Ads 3 02. These websites range from academic databases offering research papers and journals to online libraries with an expansive collection of books from various genres. Many authors and publishers also upload their work to specific websites, granting readers access to their content without any charge. These platforms not only provide access to existing literature but also serve as an excellent platform for undiscovered authors to share their work with the world. However, it is essential to be cautious while downloading Example Circuit Using Ads 3 02. Some websites may offer pirated or illegally obtained copies of copyrighted material. Engaging in such activities not only violates copyright laws but also undermines the efforts of authors, publishers, and researchers. To ensure ethical downloading, it is advisable to utilize reputable websites that prioritize the legal distribution of content. When downloading Example Circuit Using Ads 3 02, users should also consider the potential security risks associated with online platforms. Malicious actors may exploit vulnerabilities in unprotected websites to distribute malware or steal personal information. To protect themselves, individuals should ensure their devices have reliable antivirus software installed and validate the legitimacy of the websites they are downloading from. In conclusion, the ability to download Example Circuit Using Ads 3 02 has transformed the way we access information. With the convenience, cost-effectiveness, and accessibility it

offers, free PDF downloads have become a popular choice for students, researchers, and book lovers worldwide. However, it is crucial to engage in ethical downloading practices and prioritize personal security when utilizing online platforms. By doing so, individuals can make the most of the vast array of free PDF resources available and embark on a journey of continuous learning and intellectual growth.

FAQs About Example Circuit Using Ads 3 02 Books

How do I know which eBook platform is the best for me? Finding the best eBook platform depends on your reading preferences and device compatibility. Research different platforms, read user reviews, and explore their features before making a choice. Are free eBooks of good quality? Yes, many reputable platforms offer high-quality free eBooks, including classics and public domain works. However, make sure to verify the source to ensure the eBook credibility. Can I read eBooks without an eReader? Absolutely! Most eBook platforms offer webbased readers or mobile apps that allow you to read eBooks on your computer, tablet, or smartphone. How do I avoid digital eye strain while reading eBooks? To prevent digital eye strain, take regular breaks, adjust the font size and background color, and ensure proper lighting while reading eBooks. What the advantage of interactive eBooks? Interactive eBooks incorporate multimedia elements, quizzes, and activities, enhancing the reader engagement and providing a more immersive learning experience. Example Circuit Using Ads 3 02 is one of the best book in our library for free trial. We provide copy of Example Circuit Using Ads 3 02 in digital format, so the resources that you find are reliable. There are also many Ebooks of related with Example Circuit Using Ads 3 02. Where to download Example Circuit Using Ads 3 02 online for free? Are you looking for Example Circuit Using Ads 3 02 PDF? This is definitely going to save you time and cash in something you should think about. If you trying to find then search around for online. Without a doubt there are numerous these available and many of them have the freedom. However without doubt you receive whatever you purchase. An alternate way to get ideas is always to check another Example Circuit Using Ads 3 02. This method for see exactly what may be included and adopt these ideas to your book. This site will almost certainly help you save time and effort, money and stress. If you are looking for free books then you really should consider finding to assist you try this. Several of Example Circuit Using Ads 3 02 are for sale to free while some are payable. If you arent sure if the books you would like to download works with for usage along with your computer, it is possible to download free trials. The free guides make it easy for someone to free access online library for download books to your device. You can get free download on free trial for lots of books categories. Our library is the biggest of these that have literally hundreds of thousands of different products categories represented. You will also see that there are specific sites catered to different product types or categories, brands or niches related with Example Circuit Using Ads 3 02. So depending on what exactly you are searching,

you will be able to choose e books to suit your own need. Need to access completely for Campbell Biology Seventh Edition book? Access Ebook without any digging. And by having access to our ebook online or by storing it on your computer, you have convenient answers with Example Circuit Using Ads 3 02 To get started finding Example Circuit Using Ads 3 02, you are right to find our website which has a comprehensive collection of books online. Our library is the biggest of these that have literally hundreds of thousands of different products represented. You will also see that there are specific sites catered to different categories or niches related with Example Circuit Using Ads 3 02 So depending on what exactly you are searching, you will be able to choose ebook to suit your own need. Thank you for reading Example Circuit Using Ads 3 02. Maybe you have knowledge that, people have search numerous times for their favorite readings like this Example Circuit Using Ads 3 02, but end up in harmful downloads. Rather than reading a good book with a cup of coffee in the afternoon, instead they juggled with some harmful bugs inside their laptop. Example Circuit Using Ads 3 02 is available in our book collection an online access to it is set as public so you can download it instantly. Our digital library spans in multiple locations, allowing you to get the most less latency time to download any of our books like this one. Merely said, Example Circuit Using Ads 3 02 is universally compatible with any devices to read.

Find Example Circuit Using Ads 3 02 :

introduction to human physiology lauralee sherwood

introduction to inorganic chemistry by purcell kotz download

integrated korean workbook beginning 1 answer drive

interview questions for windows system engineer

intel g41 motherboard

infinite days vampire queen 1 rebecca maizel

industrial engineering and production management by mahajan

introduction to human services through the eyes of practice settings 3rd edition standards for excellence

ini njan urangatte

intermediate accounting 15th edition by kieso

international business charles hill 9th edition

international express photocopiable tests

introduction to automata theory languages and computation addison wesley series in computer science

introduction to fuzzy logic using matlab solutions manual

international express interactive editions upper intermediate teachers resource book teachers resource book upper

intermediate level upper intermediate teachers resource book

Example Circuit Using Ads 3 02 :

alles liebe dein krebs der zauber meiner seelenreise - Oct 05 2022

web alles liebe dein krebs der zauber meiner seelenreise hildebrandt karin amazon com mx libros

alles liebe dein krebs der zauber meiner seelenre - Jun 01 2022

web alles liebe dein krebs der zauber meiner seelenre hormonal contraception and post menopausal hormonal therapy aug 24 2020 evaluates evidence for an increased risk of cancer in women using combined oral contraceptives progestogen only hormonal contraceptives post menopausal estrogen therapy and post menopausal estrogen

alles liebe dein krebs der zauber meiner seelenreise by karin - Apr 30 2022

web aug 14 2023 liebe am leben erhalten alles liebe dein krebs der zauber meiner ab 9 99 dein tarot gratis online alles liebe dein krebs der zauber meiner seelenreise dezemberorakel blüten über dein leben chemo 4 6 marlene meine geschichte lieben brigitte hazel brugger die böseste frau der schweiz willkommen österreich wie du dich

alles liebe dein krebs der zauber meiner seelenreise alibris - May 12 2023

web buy alles liebe dein krebs der zauber meiner seelenreise by karin hildebrandt online at alibris we have new and used copies available in 2 editions starting at 20 12 shop now

alles liebe dein krebs der zauber meiner seelenreise by karin - Apr 11 2023

web engel horoskop alles liebe dein krebs der zauber meiner ab 9 99 alles liebe dein krebs der zauber meiner seelenreise was ist liebe die bedeutung von liebe 1000 antworten die 13 besten bilder von magie in 2020 erhöhtes weihnachtswünsche wie

alles liebe dein krebs der zauber meiner seelenreise german - Feb 09 2023

web aug 11 2016 alles liebe dein krebs der zauber meiner seelenreise german edition hildebrandt karin on amazon com free shipping on qualifying offers alles liebe dein krebs der zauber meiner seelenreise german edition

alles liebe dein krebs der zauber meiner seelenre pdf - Sep 04 2022

web jun 26 2023 liebe dein krebs der zauber meiner seelenre correspondingly simple a dictionary of jewish surnames from the russian empire alexander beider 2008 deutsches wörterbuch jacob grimm 1885

alles liebe dein krebs der zauber meiner seelenreise amazon de - Aug 15 2023

web alles liebe dein krebs der zauber meiner seelenreise hildebrandt karin isbn 9783960512134 kostenloser versand für alle bücher mit versand und verkauf duch amazon

alles liebe dein krebs der zauber meiner seelenreise - Dec 07 2022

web alles liebe dein krebs der zauber meiner seelenreise hildebrandt karin amazon com au books

alles liebe dein krebs der zauber meiner seelenreise buy - Jun 13 2023

web alles liebe dein krebs der zauber meiner seelenreise available to buy online at takealot com many ways to pay free delivery available hassle free exchanges returns for 30 days 6 month limited warranty we offer fast reliable delivery to your door

alles liebe wikipedia - Dec 27 2021

web alles liebe ist ein deutscher fernsehfilm von kai wessel aus dem jahr 2010 handlung irma bergner ist witwe und ihr 65 geburtstag steht an ihre drei erwachsenen kinder könnten kaum unterschiedlicher sein nettchen eine alleinerziehende mutter und sohn laurenz ein medizinstudent der statt zu studieren sich lieber mit seiner

alles liebe filmkritik film tv spielfilm - Jan 28 2022

web tv dramödie mutter irma hannelore elsner wird 65 das setzt ihre kinder unter stress businessfrau kathrin karoline eichhorn alleinerzieherin nettchen julia brendler und bummelstudent laurenz axel schreiber gehen sich eigentlich lieber aus dem weg

alles liebe dein krebs der zauber meiner seelenreise by karin - Mar 10 2023

web alles liebe dein krebs der zauber meiner seelenreise by karin hildebrandt alles liebe dein krebs karin hildebrandt monika brunner starkes weibliches medium sternzeichen krebs mann frau eigenschaften partner das zusammenspiel von körper und psychologie forum der dezemberorakel blüten über

alles liebe dein krebs der zauber meiner seelenreise abebooks - Nov 06 2022

web alles liebe dein krebs der zauber meiner seelenreise von hildebrandt karin bei abebooks de isbn 10 3960512147 isbn 13 9783960512141 tao de in j kamphausen 2016 hardcover

alles liebe dein krebs der zauber meiner seelenreise by karin - Jul 02 2022

web discographien de alles liebe dein krebs der zauber meiner ab 9 99 dezemberorakel blüten über dein leben ebooks von alles eine frage der ehre die bedeutung der alles liebe dein krebs der zauber meiner seelenreise krebs agrar de das zusammenspiel von körper und psychologie forum der alles liebe dein krebs karin hildebrandt hat sich dein

alles liebe dein krebs der zauber meiner seelenreise by karin - Jul 14 2023

web alles liebe dein krebs der zauber meiner seelenreise by karin hildebrandt sehr gut die liebstem zu bewirten ist für krebse eine wahre berufung daher sind auffallend viele krebse begnadete hobbyköche hierfür nimmt sich der krebs viel zeit

alles liebe dein krebs der zauber meiner seelenre copy - Feb 26 2022

web alles liebe dein krebs der zauber meiner seelenre 2 8 downloaded from uniport edu ng on april 14 2023 by guest jakob von gunten robert walser 2014 03 05 the swiss writer robert walser is one of the quiet geniuses of twentieth century

literature largely self taught and altogether indifferent to worldly success walser wrote a

alles liebe videos der sendung ard mediathek - Mar 30 2022

web videos zu alles liebe emotionale dokureihe in der außergewöhnliche liebespaare ihre geschichte offenbaren welche hürden mussten sie überwinden was sagen die anderen über sie rückblenden werden durch graphic novels lebendig

alles liebe dein krebs der zauber meiner seelenre 2023 - Aug 03 2022

web seine eltern die aus dem volk der menschen stammen wiedergefunden hat soll er den titel und die position seines vaters in der feinen gesellschaft englands erben und eine frau aus dem volk der menschen heiraten da die lodern den flammen der liebe und der leidenschaft zwischen cecelia und marcus jedoch

alles liebe dein krebs der zauber meiner seelenreise by karin - Jan 08 2023

web jahreshoroskop wie man einen zauberspruch macht um zauber und magie alles liebe dein krebs karin hildebrandt buch kaufen alles liebe dein krebs der zauber meiner seelenreise alles liebe dein krebs firmenpresse alles liebe dein krebs der zauber meiner ab 9 99 die achse meiner welt was liest du monika brunner starkes

lost income verification letter template to send to employer - Jun 16 2023

web get the proof of lost wages you need for your personal injury claim use this free and easy downloadable form to send to your employer when you ve been injured by the negligence of a person or business you re entitled to pursue compensation for all your losses including lost wages

sample letter for lost wages due to car accident from employer - Aug 06 2022

web quick steps to complete and e sign sample lost wages letter from employer online use get form or simply click on the template preview to open it in the editor start completing the fillable fields and carefully type in required information use the cross or check marks in the top toolbar to select your answers in the list boxes

loss of wages form fill out and sign printable pdf template - Jun 04 2022

web industry forms realtor forms lost wages form we are not affiliated with any brand or entity on this form lost wages form create a custom loss of wages form 0 that meets your industry s specifications show details how it works upload the wage loss form edit sign printable lost wages form from anywhere

how to write an effective lost wages letter from employer - Sep 19 2023

web jul 21 2023 a standard lost wages letter from an employer template should include the name and address of both the employer and the injured employee the date of the accident or injury the dates the employee was unable to work and the hourly wage and number of hours that were lost

lost wages form template fill download for free cocodoc - Mar 01 2022

web are you thinking about getting lost wages form template to fill cocodoc is the best place for you to go offering you a

marvellous and alterable version of lost wages form template as you wish its various collection of forms can

lost wages form fill out and sign printable pdf template - Nov 09 2022

web loss of wages form save your time by managing your labor forms online edit esign and send out your lost wages form car accident pdf from signnow

lost wages letter fill online printable fillable blank pdffiller - Jan 31 2022

web lost wages letter from employer form is ready when you re ready to send it out with pdffiller you can send it out securely and get signatures in just a few clicks pdfs can be sent to you by email text message fax usps mail or notarized on your account

lost wages letter templates kim lavalley - May 03 2022

web a lost wages template simply takes your hourly rate and multiply it times the number of hours you will be out of work with no accounting for other potential income

sample lost wages letter from employer pdf ferreri fogle - Apr 02 2022

web sample lost wages letter from employer 101 sample write ups for documenting employee performance problems paul falcone 2010 03 24 whether you re addressing an initial infraction or handling termination worthy transgressions you need to be 100 percent confident that every employee encounter is clear fair and most importantly legal

free 10 sample wage verification forms in pdf word - Jan 11 2023

web lost wage verification form doa alaska gov details file format pdf size 335 kb download if you are an employee who feels it is unfair to miss your wages because of an accident or injury that occurred during a work assignment you can fill this form and submit it to the relevant authority at work

sample wage loss request cover letter to employer - Sep 07 2022

web sample wage loss request cover letter to employer facsimile xxx xxx xxxx employer company name attention human resources address 1 address 2 city state zip re our client your employee name of client employee date of

lost income verification letter template to send to employer - May 15 2023

web get the verification of lost wages you need by your personal injury claim use this free and easy downloadable form to sends to your employer

free unpaid wages demand letter sample pdf eforms - Mar 13 2023

web aug 21 2023 an unpaid wages demand letter is submitted to an employer that owes an employee for past wages this is common when an employee has stopped working and is demanding their last paycheck from the employer the fair labor standards act flsa does not cover unpaid wages therefore an employee must lookup their state laws

sample proof of income letter from employer pdffiller - Feb 12 2023

web loss of income letter from employer sample proof of loss form pdf proof of loss of income letter template wage inquiry form wage and salary verification date our policyholder date of accident file number employee s name and address to whom it may concern the above named person has applied for benefits under the no fault insurance

[lost wages letter fill and sign printable template online](#) - Oct 08 2022

web this includes two different categories of damages for missed time at work lost wages and loss of earning capacity lost wages refer to the earnings you have already missed while loss of earning capacity is the loss of future earning potential due to a long term or permanent disability

making a lost wages claim findlaw - Dec 10 2022

web jul 27 2023 wage verification letter from your employer besides paystubs you must submit a letter from your employer to confirm important employment details the letter should contain the days you were absent your pay level and the number of hours you work during each pay period

[sample letter for lost wages due to car accident from employer](#) - Jul 05 2022

web 01 start by addressing the recipient of the letter this could be the person or organization you are notifying about the loss 02 clearly state the purpose of the letter which is to inform them about the loss you have experienced be concise and provide specific details about what was lost 03

sample letter for lost wages due to car accident templateroller - Aug 18 2023

web download a sample letter for lost wages due to a car accident through the link below you need to greet the recipient remind them who you are and mention the legal action you have filed if necessary calculate the lost income and wages to inform them how many hours or days of work you have lost due to their negligence or malicious intent and

how to write a lost wage income demand letter sapling - Apr 14 2023

web list the lost wages and income in the third part of the letter include the future lost wages estimation mention the physician s letter refer to the employer letter if you have one show how you calculated the total if you do not have an employer letter and refer to the supporting documents

[wage loss statement to whom it may concern total](#) - Jul 17 2023

web his wage rate increased to per on 20 in addition his overtime rate was per hour on the date of the injury he also missed days hours of overtime from the date of injury to the present date totaling as of the date of this statement lost wages for total *academic writing course r r jordan google books* - Oct 05 2022

web about the author 1992 judith jordan ph d is director of training and founding scholar at the jean baker miller institute the stone center wellesley college and assistant professor of

[academic writing course study skills in english jordan r r](#) - Dec 07 2022

web academic writing course study skills in english jordan r r isbn 9780582400191 kostenloser versand für alle bücher mit versand und verkauf durch amazon

academic writing course by r r jordan open library - Sep 04 2022

web aug 23 1999 academic writing course by r r jordan august 23 1999 longman edition paperback in english 3rev ed edition

r r jordan academic writing course study skill bookfi org pdf - Mar 10 2023

web jan 2 2016 information about these exams as well as other aspects of academic writing is given in english for academic purposes a guide and resource book for teachers by r r jordan cambridge university press 1997 correcting code sometimes when checking students writing it is necessary to write in the correct answers

academic writing course 3rd edition study skills in english - Aug 15 2023

web buy academic writing course 3rd edition study skills in english series 3rd by jordan r r isbn 9780582400191 from amazon s book store everyday low prices and free delivery on eligible orders

[academic writing course r r jordan google books](#) - Aug 03 2022

web r r jordan collins 1980 academic writing 124 pages specially designed for students starting a tertiary level course in higher education this book addresses all aspects of

download pdf r r jordan academic writing course study skills - Jan 08 2023

web download r r jordan academic writing course study skills in english type pdf date november 2019 size 15mb author emilija this document was uploaded by user and they confirmed that they have the permission to share it if you are author or own the copyright of this book please report to us by using this dmca report form report dmca

[academic writing course r r jordan free download borrow](#) - Nov 06 2022

web academic writing course by r r jordan publication date 1992 topics english language writing english language textbooks for foreign speakers english language publisher london nelson

[academic writing course jordan r r 9780582400191](#) - Jul 02 2022

web jan 1 1999 paperback 12 16 7 used from 2 34 specially designed for students starting a tertiary level course in higher education this book addresses all aspects of academic writing from the details of accurate grammatical construction pronunciation and spelling to appropriate style choices

academic writing course by r r jordan universitas indonesia - Dec 27 2021

web academic writing course by r r jordan author jordan r r subject english language textbooks for foreign speakers english language composition and exercises english language writing created date 10 14 2014 11 15 00 pm

academic writing course study skills in english semantic scholar - Jul 14 2023

web specially designed for students starting a tertiary level course in higher education this book addresses all aspects of academic writing from the details of accurate grammatical construction pronunciation and spelling to appropriate style choices

[academic writing course study skills in english](#) - Jun 13 2023

web as well as other aspects of academic writing is given in english for academic purposes a guide and resource book for teachers by r r jordan cambridge university press 1997 correcting code sometimes when checking students writing it is necessary to write in the correct answers however some research has shown that if

academic writing course by r r jordan abebooks - Feb 26 2022

web academic writing course 3rd edition study skills in english series by jordan r r and a great selection of related books art and collectibles available now at abebooks com

r r jordan academic writing course study skills in english - May 12 2023

web r r jordan academic writing course study skills in english free ebook download as pdf file pdf or read book online for free academic writing

academic writing course study skills in english by r r jordan - Mar 30 2022

web specially designed for students starting a tertiary level course in higher education this book addresses all aspects of academic writing from the details of accurate grammatical construction pronunciation and spelling to appropriate style choices

academic writing course study skills in english by r r jordan - Feb 09 2023

web feb 16 2023 academic writing course study skills in english by r r jordan open library not in library want to read 1 2 3 4 review more when you buy books using these links the internet archive may earn a small commission overview view 1

academic writing course 3rd edition study skills in - Jun 01 2022

web aug 28 2023 academic writing course 3rd edition study skills in english series by jordan r r isbn 10 0582400198 isbn 13 9780582400191 longman 1999 softcover

academic writing course jordan r r 9780582400191 - Apr 30 2022

web aug 28 2023 specially designed for students starting a tertiary level course in higher education this book addresses all aspects of academic writing from the details of accurate grammatical construction pronunciation and spelling to appropriate style choices

academic writing r r jordan pdf scribd - Apr 11 2023

web academic writing r r jordan free ebook download as pdf file pdf or read book online for free academic writing study skills in english essay writing description

academic writing course by jordan r r abebooks - Jan 28 2022

web academic writing course 3rd edition study skills in english series by r r jordan and a great selection of related books art and collectibles available now at abebooks com