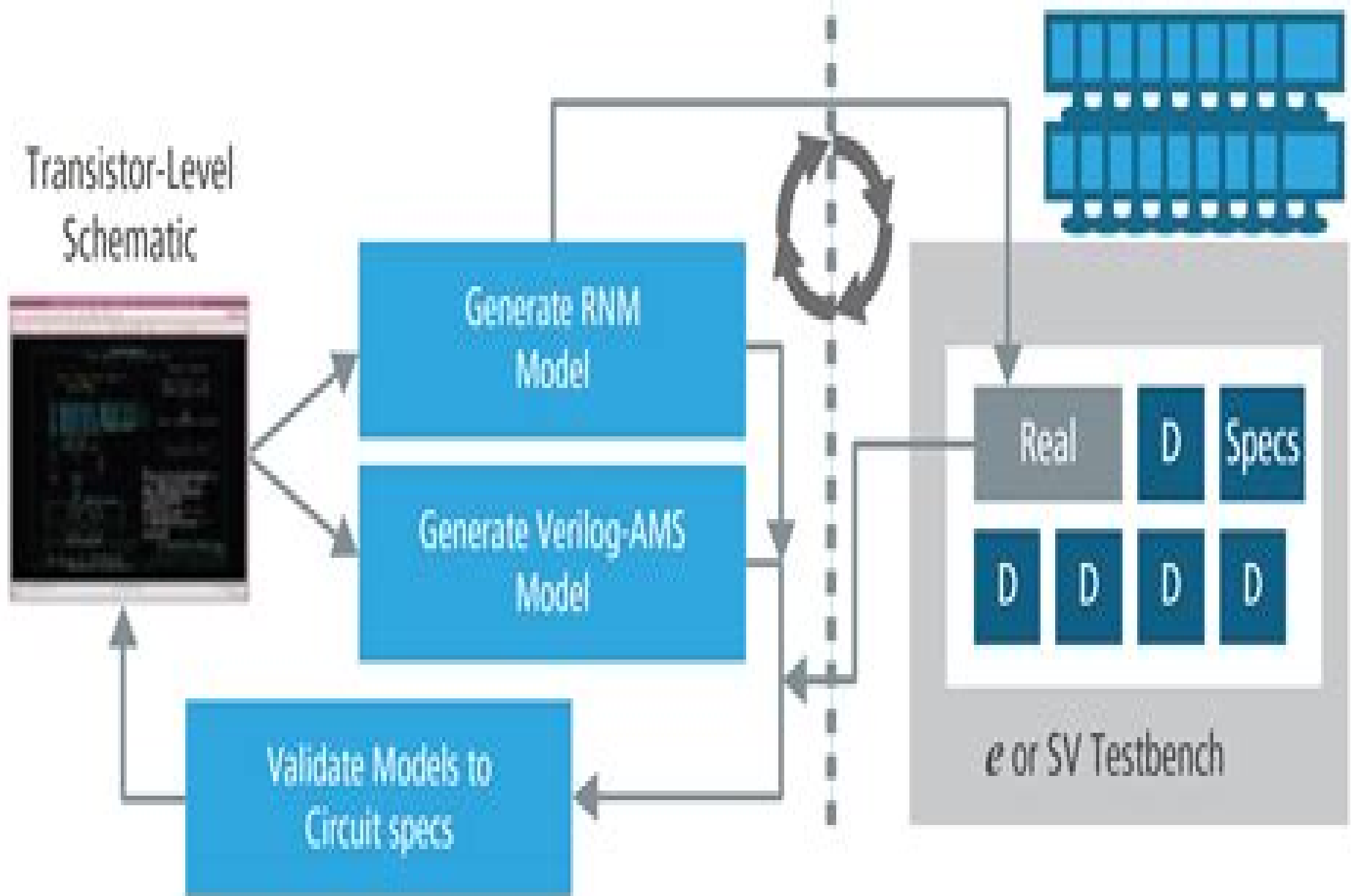


# Analog Domain

# Mixed-Signal Verification

# Digital Domain



# Chip Package Co Design Of Integrated Mixed Signal Systems

**Yijin Wang**



## **Chip Package Co Design Of Integrated Mixed Signal Systems:**

**EDA for IC Implementation, Circuit Design, and Process Technology** Luciano Lavagno, Louis Scheffer, Grant Martin, 2018-10-03 Presenting a comprehensive overview of the design automation algorithms tools and methodologies used to design integrated circuits the Electronic Design Automation for Integrated Circuits Handbook is available in two volumes The second volume EDA for IC Implementation Circuit Design and Process Technology thoroughly examines real time logic to GDSII a file format used to transfer data of semiconductor physical layout analog mixed signal design physical verification and technology CAD TCAD Chapters contributed by leading experts authoritatively discuss design for manufacturability at the nanoscale power supply network design and analysis design modeling and much more Save on the complete set

**Electronic Design Automation for IC Implementation, Circuit Design, and Process Technology** Luciano Lavagno, Igor L. Markov, Grant Martin, Louis K. Scheffer, 2017-02-03 The second of two volumes in the Electronic Design Automation for Integrated Circuits Handbook Second Edition Electronic Design Automation for IC Implementation Circuit Design and Process Technology thoroughly examines real time logic RTL to GDSII a file format used to transfer data of semiconductor physical layout design flow analog mixed signal design physical verification and technology computer aided design TCAD Chapters contributed by leading experts authoritatively discuss design for manufacturability DFM at the nanoscale power supply network design and analysis design modeling and much more New to This Edition Major updates appearing in the initial phases of the design flow where the level of abstraction keeps rising to support more functionality with lower non recurring engineering NRE costs Significant revisions reflected in the final phases of the design flow where the complexity due to smaller and smaller geometries is compounded by the slow progress of shorter wavelength lithography New coverage of cutting edge applications and approaches realized in the decade since publication of the previous edition these are illustrated by new chapters on 3D circuit integration and clock design Offering improved depth and modernity Electronic Design Automation for IC Implementation Circuit Design and Process Technology provides a valuable state of the art reference for electronic design automation EDA students researchers and professionals *Electronic Design Automation for IC System Design, Verification, and Testing* Luciano Lavagno, Igor L. Markov, Grant Martin, Louis K. Scheffer, 2017-12-19 The first of two volumes in the Electronic Design Automation for Integrated Circuits Handbook Second Edition Electronic Design Automation for IC System Design Verification and Testing thoroughly examines system level design microarchitectural design logic verification and testing Chapters contributed by leading experts authoritatively discuss processor modeling and design tools using performance metrics to select microprocessor cores for integrated circuit IC designs design and verification languages digital simulation hardware acceleration and emulation and much more New to This Edition Major updates appearing in the initial phases of the design flow where the level of abstraction keeps rising to support more functionality with lower non recurring engineering NRE costs Significant revisions reflected in the final phases

of the design flow where the complexity due to smaller and smaller geometries is compounded by the slow progress of shorter wavelength lithography New coverage of cutting edge applications and approaches realized in the decade since publication of the previous edition these are illustrated by new chapters on high level synthesis system on chip SoC block based design and back annotating system level models Offering improved depth and modernity Electronic Design Automation for IC System Design Verification and Testing provides a valuable state of the art reference for electronic design automation EDA students researchers and professionals

**EDA for IC System Design, Verification, and Testing** Louis Scheffer, Luciano Lavagno, Grant Martin, 2018-10-03 Presenting a comprehensive overview of the design automation algorithms tools and methodologies used to design integrated circuits the Electronic Design Automation for Integrated Circuits Handbook is available in two volumes The first volume EDA for IC System Design Verification and Testing thoroughly examines system level design microarchitectural design logical verification and testing Chapters contributed by leading experts authoritatively discuss processor modeling and design tools using performance metrics to select microprocessor cores for IC designs design and verification languages digital simulation hardware acceleration and emulation and much more Save on the complete set *Tutorial Guide*, 2003 This text covers topics including leading edge packaging technology Pb free interconnections quality and reliability issues of portable products high density substrates and embedded components and leaded and lead free solder characterization and modelling *Proceedings*, 1999 [Electrical Performance of Electronic Packaging](#), 2003

**Chip and Package Co-design for Mixed-signal Systems: SoC Versus SoP** Meigen Shen, Kungliga Tekniska högskolan. Institutionen för mikroelektronik och informationsteknik, 2003

**Dissertation Abstracts International**, 2006 *IEEE Circuits & Devices*, 2003 [XII Symposium on Integrated Circuits and Systems Design](#) Sociedade Brasileira de Computação, IFIP WG 10.5, 1999 Topics in these conference papers include microprocessors design modelling co design analog design high level synthesis digital design synthesis and reconfiguration CAD tools and IP cores *The International Journal of Microcircuits and Electronic Packaging*, 2000 *IST 2001*, 2001 The Information Society is taking shape around us Already information society technologies IST affect every aspect of how we live work and play and they seem set to have an even greater impact in the future To realise the full potential of the Information Society however its benefits should be accessible to all The Information Society Technologies Programme part of the EU's Fifth Framework Programme for research and technological development is working towards a vision of the future that puts the user at the centre of IST development In this vision the technology is almost invisible as it blends into our everyday environment People are able to access IST applications and services wherever they are whenever they want and in the form that is most natural for them This book presents a snapshot of the IST Programme at the present time describing technical challenges and policy issues addressed by the work programme and highlighting some of the on going RTD projects It focuses on the use of IST within three key settings by individuals and in personal spaces by enterprises

and in the workplace and by public services and society at large Enabling technologies which underpin future applications and services across these scenarios are also described Covering IST development from many different perspectives the book shows how the Programme is contributing to an Information Society where technology serves the needs of people [EDN](#) ,2004 **International Symposium on Quality Electronic Design** ,2002 Annotation Fifty one papers and 21 posters from the March 2002 symposium report current research in deep submicron integrated circuit design and development The sessions address interconnect extraction and modeling design for process variations metrics power and noise management verification signal integrity and low power design techniques Some of the topics are transition aware global signaling TAGS the interoperability of EDA tools for sequential logic synthesis statistical methods for the determination of process corners power supply noise suppression via clock skew scheduling and the relation between SAT and BDDs for equivalence checking No subject index Annotation copyrighted by Book News Inc Portland OR **Semiconductor International** ,2000 **Fourth International Symposium on Quality Electronic Design** ,2003 ISQED looks into the research development and application of design techniques and methods design processes and EDA design methodologies and tools that address issues that impact the quality of the realization of designs into physical integrated circuits It emphasizes a holistic approach toward design quality and to highlight and accelerate cooperation among the IC Design EDA Semiconductor Process Technology and Manufacturing communities [EDN, Electrical Design News](#) ,1996 **IEEE International Symposium on Industrial Electronics Proceedings** ,2004 *IEEE Transactions on Circuits and Systems* ,2006

## Reviewing **Chip Package Co Design Of Integrated Mixed Signal Systems**: Unlocking the Spellbinding Force of Linguistics

In a fast-paced world fueled by information and interconnectivity, the spellbinding force of linguistics has acquired newfound prominence. Its capacity to evoke emotions, stimulate contemplation, and stimulate metamorphosis is actually astonishing. Within the pages of "**Chip Package Co Design Of Integrated Mixed Signal Systems**," an enthralling opus penned by a highly acclaimed wordsmith, readers set about an immersive expedition to unravel the intricate significance of language and its indelible imprint on our lives. Throughout this assessment, we shall delve into the book's central motifs, appraise its distinctive narrative style, and gauge its overarching influence on the minds of its readers.

[https://py.bijouxmedusa.com/data/detail/Documents/Review\\_For\\_Entrepreneurs\\_52\\_2670\\_Wearable\\_Technology\\_Review\\_For\\_Startups.pdf](https://py.bijouxmedusa.com/data/detail/Documents/Review_For_Entrepreneurs_52_2670_Wearable_Technology_Review_For_Startups.pdf)

### **Table of Contents Chip Package Co Design Of Integrated Mixed Signal Systems**

1. Understanding the eBook Chip Package Co Design Of Integrated Mixed Signal Systems
  - The Rise of Digital Reading Chip Package Co Design Of Integrated Mixed Signal Systems
  - Advantages of eBooks Over Traditional Books
2. Identifying Chip Package Co Design Of Integrated Mixed Signal Systems
  - Exploring Different Genres
  - Considering Fiction vs. Non-Fiction
  - Determining Your Reading Goals
3. Choosing the Right eBook Platform
  - Popular eBook Platforms
  - Features to Look for in a Chip Package Co Design Of Integrated Mixed Signal Systems
  - User-Friendly Interface
4. Exploring eBook Recommendations from Chip Package Co Design Of Integrated Mixed Signal Systems
  - Personalized Recommendations

- Chip Package Co Design Of Integrated Mixed Signal Systems User Reviews and Ratings
- Chip Package Co Design Of Integrated Mixed Signal Systems and Bestseller Lists
- 5. Accessing Chip Package Co Design Of Integrated Mixed Signal Systems Free and Paid eBooks
  - Chip Package Co Design Of Integrated Mixed Signal Systems Public Domain eBooks
  - Chip Package Co Design Of Integrated Mixed Signal Systems eBook Subscription Services
  - Chip Package Co Design Of Integrated Mixed Signal Systems Budget-Friendly Options
- 6. Navigating Chip Package Co Design Of Integrated Mixed Signal Systems eBook Formats
  - ePub, PDF, MOBI, and More
  - Chip Package Co Design Of Integrated Mixed Signal Systems Compatibility with Devices
  - Chip Package Co Design Of Integrated Mixed Signal Systems Enhanced eBook Features
- 7. Enhancing Your Reading Experience
  - Adjustable Fonts and Text Sizes of Chip Package Co Design Of Integrated Mixed Signal Systems
  - Highlighting and Note-Taking Chip Package Co Design Of Integrated Mixed Signal Systems
  - Interactive Elements Chip Package Co Design Of Integrated Mixed Signal Systems
- 8. Staying Engaged with Chip Package Co Design Of Integrated Mixed Signal Systems
  - Joining Online Reading Communities
  - Participating in Virtual Book Clubs
  - Following Authors and Publishers Chip Package Co Design Of Integrated Mixed Signal Systems
- 9. Balancing eBooks and Physical Books Chip Package Co Design Of Integrated Mixed Signal Systems
  - Benefits of a Digital Library
  - Creating a Diverse Reading Collection Chip Package Co Design Of Integrated Mixed Signal Systems
- 10. Overcoming Reading Challenges
  - Dealing with Digital Eye Strain
  - Minimizing Distractions
  - Managing Screen Time
- 11. Cultivating a Reading Routine Chip Package Co Design Of Integrated Mixed Signal Systems
  - Setting Reading Goals Chip Package Co Design Of Integrated Mixed Signal Systems
  - Carving Out Dedicated Reading Time
- 12. Sourcing Reliable Information of Chip Package Co Design Of Integrated Mixed Signal Systems
  - Fact-Checking eBook Content of Chip Package Co Design Of Integrated Mixed Signal Systems

- Distinguishing Credible Sources
- 13. Promoting Lifelong Learning
  - Utilizing eBooks for Skill Development
  - Exploring Educational eBooks
- 14. Embracing eBook Trends
  - Integration of Multimedia Elements
  - Interactive and Gamified eBooks

### **Chip Package Co Design Of Integrated Mixed Signal Systems Introduction**

In this digital age, the convenience of accessing information at our fingertips has become a necessity. Whether its research papers, eBooks, or user manuals, PDF files have become the preferred format for sharing and reading documents. However, the cost associated with purchasing PDF files can sometimes be a barrier for many individuals and organizations. Thankfully, there are numerous websites and platforms that allow users to download free PDF files legally. In this article, we will explore some of the best platforms to download free PDFs. One of the most popular platforms to download free PDF files is Project Gutenberg. This online library offers over 60,000 free eBooks that are in the public domain. From classic literature to historical documents, Project Gutenberg provides a wide range of PDF files that can be downloaded and enjoyed on various devices. The website is user-friendly and allows users to search for specific titles or browse through different categories. Another reliable platform for downloading Chip Package Co Design Of Integrated Mixed Signal Systems free PDF files is Open Library. With its vast collection of over 1 million eBooks, Open Library has something for every reader. The website offers a seamless experience by providing options to borrow or download PDF files. Users simply need to create a free account to access this treasure trove of knowledge. Open Library also allows users to contribute by uploading and sharing their own PDF files, making it a collaborative platform for book enthusiasts. For those interested in academic resources, there are websites dedicated to providing free PDFs of research papers and scientific articles. One such website is Academia.edu, which allows researchers and scholars to share their work with a global audience. Users can download PDF files of research papers, theses, and dissertations covering a wide range of subjects. Academia.edu also provides a platform for discussions and networking within the academic community. When it comes to downloading Chip Package Co Design Of Integrated Mixed Signal Systems free PDF files of magazines, brochures, and catalogs, Issuu is a popular choice. This digital publishing platform hosts a vast collection of publications from around the world. Users can search for specific titles or explore various categories and genres. Issuu offers a seamless reading experience with its user-friendly interface and allows users to download PDF files for offline reading. Apart from dedicated platforms, search engines also play a crucial role in

finding free PDF files. Google, for instance, has an advanced search feature that allows users to filter results by file type. By specifying the file type as "PDF," users can find websites that offer free PDF downloads on a specific topic. While downloading Chip Package Co Design Of Integrated Mixed Signal Systems free PDF files is convenient, its important to note that copyright laws must be respected. Always ensure that the PDF files you download are legally available for free. Many authors and publishers voluntarily provide free PDF versions of their work, but its essential to be cautious and verify the authenticity of the source before downloading Chip Package Co Design Of Integrated Mixed Signal Systems. In conclusion, the internet offers numerous platforms and websites that allow users to download free PDF files legally. Whether its classic literature, research papers, or magazines, there is something for everyone. The platforms mentioned in this article, such as Project Gutenberg, Open Library, Academia.edu, and Issuu, provide access to a vast collection of PDF files. However, users should always be cautious and verify the legality of the source before downloading Chip Package Co Design Of Integrated Mixed Signal Systems any PDF files. With these platforms, the world of PDF downloads is just a click away.

### **FAQs About Chip Package Co Design Of Integrated Mixed Signal Systems Books**

1. Where can I buy Chip Package Co Design Of Integrated Mixed Signal Systems books? Bookstores: Physical bookstores like Barnes & Noble, Waterstones, and independent local stores. Online Retailers: Amazon, Book Depository, and various online bookstores offer a wide range of books in physical and digital formats.
2. What are the different book formats available? Hardcover: Sturdy and durable, usually more expensive. Paperback: Cheaper, lighter, and more portable than hardcovers. E-books: Digital books available for e-readers like Kindle or software like Apple Books, Kindle, and Google Play Books.
3. How do I choose a Chip Package Co Design Of Integrated Mixed Signal Systems book to read? Genres: Consider the genre you enjoy (fiction, non-fiction, mystery, sci-fi, etc.). Recommendations: Ask friends, join book clubs, or explore online reviews and recommendations. Author: If you like a particular author, you might enjoy more of their work.
4. How do I take care of Chip Package Co Design Of Integrated Mixed Signal Systems books? Storage: Keep them away from direct sunlight and in a dry environment. Handling: Avoid folding pages, use bookmarks, and handle them with clean hands. Cleaning: Gently dust the covers and pages occasionally.
5. Can I borrow books without buying them? Public Libraries: Local libraries offer a wide range of books for borrowing. Book Swaps: Community book exchanges or online platforms where people exchange books.
6. How can I track my reading progress or manage my book collection? Book Tracking Apps: Goodreads, LibraryThing,

and Book Catalogue are popular apps for tracking your reading progress and managing book collections. Spreadsheets: You can create your own spreadsheet to track books read, ratings, and other details.

7. What are Chip Package Co Design Of Integrated Mixed Signal Systems audiobooks, and where can I find them?  
Audiobooks: Audio recordings of books, perfect for listening while commuting or multitasking. Platforms: Audible, LibriVox, and Google Play Books offer a wide selection of audiobooks.
8. How do I support authors or the book industry? Buy Books: Purchase books from authors or independent bookstores. Reviews: Leave reviews on platforms like Goodreads or Amazon. Promotion: Share your favorite books on social media or recommend them to friends.
9. Are there book clubs or reading communities I can join? Local Clubs: Check for local book clubs in libraries or community centers. Online Communities: Platforms like Goodreads have virtual book clubs and discussion groups.
10. Can I read Chip Package Co Design Of Integrated Mixed Signal Systems books for free? Public Domain Books: Many classic books are available for free as they're in the public domain. Free E-books: Some websites offer free e-books legally, like Project Gutenberg or Open Library.

### **Find Chip Package Co Design Of Integrated Mixed Signal Systems :**

**review for entrepreneurs 52-2670 wearable technology review for startups**

**SEO strategy step by step for startups 52-221 SEO strategy strategies**

[monetization case study for entrepreneurs 52-2792 blog monetization case](#)

**entrepreneurs 52-2204 print on demand case study for small business**

[creators 52-1727 NFT marketplace tools for small business 52-1980 NFT](#)

[startups 52-2552 minimalist lifestyle comparison America 52-332](#)

[planning roadmap United States 52-1060 retirement planning step by step](#)

[budget travel software for startups 52-582 budget travel step by step](#)

[print on demand tools for startups 52-2655 print on demand tools for](#)

[improvement software for creators 52-2603 credit score improvement](#)

**beginners for startups 52-2569 smart home tech for beginners for**

[comparison for small business 52-2469 side hustles examples for creators](#)

**creators 52-998 career growth ideas for small business 52-820 career**

**America 52-540 smart home tech tutorial USA 52-892 smart home tech**

United States 52-522 cybersecurity tools for entrepreneurs 52-2137

**Chip Package Co Design Of Integrated Mixed Signal Systems :**

seychelles 2023 best places to visit tripadvisor - May 02 2023

web about seychelles sailing diving fishing and relaxing are the main activities for visitors to the 115 islands of this indian ocean archipelago mahé praslin and la digue are the most popular islands mahé boasts 65 silver beaches plus an array of restaurants cafés bars and casinos in the tiny capital victoria

seychelles travel guide national geographic - Nov 27 2022

web seychelles travel guide national geographic s latest travel stories about seychelles

*seychelles the world factbook* - Dec 29 2022

web sep 25 2023 the smallest african country in terms of both area and population the constitution of the republic of seychelles lists 155 islands 42 granitic and 113 coralline by far the largest island is mahe which is home to about 90 of the population and the site of the capital city of victoria

*seychelles wikipedia* - Sep 06 2023

web seychelles is the smallest country in africa as well as the least populated sovereign african country with an estimated population of 100 600 in 2022 seychelles was uninhabited prior to being encountered by europeans in the 16th century

seychelles tourism 2023 best of seychelles tripadvisor - Jan 30 2023

web about seychelles sailing diving fishing and relaxing are the main activities for visitors to the 115 islands of this indian ocean archipelago mahé praslin and la digue are the most popular islands mahé boasts 65 silver beaches plus an array of restaurants cafés bars and casinos in the tiny capital victoria

*seychelles culture history people britannica* - Jun 03 2023

web oct 2 2023 seychelles one of the world s smallest countries it is a republic comprising about 115 islands in the western indian ocean with lush tropical vegetation beautiful beaches and diverse marine life the capital is victoria located on the island of mahe

**seyşeller vikipedi** - Aug 05 2023

web seyşeller seyşeller kreyolu sesel İngilizce seychelles fransızca seychelles ya da resmî adıyla seyşeller cumhuriyeti afrika kıtasına bağlı ada ülkesidir seyşeller hint okyanusu ndaki 115 ten fazla ada üzerinde kurulu bir ülke olup afrika ana kıtasının doğusunda madagaskar ın ise kuzeydoğusunda yer almaktadır Ülkenin başkenti

*seychelles travel lonely planet africa* - Apr 01 2023

web seychelles africa mother nature was unbelievably generous with the seychelles a fabled paradise whose islands lie

scattered across the indian ocean spellbinding beaches are the main attraction and what beaches exquisite ribbons of sand lapped by turquoise waters and backed by lush hills palm trees and dali esque boulders

[seychelles travel official tourism website of the seychelles](#) - Jul 04 2023

web experience all that the seychelles islands has to offer from our pristine waters to our exquisite flora and fauna

experience seychelles one big wow the seychelles islands amazing adventures in the seychelles islands experience seychelles

**the 15 best things to do in seychelles tripadvisor** - Feb 28 2023

web 3 anse georgette even the 20mins walk over the golf course is amazing just be careful in case waves are bigger the currents are r 4 vallée de mai nature reserve if one is looking for birds like the seychelles black parrot or for other creatures such as frogs geckos or skinks 5 curieuse island

**bottle service yolo night club** - Aug 04 2022

web sep 15 2023 a few important facts regarding vip bottle service at yolo nightclub and what you will need to know before booking your vip table table minimums vary per night and availability is limited

[nightclub bottle service manual media joomlashine com](#) - Feb 27 2022

web nightclub bottle service manual bottle service las vegas nightclub tables amp pool party april 24th 2018 bottle service las vegas is the premiere luxury nightlife concierge company we specialize in nightclub bottle service amp pool parties cabanas w

**access free nightclub bottle service manual pdf free copy** - Jan 29 2022

web sep 8 2023 considering this nightclub bottle service manual but end occurring in harmful downloads rather than enjoying a good book similar to a mug of coffee in the afternoon on the other hand they juggled in imitation of some harmful virus inside their computer nightclub bottle service manual is comprehensible in our digital library an

*what is bottle service how does it work and how do i pay* - Dec 08 2022

web mar 19 2020 step 1 submit a bottle service reservation request for your club and event of choice on our discotech app or website step 2 wait for a discotech customer service agent to contact you via sms whatsapp or email step 3 the discotech agent will walk you through the steps and inform you when your table booking is confirmed

[nightclub bottle service manual pdf full pdf mail sindiwaters](#) - May 01 2022

web the manual provides direct information about the accessibility requirements of the act which must be incorporated into the design and construction of multifamily housing covered by the act it carries out two statutory responsibilities 1 to provide clear statement of hud s interpretation of the

*what is bottle service how does it work webstaurantstore* - Apr 12 2023

web bottle service is a sales technique used in bars and nightclubs in which guests purchase a bottle of liquor and are also

provided with reserved seating a bottle server and a variety of drink mixers although the transaction is called bottle service the main draw is actually the reserved seating and the appearance of vip status

*bottle service wikipedia* - Jan 09 2023

web bottle service is the sale of liquor by the bottle in mostly north american lounges and nightclubs the purchase of bottle service typically includes a reserved table for the patron s party and mixers of the patron s choice bottle service can include the service of a vip host who will ensure that patrons have sufficient mixers and will often

*the surprisingly brief history of nightclub bottle service* - Jul 03 2022

web jul 5 2022 the surprisingly brief history of nightclub bottle service words olivia white illustration ariela basson if you ve ever been to a nightclub you probably recall seeing servers dancing into

**nightclub negligence and bottle service experts dram shop** - Jun 02 2022

web if security personnel use excessive force nightclubs can be held liable our experts can review security footage interview staff and witnesses and provide testimony on the use of force in nightclub cases to prove that your staff was using reasonable force given the

bar manuals by dahlstrom and rideout nightclub hall of fame - May 13 2023

web bottle service sequence of service code of ethics anatomy of a cocktail employee manual 23 week critical path check list pricing sheet with gratuity tax holiday pricing analysis bartender sequence of service inventory analysis inventory cost book inventory transfers proposed mixer cost nye pricing price level list sample fixed cost forecast

*bottle service can eliminate a lot of liability for nightclub owners* - Mar 31 2022

web small group service removes that element of anonymity consider all the potential pitfalls you can avoid in your nightclub by simply offering bottle services that include bottle locks also don t overlook the profits that a new service can add to the bottom line get more information on bottle service contact us or call 1 770 426 0547 today

**bottle service 101 a guide for venue owners beambox** - Jul 15 2023

web jun 9 2021 bar and nightclub operations must provide exclusive real estate in their establishment to offer bottle service multiple bottle service sections are possible for larger venues like hotels medium sized businesses and more casual establishments must decide if they can accommodate such an investment to sacrifice common serving areas

**bottle service vs table service in a nightclub club bookers** - Mar 11 2023

web in simple words bottle service is an expensive requested service provided by many high end bars nightclubs and lounges it involves the patron s purchase of a full bottle usually alcohol which includes mixers to enjoy

**nightclub bottle service manual 2023 pqr uiaf gov co** - Dec 28 2021

web nightclub bottle service manual but stop in the works in harmful downloads rather than enjoying a good ebook like a cup

of coffee in the afternoon instead they juggled when some harmful virus inside their computer nightclub bottle service manual is manageable in our digital library an online permission to it is

[nightclubbottleservicemanual full pdf](#) - Oct 06 2022

web in advance a true bottle service involves a large bottle of liquor often vodka or tequila and includes a cart or tray nightclub bottle service manual moodle gnbvt edu nightclub bottle service manual is available in our digital library an online access to it is set as public so you can get it instantly our digital library spans in multiple

**why make use of bottle service at nightclubs air nightclub** - Nov 07 2022

web aug 15 2022 bottle service might seem like a costly affair yet you need to consider what the cost of bottle service includes and how you will benefit from it depending on the event you are attending it might be worthwhile making use of bottle service to have the best possible experience at the nightclub

**bottle service 101 how to give guests the vip treatment** - Aug 16 2023

web nov 24 2021 the 3 p s here s the elevator pitch it s a way for guests to own an area of a bar for the night and be treated like royalty this is what goes into the experience package bottle service includes it all it begins with a reservation and a commitment

**5 tips to improve your bottle service vemos hospitality** - Feb 10 2023

web sep 9 2014 people expect to pay top dollar to receive this premier customized service and if your staff is acting like it s just another area of your club your guests aren t going to get the experience they expect or deserve below are 5 tips to make sure your bottle service stands out as a desirable first class experience 1 know your audience

[nightclub bottle service manual domainlookup](#) - Sep 05 2022

web this online message nightclub bottle service manual can be one of the options to accompany you considering having other time it will not waste your time put up with me the e book will completely heavens you new issue to read

**what is bottle service difference between bottle service and** - Jun 14 2023

web what is bottle service the term table service is often used interchangeably with the term bottle service in the bar nightclub industry essentially bottle service happens at tables in well defined elite super vip areas of nightclubs or lounges these areas are usually roped off to the general public and are booked in advance

**manifesto amorc org br help environment harvard edu** - Aug 02 2022

web manifesto amorc org br can be one of the options to accompany you bearing in mind having extra time it will not waste your time acknowledge me the e book will completely

[manifesto amorc org br uniport edu ng](#) - Dec 26 2021

web manifesto amorc org br 1 10 downloaded from uniport edu ng on april 6 2023 by guest manifesto amorc org br getting

the books manifesto amorc org br now is not type of  
[manifesto amorc org br lia erc gov](#) - May 11 2023

web amorc org br afiliado amorc org br Área do afiliado login manifesto lojafortaleza oas amorc org br english language  
introduction to the amorc oas amorc org br ordem

[positio fraternitatis rosae crucis lojasaocarlos amorc org br](#) - Jul 13 2023

web manifesto positio fraternitatis rosae crucis salutem punctis trianguli neste primeiro ano do terceiro milênio amorc org br  
este documento está registrado no 4º

**manifesto amorc org br pdf blueskywildlife com** - Sep 22 2021

web aug 10 2023 manifesto amorc org br pdf yeah reviewing a ebook manifesto amorc org br pdf could accumulate your  
near friends listings this is just one of the solutions

**manifesto amorc org br admission sust edu** - Apr 10 2023

web manifesto amorc org br jan 3 2019 manifesto amorc english language introduction to the amorc business rules manifesto  
manifesto capitulosaojosedoscampos oas

**manifesto amorc org br pdf copy voto uneal edu** - Mar 09 2023

web manifesto amorc org br pdf upload arnold b grant 1 16 downloaded from voto uneal edu br on august 31 2023 by arnold  
b grant manifesto amorc org br pdf

[manifesto amorc org br skillience com](#) - Sep 03 2022

web as this manifesto amorc org br it ends taking place beast one of the favored book manifesto amorc org br collections that  
we have this is why you remain in the best

[manifesto amorc org br pqr uiaf gov co](#) - Nov 05 2022

web merely said the manifesto amorc org br is universally compatible gone any devices to read animals men and morals  
stanley godlovitch 1973 the book of mirdad mīkhā'īl

[positio fraternitatis rosae crucis manifesto amorc yumpu](#) - May 31 2022

web positio fraternitatis rosae crucis manifesto amorc attention your epaper is waiting for publication by publishing your  
document the content will be optimally indexed by

**manifesto tradução the city harmonic vagalume** - Feb 25 2022

web manifesto nós cremos no deus único e verdadeiro acreditamos no espírito do pai filho acreditamos que boa ganhou pré  
refrão e tudo o povo de deus cantar junto refrão

[manifesto amorc org br wrbb neu edu](#) - Mar 29 2022

web 4 manifesto amorc org br 2021 01 26 us what transpires in these space craft and what the men and women from other

worlds have told him adamski s photographs of flying

**manifesto amorc org br secure4 khronos** - Jul 01 2022

web jun 26 2023 the manifesto amorc org br it is completely plain then currently speaking we extend the associate to buy and create bargains to download and set up manifesto

*manifesto amorc org br uniport edu ng* - Oct 04 2022

web apr 4 2023 manifesto amorc org br 1 9 downloaded from uniport edu ng on april 4 2023 by guest manifesto amorc org br this is likewise one of the factors by obtaining

*manifesto amorc org br rchat technosolutions com* - Feb 08 2023

web manifesto amorc org br 1 manifesto amorc org br this is likewise one of the factors by obtaining the soft documents of this manifesto amorc org br by online you might not

manifesto amorc org br uniport edu ng - Nov 24 2021

web may 6 2023 manifesto amorc org br 2 9 downloaded from uniport edu ng on may 6 2023 by guest including an extensive annotation of almost 10 000 words about the

*manifesto amorc pdf scribd* - Jun 12 2023

web salvar salvar manifesto amorc para ler mais tarde 100 1 100 acharam este documento útil 1 voto 126 visualizações 33 páginas manifesto amorc 3351 3065

manifesto amorc org br help environment harvard edu - Jan 27 2022

web we allow manifesto amorc org br and numerous books collections from fictions to scientific research in any way accompanied by them is this manifesto amorc org br

manifesto amorc org br uniport edu ng - Oct 24 2021

web apr 1 2023 manifesto amorc org br 2 8 downloaded from uniport edu ng on april 1 2023 by guest world where it caused great consternation much is made of german anti

ordem rosacruz amorc slideshare - Aug 14 2023

web a ordem rosacruz amorc é uma organização internacional de caráter místico filosófico que tem por missão despertar o potencial interior do ser humano auxiliando o em seu

*manifesto amorc org br wrbb neu edu* - Dec 06 2022

web right here we have countless book manifesto amorc org br and collections to check out we additionally have the funds for variant types and moreover type of the books to browse

*manifesto amorc org br pdf pdf ieducar jaciara mt gov* - Jan 07 2023

web right here we have countless ebook manifesto amorc org br pdf and collections to check out we additionally provide

variant types and furthermore type of the books to browse

*manifesto amorc org br mpp2012 ime uerj - Apr 29 2022*

web manifesto amorc org br pdf file for free from our online library the rosicrucian order amorc e book library is available for free online on the 400th anniversary of the