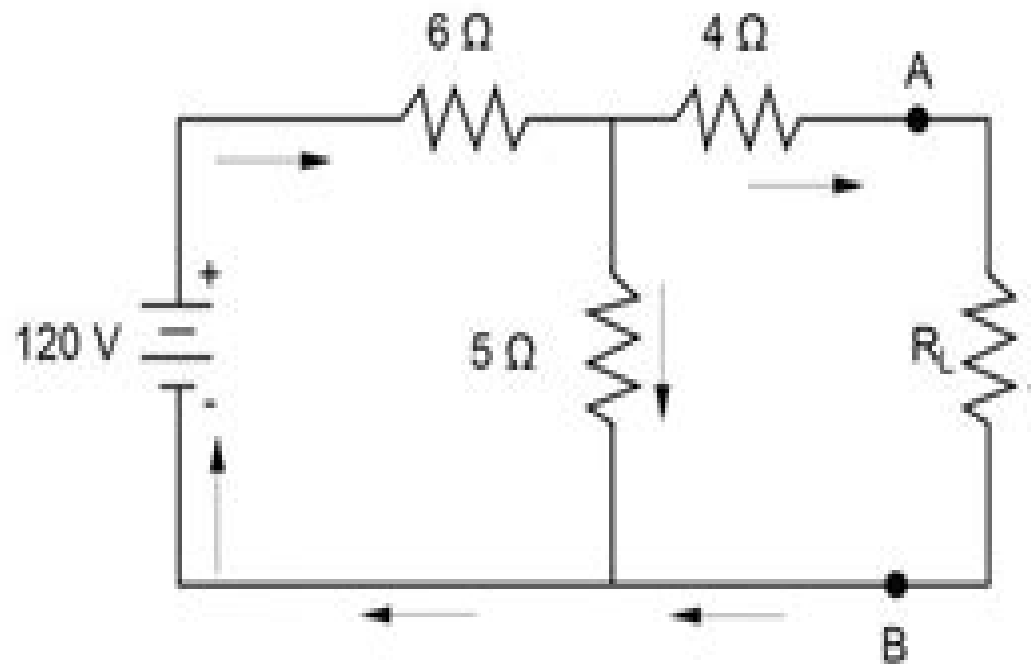


Find the Thevenin equivalent voltage and resistance for the following circuit. The load resistance is shown as R_L .



(a) $V_{TH} = 45.5 \text{ V}; R_{TH} = 6.7 \Omega$

(b) $V_{TH} = 54.5 \text{ V}; R_{TH} = 6.7 \Omega$

(c) $V_{TH} = 45.4 \text{ V}; R_{TH} = 9 \Omega$

(d) $V_{TH} = 54.5 \text{ V}; R_{TH} = 9 \Omega$

Circuit Analysis Practice Exam

Jiyuan Zhang



Circuit Analysis Practice Exam:

Right here, we have countless book **Circuit Analysis Practice Exam** and collections to check out. We additionally manage to pay for variant types and in addition to type of the books to browse. The standard book, fiction, history, novel, scientific research, as with ease as various new sorts of books are readily nearby here.

As this Circuit Analysis Practice Exam, it ends in the works swine one of the favored ebook Circuit Analysis Practice Exam collections that we have. This is why you remain in the best website to see the amazing book to have.

https://py.bijouxmedusa.com/public/browse/Documents/crimes_sur_le_rocher_le_celte_t.pdf

Table of Contents Circuit Analysis Practice Exam

1. Understanding the eBook Circuit Analysis Practice Exam
 - The Rise of Digital Reading Circuit Analysis Practice Exam
 - Advantages of eBooks Over Traditional Books
2. Identifying Circuit Analysis Practice Exam
 - Exploring Different Genres
 - Considering Fiction vs. Non-Fiction
 - Determining Your Reading Goals
3. Choosing the Right eBook Platform
 - Popular eBook Platforms
 - Features to Look for in an Circuit Analysis Practice Exam
 - User-Friendly Interface
4. Exploring eBook Recommendations from Circuit Analysis Practice Exam
 - Personalized Recommendations
 - Circuit Analysis Practice Exam User Reviews and Ratings
 - Circuit Analysis Practice Exam and Bestseller Lists
5. Accessing Circuit Analysis Practice Exam Free and Paid eBooks
 - Circuit Analysis Practice Exam Public Domain eBooks

- Circuit Analysis Practice Exam eBook Subscription Services
- Circuit Analysis Practice Exam Budget-Friendly Options
- 6. Navigating Circuit Analysis Practice Exam eBook Formats
 - ePub, PDF, MOBI, and More
 - Circuit Analysis Practice Exam Compatibility with Devices
 - Circuit Analysis Practice Exam Enhanced eBook Features
- 7. Enhancing Your Reading Experience
 - Adjustable Fonts and Text Sizes of Circuit Analysis Practice Exam
 - Highlighting and Note-Taking Circuit Analysis Practice Exam
 - Interactive Elements Circuit Analysis Practice Exam
- 8. Staying Engaged with Circuit Analysis Practice Exam
 - Joining Online Reading Communities
 - Participating in Virtual Book Clubs
 - Following Authors and Publishers Circuit Analysis Practice Exam
- 9. Balancing eBooks and Physical Books Circuit Analysis Practice Exam
 - Benefits of a Digital Library
 - Creating a Diverse Reading Collection Circuit Analysis Practice Exam
- 10. Overcoming Reading Challenges
 - Dealing with Digital Eye Strain
 - Minimizing Distractions
 - Managing Screen Time
- 11. Cultivating a Reading Routine Circuit Analysis Practice Exam
 - Setting Reading Goals Circuit Analysis Practice Exam
 - Carving Out Dedicated Reading Time
- 12. Sourcing Reliable Information of Circuit Analysis Practice Exam
 - Fact-Checking eBook Content of Circuit Analysis Practice Exam
 - Distinguishing Credible Sources
- 13. Promoting Lifelong Learning
 - Utilizing eBooks for Skill Development
 - Exploring Educational eBooks

14. Embracing eBook Trends

- Integration of Multimedia Elements
- Interactive and Gamified eBooks

Circuit Analysis Practice Exam Introduction

In this digital age, the convenience of accessing information at our fingertips has become a necessity. Whether its research papers, eBooks, or user manuals, PDF files have become the preferred format for sharing and reading documents. However, the cost associated with purchasing PDF files can sometimes be a barrier for many individuals and organizations. Thankfully, there are numerous websites and platforms that allow users to download free PDF files legally. In this article, we will explore some of the best platforms to download free PDFs. One of the most popular platforms to download free PDF files is Project Gutenberg. This online library offers over 60,000 free eBooks that are in the public domain. From classic literature to historical documents, Project Gutenberg provides a wide range of PDF files that can be downloaded and enjoyed on various devices. The website is user-friendly and allows users to search for specific titles or browse through different categories. Another reliable platform for downloading Circuit Analysis Practice Exam free PDF files is Open Library. With its vast collection of over 1 million eBooks, Open Library has something for every reader. The website offers a seamless experience by providing options to borrow or download PDF files. Users simply need to create a free account to access this treasure trove of knowledge. Open Library also allows users to contribute by uploading and sharing their own PDF files, making it a collaborative platform for book enthusiasts. For those interested in academic resources, there are websites dedicated to providing free PDFs of research papers and scientific articles. One such website is Academia.edu, which allows researchers and scholars to share their work with a global audience. Users can download PDF files of research papers, theses, and dissertations covering a wide range of subjects. Academia.edu also provides a platform for discussions and networking within the academic community. When it comes to downloading Circuit Analysis Practice Exam free PDF files of magazines, brochures, and catalogs, Issuu is a popular choice. This digital publishing platform hosts a vast collection of publications from around the world. Users can search for specific titles or explore various categories and genres. Issuu offers a seamless reading experience with its user-friendly interface and allows users to download PDF files for offline reading. Apart from dedicated platforms, search engines also play a crucial role in finding free PDF files. Google, for instance, has an advanced search feature that allows users to filter results by file type. By specifying the file type as "PDF," users can find websites that offer free PDF downloads on a specific topic. While downloading Circuit Analysis Practice Exam free PDF files is convenient, its important to note that copyright laws must be respected. Always ensure that the PDF files you download are legally available for free. Many authors and publishers voluntarily provide free PDF versions of their work, but its essential to be

cautious and verify the authenticity of the source before downloading Circuit Analysis Practice Exam. In conclusion, the internet offers numerous platforms and websites that allow users to download free PDF files legally. Whether its classic literature, research papers, or magazines, there is something for everyone. The platforms mentioned in this article, such as Project Gutenberg, Open Library, Academia.edu, and Issuu, provide access to a vast collection of PDF files. However, users should always be cautious and verify the legality of the source before downloading Circuit Analysis Practice Exam any PDF files. With these platforms, the world of PDF downloads is just a click away.

FAQs About Circuit Analysis Practice Exam Books

What is a Circuit Analysis Practice Exam PDF? A PDF (Portable Document Format) is a file format developed by Adobe that preserves the layout and formatting of a document, regardless of the software, hardware, or operating system used to view or print it. **How do I create a Circuit Analysis Practice Exam PDF?** There are several ways to create a PDF: Use software like Adobe Acrobat, Microsoft Word, or Google Docs, which often have built-in PDF creation tools. Print to PDF: Many applications and operating systems have a "Print to PDF" option that allows you to save a document as a PDF file instead of printing it on paper. Online converters: There are various online tools that can convert different file types to PDF. **How do I edit a Circuit Analysis Practice Exam PDF?** Editing a PDF can be done with software like Adobe Acrobat, which allows direct editing of text, images, and other elements within the PDF. Some free tools, like PDFescape or Smallpdf, also offer basic editing capabilities. **How do I convert a Circuit Analysis Practice Exam PDF to another file format?** There are multiple ways to convert a PDF to another format: Use online converters like Smallpdf, Zamzar, or Adobe Acrobats export feature to convert PDFs to formats like Word, Excel, JPEG, etc. Software like Adobe Acrobat, Microsoft Word, or other PDF editors may have options to export or save PDFs in different formats. **How do I password-protect a Circuit Analysis Practice Exam PDF?** Most PDF editing software allows you to add password protection. In Adobe Acrobat, for instance, you can go to "File" -> "Properties" -> "Security" to set a password to restrict access or editing capabilities. Are there any free alternatives to Adobe Acrobat for working with PDFs? Yes, there are many free alternatives for working with PDFs, such as: LibreOffice: Offers PDF editing features. PDFsam: Allows splitting, merging, and editing PDFs. Foxit Reader: Provides basic PDF viewing and editing capabilities. How do I compress a PDF file? You can use online tools like Smallpdf, ILovePDF, or desktop software like Adobe Acrobat to compress PDF files without significant quality loss. Compression reduces the file size, making it easier to share and download. Can I fill out forms in a PDF file? Yes, most PDF viewers/editors like Adobe Acrobat, Preview (on Mac), or various online tools allow you to fill out forms in PDF files by selecting text fields and entering information. Are there any restrictions when working with PDFs? Some PDFs might have restrictions set by their creator,

such as password protection, editing restrictions, or print restrictions. Breaking these restrictions might require specific software or tools, which may or may not be legal depending on the circumstances and local laws.

Find Circuit Analysis Practice Exam :

crimes sur le rocher le celte t

creative writing exercises for dummies

corrosion protection ppt read only university

cucito facile e moderno

cruise operations management hospitality perspectives

crucible act 1 study answer key

criminological theories introduction evaluation and application

crossing the unknown sea

convenzioni sconti carabinieri esercito e dipendenti

corrections 21st century frank schmalleger

costa barista training

critical review example scientific journal

control system diagram 1zz engine

cook it media

credit analysis and lending management

Circuit Analysis Practice Exam :

Core Questions in Philosophy: A Text with... by Sober, Elliott Elliott Sober. Core Questions in Philosophy: A Text with Readings (6th Edition). 6th Edition. ISBN-13: 978-0205206698, ISBN-10: 0205206697. 4.4 4.4 out of 5 ... Core Questions in Philosophy: A Text with... by Sober, Elliott Core Questions in Philosophy: A Text with Readings, Books a la Carte Edition (6th Edition). 6th Edition. ISBN-13: ... Core Questions in Philosophy A Text with Readings | Rent Authors: Elliott Sober ; Full Title: Core Questions in Philosophy: A Text with Readings ; Edition: 6th edition ; ISBN-13: 978-0205206698 ; Format: Paperback/ ... Core Questions in Philosophy: A Text with Readings (6th ... Core Questions in Philosophy: A Text with Readings (6th Edition) by Sober, Elliott - ISBN 10: 0205206697 - ISBN 13: 9780205206698 - Pearson - 2012 ... Core Questions Philosophy Text by Elliott Sober Core Questions in Philosophy: A Text with Readings (3rd Edition). Sober, Elliott. ISBN 13: 9780130835376.

Seller: Wonder Book Frederick, MD, U.S.A.. 'Core Questions In Philosophy by Sober, Elliott Core Questions in Philosophy: A Text with Readings (4th Edition). by Elliott Sober. Condition: Used - Good; Published: 2004-06-11; Binding: Paperback ... Core Questions in Philosophy : A Text with Readings ... Core Questions in Philosophy : A Text with Readings by Elliott Sober (2012, Trade Paperback). A Text with Readings [6th Edition] by Sober, Ellio ... Core Questions in Philosophy: A Text with Readings [6th Edition] by Sober, Ellio ; Quantity. 3 available ; Item Number. 115905358052 ; ISBN. 9780205206698. Core Questions in Philosophy: A Text with Readings Bibliographic information ; Title, Core Questions in Philosophy: A Text with Readings ; Author, Elliott Sober ; Edition, 6 ; Publisher, Pearson Education, 2013. Core Questions in Philosophy - 8th Edition 8th Edition. Core Questions in Philosophy. By Elliott Sober Copyright 2021. Paperback \$63.96. Hardback \$136.00. eBook \$63.96. ISBN 9780367464981. 364 Pages 29 B ... Human Anatomy & Physiology Laboratory Manual Our resource for Human Anatomy & Physiology Laboratory Manual includes answers to chapter exercises, as well as detailed information to walk you through the ... Anatomy & Physiology Lab Manuals ANSWER KEYS Request your answer keys for the Anatomy & Physiology Lab Manuals. Anatomy & Physiology Lab Manual - Exercise 1 (The ... Check my page for more answers to the questions from the Anatomy and Physiology lab manual! (These answers come from the sixth edition manual.) High School Lab Manual Answer Key This NEW Laboratory Manual is ideal for the high school classroom. It has 28 hands-on laboratory activities to complement any Anatomy & Physiology course or ... AP1 Lab Manual_Answers - Anatomy and Physiology ... AP1 Lab Manual_Answers ; Anatomy & ; Lab 1: Body Plan and Homeostasis ; Objectives for this Lab ; 1. Demonstrate correct anatomical position. ; 2. Use directional ... STEP BY STEP ANSWERS FOR HUMAN ANATOMY & ... Buy STEP BY STEP ANSWERS FOR HUMAN ANATOMY & PHYSIOLOGY LABORATORY MANUAL: CAT VERSION, 12th edition: Read Kindle Store Reviews - Amazon.com. Anatomy and physiology lab manual answers exercise 2 Anatomy and physiology lab manual exercise 29 answers. Human anatomy and physiology lab manual exercise 21 answers. CENTER FOR OPEN EDUCATION | The Open ... Answer Key for Use with Laboratory Manual for Anatomy & ... Answer Key for Use with Laboratory Manual for Anatomy & Phsiology and Essentials of Human Anatomy and Physiology Laboratory Manual - Softcover ... Human Anatomy & Physiology Laboratory Manual, Main ... Study Frequently asked questions. What are Chegg Study step-by-step Human Anatomy & Physiology Laboratory Manual, Main Version 11th Edition Solutions Manuals? Human Anatomy & Physiology Laboratory Manual, Main ... Guided explanations and solutions for Marieb/Smith's Human Anatomy & Physiology Laboratory Manual, Main Version (12th Edition). Australian National Curriculum Checklists For Progression Points Knowledge at the Crossroads? Australian Bird Names. Teaching for Numeracy Across the Age Range. Australian Curriculum English. K-2 Number Activities. Australian curriculum checklist This bundle of editable Australian Curriculum Assessment Checklists for Year 3 will make your planning and assessment simple and ... National Literacy and Numeracy Learning Progressions In the Australian Curriculum, learning area content describes the knowledge, understanding and skills that are to be taught in each

year or band of years. National Literacy Learning Progression The progression has not been designed as a checklist and does not replace the Australian Curriculum: English. Each sub-element has been mapped to the year level ... Australian Curriculum Mathematics Assessment Checklists ... Progression Point by the end of the term/year. Each checklist is broken up into the ACARA Australian Curriculum Mathematics Content Strands and Sub Strands ... Australian curriculum assessment checklist ... assessment checklist linked to AusVELs progression points for reading and viewing. Subjects: Reading. Grades: 2nd - 6th. Types: Assessment. Year 4 Maths National Curriculum Assessment Checklist Track pupil knowledge against the Maths National Curriculum for year 4 with this handy checklist, which includes Ready-to-Progress criteria on a separate ... National Literacy Learning Progression The progression amplifies the literacy skills in the. Australian Curriculum: English, particularly in the Language and Literacy strands, and is organised by ... Australian Curriculum Mathematics Assessment Checklists Australian Curriculum ~ Australian Assessment: These Australian Curriculum Mathematics Checklists are designed to make your assessment A LOT easier! Pages - Literacy learning progressions The need to develop national Literacy and Numeracy Progressions was identified by all Australian education ministers in December 2015. The Australian Curriculum ...