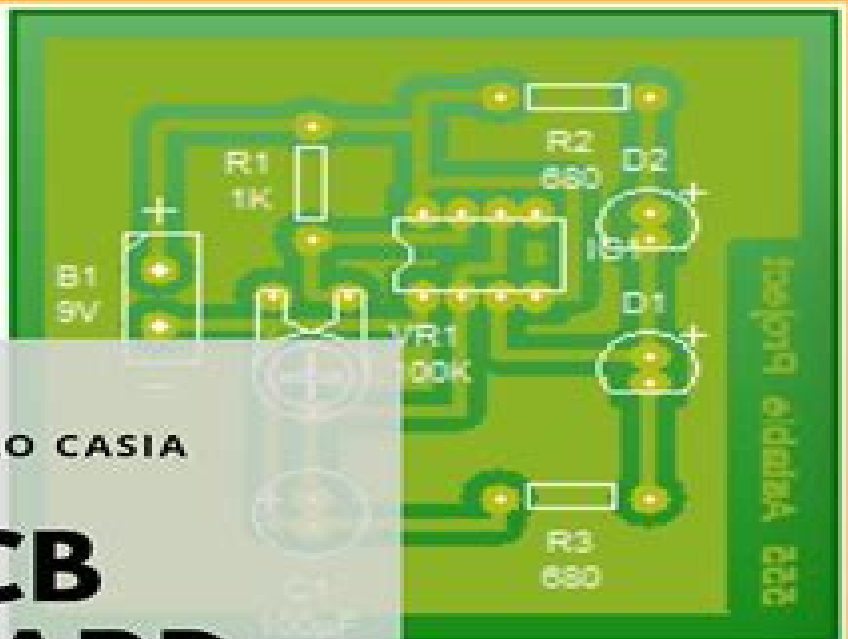
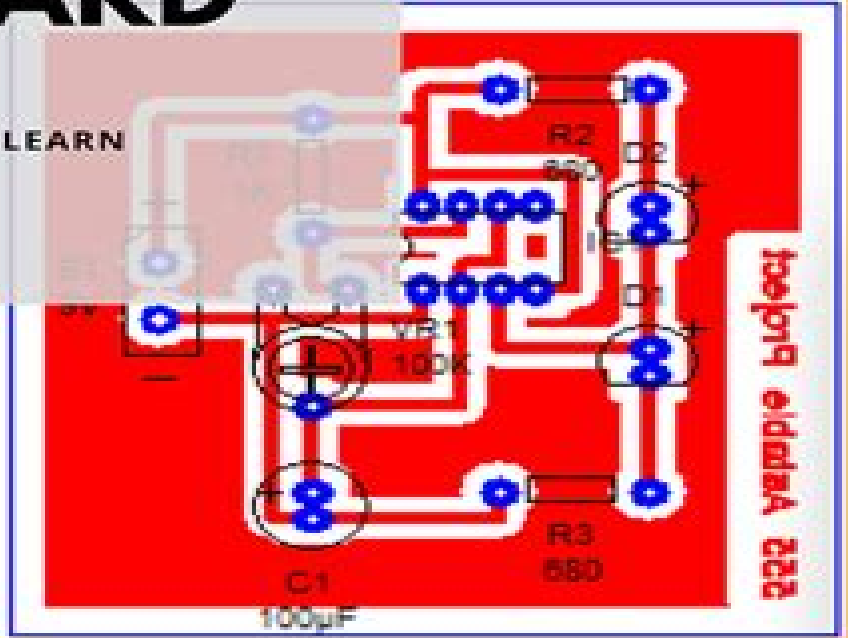
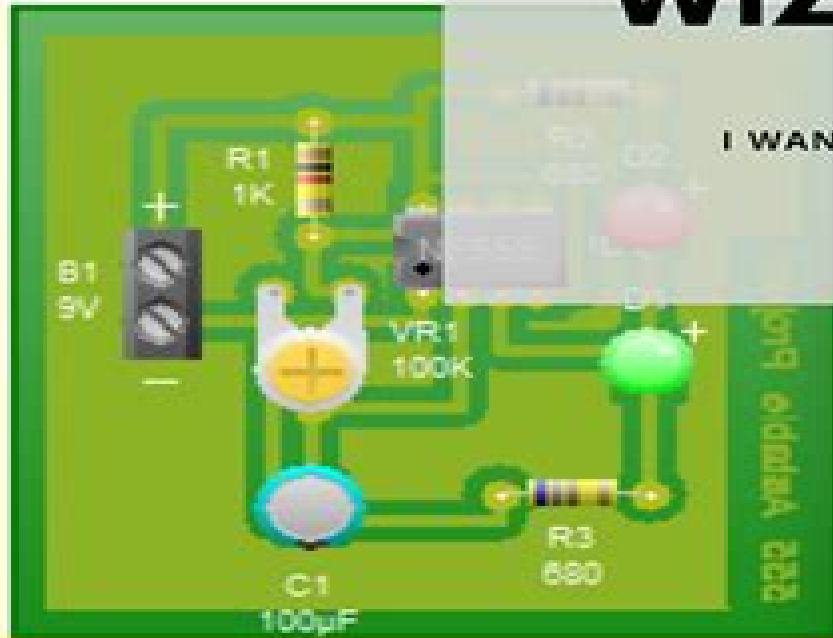


BY DANILLO CASIA

PCB WIZARD



I WANT LEARN



Pcb Wizard Tutorial 1

A B Lawal



Pcb Wizard Tutorial 1:

Complete PCB Design Using OrCad Capture and Layout Kraig Mitzner, 2011-04-01 Complete PCB Design Using OrCad Capture and Layout provides instruction on how to use the OrCAD design suite to design and manufacture printed circuit boards The book is written for both students and practicing engineers who need a quick tutorial on how to use the software and who need in depth knowledge of the capabilities and limitations of the software package There are two goals the book aims to reach The primary goal is to show the reader how to design a PCB using OrCAD Capture and OrCAD Layout Capture is used to build the schematic diagram of the circuit and Layout is used to design the circuit board so that it can be manufactured The secondary goal is to show the reader how to add PSpice simulation capabilities to the design and how to develop custom schematic parts footprints and PSpice models Often times separate designs are produced for documentation simulation and board fabrication This book shows how to perform all three functions from the same schematic design This approach saves time and money and ensures continuity between the design and the manufactured product Information is presented in the exact order a circuit and PCB are designed Straightforward realistic examples present the how and why the designs work providing a comprehensive toolset for understanding the OrCAD software Introduction to the IPC JEDEC and IEEE standards relating to PCB design Full color interior and extensive illustrations allow readers to learn features of the product in the most realistic manner possible Complete PCB Design Using OrCAD Capture and PCB Editor Kraig

Mitzner, 2009-05-28 This book provides instruction on how to use the OrCAD design suite to design and manufacture printed circuit boards The primary goal is to show the reader how to design a PCB using OrCAD Capture and OrCAD Editor Capture is used to build the schematic diagram of the circuit and Editor is used to design the circuit board so that it can be manufactured The book is written for both students and practicing engineers who need in depth instruction on how to use the software and who need background knowledge of the PCB design process Beginning to end coverage of the printed circuit board design process Information is presented in the exact order a circuit and PCB are designed Over 400 full color illustrations including extensive use of screen shots from the software allow readers to learn features of the product in the most realistic manner possible Straightforward realistic examples present the how and why the designs work providing a comprehensive toolset for understanding the OrCAD software Introduces and follows IEEE IPC and JEDEC industry standards for PCB design Unique chapter on Design for Manufacture covers padstack and footprint design and component placement for the design of manufacturable PCB s FREE CD containing the OrCAD demo version and design files

Thermal Analysis with SolidWorks Simulation 2014 Paul Kurowski, 2014 Thermal Analysis with SolidWorks Simulation 2014 goes beyond the standard software manual It concurrently introduces the reader to thermal analysis and its implementation in SolidWorks Simulation using hands on exercises A number of projects are presented to illustrate thermal analysis and related topics Each chapter is designed to build on the skills and understanding gained from previous exercises

Thermal Analysis with SolidWorks Simulation 2014 is designed for users who are already familiar with the basics of Finite Element Analysis FEA using SolidWorks Simulation or who have completed the book Engineering Analysis with SolidWorks Simulation 2014 Thermal Analysis with SolidWorks Simulation 2014 builds on these topics in the area of thermal analysis Some understanding of FEA and SolidWorks Simulation is assumed **Desarrollo y Construcción de Prototipos**

Electrónicos Ángel Bueno Martín, Ana I. de Soto Gorroño, 2005-09-15 Este manual es una guía que proporciona instrucciones completas y detalladas para el uso de los programas OrCAD Capture Layout plus y LPKF CircuitCAM BoardMaster de diseño y construcción de prototipos electrónicos respectivamente Pretendemos familiarizar al lector con el entorno de trabajo CAD CAM electrónico a través del software propuesto Junto a las indicaciones que ayudan a adquirir la destreza en el manejo de las herramientas informáticas orientadas al diseño electrónico en este libro se dan una serie de consejos y observaciones de interés que facilitan el trabajo y aclaran las dudas que con frecuencia le surgen al principiante haciendo hincapié en la correcta obtención y presentación de resultados informes planos fotolitos etc Respecto a la metodología cabe destacar su carácter de tutorial es decir se propone un ejemplo que servirá de hilo conductor para ir completando las fases que conforman la base de datos del diseño Cada tema está desarrollado gradualmente explicando los comandos e instrucciones allí donde aparecen por vez primera Se acompañan numerosas ventanas pantallas aclaratorias aportaciones prácticas y explicaciones adicionales en aras de facilitar la comprensión de lo expuesto Se trata en definitiva de un método que ayuda en la realización de un trabajo organizado y eficaz que facilita la labor del profesor y el aprendizaje del alumno MATERIALES ADICIONALES EN APARTADO DE DESCARGAS DEL WEB MARCOMBO.COM *PC Mag*, 1993-06-29 PCMag.com is a leading authority on technology delivering Labs based independent reviews of the latest products and services Our expert industry analysis and practical solutions help you make better buying decisions and get more from technology

Byte, 1984 *Microtimes*, 1993-04 **Macworld**, 1989 **Sound & Vibration**, 2000 [PC/Computing](#), 1993-07

SolidWorks práctico II - 2.a edición Sergio Gómez González, 2024-06-19 Si es un estudiante o un diseñador novel que desea adentrarse en el diseño y validación de productos mecánicos con SolidWorks con el objetivo de crear máquinas mecanismos productos o modelos para impresión 3D ha llegado al libro indicado SolidWorks práctico II es una compilación de prácticas guiadas y ejercicios de examen diseñados por el autor para sus clases universitarias en la Universidad Politécnica de Cataluña EEBE UPC Estas prácticas abarcan una amplia gama de complementos como Routing Motion Simulation FlowSimulation Photoview SolidCAM DMFXpress entre otros El contenido del libro se caracteriza por su enfoque visual y práctico lo que facilita la lectura con abundantes ilustraciones que detallan las etapas necesarias para utilizar los complementos de SolidWorks en el diseño y validación de productos más eficientes seguros y económicos Además en el libro encontrar el código de acceso que le permitirá descargar de forma gratuita los contenidos adicionales desde www.marcombo.info que incluyen los modelos descritos a lo largo de la obra Esta segunda edición también cuenta con el acceso gratuito al Curso de

SolidWorks Simulation Flow Simulation y otros complementos Dicho curso est valorado en 35 y se compone de 54 videos con una duraci n total de 8 horas para que profundice en el entorno las aplicaciones y las funcionalidades de Solidworks el dise o de chapa met lica el dise o de moldes para inyecci n de pl sticos las simulaciones de inyecci n de pl sticos SolidWorks Plastics el dise o de estructura met lica y soldadura biblioteca de dise o y Toolbox PhotoViewer 360 imagen sint tica FeatureWorks SolidWorks Costing sostenibilidad FDMXpress entre otros Al finalizar el curso podr realizar un proyecto para conseguir la certificaci n de realizaci n del curso H gase con este libro y saque provecho de SolidWorks el software CAD CAM CAE que le permitir adem s de modelar piezas ensamblar conjuntos y crear planos validar sus dise os para realizar productos m s seguros y eficientes **PC Magazine** ,1993-06 *Applied Science & Technology Index* ,1997 **InfoWorld** ,1986

PCB Design & Layout For DIY Etching A B Lawal,2021-03-14 In this tutorial you will learn step by step how to use Ultiboard to route and make a single layer Printed Circuit Board layout that you can print out on paper Finally you will learn with demo videos a very inexpensive DIY method for transferring your layout to a Copper Clad board that you can etch and solder manually No heat transfer is involved After reading and completing the simple demo projects in this book you will learn many features of Ultiboard very fast and very effectively without getting overwhelmed You will not need to export any files or send gerbers to a PCB manufacturer fabricator We will be using the National Instruments Ultiboard and Multism PCB Design suite which I found to be the best among several others I have used Any of the versions 12 13 and 14 of this suite works perfectly well There is a link in this book for you to download a hassle free trial version of the suite that you can use for many days to learn and practice many projects of your own Merely having the Ultiboard user manual or referring to its help contents is far from sufficient in becoming a skillful PCB designer Therefore this book is extremely useful for building PCB design skills very fast First it will give you a big head start if you have never designed a PCB layout before Then it will teach you more advanced techniques you need to learn design and build anything from simple to complex PCB layouts using mostly Ultiboard Finally if you have questions or need further help I urge you to use the support link I provided in the last Chapter of this book I will get back to you very quickly *Complete PCB Design Using OrCAD Capture and PCB Editor* Kraig Mitzner,Bob Doe,Alexander Akulin,Anton Suponin,Dirk Müller,2019-06-20 Complete PCB Design Using OrCAD Capture and PCB Editor Second Edition provides practical instruction on how to use the OrCAD design suite to design and manufacture printed circuit boards Chapters cover how to Design a PCB using OrCAD Capture and OrCAD PCB Editor adding PSpice simulation capabilities to a design how to develop custom schematic parts how to create footprints and PSpice models and how to perform documentation simulation and board fabrication from the same schematic design This book is suitable for both beginners and experienced designers providing basic principles and the program s full capabilities for optimizing designs Companion sitehttps www elsevier com books and journals book companion 9780128176849 Presents a fully updated edition on OrCAD Capture Version 17 2 Combines the theoretical and practical parts of PCB design Includes

real life design examples that show how and why designs work providing a comprehensive toolset for understanding OrCAD software Provides the exact order in which a circuit and PCB are designed Introduces the IPC JEDEC and IEEE standards relating to PCB design

Printed Circuit Boards R. S. Khandpur, 2005-09-07 The printed circuit is the basic building block of the electronics hardware industry This is a comprehensive single volume self teaching guide to the art of printed circuit board design and fabrication covering the complete cycle of PCB creation design layout fabrication assembly and testing

When somebody should go to the books stores, search initiation by shop, shelf by shelf, it is in fact problematic. This is why we allow the ebook compilations in this website. It will completely ease you to look guide **Pcb Wizard Tutorial 1** as you such as.

By searching the title, publisher, or authors of guide you essentially want, you can discover them rapidly. In the house, workplace, or perhaps in your method can be every best area within net connections. If you ambition to download and install the Pcb Wizard Tutorial 1, it is definitely easy then, back currently we extend the associate to purchase and make bargains to download and install Pcb Wizard Tutorial 1 as a result simple!

<https://py.bijouxmedusa.com/data/publication/default.aspx/monetization%20review%20america%2055%202108%20blog%20monetization%20review%20usa%2055%20394.pdf>

Table of Contents Pcb Wizard Tutorial 1

1. Understanding the eBook Pcb Wizard Tutorial 1
 - The Rise of Digital Reading Pcb Wizard Tutorial 1
 - Advantages of eBooks Over Traditional Books
2. Identifying Pcb Wizard Tutorial 1
 - Exploring Different Genres
 - Considering Fiction vs. Non-Fiction
 - Determining Your Reading Goals
3. Choosing the Right eBook Platform
 - Popular eBook Platforms
 - Features to Look for in an Pcb Wizard Tutorial 1
 - User-Friendly Interface
4. Exploring eBook Recommendations from Pcb Wizard Tutorial 1
 - Personalized Recommendations
 - Pcb Wizard Tutorial 1 User Reviews and Ratings

- Pcb Wizard Tutorial 1 and Bestseller Lists
- 5. Accessing Pcb Wizard Tutorial 1 Free and Paid eBooks
 - Pcb Wizard Tutorial 1 Public Domain eBooks
 - Pcb Wizard Tutorial 1 eBook Subscription Services
 - Pcb Wizard Tutorial 1 Budget-Friendly Options
- 6. Navigating Pcb Wizard Tutorial 1 eBook Formats
 - ePub, PDF, MOBI, and More
 - Pcb Wizard Tutorial 1 Compatibility with Devices
 - Pcb Wizard Tutorial 1 Enhanced eBook Features
- 7. Enhancing Your Reading Experience
 - Adjustable Fonts and Text Sizes of Pcb Wizard Tutorial 1
 - Highlighting and Note-Taking Pcb Wizard Tutorial 1
 - Interactive Elements Pcb Wizard Tutorial 1
- 8. Staying Engaged with Pcb Wizard Tutorial 1
 - Joining Online Reading Communities
 - Participating in Virtual Book Clubs
 - Following Authors and Publishers Pcb Wizard Tutorial 1
- 9. Balancing eBooks and Physical Books Pcb Wizard Tutorial 1
 - Benefits of a Digital Library
 - Creating a Diverse Reading Collection Pcb Wizard Tutorial 1
- 10. Overcoming Reading Challenges
 - Dealing with Digital Eye Strain
 - Minimizing Distractions
 - Managing Screen Time
- 11. Cultivating a Reading Routine Pcb Wizard Tutorial 1
 - Setting Reading Goals Pcb Wizard Tutorial 1
 - Carving Out Dedicated Reading Time
- 12. Sourcing Reliable Information of Pcb Wizard Tutorial 1
 - Fact-Checking eBook Content of Pcb Wizard Tutorial 1
 - Distinguishing Credible Sources

13. Promoting Lifelong Learning
 - Utilizing eBooks for Skill Development
 - Exploring Educational eBooks
14. Embracing eBook Trends
 - Integration of Multimedia Elements
 - Interactive and Gamified eBooks

Pcb Wizard Tutorial 1 Introduction

In the digital age, access to information has become easier than ever before. The ability to download Pcb Wizard Tutorial 1 has revolutionized the way we consume written content. Whether you are a student looking for course material, an avid reader searching for your next favorite book, or a professional seeking research papers, the option to download Pcb Wizard Tutorial 1 has opened up a world of possibilities. Downloading Pcb Wizard Tutorial 1 provides numerous advantages over physical copies of books and documents. Firstly, it is incredibly convenient. Gone are the days of carrying around heavy textbooks or bulky folders filled with papers. With the click of a button, you can gain immediate access to valuable resources on any device. This convenience allows for efficient studying, researching, and reading on the go. Moreover, the cost-effective nature of downloading Pcb Wizard Tutorial 1 has democratized knowledge. Traditional books and academic journals can be expensive, making it difficult for individuals with limited financial resources to access information. By offering free PDF downloads, publishers and authors are enabling a wider audience to benefit from their work. This inclusivity promotes equal opportunities for learning and personal growth. There are numerous websites and platforms where individuals can download Pcb Wizard Tutorial 1. These websites range from academic databases offering research papers and journals to online libraries with an expansive collection of books from various genres. Many authors and publishers also upload their work to specific websites, granting readers access to their content without any charge. These platforms not only provide access to existing literature but also serve as an excellent platform for undiscovered authors to share their work with the world. However, it is essential to be cautious while downloading Pcb Wizard Tutorial 1. Some websites may offer pirated or illegally obtained copies of copyrighted material. Engaging in such activities not only violates copyright laws but also undermines the efforts of authors, publishers, and researchers. To ensure ethical downloading, it is advisable to utilize reputable websites that prioritize the legal distribution of content. When downloading Pcb Wizard Tutorial 1, users should also consider the potential security risks associated with online platforms. Malicious actors may exploit vulnerabilities in unprotected websites to distribute malware or steal personal information. To protect themselves, individuals should ensure their devices have reliable antivirus software installed and validate the legitimacy of the websites they are downloading from.

In conclusion, the ability to download Pcb Wizard Tutorial 1 has transformed the way we access information. With the convenience, cost-effectiveness, and accessibility it offers, free PDF downloads have become a popular choice for students, researchers, and book lovers worldwide. However, it is crucial to engage in ethical downloading practices and prioritize personal security when utilizing online platforms. By doing so, individuals can make the most of the vast array of free PDF resources available and embark on a journey of continuous learning and intellectual growth.

FAQs About Pcb Wizard Tutorial 1 Books

How do I know which eBook platform is the best for me? Finding the best eBook platform depends on your reading preferences and device compatibility. Research different platforms, read user reviews, and explore their features before making a choice. Are free eBooks of good quality? Yes, many reputable platforms offer high-quality free eBooks, including classics and public domain works. However, make sure to verify the source to ensure the eBook credibility. Can I read eBooks without an eReader? Absolutely! Most eBook platforms offer web-based readers or mobile apps that allow you to read eBooks on your computer, tablet, or smartphone. How do I avoid digital eye strain while reading eBooks? To prevent digital eye strain, take regular breaks, adjust the font size and background color, and ensure proper lighting while reading eBooks. What the advantage of interactive eBooks? Interactive eBooks incorporate multimedia elements, quizzes, and activities, enhancing the reader engagement and providing a more immersive learning experience. Pcb Wizard Tutorial 1 is one of the best book in our library for free trial. We provide copy of Pcb Wizard Tutorial 1 in digital format, so the resources that you find are reliable. There are also many Ebooks of related with Pcb Wizard Tutorial 1. Where to download Pcb Wizard Tutorial 1 online for free? Are you looking for Pcb Wizard Tutorial 1 PDF? This is definitely going to save you time and cash in something you should think about.

Find Pcb Wizard Tutorial 1 :

[monetization review America 55-2108](#) [blog monetization review USA 55-394](#)

[United States 55-1588](#) [stock market for beginners for creators 55-1149](#)

[study America 55-984](#) **[travel tips case study for creators 55-189](#)** **[travel](#)**

[on demand for beginners America 55-606](#) **[print on demand for beginners for](#)**

[budget travel checklist for startups 55-428](#) **[budget travel comparison for](#)**

[improvement trends for creators 55-915](#) **[credit score improvement tutorial](#)**

[startup funding examples United States 55-2203](#) [startup funding examples strategy tips for entrepreneurs 55-1444](#) [SEO strategy tips for startups best practices America 55-2930](#) [dropshipping business best practices USA for entrepreneurs 55-2735](#) [travel tips apps for small business 55-264 examples USA 55-1539](#) [interview tips examples USA 55-1568](#) [interview tips ecommerce trends review for entrepreneurs 55-1390](#) [ecommerce trends trends apps for small business 55-1401](#) [ecommerce trends apps for small for entrepreneurs 55-1021](#) [blockchain development examples USA 55-2245](#)
creators 55-845 [sustainable living tools for entrepreneurs 55-1321](#)

Pcb Wizard Tutorial 1 :

[mars nation 1 hard science fiction mars trilogy](#) - Oct 09 2021

mars nation the complete trilogy hard science fiction - Oct 21 2022

web brandon q morris mars nation 1 hard science fiction mars trilogy kindle edition by brandon q morris author format kindle edition 4 2 2 053 ratings book 1 of 3 mars

[mars nation mars nation 1 3 by brandon q morris goodreads](#) - Aug 19 2022

web mars nation 1 hard science fiction mars trilogy ebook morris brandon q amazon ca kindle store

mars nation 3 hard science fiction mars trilogy - Jun 28 2023

web mars nation 3 hard science fiction mars trilogy ebook morris brandon q amazon co uk kindle store

[mars nation 1 hard science fiction mars trilogy](#) - Mar 14 2022

[mars nation 1 hard science fiction mars trilogy](#) - Nov 09 2021

mars nation 1 hard science fiction mars trilogy - Jul 18 2022

web mars nation 2 hard science fiction mars trilogy ebook morris brandon q amazon co uk kindle store

mars nation 3 hard science fiction mars trilogy softcover - Dec 23 2022

web mars nation 3 hard science fiction mars trilogy band 3 morris brandon q isbn 9783947283712 kostenloser versand für alle bücher mit versand und verkauf duch

[mars nation 3 hard science fiction mars trilogy amazon de](#) - Nov 21 2022

web on mars a struggle begins for limited resources human cooperation and just plain survival hard science fiction contains all three books of the trilogy in one volume plus the

mars nation 3 hard science fiction mars trilogy ebook - Jan 24 2023

web sep 9 2020 the very first human has just set foot on the surface of our neighbor planet this is the start of a long research expedition that sent four scientists into space but the

mars nation 1 mars trilogy 1 by brandon q morris goodreads - Jan 12 2022

mars nation 2 hard science fiction mars trilogy - Feb 10 2022

mars nation 3 hard science fiction mars trilogy kindle edition - Mar 26 2023

web abebooks com mars nation 3 hard science fiction mars trilogy 9783947283774 by morris brandon q and a great selection of similar new used and collectible books

mars nation 3 hard science fiction mars trilogy band 3 - Sep 19 2022

web apr 6 2020 download book mars nation 3 hard science fiction mars trilogy by author brandon q morris in pdf epub original title isbn b07zy7jpszf

pdf epub mars nation 3 hard science fiction mars trilogy - May 16 2022

web mars nation 1 hard science fiction mars trilogy ebook morris brandon q amazon com au kindle store

mars nation series by brandon q morris goodreads - Jul 30 2023

web dec 19 2019 mars nation 3 hard science fiction mars trilogy paperback december 19 2019 by brandon q morris author 422 ratings book 3 of 3 mars trilogy

[mars nation the complete trilogy mars trilogy](#) - May 28 2023

web on mars a struggle begins for limited resources human cooperation and just plain survival hard science fiction contains all three books of the trilogy in one volume plus the

mars nation 3 hard science fiction mars trilogy - Aug 31 2023

web mars nation by brandon q morris 3 96 71 ratings 4 reviews 3 editions the bestselling trilogy now in one omnibus edition want to read rate it hard sf by

mars nation 1 hard science fiction mars trilogy - Jun 16 2022

web nov 29 2018 community jump to ratings and reviews shelved as dnf read 76 reviews from the world s largest community for readers nasa finally made it the very first

mars nation hard science fiction - Apr 26 2023

web mars nation 3 hard science fiction mars trilogy ebook morris brandon q amazon in kindle store
mars nation 2 hard science fiction mars trilogy - Dec 11 2021

mars nation the complete trilogy books 1 3 fantastic fiction - Feb 22 2023

web amazon de ebook mars nation 3 hard science fiction mars trilogie morris brandon q sofort auf ihrem kindle pc tablet oder smartphone verfügbar jetzt entdecken

mars nation 1 hard science fiction mars trilogy amazon ca - Apr 14 2022

exceptional lives practice progress dignity in today s - Sep 08 2023

web aug 17 2023 exceptional lives practice progress dignity in today s schools 10th edition published by pearson august 17 2023 2024 ann turnbull h rutherford turnbull university of kansas emeritus michael l wehmeyer university of kansas karrie a shogren university of kansas megan m burke university of illinois at urbana

exceptional lives practice progress by turnbull ann - Oct 09 2023

web mar 1 2019 exceptional lives practice progress dignity in today s schools pairs real life stories about children their families and their educators with the most recent evidence based research on inclusion of students with disabilities in

exceptional lives practice progress dignity in today s - Jul 06 2023

web exceptional lives practice progress dignity in today s schools plus mylab education with pearson etext access card package myeducationlab turnbull ann turnbull h rutherford wehmeyer michael shogren karrie amazon com tr kitap

exceptional lives google books - Nov 29 2022

web aug 20 2010 exceptional lives special education in today s schools student value edition authors ann turnbull h rutherford turnbull rud turnbull michael l wehmeyer dorothy leal edition 6

exceptional lives practice progress dignity in today s schools - Sep 27 2022

web feb 8 2019 exceptional lives practice progress dignity in today s schools 9th edition kindle edition exceptional lives practice progress dignity in today s schools 9th edition kindle edition by turnbull ann author turnbull h rutherford author 2 more format kindle edition 4 6 610 ratings

exceptional lives special education in today s schools goodreads - Mar 22 2022

web nov 1 1994 ann p turnbull h rutherford turnbull michael l wehmeyer 3 54 305 ratings22 reviews through real life stories of children and their families exceptional lives provides teachers with a comprehensive experience in special education

exceptional lives special education in today s schools ann turnbull - Jun 24 2022

web aug 19 2012 exceptional lives special education in today s schools ann turnbull h rutherford turnbull rud turnbull michael l wehmeyer karrie a shogren prentice hall ptr aug 19 2012

exceptional lives by turnbull alibris - Feb 18 2022

web buy exceptional lives by turnbull online at alibris we have new and used copies available in 1 editions starting at 17 00 shop now add to cart add this copy of exceptional lives 3rd ed special education in today s to cart 17 97 good condition sold by solr books rated 4 0 out of 5 stars ships from skokie

exceptional lives special education in today s schools turnbull - May 04 2023

web exceptional lives special education in today s schools turnbull ann turnbull h rutherford wehmeyer michael l shogren karrie a amazon com tr kitap

exceptional lives special education by turnbull ann - Dec 31 2022

web feb 24 2012 exceptional lives special education in today s schools student value edition 7th edition turnbull ann turnbull h rutherford wehmeyer michael l shogren karrie a on amazon com free shipping on qualifying offers exceptional lives special education in today s schools student value edition 7th edition

exceptional lives practice progress and dignity in t - Jul 26 2022

web exceptional lives practice progress dignity in today s schools by ann p turnbull michael l wehmeyer contributor karrie ann shogren contributor meghan a burke contributor 0 00 rating details 0 ratings 0 reviews what exactly is special education

exceptional lives special education in today s schools turnbull - May 24 2022

web exceptional lives special education in today s schools turnbull ann p 1947 free download borrow and streaming internet archive

exceptional lives special education in today s schools turnbull - Aug 27 2022

web exceptional lives special education in today s schools by turnbull ann p 1947 co author

exceptional lives practice progress dignity in today s schools - Mar 02 2023

web authors ann p turnbull author h rutherford turnbull author michael l wehmeyer author karrie ann shogren author summary the 9th edition highlights the important themes of ensuring students progress using research based instruction and the ethical principle of dignity

exceptional lives special education in today s schools - Apr 22 2022

web ann p turnbull h rutherford turnbull michael l wehmeyer karrie a shogren merrill 2013 children with disabilities 448 pages through real life stories about children their

exceptional lives pearson - Apr 03 2023

web title exceptional lives practice progress dignity in today s schools ann turnbull university of kansas beach center on

disability rud ann and rud turnbull dedicate this book to their best professor their son jay j t he was born in 1967 with
exceptional lives special education in today s schools 7th - Feb 01 2023

web jan 6 2012 exceptional lives special education in today s schools 7th edition ann turnbull rud turnbull michael l wehmeyer karrie a shogren on amazon com free shipping on qualifying offers exceptional lives special education in today s schools 7th edition

exceptional lives special education in today s schools plus - Oct 29 2022

web exceptional lives special education in today s schools plus myeducationlab with pearson etext access card package turnbull ann a turnbull h rutherford wehmeyer michael l shogren karrie a amazon com tr kitap
exceptional lives practice progress dignity in today s schools - Aug 07 2023

web jun 30 2020 exceptional lives practice progress dignity in today s schools 9th edition published by pearson july 1 2020 2020 ann turnbull h rutherford

exceptional lives google books - Jun 05 2023

web with its focus on real students stories and solutions exceptional lives gives readers a comprehensive view of the rewards challenges and triumphs involved in special education today also

give your speech change the world public words - Feb 08 2023

web his acclaimed book on public speaking working the room how to move people to action through audience centered speaking was published by harvard in 2003 and reprinted

give your speech change the world how to move your - Mar 29 2022

web abebooks com give your speech change the world how to move your audience to action 9781591397144 by morgan nick and a great selection of similar new used and

give your speech change the world how to move your - May 11 2023

web feb 1 2005 morgan says this kinesthetic connection comes from truly listening to your audience not just with your brain but with your body in this book he draws from more

can a speech change the world forbes - Jan 27 2022

web whether speaking to a handful of employees or a keynote audience of hundreds anyone can use these principles to give speeches that challenge minds impassion hearts and

give your speech change the world overdrive - Apr 29 2022

web feb 1 2005 give your speech change the world takes public speaking to a higher level with a new audience centered approach that combines aspects of ancient greek

give your speech change the world how to move your - Sep 03 2022

web jan 1 2005 amazon in buy give your speech change the world how to move the audience to action book online at best prices in india on amazon in read give your

give your speech change the world how to move the - Aug 02 2022

web give your speech change the world how to move your audience to action by morgan nick 1953 publication date 2005 topics public speaking publisher boston harvard

give your speech change the world how to move your - Dec 26 2021

web read give your speech change the world by nick morgan with a free trial read millions of ebooks and audiobooks on the web ipad iphone and android do you remember the

give your speech change the world by nick morgan scribd - Nov 24 2021

web give your speech change the world offers a more sophisticated treatment of public speaking than previous books on the subject most books in this genre are gimmicky

give your speech change the world how to move your - Jan 07 2023

web feb 23 2005 give your speech change the world how to move your audience to action author nick morgan publisher harvard business review press 2005 isbn

loading interface goodreads - Sep 22 2021

give your speech change the world how to move your - Oct 04 2022

web morgan begins working the room with a quote from a speechwriter who postulated the only reason to give a speech was to change the world there is no better advice to give to

give your speech change the world how to move the - Jul 13 2023

web feb 23 2005 give your speech change the world how to move your audience to action kindle edition by morgan nick download it once and read it on your kindle

give your speech change the world by nick morgan ebook - May 31 2022

web feb 23 2005 morgan says this kinesthetic connection comes from truly listening to your audience not just with your brain but with your body in this book he draws from more

books public words - Oct 24 2021

web discover and share books you love on goodreads

give your speech change the world how to move your - Nov 05 2022

web feb 1 2005 buy give your speech change the world how to move your audience to action by morgan nick isbn 9781591397144 from amazon s book store everyday

give your speech change the world google books - Apr 10 2023

web the only reason to give a speech is to change the world an old friend of mine a speechwriter used to say that to me he meant it as a challenge it was his way of

give your speech change the world google books - Dec 06 2022

web give your speech change the world how to move your audience to action morgan nick amazon com tr

amazon com give your speech change the world - Jun 12 2023

web give your speech change the world how to move your audience to action by nick morgan released february 2005

publisher s harvard business review press isbn

give your speech change the world how to move - Aug 14 2023

web explore guided resources and trainings led by industry experts bring learning to life as you dive into tools and teachings created by masters of their craft teaching in online

give your speech change the world how to move your - Mar 09 2023

web the only reason to give a speech is to change the world 1 part i history and overview chapter 1 how did we get here 11 chapter 2 what to do the

give your speech change the world how to move your audience - Jul 01 2022

web morgan says this kinesthetic connection comes from truly listening to your audiencenot just with your brain but with your body in this book he draws from more than 20 years

give your speech change the world how to move your - Feb 25 2022

web mar 3 2016 nick morgan contributor i m passionate about communications especially public speaking mar 3 2016 08 00am est this article is more than 7 years old share