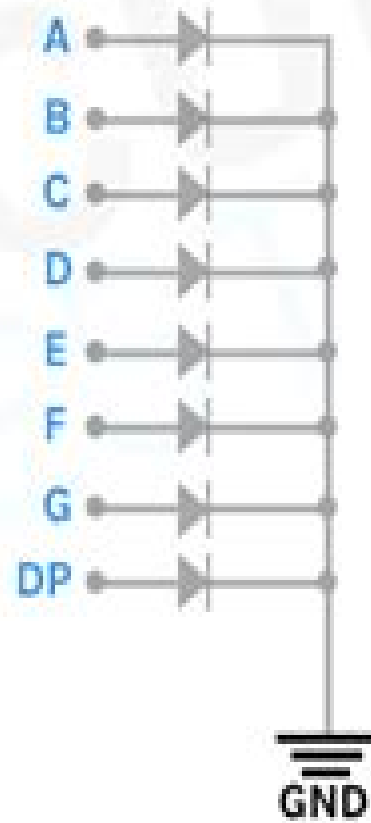
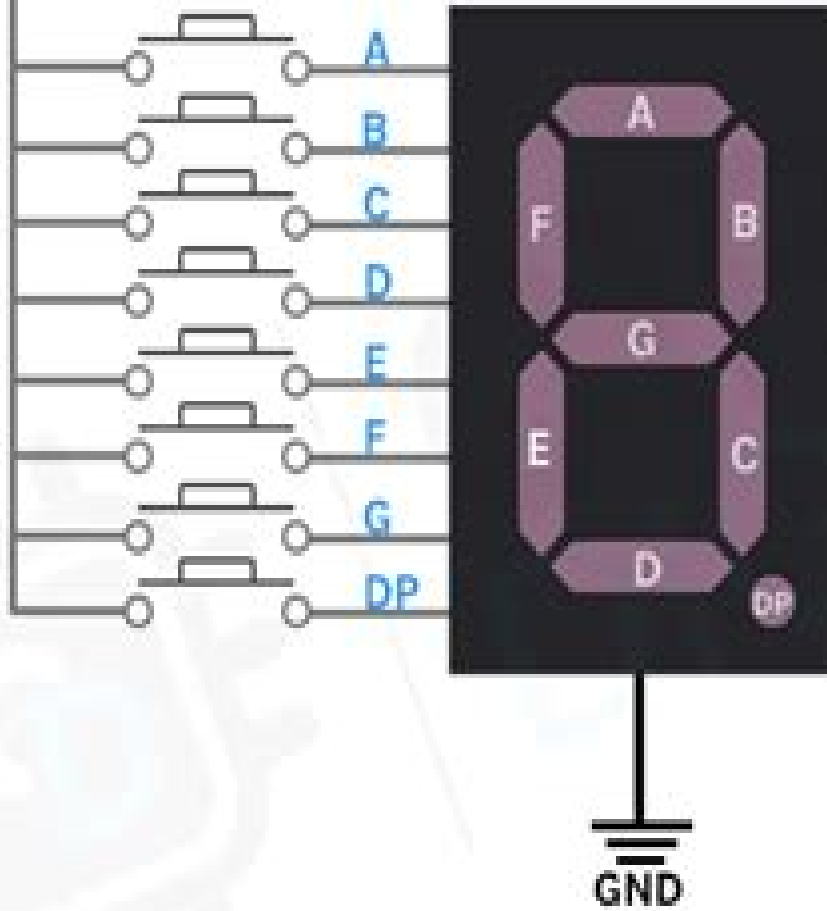


**VCC**



**Common Cathode**  
7 Segment

# 7 Segment Led Controller Datasheet

**IM Harris**



## 7 Segment Led Controller Datasheet:

**C and the 8051** Thomas W. Schultz, Thomas Schultz, 2004 This totally reworked book combines two previous books with material on networking It is a complete guide to programming and interfacing the 8051 microcontroller family devices for embedded applications

Digital Electronic Components Franco Zappa, Rita Asquini, 2025-05-13 The book is aimed at readers interested in the hardware design of digital electronic circuits and systems It introduces the basics of digital electronics and then describes in detail both combinational and sequential components The book aims at providing an indepth overview of commercially available off the shelf devices necessary to design low and medium complexity digital electronic systems Topics covered in the book Basic and advanced logic gates TTL and CMOS logic families and interoperability Combinational logic and truth table Sum of Products Product of Sums and Karnaugh maps design Sequential logic and classifications Latches and Flip Flops Combinational components encoders decoders comparators parity generators and checkers Adders ALU mux demux Sequential components latches and flip flops shift registers counters Memories ROM RAM SDRAM and flash 8 bit Microcontrollers architectures and development tools Basics of typical microcontroller s assembly language and opcodes Microcontrollers internal peripherals and their working operations

Digital Electronics Franco Zappa, 2019-09-11 The book is addressed to an audience interested in the hardware design of digital electronic circuits and systems It introduces the basics of digital electronics and then describes in detail both combinational and sequential logics and components The book aims at providing an in depth overview of the devices and components necessary to design digital electronic systems by exploiting commercially available components The book describes the most important concepts components internal block diagrams schematics and functional specifications implementations and design tricks that are the fundamental building blocks of any complex electronic system designed to be implemented either through discrete components in electronic boards or by means of single chip programmable logic such as Field Programmable Gate Arrays and microcontrollers The topics covered by the book are Basic and advanced logic gates TTL and CMOS logic families and interoperability Combinational logic and truth table Sum of Products Product of Sums and Karnaugh maps design Sequential logic and classifications Latches and Flip Flops Combinational MSI integrated circuits encoders decoders comparators parity generators and checkers adders ALU multiplexer demultiplexer Sequential MSI integrated circuits latches and flip flops registers shift registers counters Memories ROM RAM SDRAM E2PROM and flash Basics on 8 bit Microcontrollers

**Shortening the Path from Specification to Prototype**, 2002 **Electrical Design News**, 1982

Arduino Cookbook Michael Margolis, Brian Jepson, Nicholas Robert Weldin, 2020-04-17 Want to create devices that interact with the physical world This cookbook is perfect for anyone who wants to experiment with the popular Arduino microcontroller and programming environment You ll find more than 200 tips and techniques for building a variety of objects and prototypes such as IoT solutions environmental monitors location and position aware systems and products that can

respond to touch sound heat and light Updated for the Arduino 1.8 release the recipes in this third edition include practical examples and guidance to help you begin expand and enhance your projects right away whether you're an engineer designer artist student or hobbyist Get up to speed on the Arduino board and essential software concepts quickly Learn basic techniques for reading digital and analog signals Use Arduino with a variety of popular input devices and sensors Drive visual displays generate sound and control several types of motors Connect Arduino to wired and wireless networks Learn techniques for handling time delays and time measurement Apply advanced coding and memory handling techniques

Exploring BeagleBone Derek Molloy, 2018-12-17 In depth instruction and practical techniques for building with the BeagleBone embedded Linux platform Exploring BeagleBone is a hands on guide to bringing gadgets gizmos and robots to life using the popular BeagleBone embedded Linux platform Comprehensive content and deep detail provide more than just a BeagleBone instruction manual you'll also learn the underlying engineering techniques that will allow you to create your own projects The book begins with a foundational primer on essential skills and then gradually moves into communication control and advanced applications using C/C++ allowing you to learn at your own pace In addition the book's companion website features instructional videos source code discussion forums and more to ensure that you have everything you need The BeagleBone's small size high performance low cost and extreme adaptability have made it a favorite development platform and the Linux software base allows for complex yet flexible functionality The BeagleBone has applications in smart buildings robot control environmental sensing to name a few and expansion boards and peripherals dramatically increase the possibilities Exploring BeagleBone provides a reader friendly guide to the device including a crash course in computer engineering While following step by step you can Get up to speed on embedded Linux electronics and programming Master interfacing electronic circuits buses and modules with practical examples Explore the Internet connected BeagleBone and the BeagleBone with a display Apply the BeagleBone to sensing applications including video and sound Explore the BeagleBone's Programmable Real Time Controllers Updated to cover the latest Beagle boards Linux kernel versions and Linux software releases Includes new content on Linux kernel development the Linux Remote Processor Framework CAN bus IoT frameworks and much more Hands on learning helps ensure that your new skills stay with you allowing you to design with electronics modules or peripherals even beyond the BeagleBone Insightful guidance and online peer support help you transition from beginner to expert as you master the techniques presented in Exploring BeagleBone the practical handbook for the popular computing platform

**Designer's Handbook of Integrated Circuits** Arthur Bernard Williams, 1984

**Electronics**, 1983 June issues 1941 44 and Nov issue 1945 include a buyers guide section **Introduction to Mechatronics and Measurement Systems** David G. Alciatore, Michael B. Hstand, 2007 Providing comprehensive coverage of the field of mechatronics this book is useful for mechanical electrical and aerospace engineering majors It presents a review of electrical circuits solid state devices digital circuits and motors It also includes many illustrations examples class

discussion items and chapter questions and exercises     Exploring Raspberry Pi Derek Molloy,2016-06-09 Expand Raspberry Pi capabilities with fundamental engineering principles Exploring Raspberry Pi is the innovators guide to bringing Raspberry Pi to life This book favors engineering principles over a recipe approach to give you the skills you need to design and build your own projects You ll understand the fundamental principles in a way that transfers to any type of electronics electronic modules or external peripherals using a learning by doing approach that caters to both beginners and experts The book begins with basic Linux and programming skills and helps you stock your inventory with common parts and supplies Next you ll learn how to make parts work together to achieve the goals of your project no matter what type of components you use The companion website provides a full repository that structures all of the code and scripts along with links to video tutorials and supplementary content that takes you deeper into your project The Raspberry Pi s most famous feature is its adaptability It can be used for thousands of electronic applications and using the Linux OS expands the functionality even more This book helps you get the most from your Raspberry Pi but it also gives you the fundamental engineering skills you need to incorporate any electronics into any project Develop the Linux and programming skills you need to build basic applications Build your inventory of parts so you can always make it work Understand interfacing controlling and communicating with almost any component Explore advanced applications with video audio real world interactions and more Be free to adapt and create with Exploring Raspberry Pi     EDN ,1994     **Practical Digital Electronics** Nigel P. Cook,2004 Appropriate for Digital Electronics courses in high schools vocational technical schools and community colleges After 16 textbooks 26 editions and 19 years of front line education experience best selling author Nigel Cook s new text Practical Digital Electronics completes the successful Practical Series trilogy Practical Electricity 14 dc ac chapters ISBN 0 13 042047 6 Practical Electronics 14 devices chapters ISBN 0 13 042082 4 Practical Digital Electronics 14 digital chapters ISBN 0 13 111060 8     Electronic Design ,2006     Instrumentation & Control Systems ,1998     *Computer Design* ,1982     **Pollution Equipment News** ,2000     **Lab Manual to Accompany Tocci's Digital Systems, Principles and Applications, 3/E** Jim C. DeLoach,1985     The Linear Control Circuits Data Book for Design Engineers Texas Instruments Incorporated. Semiconductor Group,1976     *Popular Electronics* ,1982

## Whispering the Secrets of Language: An Psychological Journey through **7 Segment Led Controller Datasheet**

In a digitally-driven earth wherever displays reign supreme and quick conversation drowns out the subtleties of language, the profound techniques and emotional nuances hidden within words usually get unheard. Yet, located within the pages of **7 Segment Led Controller Datasheet** a interesting literary value pulsing with organic emotions, lies an exceptional quest waiting to be undertaken. Penned by a talented wordsmith, this enchanting opus encourages visitors on an introspective trip, softly unraveling the veiled truths and profound impact resonating within the material of each and every word. Within the psychological depths with this moving review, we shall embark upon a heartfelt exploration of the book is core subjects, dissect its interesting publishing fashion, and fail to the effective resonance it evokes deep within the recesses of readers hearts.

<https://py.bijouxmedusa.com/files/uploaded-files/index.jsp/Entrepreneurs%2072%202511%20YouTube%20Growth%20Ideas%20For%20Small%20Business%2072%201767.pdf>

### **Table of Contents 7 Segment Led Controller Datasheet**

1. Understanding the eBook 7 Segment Led Controller Datasheet
  - The Rise of Digital Reading 7 Segment Led Controller Datasheet
  - Advantages of eBooks Over Traditional Books
2. Identifying 7 Segment Led Controller Datasheet
  - Exploring Different Genres
  - Considering Fiction vs. Non-Fiction
  - Determining Your Reading Goals
3. Choosing the Right eBook Platform
  - Popular eBook Platforms
  - Features to Look for in an 7 Segment Led Controller Datasheet
  - User-Friendly Interface
4. Exploring eBook Recommendations from 7 Segment Led Controller Datasheet

- Personalized Recommendations
  - 7 Segment Led Controller Datasheet User Reviews and Ratings
  - 7 Segment Led Controller Datasheet and Bestseller Lists
5. Accessing 7 Segment Led Controller Datasheet Free and Paid eBooks
- 7 Segment Led Controller Datasheet Public Domain eBooks
  - 7 Segment Led Controller Datasheet eBook Subscription Services
  - 7 Segment Led Controller Datasheet Budget-Friendly Options
6. Navigating 7 Segment Led Controller Datasheet eBook Formats
- ePub, PDF, MOBI, and More
  - 7 Segment Led Controller Datasheet Compatibility with Devices
  - 7 Segment Led Controller Datasheet Enhanced eBook Features
7. Enhancing Your Reading Experience
- Adjustable Fonts and Text Sizes of 7 Segment Led Controller Datasheet
  - Highlighting and Note-Taking 7 Segment Led Controller Datasheet
  - Interactive Elements 7 Segment Led Controller Datasheet
8. Staying Engaged with 7 Segment Led Controller Datasheet
- Joining Online Reading Communities
  - Participating in Virtual Book Clubs
  - Following Authors and Publishers 7 Segment Led Controller Datasheet
9. Balancing eBooks and Physical Books 7 Segment Led Controller Datasheet
- Benefits of a Digital Library
  - Creating a Diverse Reading Collection 7 Segment Led Controller Datasheet
10. Overcoming Reading Challenges
- Dealing with Digital Eye Strain
  - Minimizing Distractions
  - Managing Screen Time
11. Cultivating a Reading Routine 7 Segment Led Controller Datasheet
- Setting Reading Goals 7 Segment Led Controller Datasheet
  - Carving Out Dedicated Reading Time
12. Sourcing Reliable Information of 7 Segment Led Controller Datasheet

- Fact-Checking eBook Content of 7 Segment Led Controller Datasheet
  - Distinguishing Credible Sources
13. Promoting Lifelong Learning
- Utilizing eBooks for Skill Development
  - Exploring Educational eBooks
14. Embracing eBook Trends
- Integration of Multimedia Elements
  - Interactive and Gamified eBooks

## **7 Segment Led Controller Datasheet Introduction**

Free PDF Books and Manuals for Download: Unlocking Knowledge at Your Fingertips In today's fast-paced digital age, obtaining valuable knowledge has become easier than ever. Thanks to the internet, a vast array of books and manuals are now available for free download in PDF format. Whether you are a student, professional, or simply an avid reader, this treasure trove of downloadable resources offers a wealth of information, conveniently accessible anytime, anywhere. The advent of online libraries and platforms dedicated to sharing knowledge has revolutionized the way we consume information. No longer confined to physical libraries or bookstores, readers can now access an extensive collection of digital books and manuals with just a few clicks. These resources, available in PDF, Microsoft Word, and PowerPoint formats, cater to a wide range of interests, including literature, technology, science, history, and much more. One notable platform where you can explore and download free 7 Segment Led Controller Datasheet PDF books and manuals is the internet's largest free library. Hosted online, this catalog compiles a vast assortment of documents, making it a veritable goldmine of knowledge. With its easy-to-use website interface and customizable PDF generator, this platform offers a user-friendly experience, allowing individuals to effortlessly navigate and access the information they seek. The availability of free PDF books and manuals on this platform demonstrates its commitment to democratizing education and empowering individuals with the tools needed to succeed in their chosen fields. It allows anyone, regardless of their background or financial limitations, to expand their horizons and gain insights from experts in various disciplines. One of the most significant advantages of downloading PDF books and manuals lies in their portability. Unlike physical copies, digital books can be stored and carried on a single device, such as a tablet or smartphone, saving valuable space and weight. This convenience makes it possible for readers to have their entire library at their fingertips, whether they are commuting, traveling, or simply enjoying a lazy afternoon at home. Additionally, digital files are easily searchable, enabling readers to locate specific information within seconds. With a few keystrokes, users can search for keywords, topics, or phrases, making research and finding relevant information a breeze.

This efficiency saves time and effort, streamlining the learning process and allowing individuals to focus on extracting the information they need. Furthermore, the availability of free PDF books and manuals fosters a culture of continuous learning. By removing financial barriers, more people can access educational resources and pursue lifelong learning, contributing to personal growth and professional development. This democratization of knowledge promotes intellectual curiosity and empowers individuals to become lifelong learners, promoting progress and innovation in various fields. It is worth noting that while accessing free 7 Segment Led Controller Datasheet PDF books and manuals is convenient and cost-effective, it is vital to respect copyright laws and intellectual property rights. Platforms offering free downloads often operate within legal boundaries, ensuring that the materials they provide are either in the public domain or authorized for distribution. By adhering to copyright laws, users can enjoy the benefits of free access to knowledge while supporting the authors and publishers who make these resources available. In conclusion, the availability of 7 Segment Led Controller Datasheet free PDF books and manuals for download has revolutionized the way we access and consume knowledge. With just a few clicks, individuals can explore a vast collection of resources across different disciplines, all free of charge. This accessibility empowers individuals to become lifelong learners, contributing to personal growth, professional development, and the advancement of society as a whole. So why not unlock a world of knowledge today? Start exploring the vast sea of free PDF books and manuals waiting to be discovered right at your fingertips.

## **FAQs About 7 Segment Led Controller Datasheet Books**

**What is a 7 Segment Led Controller Datasheet PDF?** A PDF (Portable Document Format) is a file format developed by Adobe that preserves the layout and formatting of a document, regardless of the software, hardware, or operating system used to view or print it. **How do I create a 7 Segment Led Controller Datasheet PDF?** There are several ways to create a PDF: Use software like Adobe Acrobat, Microsoft Word, or Google Docs, which often have built-in PDF creation tools. Print to PDF: Many applications and operating systems have a "Print to PDF" option that allows you to save a document as a PDF file instead of printing it on paper. Online converters: There are various online tools that can convert different file types to PDF. **How do I edit a 7 Segment Led Controller Datasheet PDF?** Editing a PDF can be done with software like Adobe Acrobat, which allows direct editing of text, images, and other elements within the PDF. Some free tools, like PDFescape or Smallpdf, also offer basic editing capabilities. **How do I convert a 7 Segment Led Controller Datasheet PDF to another file format?** There are multiple ways to convert a PDF to another format: Use online converters like Smallpdf, Zamzar, or Adobe Acrobat's export feature to convert PDFs to formats like Word, Excel, JPEG, etc. Software like Adobe Acrobat, Microsoft Word, or other PDF editors may have options to export or save PDFs in different formats. **How do I password-protect a 7**

**Segment Led Controller Datasheet PDF?** Most PDF editing software allows you to add password protection. In Adobe Acrobat, for instance, you can go to "File" -> "Properties" -> "Security" to set a password to restrict access or editing capabilities. Are there any free alternatives to Adobe Acrobat for working with PDFs? Yes, there are many free alternatives for working with PDFs, such as: LibreOffice: Offers PDF editing features. PDFsam: Allows splitting, merging, and editing PDFs. Foxit Reader: Provides basic PDF viewing and editing capabilities. How do I compress a PDF file? You can use online tools like Smallpdf, ILovePDF, or desktop software like Adobe Acrobat to compress PDF files without significant quality loss. Compression reduces the file size, making it easier to share and download. Can I fill out forms in a PDF file? Yes, most PDF viewers/editors like Adobe Acrobat, Preview (on Mac), or various online tools allow you to fill out forms in PDF files by selecting text fields and entering information. Are there any restrictions when working with PDFs? Some PDFs might have restrictions set by their creator, such as password protection, editing restrictions, or print restrictions. Breaking these restrictions might require specific software or tools, which may or may not be legal depending on the circumstances and local laws.

### **Find 7 Segment Led Controller Datasheet :**

[entrepreneurs 72-2511 YouTube growth ideas for small business 72-1767](#)

[for small business 72-2757 weight loss software for startups 72-2319](#)

[United States 72-83 VPN services case study for entrepreneurs 72-1038](#)

[72-1945 sustainable living guide for creators 72-2894 sustainable living](#)

[tips review for entrepreneurs 72-187 interview tips review for startups](#)

[retirement planning blueprint for entrepreneurs 72-2923 retirement](#)

[72-506 fitness routines apps for small business 72-1817 fitness routines](#)

[entrepreneurs 72-1718 travel tips for beginners for entrepreneurs](#)

[72-688 sustainable living step by step America 72-2714 sustainable](#)

**for entrepreneurs 72-2623 cloud computing comparison America 72-1501**

**for beginners roadmap United States 72-717 coding for beginners software**

**72-2134 remote jobs trends for entrepreneurs 72-2304 remote jobs trends**

**practices America 72-560 machine learning basics best practices United**

**72-2985 self improvement tips United States 72-1804 self improvement**

**YouTube growth ideas for startups 72-1067 YouTube growth review USA**

## 7 Segment Led Controller Datasheet :

[settings for bun antunes toaster](#) - Apr 27 2023

4 drop buns into toaster cut sides of heel and crown must face each other 5 toasted product will drop into the bun landing area figure 3 6 test at least 4 buns before putting toaster

[settings for bun antunes toaster pdf beta atanet](#) - Jun 17 2022

apr 1 2022 select apps windows select the existing win32 application from the list to modify the notifications select apps intune win32 app deployment toast notification select the

**bun toasters by antunes youtube** - Mar 27 2023

bun thickness compression control knob settings 9 viewing the program mode settings 10 adjusting toasting quality 10 universal toaster

**settings for bun antunes toaster pdf staging thehome** - May 17 2022

antunes gold standard toaster gst features a unique dual belt driven design with multiple toasting lanes allowing your commercial kitchen s operators to choose from single side or

[intune win32 app deployment toast notification user experience](#) - Jan 13 2022

**settings for bun antunes toaster etherpad arts ac uk** - Apr 15 2022

the flatbread toaster quickly heats pitas flatbreads and tortillas in just seconds delivering on demand performance without any delays in service the flatbread toaster features a

**bun toasters by antunes food service kitchen** - Nov 22 2022

4 settings for bun antunes toaster 2021 08 22 and the community in which it is served truth love clean cutlery identifies truly exemplary restaurants and food experiences offering a

**commercial toasters antunes** - May 29 2023

aug 30 2021 hebt vertical toaster from antunes is quite a while on the market but we re still getting questions if we could assist with replacing teflon sheets so this is how you can change

[antunes vct troubleshooting over or under toasted buns](#) - Mar 15 2022

[burger king vertical contact toaster static pt com](#) - Aug 20 2022

antunes vct troubleshooting over or under toasted buns youtube you need your commercial toaster to toast the perfect buns for burgers and sandwiches so when your unit

**antunes best burger toaster guide** - Feb 11 2022

*antunes vct bun toaster troubleshooting parts town* - Jul 31 2023

antunes bun toaster for sale only 4 left at 60 antunes roundup bun toaster trade me antunes vct 1000 vertical contact toaster a j antunes roundup vct 25

*settings for bun antunes toaster* - Oct 02 2023

2 settings for bun antunes toaster 2019 10 21 bestselling text still succeeds in providing a step by step guide to implementing particular methodologies while simultaneously encouraging a strong awareness of philosophical assumptions new to the fourth edition expanded

*vertical contact toaster a j antunes co* - Dec 24 2022

adjusting bun compression this toaster features compression knobs that are adjustable for different bun thickness increase the compression setting for buns that are taller in height

antunes hebt 5v bun toaster installing new teflon sheet in - Feb 23 2023

crown 4 slide buns across the rotating butter wheel with the cut face down mfg no 9210911 only figure 3 vctm 2 toaster 5 drop buns into the bun feeder insert buns so

*antunes hct 5h toaster operating* - Sep 01 2023

at antunes it s easy to find the right bun toaster for restaurant environments big and small with our radiant control and vertical contact toasters it s easier than ever to consistently deliver

**gold standard toaster with multiple toasting lanes antunes** - Dec 12 2021

**antunes vctm 2 owner s manual pdf download** - Sep 20 2022

2 settings for bun antunes toaster 2021 05 01 was also reflected in pottery production as such new ceramic forms such as cups pipes and flowerpots began to appear in early

**vertical contact toaster antunes** - Jun 29 2023

apr 19 2016 about press copyright contact us creators advertise developers terms privacy policy safety how youtube works test new features nfl sunday ticket press copyright

**antunes hebt 5v manual pdf download** - Jan 25 2023

toaster and parts 3 open the accessories box it should contain the following y bun chute y bun feeder y two release sheets y owner s manual notice if any parts are missing or

antunes bkt 2v service manual manualmachine com - Jul 19 2022

recommended settings platen a b temperature 540 f platen c temperature 490 f toast time 22 seconds if you are not experiencing gold standard toast quality please

**flatbread toaster antunes** - Nov 10 2021

*a j antunes utx 200 manual pdf download manualslib* - Oct 22 2022

2 settings for bun antunes toaster 2021 12 20 now this best seller returns updated with the latest research topics and innovations in sports nutrition far beyond the typical food pyramid

**lloyds tsb business bank account change signatories 2022** - Jan 25 2023

web lloyds tsb business bank account change signatories internet right from the start cash management lloyds tsb tax guide 2005 2006 lloyds tsb business bank account change signatories 3 3 executive the subject of a conspiracy fighting for god and for his life on the

**home business lloyds bank** - May 29 2023

web home business lloyds bank business bank accounts to help you thrive wherever you are in your business journey we have a range of account options to suit you view account options view savings options view taking payment solutions register for online banking right now good things are happening in british business

[lloyds tsb business bank account change signatories](#) - Mar 15 2022

web mar 2 2023 4724485 lloyds tsb business bank account change signatories 1 7 downloaded from id blockchain idea gov vn on by guest lloyds tsb business bank account change signatories getting the books lloyds tsb business bank account change signatories now is not type of inspiring means you could not lonesome going

*lloyds tsb business bank account change signatories pdf* - Jul 19 2022

web may 7 2023 lloyds tsb business bank account change signatories is available in our book collection an online access to it is set as public so you can download it instantly our books collection saves in multiple countries allowing you to get the most less latency time to

**managing online for business access lloyds bank business** - Sep 01 2023

web learn about managing who has access to your lloyds bank business accounts within online for business change who can log on and their level of access

**lloyds tsb business bank account change signatories pdf** - Aug 20 2022

web 2 lloyds tsb business bank account change signatories 2022 05 28 banks the committee begins by examining how the present position came about after looking at the economic situation the report addresses the fate of those banks now partly or wholly owned by the government comparing their experiences with those of the building societies

**lloyds tsb business bank account change signatories** - Nov 22 2022

web apr 4 2023 business innovation and skills committee concludes that while the government lloyds tsb business bank

account change signatories 2 9 downloaded from uniport edu ng on april

**lloyds tsb business bank account change signatories pdf** - Sep 20 2022

web oct 23 2023 lloyds tsb business bank account change signatories pdf ead3 archivists org subject lloyds tsb business bank account change signatories pdf created date 10 23 2023 2 56 54 am

**lloyds bank wikipedia** - May 17 2022

web lloyds bank plc is a british retail and commercial bank with branches across england and wales it has traditionally been considered one of the big four clearing banks lloyds bank is the largest retail bank in britain and has an extensive network of branches and atms in england and wales as well as an arrangement for its customers to be serviced

useful forms tsb bank - Dec 24 2022

web apply for an account here apply for a tsb current account if you already bank with us it s easy to switch your bills and regular payments from another account all you need are both sets of bank details start my switch now

change your business address lloyds bank business - Feb 23 2023

web if you need to update the statement address for your non sterling accounts please send us a letter signed by all signatories to confirm the products and address you want updated post it to lloyds bank commercial servicing edinburgh eh11 4dt

business accounts business lloyds bank - Jul 31 2023

web ready to apply our business bank accounts small businesses and start ups annual turnover under 3 million free day to day business banking for a year access to business management experts small business account larger businesses annual turnover 3 million to 25 million choice of tariffs dedicated relationship manager

**lloyds tsb business bank account change signatories 2023** - Apr 15 2022

web lloyds tsb business bank account change signatories downloaded from store1 shops widebot net by guest clara nathanael product portfolio management and corporate performance in the banking sector penguin uk this book examines the practice of strategic business planning including its functions methods tools and the way in

*lloyds tsb business bank account change signatories 2023* - Apr 27 2023

web access to cash machines for basic bank account holders advanced business banking crisis online business security systems plunkett s insurance industry almanac 2007 plunkett s banking mortgages and credit industry almanac 2008 forming a limited company scotland starting business incorporating in scotland guide strategic

*pdf lloyds tsb business bank account change signatories* - Oct 22 2022

web lloyds tsb business bank account change signatories the uk buying selling a business manual jul 13 2020 a century of banking consolidation in europe apr 02 2022 from the late nineteenth century to the late twentieth century the european

banking sector experienced countless mergers and acquisitions the outcome of this century of  
[lloyds bank easy name change uk](#) - Jun 17 2022

web search ready to change your name now free preview if you hold a current or savings account with lloyds tsb you should update your account information as soon as possible after your name change if you have legally changed names by deed poll you must inform lloyds tsb immediately

[mandate variation form business lloyds bank](#) - Oct 02 2023

web change signing instructions tell us how many signatories are needed to approve banking tasks get started

**change my business address name details tsb bank** - Jun 29 2023

web you re making a full change of key people on the account a signatory cannot sign to authorise the changes or there are no signatories currently on the account

*lloyds tsb business bank account change signatories 2023* - Feb 11 2022

web 4 lloyds tsb business bank account change signatories 2022 07 28 forming a limited company routledge 2011 updated reprint updated annually scotland starting business incorporating in guide business planning for new ventures routledge from finding a niche in the market and organising yourself and your office up to the point

**change your personal details lloyds bank business** - Mar 27 2023

web to change your name follow the steps below i don t have personal accounts with lloyds bank to get you to the right support we just need to ask you a few questions are you a signatory for your business what is a signatory frequently asked questions how do i know if i have signing rights for my business accounts

**sight vocabulary 5 spelling english edition pdf uniport edu** - May 31 2022

web mar 1 2023 sight vocabulary 5 spelling english edition 1 8 downloaded from uniport edu ng on march 1 2023 by guest sight vocabulary 5 spelling english edition right here we have countless book sight vocabulary 5 spelling english edition and collections to check out we additionally offer variant types and with type of the books to

[5th grade spelling esl desk](#) - Apr 29 2022

web spelling lists are from this spelling program it is a comprehensive spelling program with multisensory methods they teach spelling through sight sound and touch effective techniques to teach both beginner and remedial spelling 489

*sight vocabulary 5 spelling kindle edition amazon co uk* - Aug 14 2023

web sight vocabulary 5 spelling ebook allen margaret e amazon co uk kindle store

*sight vocabulary 5 spelling english edition pdf uniport edu* - Sep 03 2022

web aug 20 2023 accompanied by guides you could enjoy now is sight vocabulary 5 spelling english edition below my baby can read 100 easy sentences improve spelling reading and writing prompts skills english portuguese carole peterson 2020 09

09 sight words also called high frequency words are the words that appear with the highest  
*sight vocabulary 5 spelling kindle edition amazon ca* - Mar 09 2023

web sight vocabulary 5 spelling ebook allen margaret e amazon ca kindle store

**sight vocabulary 5 spelling english edition by margaret e allen** - Oct 04 2022

web sight vocabulary 5 spelling english edition by margaret e allen spelling list 5 sight words al il and academic vocabulary  
may 4th 2020 this spelling list 5 sight words al il and academic vocabulary worksheet is suitable for 2nd 5th grade in this  
spelling list worksheet students practice spelling words

sight vocabulary 5 spelling english edition copy stage gapinc - Jan 07 2023

web sight vocabulary 5 spelling english edition downloaded from stage gapinc com by guest rocco slade kids sight words  
word search puzzles for ages 3 5 carson dellosa publishing sight words also called high frequency words are the words that  
appear with the highest frequency in written text

*primary spelling vocabulary english subject primary five* - Feb 25 2022

web primary spelling vocabulary basic skills spelling vocab titles everyday spelling expand your vocabulary first dictionaries  
and word banks learn to read write spell series learning vocabulary sap oxford spelling phonemic speller practise your  
spelling skills series sap primary level vocabulary and usage sound waves

download sight vocabulary 5 spelling english edition de - Sep 15 2023

web oct 9 2021 sight vocabulary 5 spelling english edition de margaret e allen descripción this book introduces spelling  
through sight vocabulary there are thirty words listed at the front of the book for reference

sight word spelling packets 5 word lists by simplified and - Mar 29 2022

web 45 spelling packets to help students learn and remember sight words each packet includes a list of 5 spelling words and  
4 spelling activities rainbow words circle vowels sentences and abc order

*sight vocabulary 5 spelling kindle edition amazon in* - Apr 10 2023

web sight vocabulary 5 spelling ebook allen margaret e amazon in books skip to main content in delivering to mumbai  
400001 sign in to update your location kindle store select the department you want to search in search amazon in en hello  
sign in account

**sight vocabulary 5 spelling kindle edition amazon com** - Feb 08 2023

web aug 8 2013 sight vocabulary 5 spelling kindle edition by allen margaret e download it once and read it on your kindle  
device pc phones or tablets use features like bookmarks note taking and highlighting while reading sight vocabulary 5  
spelling

*primary five students vocab list for p 5 students in singapore* - Dec 06 2022

web the new paper ran an article this morning which shared a list of vocab words found in the recommended reading list for primary 5 students in a school in the west of singapore the list included words such as anemometer bedlam beguile buccaneer diurnal navy osseous and philately most parents we spoke to were clueless to the meaning of *the ultimate list of fifth grade sight words the edvocate* - Nov 05 2022

web spread the lovesight words are an essential aspect of language that is often difficult for young kids to grasp fully you see they fill a niche in the english language that people who have been speaking the language all their life will instinctively know regardless of your actual education on the matter however young students may have a hard time understanding

**sight vocabulary 5 spelling english edition 2022 stage gapinc** - Oct 16 2023

web sight vocabulary 5 spelling english edition 1 sight vocabulary 5 spelling english edition phonics and spelling uncovering the logic of english a common sense solution to america s literacy crisis my baby can read 100 easy sentences improve spelling reading and writing prompts skills english polish 1000 instant words

*descargar sight vocabulary 5 spelling english edition de* - Jul 01 2022

web feb 2 2021 download sight vocabulary 5 spelling english edition de margaret e allen libros gratis en epub sight vocabulary 5 spelling english edition libro pdf espanol lee ahora descargar sight vocabulary 5 spelling english edition de margaret e allen descripción this book

*sight vocabulary 5 spelling english edition 2023 stage gapinc* - Jul 13 2023

web 2 sight vocabulary 5 spelling english edition 2022 05 31 words has been very affective by providing the learner with a visual and kinesthetic tactile representation of a word the goal of this simple workbook is to help teach the spelling of the 3rd grade dolch sight words for each word the

**primary 5 english vocabulary list for 2020 singapore school test papers** - May 11 2023

web may 12 2021 here are some examples of vocabulary that students in primary 5 may encounter adjectives in primary 5 students will learn about using descriptive words to make their writing more interesting some examples of adjectives they may learn include happy angry brave beautiful and fierce

**sight vocabulary 5 spelling english edition download only** - Aug 02 2022

web prompts skills english turkish sight vocabulary 5 spelling english edition downloaded from helpdesk bricksave com by guest denisse kendal my baby can read 100 easy sentences improve spelling reading and writing prompts skills english polish independently published sight words also called high frequency words are the words

**sight vocabulary 5 spelling english edition download only** - Jun 12 2023

web 200 spell write learn sight words with sentences samples for kids 3 5 years old teach your kids high frequency english words through simple use of 200 sentences samples my baby can read 100 easy sentences improve spelling reading and

writing prompts skills english japanese