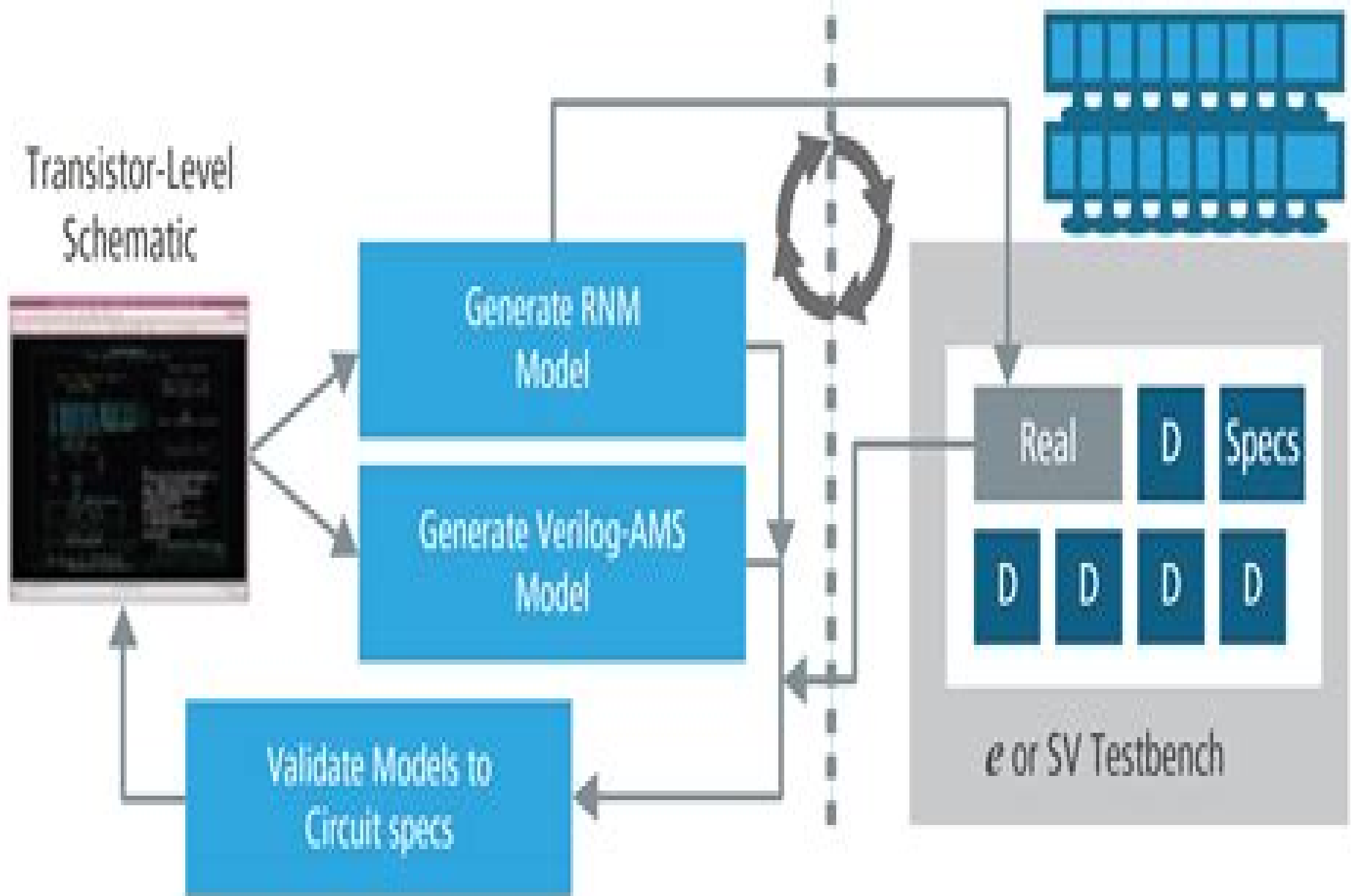


Analog Domain

Mixed-Signal Verification

Digital Domain



Chip Package Co Design Of Integrated Mixed Signal Systems

Xiang Xie



Chip Package Co Design Of Integrated Mixed Signal Systems:

Yeah, reviewing a book **Chip Package Co Design Of Integrated Mixed Signal Systems** could ensue your near links listings. This is just one of the solutions for you to be successful. As understood, expertise does not recommend that you have extraordinary points.

Comprehending as competently as contract even more than extra will pay for each success. adjacent to, the broadcast as competently as sharpness of this Chip Package Co Design Of Integrated Mixed Signal Systems can be taken as competently as picked to act.

https://py.bijouxmedusa.com/public/Resources/index.jsp/Cases_And_Active_Learning_Exercises_In_Management_Accounting.pdf

Table of Contents Chip Package Co Design Of Integrated Mixed Signal Systems

1. Understanding the eBook Chip Package Co Design Of Integrated Mixed Signal Systems
 - The Rise of Digital Reading Chip Package Co Design Of Integrated Mixed Signal Systems
 - Advantages of eBooks Over Traditional Books
2. Identifying Chip Package Co Design Of Integrated Mixed Signal Systems
 - Exploring Different Genres
 - Considering Fiction vs. Non-Fiction
 - Determining Your Reading Goals
3. Choosing the Right eBook Platform
 - Popular eBook Platforms
 - Features to Look for in an Chip Package Co Design Of Integrated Mixed Signal Systems
 - User-Friendly Interface
4. Exploring eBook Recommendations from Chip Package Co Design Of Integrated Mixed Signal Systems
 - Personalized Recommendations
 - Chip Package Co Design Of Integrated Mixed Signal Systems User Reviews and Ratings
 - Chip Package Co Design Of Integrated Mixed Signal Systems and Bestseller Lists

5. Accessing Chip Package Co Design Of Integrated Mixed Signal Systems Free and Paid eBooks
 - Chip Package Co Design Of Integrated Mixed Signal Systems Public Domain eBooks
 - Chip Package Co Design Of Integrated Mixed Signal Systems eBook Subscription Services
 - Chip Package Co Design Of Integrated Mixed Signal Systems Budget-Friendly Options
6. Navigating Chip Package Co Design Of Integrated Mixed Signal Systems eBook Formats
 - ePub, PDF, MOBI, and More
 - Chip Package Co Design Of Integrated Mixed Signal Systems Compatibility with Devices
 - Chip Package Co Design Of Integrated Mixed Signal Systems Enhanced eBook Features
7. Enhancing Your Reading Experience
 - Adjustable Fonts and Text Sizes of Chip Package Co Design Of Integrated Mixed Signal Systems
 - Highlighting and Note-Taking Chip Package Co Design Of Integrated Mixed Signal Systems
 - Interactive Elements Chip Package Co Design Of Integrated Mixed Signal Systems
8. Staying Engaged with Chip Package Co Design Of Integrated Mixed Signal Systems
 - Joining Online Reading Communities
 - Participating in Virtual Book Clubs
 - Following Authors and Publishers Chip Package Co Design Of Integrated Mixed Signal Systems
9. Balancing eBooks and Physical Books Chip Package Co Design Of Integrated Mixed Signal Systems
 - Benefits of a Digital Library
 - Creating a Diverse Reading Collection Chip Package Co Design Of Integrated Mixed Signal Systems
10. Overcoming Reading Challenges
 - Dealing with Digital Eye Strain
 - Minimizing Distractions
 - Managing Screen Time
11. Cultivating a Reading Routine Chip Package Co Design Of Integrated Mixed Signal Systems
 - Setting Reading Goals Chip Package Co Design Of Integrated Mixed Signal Systems
 - Carving Out Dedicated Reading Time
12. Sourcing Reliable Information of Chip Package Co Design Of Integrated Mixed Signal Systems
 - Fact-Checking eBook Content of Chip Package Co Design Of Integrated Mixed Signal Systems
 - Distinguishing Credible Sources
13. Promoting Lifelong Learning

- Utilizing eBooks for Skill Development
 - Exploring Educational eBooks
14. Embracing eBook Trends
- Integration of Multimedia Elements
 - Interactive and Gamified eBooks

Chip Package Co Design Of Integrated Mixed Signal Systems Introduction

Chip Package Co Design Of Integrated Mixed Signal Systems Offers over 60,000 free eBooks, including many classics that are in the public domain. Open Library: Provides access to over 1 million free eBooks, including classic literature and contemporary works. Chip Package Co Design Of Integrated Mixed Signal Systems Offers a vast collection of books, some of which are available for free as PDF downloads, particularly older books in the public domain. Chip Package Co Design Of Integrated Mixed Signal Systems : This website hosts a vast collection of scientific articles, books, and textbooks. While it operates in a legal gray area due to copyright issues, its a popular resource for finding various publications. Internet Archive for Chip Package Co Design Of Integrated Mixed Signal Systems : Has an extensive collection of digital content, including books, articles, videos, and more. It has a massive library of free downloadable books. Free-eBooks Chip Package Co Design Of Integrated Mixed Signal Systems Offers a diverse range of free eBooks across various genres. Chip Package Co Design Of Integrated Mixed Signal Systems Focuses mainly on educational books, textbooks, and business books. It offers free PDF downloads for educational purposes. Chip Package Co Design Of Integrated Mixed Signal Systems Provides a large selection of free eBooks in different genres, which are available for download in various formats, including PDF. Finding specific Chip Package Co Design Of Integrated Mixed Signal Systems, especially related to Chip Package Co Design Of Integrated Mixed Signal Systems, might be challenging as theyre often artistic creations rather than practical blueprints. However, you can explore the following steps to search for or create your own Online Searches: Look for websites, forums, or blogs dedicated to Chip Package Co Design Of Integrated Mixed Signal Systems, Sometimes enthusiasts share their designs or concepts in PDF format. Books and Magazines Some Chip Package Co Design Of Integrated Mixed Signal Systems books or magazines might include. Look for these in online stores or libraries. Remember that while Chip Package Co Design Of Integrated Mixed Signal Systems, sharing copyrighted material without permission is not legal. Always ensure youre either creating your own or obtaining them from legitimate sources that allow sharing and downloading. Library Check if your local library offers eBook lending services. Many libraries have digital catalogs where you can borrow Chip Package Co Design Of Integrated Mixed Signal Systems eBooks for free, including popular titles. Online Retailers: Websites like Amazon, Google Books, or Apple Books often sell eBooks. Sometimes, authors or publishers offer promotions or free periods for certain books. Authors

Website Occasionally, authors provide excerpts or short stories for free on their websites. While this might not be the Chip Package Co Design Of Integrated Mixed Signal Systems full book , it can give you a taste of the authors writing style. Subscription Services Platforms like Kindle Unlimited or Scribd offer subscription-based access to a wide range of Chip Package Co Design Of Integrated Mixed Signal Systems eBooks, including some popular titles.

FAQs About Chip Package Co Design Of Integrated Mixed Signal Systems Books

What is a Chip Package Co Design Of Integrated Mixed Signal Systems PDF? A PDF (Portable Document Format) is a file format developed by Adobe that preserves the layout and formatting of a document, regardless of the software, hardware, or operating system used to view or print it. **How do I create a Chip Package Co Design Of Integrated Mixed Signal Systems PDF?** There are several ways to create a PDF: Use software like Adobe Acrobat, Microsoft Word, or Google Docs, which often have built-in PDF creation tools. Print to PDF: Many applications and operating systems have a "Print to PDF" option that allows you to save a document as a PDF file instead of printing it on paper. Online converters: There are various online tools that can convert different file types to PDF. **How do I edit a Chip Package Co Design Of Integrated Mixed Signal Systems PDF?** Editing a PDF can be done with software like Adobe Acrobat, which allows direct editing of text, images, and other elements within the PDF. Some free tools, like PDFescape or Smallpdf, also offer basic editing capabilities. **How do I convert a Chip Package Co Design Of Integrated Mixed Signal Systems PDF to another file format?** There are multiple ways to convert a PDF to another format: Use online converters like Smallpdf, Zamzar, or Adobe Acrobats export feature to convert PDFs to formats like Word, Excel, JPEG, etc. Software like Adobe Acrobat, Microsoft Word, or other PDF editors may have options to export or save PDFs in different formats. **How do I password-protect a Chip Package Co Design Of Integrated Mixed Signal Systems PDF?** Most PDF editing software allows you to add password protection. In Adobe Acrobat, for instance, you can go to "File" -> "Properties" -> "Security" to set a password to restrict access or editing capabilities. Are there any free alternatives to Adobe Acrobat for working with PDFs? Yes, there are many free alternatives for working with PDFs, such as: LibreOffice: Offers PDF editing features. PDFsam: Allows splitting, merging, and editing PDFs. Foxit Reader: Provides basic PDF viewing and editing capabilities. How do I compress a PDF file? You can use online tools like Smallpdf, ILovePDF, or desktop software like Adobe Acrobat to compress PDF files without significant quality loss. Compression reduces the file size, making it easier to share and download. Can I fill out forms in a PDF file? Yes, most PDF viewers/editors like Adobe Acrobat, Preview (on Mac), or various online tools allow you to fill out forms in PDF files by selecting text fields and entering information. Are there any restrictions when working with PDFs? Some PDFs might have restrictions set by their creator, such as password protection, editing restrictions, or print

restrictions. Breaking these restrictions might require specific software or tools, which may or may not be legal depending on the circumstances and local laws.

Find Chip Package Co Design Of Integrated Mixed Signal Systems :

cases and active learning exercises in managerial accounting

chapter 11 chemical reactions practice problems answers

chapter 10 energy work and simple machines answers

celiachia e dieta mediterranea senza glutine home facebook

cello making step by step

chapter 14 long term liabilities brief exercise

chapter 14 the digestive system and body metabolism coloring workbook

catchy names for after school program

celpip general reading

ccna study todd lammle 7th edition

cerita khusus dewasa cerita khusus dewasa 18 tahun

case study leicester adult skills learning service

chapter 13 lab from dna to protein synthesis answers

chapter 15 endocarditis 123 sonography

change of address contact details ocbc bank

Chip Package Co Design Of Integrated Mixed Signal Systems :

dollarizing differentiation value a practical gui - Jul 01 2022

web dollarizing differentiation value a practical gui 1 right here we have countless book dollarizing differentiation value a practical gui and collections to check out we

dollarizing differentiation value a practical gui pdf free static - Apr 29 2022

web title dollarizing differentiation value a practical gui pdf free static diabetesselfmanagement com created date 9 7 2023 2 51 36 pm

dollarizing differentiation value a practical gui - Dec 06 2022

web 2 dollarizing differentiation value a practical gui 2019 07 08 world of economics comes alive as the book unfolds like a

mystery novel full of colorful and determined people

dollarizing differentiation value a practical gui uniport edu - Aug 02 2022

web aug 24 2023 this dollarizing differentiation value a practical gui but end up in malicious downloads rather than enjoying a good book with a cup of coffee in the afternoon

dollarization what is it advantages disadvantages - Jan 27 2022

web dollarization explained currently the world is running on a fiat money fiat money fiat money is a currency that is declared by the government to be legal tender and has no

dollarizing differentiation value a practical guide for the - Aug 14 2023

web aug 2 2016 dollarizing differentiation value a practical guide for the quantification and the capture of customer value
lio zu stephan m 9781945815003 amazon com books books

dollarizing differentiation value a practical guide for the - Jul 13 2023

web capture of customer value by stephan m lio zu dollarizing differentiation value a practical guide for the pricing journey
stephan m lio zu bok 9780804788748

dollarizing differentiation value a practical guide for the - Jun 12 2023

web sep 5 2016 now is the time to answer that value question so well and so completely that your organizati dollarizing differentiation value a practical guide for the

dollarizing differentiation value a practical gui pdf pdf - Feb 08 2023

web dollarizing differentiation value a practical gui pdf that you are looking for it will utterly squander the time however below when you visit this web page it will be so

dollarizing differentiation value by stephan m lio zu scribd - May 11 2023

web aug 25 2016 dollarizing differentiation value a practical guide for the quantification and the capture of customer value show full title

dollarizing differentiation value a practical gui - Sep 03 2022

web we meet the expense of dollarizing differentiation value a practical gui and numerous book collections from fictions to scientific research in any way in the course of them is

dollarization english meaning cambridge dictionary - Dec 26 2021

web dollarization definition 1 the act or process of replacing a country s currency money with us dollars 2 the act or learn more

dollarizing differentiation value a practical gui - Jan 07 2023

web dollarizing differentiation value a practical gui 5 5 time or try to convince others to part with their money or their time

price is the place where value and money meet from the

dollarizingdifferentiationvalueapracticalgui copy info novavision - May 31 2022

web now is the time to answer that value question so well and so completely that your organization thrives the biggest winners in the 21st century will have value based

dollarizing differentiation value a practical gui - Oct 04 2022

web dollarizing differentiation value a practical gui downloaded from vempravia com br by guest cortez huffman financial policies and the world capital market international

dollarizing differentiation value a practical guide for the - Oct 24 2021

web value a practical dollarizing differentiation value a practical guide for 7 must read books for any pricing professional priceedge stephan m liozu 7 books available chapters

dollarizing differentiation value a practical guide for the ebay - Apr 10 2023

web item 5 dollarizing differentiation value a practical guide for the quantification and dollarizing differentiation value a practical guide for the quantification and 10 95

dollarization definition impact example investopedia - Feb 25 2022

web jul 18 2022 dollarization is a situation where a country either officially or unofficially uses a different country s currency as legal tender for conducting transactions the main

dollarizing differentiation value a practical gui pdf uniport edu - Sep 22 2021

web mar 26 2023 dollarizing differentiation value a practical gui 1 11 downloaded from uniport edu ng on march 26 2023 by guest dollarizing differentiation value a

dollarizing differentiation value a practical gui lars ljungqvist - Mar 09 2023

web kindly say the dollarizing differentiation value a practical gui is universally compatible with any devices to read innovation in pricing andreas hinterhuber 2013 05 07 pricing

dollarizing differentiation value a practical guide for the - Nov 05 2022

web dollarizing differentiation value a practical guide for the quantification and the capture of customer value by stephan m liozu is a prosci certified change manager

dollarizingdifferentiationvalueapracticalgui copy logs erpNext - Mar 29 2022

web knowledge from practical and scientific resources the book can be used as a practical guide to learn about csm process and the roles necessary capabilities and

dollarization definition meaning merriam webster - Nov 24 2021

web oct 27 2021 dollarization noun the adoption of the u s dollar as a country s official national currency

keeping up with the joneses comics wikipedia - Jun 13 2023

web keeping up with the joneses was an american gag a day comic strip by pop momand that ran from march 31 1913 to april 16 1938 it depicts the mcginis family aloysius clarice their daughter julie and their housekeeper bella donna who struggle to keep up with the lifestyle of their neighbors the unseen joneses

keeping it up with the joneses by n s johnson goodreads - Oct 05 2022

web sep 1 2017 it s because mrs jones tips the gardeners with her cookies the mail is never late or damaged because the delivery guy gets to slip his package right into her slot mr jones is the breadwinner and he often brings work home to spend the night

keeping up with the joneses 2016 imdb - Feb 09 2023

web oct 21 2016 keeping up with the joneses directed by greg mottola with zach galifianakis isla fisher jon hamm gal gadot a suburban couple becomes embroiled in an international espionage plot when they discover that their seemingly perfect new neighbors are government spies

keeping up with the joneses and the kardashians positional - Jan 28 2022

web jun 18 2020 halliday daniel and john thrasher keeping up with the joneses and the kardashians positional goods and wars of all against all the ethics of capitalism new york 2020 online edn oxford academic 18 june 2020 doi org 10 1093 oso 9780190096205 003 0009 accessed 10 sept 2023

keeping it up with joneses jab copy uniport edu - Dec 27 2021

web written for anyone longing for a more generative and loving god this book offers a new paradigm through which faith can be understood this boundary breaking god engages life at every corner social economical political intellectual ecological offers a refreshing view of god that is creative and expansive

keeping it up with joneses jab mediafiretrend com - Apr 30 2022

web keeping it up with joneses jab type what you are looking for in the box bellow hit search and download it from mediafire com 5000 results found page 1 from 200 for keeping it up with joneses jab keeping it up with joneses 4 rész 22 99 mb keeping it up with joneses 4 rész

keeping up with the joneses wikipedia - Apr 11 2023

web keeping up with the joneses is an idiom in many parts of the english speaking world referring to the comparison to one s neighbor as a benchmark for social class or the accumulation of material goods to fail to keep up with the joneses is perceived as demonstrating socio economic or cultural inferiority

keeping up with the joneses ۰۰۰۰ fushaar - Jun 01 2022

web ۰۰۰ keeping up with the joneses 2016 ۰۰۰۰۰۰۰ ۰۰ ۰ ۰۰۰۰ ۰۰۰ ۰۰۰۰۰۰۰ ۰۰۰۰۰ ۰۰۰۰ ۰۰۰۰ ۰۰۰ ۰۰۰۰ ۰۰۰ ۰۰۰۰۰۰۰ ۰۰۰۰ ۰۰۰۰۰۰

keeping it up with the joneses 6 at free jab comics - May 12 2023

[keeping it up with the joneses 6 at free jab comics](#) - May 12 2023

web keeping it up with the joneses 6 just wait til we get inside by jabcomix at free jab comics 4 images

[keeping up with the joneses tv mini series 2021 imdb](#) - Mar 10 2023

web edit after the death of patriarch theodore jones his second wife robin assumed control of the family business but now theodore s daughters robin s step children are coming into their own but now someone is coming after the family trying to beat them at their own game using threats blackmail and even murder whomever it is will stop

keeping up with the joneses the bad habit that costs you - Mar 30 2022

web jul 2 2023 keeping up with the joneses is an idiom that originated in a comic strip in the early 1900s and represents comparing your peers or neighbors as a benchmark for what ou goods and lifestyle upgrades you should have if you aren t keeping up then you are being left

[keeping up with the joneses meet parental guilt substack](#) - Feb 26 2022

web nov 14 2021 i live in a place that pushes the jab to be specific i live in a place where lay people do the work of big pharma and the government of socially pushing the jab over the last few months every single neighbor on our block has inquired about the vaccine status of our kids and has done so more than once

[keeping it up with the joneses full comic jab](#) - Jul 02 2022

web free jab comics keeping up with the joneses july 7jabcomix keeping it up with the joneses 2 complete full download free adult porn sex xxx hentai comics jkr comix jab comix john persons poonnet comics milftoon this list is automatically generated from a torrent file which is simply metadata for the bittorrent protocol

keeping up with the joneses film wikipedia - Dec 07 2022

web keeping up with the joneses is a 2016 american action comedy film directed by greg mottola and distributed by 20th century fox it was written by michael lesieur its story follows a suburban couple zach galifianakis and isla fisher who begin to suspect their new neighbors jon hamm and gal gadot are secret agents production began in the united

keeping it up with the joneses 6 at free jab comics - Aug 15 2023

web keeping it up with the joneses 6 it s all true by jab stop beating around the bush spending your time on low quality comics replicas stop mocking at yourself behold the special for our regular visitors only take this chance to please yourself with exclusive constantly updated full comics collections

loading interface goodreads - Aug 03 2022

web discover and share books you love on goodreads

keeping up with the joneses jab isla fisher pdf harvard - Nov 06 2022

web keeping up with the joneses jab getting the books keeping up with the joneses jab now is not type of inspiring means you could not abandoned going when book accretion or library or borrowing from your links to approach them this is an unquestionably simple means to specifically acquire guide by on line this online proclamation keeping

[jabcomix homework 2 page 11 8muses forums](#) - Sep 04 2022

web mar 7 2023 keeping it up with the joneses should continue the plot about the husband and mom son incest is interesting

keeping it up with the joneses series by n s johnson goodreads - Jan 08 2023

web receiving the delivery guy s package by n s johnson 3 74 23 ratings 5 reviews 2 editions the last delivery of the night is way off calvin s want to read

keeping it up with the joneses 5 at free jab comics - Jul 14 2023

web keeping it up with the joneses 5 i need to finish my route by jabcomix at free jab comics 4 images

[website n1 questions mathematics 24 minute](#) - Jan 08 2023

web november examination national certificate mathematics n1 16030121 21 november 2016 x paper 09 00 12 00

requirements graph paper scientific calculators may be used this question paper consists of

mathematics n1 august 2021 exam paper review 24 minute - Dec 07 2022

web sep 6 2021 the mathematics august 2021 question paper consisted of six pages and a formula sheet of two pages and it s out of 100 marks question 1 question 1 was divided in three subsections and these are the subsections 1 1 to 1 3 question 1 1 was further divided into sub sub sections of 1 1 1 and 1 1 2

[mathematics n1 july exam 2020 question 1 part 1 youtube](#) - Mar 30 2022

web this is a mathematics n1 question paper july 2020 final exam are you preparing for your mathematics n1 final exam and you want to use past papers as revision then this might be of help to you

mathematics n1 maths past papers study guides and notes - Jul 14 2023

web may 30 2022 find mathematics n1 previous exam question papers with memorandums for answers 2022 2021 2020 2019 and more prescribed textbooks and study guides most of the resources are in pdf format for easy download

full paper august 2021 mathematics n1 final exam - Apr 30 2022

web apr 1 2023 24 minute lessons 34 5k subscribers join subscribe 113 9 5k views 1 year ago mathematics n1 get a full paper of mathematics n1 exam that was written in august 2021 in this video i

[free mathematics n1 question memo download studocu](#) - Oct 05 2022

web requirements graph paper scientific calculators may be used this question paper consists of 6 pages and a formula sheet of 2 pages 16030121 3 t850 e n21 t copyright reserved please turn over question 1 1 given 457 2 xx use the above equation

to complete the following sentences 1 1 the expression has terms

free mathematics n1 question memo download studocu - Jun 01 2022

web you should you need more question papers and their memos please send us an email to info previouspapers co and we will send you a full download version of these though a full download comes at a cost alternatively you can purchase them online from our

past exam paper memo n1 engineering n1 n6 past papers - Mar 10 2023

web national certificate mathematics n1 16030121 1 april 2016 x paper 09 00 12 00 nonprogrammable scientific calculators and graph paper may be used this question paper consists of 7 pages and 1 formula sheet of 2 pages department of higher education and training republic of south africa

n1 question papers and memorandums with study guides pdf - Aug 03 2022

web on this page you will find n1 past papers and study resources for all subjects notes study guides textbooks previous question papers and memos for tvet

n1 mathematics questions and answers pdf pdffiller - Feb 09 2023

web 01 start by carefully reading each question and understanding what is being asked 02 break down the question into smaller parts if necessary and try to identify the key concepts or formulas that may be relevant 03

mathematics tvetpapers co za - May 12 2023

web download mathematics previous question papers our apps download mathematics past exam papers and memos from 2005 to 2020 mathematics n1 2020 april qp memo august qp 2019 april qp memo august

n1 mathematics vhembe tvet college - Nov 06 2022

web nov 1 2005 mathematics n1 y paper aug 2015 mathematics n1 apr 2006 mathematics n1 apr 2012 mathematics n1 apr 2013 mathematics n1 aug 2012 mathematics n1 memo aug 2016 mathematics n1 nov 2005 mathematics n1 qp aug 2016 mathematics n1 x paper nov 2011

mathematics past exam papers and memos mytvvet - Apr 11 2023

web mathematics n1 n6 past exam papers and memos from the year 2015 to the latest paper n1 n2 n3 n4 n5 n6 2023 new

past exam paper memo n1 24 minute - Dec 27 2021

web mathematics n1 16030121 21 november 2016 x paper 09 00 12 00 requirements graph paper scientific calculators may be used this question paper consists of 6 pages and a formula sheet of 2 pages department of higher education and training republic of south africa national

maths n1 past question papers papers exam blogger - Sep 04 2022

web jul 19 2021 the mathematics n1 question paper that was supposed to be written in april 2020 exams was postponed and

written in july 2020 due to covid 19 pandemic in overall the exam paper was a fair paper with a number of questions repeated from previous papers volume ½b h l cube register for technical matric n3 in 2019

n1 mathematics past papers memorandums n1 nated - Jun 13 2023

web jun 1 2023 mathematics n1 november 2022 question paper pdf 473 4 kb mathematics n1 november 2022 memorandum pdf 392 1 kb 2021 n1 mathematics april 2021 memorandum pdf 376 8 kb n1 mathematics august 2021 pdf 317 8 kb n1 mathematics august 2021 memorandum pdf 361 6 kb 2020 2019 n1 mathematics

tvvet n1 mathematics apps on google play - Aug 15 2023

web aug 19 2023 1k downloads everyone info install about this app arrow forward no data needed to view question papers and memorandums tvvet n1 mathematics offline app offers students with question

mathematics n1 nated - Jan 28 2022

web apr 1 2004 nated past papers and memos electrical trade theory electrotechnics engineering drawing engineering science n1 n2 engineering science n3 n4 fitting and machining theory fluid mechanics industrial electronics n1 n2 mathematics n1 april 2005 m mathematics n1 nov 2004 q

n1 mathematics exam question paper no erciyuanore - Feb 26 2022

web 2 n1 mathematics exam question paper no erciyuanore 2021 07 24 prepare for your exam n1 mathematics exam question paper mathematics n1 nated question paper and marking guidelines downloading section apply filter mathematics n1 memo nov 2019 1 file s 290 81 kb download mathematics n1 qp nov 2019 1 file s

latest mathematics n1 31 january 2022 final exam paper and youtube - Jul 02 2022

web jan 31 2022 51 4 8k views 1 year ago in this video i take a look at the question paper for mathematics n1 that was written on the 31st january 2022 the video gives a review of the paper and how you