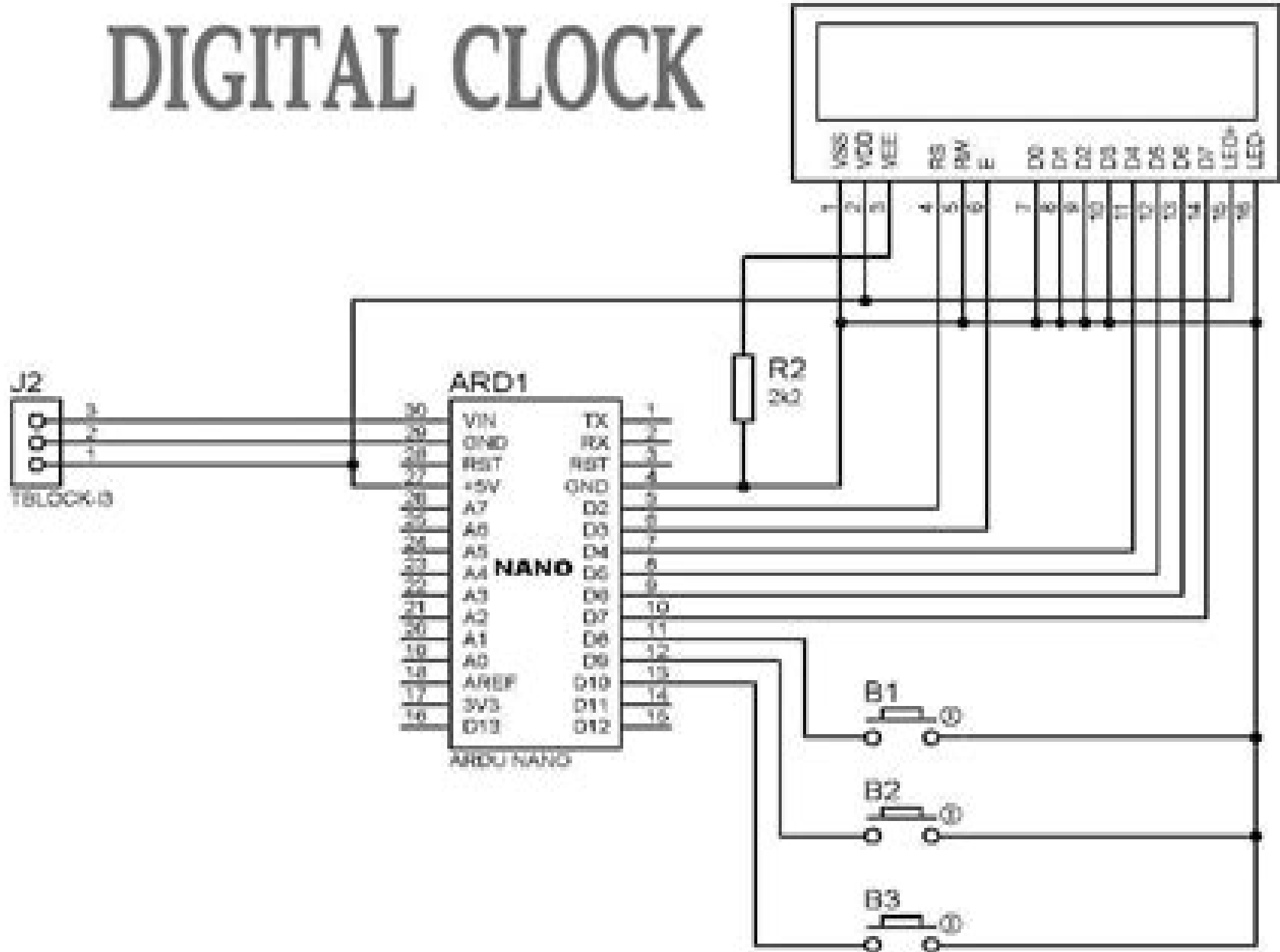


DIGITAL CLOCK

LCD1
LCD 16X2



Clock Schematic User Guide

Istvan Nagy



Clock Schematic User Guide:

PlanePlotter User Guide Lionel K. Anderson Msc,2011-10-10 This is a comprehensive user guide for the PlanePlotter virtual radar software program that receives and decodes live digital position reports from aircraft and plots their positions and movements on air traffic control type charts PlanePlotter provides a radar like display of not only local aircraft but aircraft around the world that are transmitting the digital messages in the ACARS ADS B and HFDL formats PlanePlotter plots aircraft positions altitudes and times decoded from the message traffic that it receives including embedded position reports AMDAR reports and ADS reports contained in ACARS messages and ADS B position reports received by a variety of virtual radar boxes including the Kinetic Avionic s SBS1 tm AirNav System s RadarBox tm the PlaneGadget Radar and the Mode S Beast virtual radar receivers The book has some 300 pages and includes 200 illustrations and diagrams The latest edition covers the functions of Multilateration Beamfinder and Conditional Expressions **CRASH3 User's Guide and Technical Manual** ,1981 [The Hardware Hacking Handbook](#) Jasper van Woudenberg,Colin O'Flynn,2021-12-21 The Hardware Hacking Handbook takes you deep inside embedded devices to show how different kinds of attacks work then guides you through each hack on real hardware Embedded devices are chip size microcomputers small enough to be included in the structure of the object they control and they re everywhere in phones cars credit cards laptops medical equipment even critical infrastructure This means understanding their security is critical The Hardware Hacking Handbook takes you deep inside different types of embedded systems revealing the designs components security limits and reverse engineering challenges you need to know for executing effective hardware attacks Written with wit and infused with hands on lab experiments this handbook puts you in the role of an attacker interested in breaking security to do good Starting with a crash course on the architecture of embedded devices threat modeling and attack trees you ll go on to explore hardware interfaces ports and communication protocols electrical signaling tips for analyzing firmware images and more Along the way you ll use a home testing lab to perform fault injection side channel SCA and simple and differential power analysis SPA DPA attacks on a variety of real devices such as a crypto wallet The authors also share insights into real life attacks on embedded systems including Sony s PlayStation 3 the Xbox 360 and Philips Hue lights and provide an appendix of the equipment needed for your hardware hacking lab like a multimeter and an oscilloscope with options for every type of budget You ll learn How to model security threats using attacker profiles assets objectives and countermeasures Electrical basics that will help you understand communication interfaces signaling and measurement How to identify injection points for executing clock voltage electromagnetic laser and body biasing fault attacks as well as practical injection tips How to use timing and power analysis attacks to extract passwords and cryptographic keys Techniques for leveling up both simple and differential power analysis from practical measurement tips to filtering processing and visualization Whether you re an industry engineer tasked with understanding these attacks a student starting out in the field or an electronics hobbyist curious about

replicating existing work The Hardware Hacking Handbook is an indispensable resource one you'll always want to have onhand

Complex Digital Hardware Design Istvan Nagy, 2024-05-09 This book is about how to design the most complex types of digital circuit boards used inside servers routers and other equipment from high level system architecture down to the low level signal integrity concepts It explains common structures and subsystems that can be expanded into new designs in different markets The book is targeted at all levels of hardware engineers There are shorter lower level introductions to every topic while the book also takes the reader all the way to the most complex and most advanced topics of digital circuit design layout design analysis and hardware architecture

Analog Circuit Design Bob Dobkin, Jim Williams, 2011-09-26 Analog circuit and system design today is more essential than ever before With the growth of digital systems wireless communications complex industrial and automotive systems designers are challenged to develop sophisticated analog solutions This comprehensive source book of circuit design solutions will aid systems designers with elegant and practical design techniques that focus on common circuit design challenges The book's in depth application examples provide insight into circuit design and application solutions that you can apply in today's demanding designs Covers the fundamentals of linear analog circuit and system design to guide engineers with their design challenges Based on the Application Notes of Linear Technology the foremost designer of high performance analog products readers will gain practical insights into design techniques and practice Broad range of topics including power management tutorials switching regulator design linear regulator design data conversion signal conditioning and high frequency RF design Contributors include the leading lights in analog design Robert Dobkin Jim Williams and Carl Nelson among others

CMOS Analog Circuit Design Phillip E. Allen, Douglas R. Holberg, 2011 A textbook for 4th year undergraduate first year graduate electrical engineering students

CEBus Demystified: The ANSI/EIA 600 User's Guide Grayson Evans, 2001-03-22 GET THE EDGE WITH NETWORKS AND PRODUCTS FOR SMART HOMES Get all the tools you need to work with the CEBus Consumer Electronics Bus standard in one handy resource CEBus Demystified ANSI EIA 600 User's Guide by Grayson Evans walks you through every step required to create residential products that can talk to each other and allow their owners to talk to them using the latest ANSI EIA 600 communications and cabling standard for home automation and residential consumer products This unique guide provides you with a complete explanation of HPnP Home Plug Play and shows you how to Ride the convergence curve with trend setting residential networks product designs and interoperability Build a CEBus compliant product that incorporates smartness into homes and products with features that meet tomorrow's needs Use and interpret CAL Common Application Language with step by step guidance examples and reference material not found in the specification

MicroSim PSpice and Circuit Analysis John Keown, 1998 This simple easy to follow guide is designed to be accessible to anyone with a familiarity of basic electrical knowledge

Graphics One Terminal Design and User's Manual Bruce A. Artwick, Alfred D. Whaley, 1976

The National Guide to Educational Credit for Training Programs American Council on Education, 2005

Highlights over 6 000 educational programs offered by business labor unions schools training suppliers professional and voluntary associations and government agencies

The Elements of Electrical Engineering William Suddards Franklin,William Esty,1908 Batcheller Collection

Computers in Education Journal ,1994 *Alternating current* William Suddards Franklin,William Esty,1919

Alternating currents William Suddards Franklin,William Esty,1914

Microcomputer Systems Theory and Service Charles J. Brooks,1996-09

Radio-electronics ,1987 **Electronics Now** ,1999

Quality Control and Applied Statistics ,1976 *Byte* ,1985 *16-bit Embedded Controller Handbook* Intel Corporation,1990

Eventually, you will unconditionally discover a supplementary experience and feat by spending more cash. still when? realize you put up with that you require to acquire those all needs with having significantly cash? Why dont you try to get something basic in the beginning? Thats something that will guide you to comprehend even more not far off from the globe, experience, some places, next history, amusement, and a lot more?

It is your certainly own epoch to comport yourself reviewing habit. along with guides you could enjoy now is **Clock Schematic User Guide** below.

<https://py.bijouxmedusa.com/About/scholarship/default.aspx/8%202081%20Dropshipping%20Business%20Roadmap%20USA%208%202671%20Dropshipping%20Business.pdf>

Table of Contents Clock Schematic User Guide

1. Understanding the eBook Clock Schematic User Guide
 - The Rise of Digital Reading Clock Schematic User Guide
 - Advantages of eBooks Over Traditional Books
2. Identifying Clock Schematic User Guide
 - Exploring Different Genres
 - Considering Fiction vs. Non-Fiction
 - Determining Your Reading Goals
3. Choosing the Right eBook Platform
 - Popular eBook Platforms
 - Features to Look for in an Clock Schematic User Guide
 - User-Friendly Interface
4. Exploring eBook Recommendations from Clock Schematic User Guide
 - Personalized Recommendations
 - Clock Schematic User Guide User Reviews and Ratings
 - Clock Schematic User Guide and Bestseller Lists

5. Accessing Clock Schematic User Guide Free and Paid eBooks
 - Clock Schematic User Guide Public Domain eBooks
 - Clock Schematic User Guide eBook Subscription Services
 - Clock Schematic User Guide Budget-Friendly Options
6. Navigating Clock Schematic User Guide eBook Formats
 - ePub, PDF, MOBI, and More
 - Clock Schematic User Guide Compatibility with Devices
 - Clock Schematic User Guide Enhanced eBook Features
7. Enhancing Your Reading Experience
 - Adjustable Fonts and Text Sizes of Clock Schematic User Guide
 - Highlighting and Note-Taking Clock Schematic User Guide
 - Interactive Elements Clock Schematic User Guide
8. Staying Engaged with Clock Schematic User Guide
 - Joining Online Reading Communities
 - Participating in Virtual Book Clubs
 - Following Authors and Publishers Clock Schematic User Guide
9. Balancing eBooks and Physical Books Clock Schematic User Guide
 - Benefits of a Digital Library
 - Creating a Diverse Reading Collection Clock Schematic User Guide
10. Overcoming Reading Challenges
 - Dealing with Digital Eye Strain
 - Minimizing Distractions
 - Managing Screen Time
11. Cultivating a Reading Routine Clock Schematic User Guide
 - Setting Reading Goals Clock Schematic User Guide
 - Carving Out Dedicated Reading Time
12. Sourcing Reliable Information of Clock Schematic User Guide
 - Fact-Checking eBook Content of Clock Schematic User Guide
 - Distinguishing Credible Sources
13. Promoting Lifelong Learning

- Utilizing eBooks for Skill Development
 - Exploring Educational eBooks
14. Embracing eBook Trends
- Integration of Multimedia Elements
 - Interactive and Gamified eBooks

Clock Schematic User Guide Introduction

In this digital age, the convenience of accessing information at our fingertips has become a necessity. Whether its research papers, eBooks, or user manuals, PDF files have become the preferred format for sharing and reading documents. However, the cost associated with purchasing PDF files can sometimes be a barrier for many individuals and organizations. Thankfully, there are numerous websites and platforms that allow users to download free PDF files legally. In this article, we will explore some of the best platforms to download free PDFs. One of the most popular platforms to download free PDF files is Project Gutenberg. This online library offers over 60,000 free eBooks that are in the public domain. From classic literature to historical documents, Project Gutenberg provides a wide range of PDF files that can be downloaded and enjoyed on various devices. The website is user-friendly and allows users to search for specific titles or browse through different categories. Another reliable platform for downloading Clock Schematic User Guide free PDF files is Open Library. With its vast collection of over 1 million eBooks, Open Library has something for every reader. The website offers a seamless experience by providing options to borrow or download PDF files. Users simply need to create a free account to access this treasure trove of knowledge. Open Library also allows users to contribute by uploading and sharing their own PDF files, making it a collaborative platform for book enthusiasts. For those interested in academic resources, there are websites dedicated to providing free PDFs of research papers and scientific articles. One such website is Academia.edu, which allows researchers and scholars to share their work with a global audience. Users can download PDF files of research papers, theses, and dissertations covering a wide range of subjects. Academia.edu also provides a platform for discussions and networking within the academic community. When it comes to downloading Clock Schematic User Guide free PDF files of magazines, brochures, and catalogs, Issuu is a popular choice. This digital publishing platform hosts a vast collection of publications from around the world. Users can search for specific titles or explore various categories and genres. Issuu offers a seamless reading experience with its user-friendly interface and allows users to download PDF files for offline reading. Apart from dedicated platforms, search engines also play a crucial role in finding free PDF files. Google, for instance, has an advanced search feature that allows users to filter results by file type. By specifying the file type as "PDF," users can find websites that offer free PDF downloads on a specific topic. While downloading Clock Schematic User Guide free PDF files is convenient, its

important to note that copyright laws must be respected. Always ensure that the PDF files you download are legally available for free. Many authors and publishers voluntarily provide free PDF versions of their work, but its essential to be cautious and verify the authenticity of the source before downloading Clock Schematic User Guide. In conclusion, the internet offers numerous platforms and websites that allow users to download free PDF files legally. Whether its classic literature, research papers, or magazines, there is something for everyone. The platforms mentioned in this article, such as Project Gutenberg, Open Library, Academia.edu, and Issuu, provide access to a vast collection of PDF files. However, users should always be cautious and verify the legality of the source before downloading Clock Schematic User Guide any PDF files. With these platforms, the world of PDF downloads is just a click away.

FAQs About Clock Schematic User Guide Books

How do I know which eBook platform is the best for me? Finding the best eBook platform depends on your reading preferences and device compatibility. Research different platforms, read user reviews, and explore their features before making a choice. Are free eBooks of good quality? Yes, many reputable platforms offer high-quality free eBooks, including classics and public domain works. However, make sure to verify the source to ensure the eBook credibility. Can I read eBooks without an eReader? Absolutely! Most eBook platforms offer webbased readers or mobile apps that allow you to read eBooks on your computer, tablet, or smartphone. How do I avoid digital eye strain while reading eBooks? To prevent digital eye strain, take regular breaks, adjust the font size and background color, and ensure proper lighting while reading eBooks. What the advantage of interactive eBooks? Interactive eBooks incorporate multimedia elements, quizzes, and activities, enhancing the reader engagement and providing a more immersive learning experience. Clock Schematic User Guide is one of the best book in our library for free trial. We provide copy of Clock Schematic User Guide in digital format, so the resources that you find are reliable. There are also many Ebooks of related with Clock Schematic User Guide. Where to download Clock Schematic User Guide online for free? Are you looking for Clock Schematic User Guide PDF? This is definitely going to save you time and cash in something you should think about. If you trying to find then search around for online. Without a doubt there are numerous these available and many of them have the freedom. However without doubt you receive whatever you purchase. An alternate way to get ideas is always to check another Clock Schematic User Guide. This method for see exactly what may be included and adopt these ideas to your book. This site will almost certainly help you save time and effort, money and stress. If you are looking for free books then you really should consider finding to assist you try this. Several of Clock Schematic User Guide are for sale to free while some are payable. If you arent sure if the books you would like to download works with for usage along with your computer, it is possible to download free trials. The free guides

make it easy for someone to free access online library for download books to your device. You can get free download on free trial for lots of books categories. Our library is the biggest of these that have literally hundreds of thousands of different products categories represented. You will also see that there are specific sites catered to different product types or categories, brands or niches related with Clock Schematic User Guide. So depending on what exactly you are searching, you will be able to choose e books to suit your own need. Need to access completely for Campbell Biology Seventh Edition book? Access Ebook without any digging. And by having access to our ebook online or by storing it on your computer, you have convenient answers with Clock Schematic User Guide To get started finding Clock Schematic User Guide, you are right to find our website which has a comprehensive collection of books online. Our library is the biggest of these that have literally hundreds of thousands of different products represented. You will also see that there are specific sites catered to different categories or niches related with Clock Schematic User Guide So depending on what exactly you are searching, you will be able to choose ebook to suit your own need. Thank you for reading Clock Schematic User Guide. Maybe you have knowledge that, people have search numerous times for their favorite readings like this Clock Schematic User Guide, but end up in harmful downloads. Rather than reading a good book with a cup of coffee in the afternoon, instead they juggled with some harmful bugs inside their laptop. Clock Schematic User Guide is available in our book collection an online access to it is set as public so you can download it instantly. Our digital library spans in multiple locations, allowing you to get the most less latency time to download any of our books like this one. Merely said, Clock Schematic User Guide is universally compatible with any devices to read.

Find Clock Schematic User Guide :

[8-2081 dropshipping business roadmap USA 8-2671 dropshipping business](#)

[8-2494 startup funding review United States 8-1783 startup funding](#)

8-597 side hustles trends for startups 8-2034 side hustles tutorial

business 8-2237 SEO strategy best practices for entrepreneurs 8-1457 SEO

[startups 8-1534 crypto investing blueprint America 8-2199 crypto](#)

[blueprint United States 8-498 dropshipping business blueprint for](#)

[business 8-393 dropshipping business comparison United States 8-2577](#)

real estate investing strategies for creators 8-1801 real estate

[business 8-1672 AI marketing best practices America 8-2848 AI marketing](#)

[United States 8-1977 affiliate marketing software for entrepreneurs](#)

[America 8-205 machine learning basics explained for creators 8-2611](#)

8-2360 resume writing software United States 8-2564 resume writing marketing tutorial for creators 8-1078 digital marketing tutorial for 8-1602 blockchain development software for startups 8-784 blockchain apps America 8-2369 SEO strategy apps for creators 8-2001 SEO strategy

Clock Schematic User Guide :

Common Core Coach Student Edition, Mathematics Phone: 800.225.5750. More information. Common Core Coach Student Edition, Mathematics - Grade 3. Common Core Coach Mathematics 1 by triumphlearning Common Core Coach Mathematics 1 by triumphlearning. Coach | EPS Coach Practice Tests, Math. SBAC Practice Tests. Browse by Subjects English ... Most Popular in Math. Common Core Clinics Mathematics · Write Math! More Math. Common Core Coach, Mathematics I: 9781623620004 Book overview. Mathematics I student text developed exclusively for the CCSS. ... Book reviews, interviews, editors' picks, and more. Common Core Performance Coach by Triumph Learning Common Core Performance Coach Mathematics Grade 8, Student Edition 2015 by Triumph learning and a great selection of related books, art and collectibles ... Common Core Coach Math Jan 20, 2015 — Create successful ePaper yourself · 1. Read - Understand the problem and what is being asked. 2. Plan - Make a plan. Identify the ... Common Core Coach (2010-2015) - Math Oct 24, 2018 — Common Core Coach. Publisher. School Specialty, Inc. Subject. Math ... The instructional materials reviewed for Common Core Coach Suite Grades 3-5 ... Common Core Coach by Triumph Learning Common Core Performance Coach Mathematics Grade 3, Teacher... Triumph Learning. Used Softcover. Price: US\$ 85.09. Shipping: FREE. Common Core Coach Mathematics 1 - by triumphlearning Cross walk Coach Plus for the Common Core State Standards Mathematics Grade 3. triumphlearning. from: \$8.89. Common Core Performance Coach Mathematics 5th ... COMMON CORE COACH MATHEMATICS 1 By ... COMMON CORE COACH MATHEMATICS 1 By Triumphlearning **BRAND NEW** ; Condition. Brand New ; Quantity. 1 available ; Item Number. 334986799838 ; ISBN-10. 1619979985. Julian (@009julian) • Instagram photos and videos 47K Followers, 28 Following, 987 Posts - See Instagram photos and videos from Julian (... M2 Performance Nutrition. Follow. Committed in the cold Dedicated ... I Chose The MacBook Air M2 - by Julian Cosky I am the proud owner of a new MacBook Air M2, in beautiful Midnight. Let's go back a few years... I bought my first MacBook in May 2016. Julian Quintania - Production Assistant - M2 Ingredients Julian Quintania. Attended The Art Institute of California-Inland Empire. M2 Ingredients The Art Institutes. Carlsbad, California, United States. MOTU - Julian Krause gives an in-depth review of our new... Julian Krause gives an in-depth review of our new MOTU M2 audio interface! Check out the video below for more audio examples, measurements, ... A Look Inside David Taylor's M2 Training Center | Julian, PA ... Alexan-Julian-M2-01-Model-Kitchen-0343 Blend History with Haute in Denver. The comforts within our luxury apartments at Alexan

Julian don't just extend to our homes. In fact, our great location ... Julian Sport: promoting an active lifestyle with M2 & Hyvä theme Julian Sport is a dynamic online retailer catering to sports enthusiasts of all levels. With a wide range of products and a passion for promoting an active ... Rebekah Julian Nov 10, 2022 — An esteemed and experienced panel of judges from the optical communications community recognized M2 Optics as a high-scoring honoree for the ... User manual Volkswagen Eos (2008) (English - 381 pages) Manual. View the manual for the Volkswagen Eos (2008) here, for free. This manual comes under the category cars and has been rated by 3 people with an ... 2008 Volkswagen Eos Owner's Manual in PDF! Volkswagen Owner's Manuals - view owner's manuals for VW cars in PDF for free! Choose all models: Golf, Polo, Passat, Jetta, Toureg, Touran, Atlas, Transfomer! 2008 Volkswagen Eos Owner's Manual PDF Owner's manuals contain all of the instructions you need to operate the car you own, covering aspects such as driving, safety, maintenance and infotainment. owner's manual need!!!!!!!!!!!!!! Aug 24, 2008 — I lost my owner's manual ,if someone can send a PDF copy please!!!! ... As far as I am aware, no PDF copies exist, VW having, for some reason, ... 2008 Volkswagen Eos Owner's Manual Original factory 2008 Volkswagen Eos Owner's Manual by DIY Repair Manuals. Best selection and lowest prices on owners manual, service repair manuals, ... VOLKSWAGEN EOS OWNER'S MANUAL Pdf Download View and Download Volkswagen Eos owner's manual online. Eos automobile pdf manual download. Also for: Eos 2014. Volkswagen Owners Manuals | Official VW Digital Resources Quickly view PDF versions of your owners manual for VW model years 2012 and newer by entering your 17-digit Vehicle Identification Number (VIN). 2008 Volkswagen VW Eos Convertible Owner Manual ... 2008 Volkswagen VW Eos Convertible Owner Manual User Guide Turbo Komfort Lux VR6 ; Item Number. 255817603868 ; Accurate description. 4.8 ; Reasonable shipping cost. 2008 VW EOS OWNERS MANUAL USER V6 3.2 I4 2.0 T ... 2008 VW EOS OWNERS MANUAL USER V6 3.2 I4 2.0 T VR6 TURBO LUX KOMFORT CONVERTIBLE ; Quantity. 1 available ; Item Number. 335028128730 ; Year of Publication. 2008. VOLKSWAGEN EOS 2008 Service Manual (381 Pages) View, print and download for free: VOLKSWAGEN EOS 2008 Service Manual, 381 Pages, PDF Size: 3.89 MB. Search in VOLKSWAGEN EOS 2008 Service Manual online.