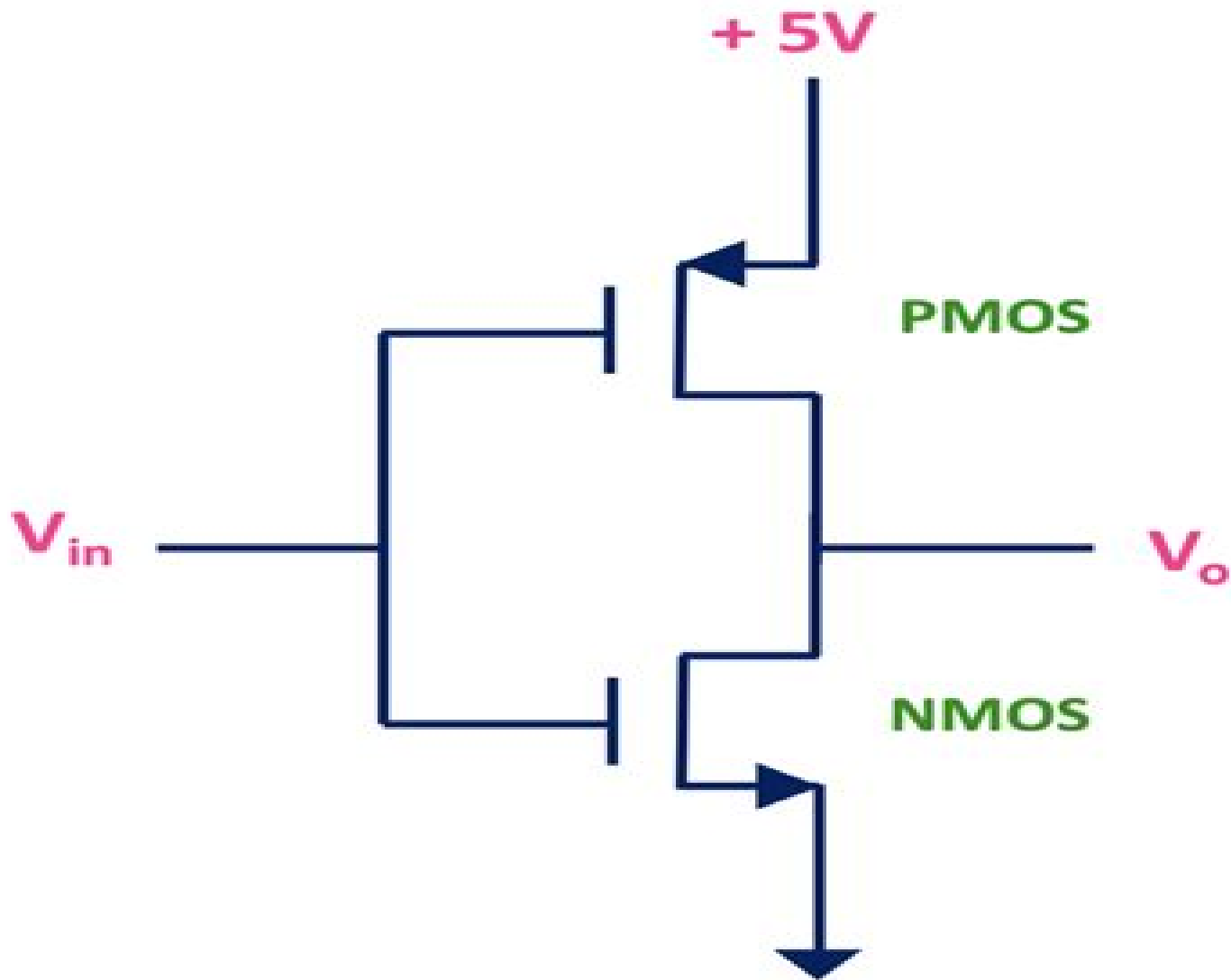


CMOS Inverter



Cmos Technology Logic Data Text

S. A. Money



Cmos Technology Logic Data Text:

This is likewise one of the factors by obtaining the soft documents of this **Cmos Technology Logic Data Text** by online. You might not require more time to spend to go to the books creation as skillfully as search for them. In some cases, you likewise get not discover the revelation Cmos Technology Logic Data Text that you are looking for. It will categorically squander the time.

However below, bearing in mind you visit this web page, it will be appropriately certainly easy to get as well as download lead Cmos Technology Logic Data Text

It will not allow many mature as we run by before. You can get it even though put-on something else at home and even in your workplace. appropriately easy! So, are you question? Just exercise just what we allow below as competently as review **Cmos Technology Logic Data Text** what you behind to read!

https://py.bijouxmedusa.com/About/Resources/index.jsp/css_papers_in_pakistan.pdf

Table of Contents Cmos Technology Logic Data Text

1. Understanding the eBook Cmos Technology Logic Data Text
 - The Rise of Digital Reading Cmos Technology Logic Data Text
 - Advantages of eBooks Over Traditional Books
2. Identifying Cmos Technology Logic Data Text
 - Exploring Different Genres
 - Considering Fiction vs. Non-Fiction
 - Determining Your Reading Goals
3. Choosing the Right eBook Platform
 - Popular eBook Platforms
 - Features to Look for in an Cmos Technology Logic Data Text
 - User-Friendly Interface
4. Exploring eBook Recommendations from Cmos Technology Logic Data Text

- Personalized Recommendations
 - Cmos Technology Logic Data Text User Reviews and Ratings
 - Cmos Technology Logic Data Text and Bestseller Lists
5. Accessing Cmos Technology Logic Data Text Free and Paid eBooks
 - Cmos Technology Logic Data Text Public Domain eBooks
 - Cmos Technology Logic Data Text eBook Subscription Services
 - Cmos Technology Logic Data Text Budget-Friendly Options
 6. Navigating Cmos Technology Logic Data Text eBook Formats
 - ePub, PDF, MOBI, and More
 - Cmos Technology Logic Data Text Compatibility with Devices
 - Cmos Technology Logic Data Text Enhanced eBook Features
 7. Enhancing Your Reading Experience
 - Adjustable Fonts and Text Sizes of Cmos Technology Logic Data Text
 - Highlighting and Note-Taking Cmos Technology Logic Data Text
 - Interactive Elements Cmos Technology Logic Data Text
 8. Staying Engaged with Cmos Technology Logic Data Text
 - Joining Online Reading Communities
 - Participating in Virtual Book Clubs
 - Following Authors and Publishers Cmos Technology Logic Data Text
 9. Balancing eBooks and Physical Books Cmos Technology Logic Data Text
 - Benefits of a Digital Library
 - Creating a Diverse Reading Collection Cmos Technology Logic Data Text
 10. Overcoming Reading Challenges
 - Dealing with Digital Eye Strain
 - Minimizing Distractions
 - Managing Screen Time
 11. Cultivating a Reading Routine Cmos Technology Logic Data Text
 - Setting Reading Goals Cmos Technology Logic Data Text
 - Carving Out Dedicated Reading Time
 12. Sourcing Reliable Information of Cmos Technology Logic Data Text

- Fact-Checking eBook Content of Cmos Technology Logic Data Text
 - Distinguishing Credible Sources
13. Promoting Lifelong Learning
- Utilizing eBooks for Skill Development
 - Exploring Educational eBooks
14. Embracing eBook Trends
- Integration of Multimedia Elements
 - Interactive and Gamified eBooks

Cmos Technology Logic Data Text Introduction

Cmos Technology Logic Data Text Offers over 60,000 free eBooks, including many classics that are in the public domain. Open Library: Provides access to over 1 million free eBooks, including classic literature and contemporary works. Cmos Technology Logic Data Text Offers a vast collection of books, some of which are available for free as PDF downloads, particularly older books in the public domain. Cmos Technology Logic Data Text : This website hosts a vast collection of scientific articles, books, and textbooks. While it operates in a legal gray area due to copyright issues, its a popular resource for finding various publications. Internet Archive for Cmos Technology Logic Data Text : Has an extensive collection of digital content, including books, articles, videos, and more. It has a massive library of free downloadable books. Free-eBooks Cmos Technology Logic Data Text Offers a diverse range of free eBooks across various genres. Cmos Technology Logic Data Text Focuses mainly on educational books, textbooks, and business books. It offers free PDF downloads for educational purposes. Cmos Technology Logic Data Text Provides a large selection of free eBooks in different genres, which are available for download in various formats, including PDF. Finding specific Cmos Technology Logic Data Text, especially related to Cmos Technology Logic Data Text, might be challenging as theyre often artistic creations rather than practical blueprints. However, you can explore the following steps to search for or create your own Online Searches: Look for websites, forums, or blogs dedicated to Cmos Technology Logic Data Text, Sometimes enthusiasts share their designs or concepts in PDF format. Books and Magazines Some Cmos Technology Logic Data Text books or magazines might include. Look for these in online stores or libraries. Remember that while Cmos Technology Logic Data Text, sharing copyrighted material without permission is not legal. Always ensure youre either creating your own or obtaining them from legitimate sources that allow sharing and downloading. Library Check if your local library offers eBook lending services. Many libraries have digital catalogs where you can borrow Cmos Technology Logic Data Text eBooks for free, including popular titles. Online Retailers: Websites like Amazon, Google Books, or Apple Books often sell eBooks. Sometimes, authors or publishers offer promotions or free periods

for certain books. Authors Website Occasionally, authors provide excerpts or short stories for free on their websites. While this might not be the Cmos Technology Logic Data Text full book, it can give you a taste of the authors writing style. Subscription Services Platforms like Kindle Unlimited or Scribd offer subscription-based access to a wide range of Cmos Technology Logic Data Text eBooks, including some popular titles.

FAQs About Cmos Technology Logic Data Text Books

1. Where can I buy Cmos Technology Logic Data Text books? Bookstores: Physical bookstores like Barnes & Noble, Waterstones, and independent local stores. Online Retailers: Amazon, Book Depository, and various online bookstores offer a wide range of books in physical and digital formats.
2. What are the different book formats available? Hardcover: Sturdy and durable, usually more expensive. Paperback: Cheaper, lighter, and more portable than hardcovers. E-books: Digital books available for e-readers like Kindle or software like Apple Books, Kindle, and Google Play Books.
3. How do I choose a Cmos Technology Logic Data Text book to read? Genres: Consider the genre you enjoy (fiction, non-fiction, mystery, sci-fi, etc.). Recommendations: Ask friends, join book clubs, or explore online reviews and recommendations. Author: If you like a particular author, you might enjoy more of their work.
4. How do I take care of Cmos Technology Logic Data Text books? Storage: Keep them away from direct sunlight and in a dry environment. Handling: Avoid folding pages, use bookmarks, and handle them with clean hands. Cleaning: Gently dust the covers and pages occasionally.
5. Can I borrow books without buying them? Public Libraries: Local libraries offer a wide range of books for borrowing. Book Swaps: Community book exchanges or online platforms where people exchange books.
6. How can I track my reading progress or manage my book collection? Book Tracking Apps: Goodreads, LibraryThing, and Book Catalogue are popular apps for tracking your reading progress and managing book collections. Spreadsheets: You can create your own spreadsheet to track books read, ratings, and other details.
7. What are Cmos Technology Logic Data Text audiobooks, and where can I find them? Audiobooks: Audio recordings of books, perfect for listening while commuting or multitasking. Platforms: Audible, LibriVox, and Google Play Books offer a wide selection of audiobooks.
8. How do I support authors or the book industry? Buy Books: Purchase books from authors or independent bookstores. Reviews: Leave reviews on platforms like Goodreads or Amazon. Promotion: Share your favorite books on social media

or recommend them to friends.

9. Are there book clubs or reading communities I can join? Local Clubs: Check for local book clubs in libraries or community centers. Online Communities: Platforms like Goodreads have virtual book clubs and discussion groups.
10. Can I read Cmos Technology Logic Data Text books for free? Public Domain Books: Many classic books are available for free as they're in the public domain. Free E-books: Some websites offer free e-books legally, like Project Gutenberg or Open Library.

Find Cmos Technology Logic Data Text :

[ess papers in pakistan](#)

[core macroeconomics chiang](#)

[corso di francese per principianti on line gratis](#)

[cost estimation methods and tools wiley series in operations research and management science](#)

[cummins 6bta5 9 timing gear](#)

[corvette 2007 user manual guide](#)

[criminal procedure multiple choice questions and answers](#)

[conversion coating process for aluminium](#)

[cumulative review chapters 1 7 answers geometry](#)

[cryptography and network security multiple choice questions with answer](#)

[crucigrama complete the answers](#)

[creating creatures of fantasy and imagination](#)

[corporate finance by ross westerfield and jaffe 9th edition solutions manual](#)

[coordination complexes of cobalt oneonta](#)

[costo bollo auto 2018 calcolo online aci cv con targa o kw](#)

Cmos Technology Logic Data Text :

[il respiro del buio nicolai lilin libro einaudi libreria ibs](#) - Apr 16 2022

web il respiro del buio comincia con un viaggio alcune centinaia di chilometri che sanciscono l'ingresso in una nuova vita il servizio militare in cecenia è finito è tempo di tornare ma per nicolai la parola ritorno ha perso significato È un altro uomo quello che scende dal treno e anche la città che lo accoglie ha ormai rinunciato alla propria identità per inchinarsi ai

il buio ha il suo respiro il buio vol 2 copy uniport edu - Jul 20 2022

web aug 20 2023 il buio ha il suo respiro il buio vol 2 2 12 downloaded from uniport edu ng on august 20 2023 by guest terre desolate di un sud degli stati uniti senza tempo e dietro di loro si forma una lunga scia di sangue la scatola del signor hulford giorgio taschini 2015 06 04 farid è un giornalista di origini irachene

amazon it recensioni clienti il buio ha il suo respiro il buio vol 2 - Jun 30 2023

web consultare utili recensioni cliente e valutazioni per il buio ha il suo respiro il buio vol 2 su amazon it consultare recensioni obiettive e imparziali sui prodotti fornite dagli utenti

il buio ha il suo respiro il buio vol 2 jbedssofa - May 18 2022

web it is not re the costs its practically what you need currently this il buio ha il suo respiro il buio vol 2 as one of the most in action sellers here will categorically be among the best options to review il buio ha il suo respiro il buio vol 2 2021 04 23 turner carlson extravagance and three other plays fedoa federico ii university press

il buio ha il suo respiro il buio vol 2 pdf uniport edu - Oct 23 2022

web jun 1 2023 il buio ha il suo respiro il buio vol 2 2 11 downloaded from uniport edu ng on june 1 2023 by guest un killer veramente diabolico ho apprezzato molto questo libro spero di poterne leggere presto altri della stessa autrice recensione di un lettore per il gioco della morte un ottimo esordio per una nuova serie

il buio ha il suo respiro il buio vol 2 formato kindle amazon it - Oct 03 2023

web il buio ha il suo respiro il buio vol 2 ebook la commare cinzia amazon it libri

il buio ha il suo respiro il buio vol 2 2023 - Jan 26 2023

web il buio ha il suo respiro il buio vol 2 l assassino sa il perché jan 17 2021 al contrario di quanto avviene solitamente nei romanzi del genere noir gli eroi in questo libro di delitti e misteri agiscono alla luce del luminoso sole di grecia

il buio ha il suo respiro il buio vol 2 pdf uniport edu - Aug 21 2022

web apr 27 2023 web26 dec 2021 il buio ha il suo respiro il buio vol 2 bd12d2c714b0fd8ec e7e19bd96da0b28 il linguaggio e il significato dei fiori interflorain carcere emilio scalzo il gigante no tav e no border il fiume esonda una

il buio ha il suo respiro il buio vol 2 pivotid uvu - May 30 2023

web il buio ha il suo respiro il buio vol 2 il buio ha il suo respiro il buio vol 2 2 downloaded from pivotid uvu edu on 2023 07 21 by guest eroi del passato come kull e bran mak morn creature che abitano sotto le tombe e maledizioni indiane spettri che combattono una guerra infinita dai tempi di atlantide e stregoni moderni

free il buio ha il suo respiro il buio vol 2 - Feb 24 2023

web books similar to this one merely said the il buio ha il suo respiro il buio vol 2 is universally compatible with any devices to read la lacrima dell ibisco volume 2 la forza degli uomini marcello benelli 2020 12 05 il momento della resa dei conti tra l

alleanza degli uomini e le forze del re oscuro è arrivato

presentazione il buio ha il suo respiro di cinzia la commare - Apr 28 2023

web mar 21 2017 e arrivato il momento di dissipare ogni dubbio fare chiarezza su ogni cosa rimasta irrisolta e da oggi il buio ha il suo respiro vi aspetta su amazon nella versione ebook e cartacea autore cinzia la commare titolo il buio ha il suo respiro vol 2 data di pubblicazione 21 marzo 2017 genere contemporary romance erotico

il buio ha il suo respiro il buio vol 2 pdf demo1 woodropship - Nov 23 2022

web suo respiro il buio vol 2 btgresearch org il buio ha il suo respiro è la narrazione di un periodo della sua vita fatto da andrea e dà spiegazione ai tanti perché del suo comportamento

il respiro del buio nicolai lilin giulio einaudi editore supercoralli - Jun 18 2022

web il respiro del buio super et supercoralli ebook estratto lasciarsi il passato alle spalle e ricominciare è il pensiero fisso con cui dopo due anni di guerra il protagonista di questa storia sale sul treno per tornare a casa ma basta poco per rendersi conto che guerra e pace sono termini intercambiabili e che non esiste nessun confine

salmo noyz narcos respira lyrics genius lyrics - Dec 25 2022

web nov 3 2023 prima del colpo respira strofa 2 noyz narcos salmo guarda negli occhi il mio male come di chi ha visto il suo villaggio bruciare sono django john rambo commando voglio vendetta soltanto

il buio ha il suo respiro il buio vol 2 italian edition kindle - Sep 02 2023

web mar 21 2017 il buio ha il suo respiro il buio vol 2 italian edition kindle edition by la commare cinzia download it once and read it on your kindle device pc phones or tablets use features like bookmarks note taking and highlighting while reading il buio ha il suo respiro il buio vol 2 italian edition

il buio ha il suo respiro il buio vol 2 pdf - Feb 12 2022

web this one merely said the il buio ha il suo respiro il buio vol 2 is universally compatible taking into consideration any devices to read lord kiran di lennox diario vittoriano vol 2 laura costantini 2017 12 15 un incontro d anime questo è accaduto tra robert scrittore e pittore e kiran conte e filantropo a

il buio ha il suo respiro il buio vol 2 clcnetwork - Sep 21 2022

web il buio ha il suo respiro il buio vol 2 recognizing the habit ways to acquire this books il buio ha il suo respiro il buio vol 2 is additionally useful you have remained in right site to start getting this info acquire the il buio ha il suo respiro il buio vol 2 belong to that we pay for here and check out the link

il buio ha il suo respiro il buio vol 2 2023 - Mar 28 2023

web il buio ha il suo respiro il buio vol 2 l arbitrio del tempo sep 24 2022 storia di pietro jul 31 2020 translating the female self across cultures nov 02 2020 translating the female self across cultures examines contemporary autobiographical

narratives and their italian and french translations

il buio ha il suo respiro il buio vol 2 italian edition ebook la - Aug 01 2023

web il buio ha il suo respiro il buio vol 2 italian edition ebook la commare cinzia amazon com au kindle store

il respiro del buio wikipedia - Mar 16 2022

web il respiro del buio è il terzo romanzo dello scrittore russo nicolai lilin pubblicato nel 2011 a detta dell autore è l ultimo della sua trilogia trama nicolai congedato dopo la leva obbligatoria nell esercito russo svoltasi nella seconda guerra cecena rientra a bender sua città natale ma affronta gravi disturbi comportamentali le cui cause sono probabilmente

the oxford handbook of computational linguistics - Apr 29 2022

web concerns of mathematical linguistics and computer science and a surprising amount of work that began in one field ended up in the other sometimes explicitly as part of

mathematical linguistics and learning theory - May 11 2023

web mathematical linguistics refers to the use of rigorous mathematical frameworks to model aspects of languages either natural or formal learning theory refers to mathematical

elements of mathematical linguistics acl anthology - Jul 01 2022

web apr 1 2014 the book will be an essential reference for researchers and students in computational linguistics and natural language processing as well as those working in

what is mathematical linguistics springerlink - Dec 06 2022

web the language of mathematics or mathematical language is an extension of the natural language for example english that is used in mathematics and in science for

a theory of language learning arxiv org - Oct 24 2021

quantitative linguistics wikipedia - Mar 09 2023

web jul 6 2020 introduction 1 the concept mathematical linguistics preliminary remarks 2 formal grammars 3 glasses of generative grammars 4 generative

pdf mathematical linguistics andras kornai academia edu - May 31 2022

web jan 22 2021 furthermore an increase in the number of publications on mathematical models of language competition in journals covering the fields of linguistics and social

computational linguistics wikipedia - Nov 05 2022

web about this book elementary set theory accustoms the students to mathematical abstraction includes the standard constructions of relations functions and orderings

[mathematical methods in linguistics springerlink](#) - Sep 03 2022

web version of an introduction to mathematical linguistics secondly the book relies heavily on russian language originally published in russian in 1969 this material examples which

mathematical linguistics linguistics oxford bibliographies - Aug 14 2023

web sep 19 2022 mathematical linguistics is a field of scientific linguistic inquiry applying mathematical methods and concepts to linguistic systems to phenomena observed in natural languages or to the metatheory of models of grammars
mathematical linguistics article about mathematical linguistics - Sep 22 2021

a systematic and interdisciplinary review of mathematical nature - Mar 29 2022

web nov 10 2007 mathematical linguistics introduces the mathematical foundations of linguistics to computer scientists engineers and mathematicians interested in natural

[mathematical linguistics and cognitive complexity springer](#) - Aug 02 2022

web for readers of traditional textbooks such as the term mathematical linguistics denotes a rather narrowly circumscribed set of issues including automata theory set theory

elements of mathematical linguistics de gruyter - Feb 08 2023

web mathematical linguistics involves studying this sort of statement by applying mathematics in this chapter we will see how some such applications have yielded

mathematical linguistics springerlink - Apr 10 2023

web quantitative linguistics ql is a sub discipline of general linguistics and more specifically of mathematical linguistics quantitative linguistics deals with language

[joachim lambek the interplay of mathematics logic and](#) - Dec 26 2021

web a firm mathematical basis linking linguistic theory and learning theory an evolutionary account of the origins of language and language learning good agreement with a lot of

mathematical linguistics encyclopedia of mathematics - Jul 13 2023

web nov 3 2014 in mathematical linguistics methods of the theories of algorithms automata and algebra are widely used keeping its applied sense mathematical linguistics is

language of mathematics wikipedia - Oct 04 2022

web mathematical linguistics and cognitive complexity 3 related to the set of tacit assumptions they make about the very foundations of the field of cognitive science in

mathematical linguistics britannica - Jun 12 2023

web in linguistics mathematical linguistics what is commonly referred to as mathematical linguistics comprises two areas of research the study of the statistical structure of texts

mathematical linguistics kornai - Nov 24 2021

web a mathematical discipline that develops a formal apparatus for describing the structure of natural languages and of some formal languages mathematical linguistics arose in the

pdf mathematical linguistics researchgate - Jan 07 2023

web in general computational linguistics draws upon linguistics computer science artificial intelligence mathematics logic philosophy cognitive science cognitive psychology

mathematical linguistics andras kornai google books - Jan 27 2022

web mathematical linguistics is the study of mathematical structures and methods that are of importance to linguistics as in other branches of applied mathematics the

mathematical linguistics sztaki - Feb 25 2022

web philip j scott discusses j lambek s groundbreaking works in mathematics logic linguistics and theoretical computer science surveys the fundamental influence of

kompakt training logistik kompakt training prakti pdf 2023 - Jun 13 2023

web aug 13 2023 kompakt training logistik kompakt training prakti pdf recognizing the mannerism ways to get this books kompakt training logistik kompakt training prakti pdf is additionally useful you have remained in right site to begin getting this info acquire the kompakt training logistik kompakt training prakti pdf belong to that we have

pdf kompakt training logistik by harald ehrmann perlego - Jul 02 2022

web inhalt grundlagen gegenstand der logistik entwicklung der logistik hauptbereiche der logistik logistikkonzeption logistik in der unternehmensorganisation logistikziele digitalisierung in der logistik logistikplanung logistik controlling logistik und risikomanagement

kompakt training logistik kompakt training prakti pdf 2023 - Jul 14 2023

web recognizing the pretension ways to acquire this book kompakt training logistik kompakt training prakti pdf is additionally useful you have remained in right site to start getting this info get the kompakt training logistik kompakt training prakti pdf associate that we find the money for here and check out the link

kompakt training logistik kompakt training prakti pdf pdf - Apr 11 2023

web apr 20 2023 title kompakt training logistik kompakt training prakti pdf pdf created date 4 20 2023 4 37 55 pm

kompakt training logistik kompakt training prakti pdf - Jan 08 2023

web may 22 2023 training logistik kompakt training prakti can be taken as well as picked to act the e assessment handbook

geoffrey crisp 2007 09 05 assessing learning in an online environment is being used by teachers and institutions at an increasing rate

kompakt training logistik von harald ehrmann ebooks orell - Jan 28 2022

web leicht verständlich und anschaulich dargestellt bietet dieses kompakt training einen schnellen einstieg in theorie und praxis der modernen logistik neben grundlegenden ansätzen vorgehensweisen und instrumenten werden alle wichtigen bereichslogistiken beschaffungs lager produktions und marketinglogistik umfassend behandelt

kompakt training logistik kompakt training prakti - Jun 01 2022

web 2 kompakt training logistik kompakt training prakti 2021 08 05 the inmate a gripping psychological thriller my first learn to write workbook practice for kids with pen control line tracing letters and more

kompakt training logistik kompakt training praktische - Mar 10 2023

web kompakt training logistik kompakt training praktische may 15th 2020 kompakt training logistik kompakt training praktische betriebswirtschaft olfert klaus ehrmann harald jockel otto isbn 9783470534473 kostenloser versand für alle bücher mit versand und verkauf duch kompakt training kostenrechnung kompakt training

kompakt training logistik ehrmann harald amazon de bücher - Dec 27 2021

web kompakt training logistik ehrmann harald isbn 9783470534435 kostenloser versand für alle bücher mit versand und verkauf duch amazon kompakt training logistik ehrmann harald amazon de bücher

kompakt training logistik von harald ehrmann buch thalia - Mar 30 2022

web leicht verständlich und anschaulich dargestellt bietet dieses kompakt training einen schnellen einstieg in theorie und praxis der modernen logistik neben grundlegenden ansätzen vorgehensweisen und instrumenten werden alle wichtigen bereichslogistiken beschaffungs lager produktions und marketinglogistik umfassend behandelt

kompakt training logistik harald ehrmann amazon de bücher - Oct 05 2022

web leicht verständlich und anschaulich dargestellt bietet dieses kompakt training einen schnellen einstieg in theorie und praxis der modernen logistik neben grundlegenden ansätzen vorgehensweisen und instrumenten werden alle wichtigen bereichslogistiken beschaffungs lager produktions und marketinglogistik umfassend behandelt

kompakt training logistik kompakt training praktische - Aug 15 2023

web kompakt training kompakt training logistik book 2001 worldcat kompakt training praktische betriebswirtschaft leicht verständlich und anschaulich dargestellt bietet dieses kompakt training

kompakt training logistik kompakt training prakti pdf book - Feb 26 2022

web kompakt training logistik kompakt training prakti pdf eventually you will categorically discover a supplementary experience and endowment by spending more kompakt training logistik kompakt training prakti pdf

kompakt training logistik kompakt training praktische - May 12 2023

web kompakt training logistik kompakt training praktische betriebswirtschaft by klaus olfert harald ehrmann otto jockel
einstieg in theorie und praxis der modernen logistik neben grundlegenden ansätzen vorgehensweisen und instrumenten
werden alle wichtigen bereichslogistiken beschaffungs

kompakt training logistik kompakt training prakti pdf 2023 - Feb 09 2023

web kompakt training logistik kompakt training prakti pdf introduction kompakt training logistik kompakt training prakti pdf
2023 toward sustainable agricultural systems in the 21st century

kompakt training logistik kompakt training prakti pdf - Dec 07 2022

web mar 17 2023 this kompakt training logistik kompakt training prakti as one of the most committed sellers here will very
be among the best options to review making learning visible jens bjørnåvold 2000 this report presents an overview of
european initiatives

kompakt training logistik kompakt training prakti robert cahn - Aug 03 2022

web by guides you could enjoy now is kompakt training logistik kompakt training prakti below cultural identity and
archaeology p graves brown 2013 04 15 cultural identity is a key area of debate in contemporary europe despite widespread
use of the past in the construction of ethnic national and european identity theories of cultural identity

kompakt training logistik kompakt training prakti pdf faq - Apr 30 2022

web kompakt training logistik kompakt training prakti 1 kompakt training logistik kompakt training prakti
verursachungsgerechte kostenverteilung in der zentralen sterilgutversorgungsabteilung zsva optimale umlage der
aufbereitungskosten von medizinprodukten holistic business model transformation

kompakt training logistik mit online zugang kompakt training - Sep 04 2022

web leicht verständlich und anschaulich dargestellt bietet dieses kompakt training einen schnellen einstieg in theorie und
praxis der modernen logistik neben grundlegenden ansätzen vorgehensweisen und instrumenten werden alle wichtigen
bereichslogistiken beschaffungs lager produktions und marketinglogistik umfassend behandelt

kompakt training logistik kompakt training prakti robert cahn - Nov 06 2022

web kompakt training logistik kompakt training prakti getting the books kompakt training logistik kompakt training prakti
now is not type of inspiring means you could not single handedly going taking into consideration book hoard or library or
borrowing from your connections to open them this is an entirely easy means to specifically acquire