

## II. PWM METHODS

### A. Sine PWM (1)

#### ➤ Three-phase inverter

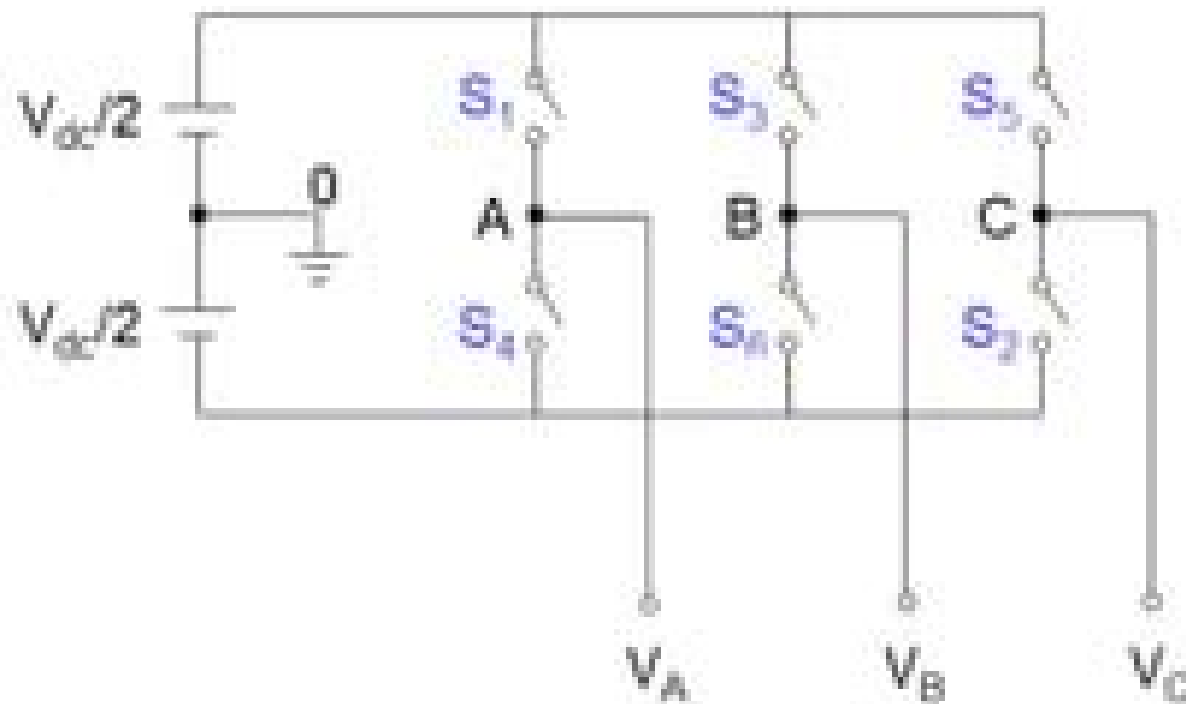


Fig. 6 Three-phase Sine PWM inverter.

# Chapter 7 Pwm Techniques

**Jianjun Gao**



## **Chapter 7 Pwm Techniques:**

m-Mode SVPWM Technique for Power Converters Bo Zhang, Dongyuan Qiu, 2019-01-29 This book presents a novel control method for power converters referred to as m mode control It provides an overview of traditional control methods for inverters e g PWM and SVPWM and the theory of the m mode control method while also discussing and applying m mode control on various types of converters including three phase nine switch five leg and multi level inverters PWM rectifiers and modular multi level converters The book provides readers with sufficient background and understanding to delve deeper into the topic of SVPWM control It is also a valuable guide for engineers and researchers whose work involves power converter control

Advanced Pulse-Width-Modulation: With Freedom to Optimize Power Electronics Converters Dong Jiang, Zewei Shen, Qiao Li, Jianan Chen, Zicheng Liu, 2021-01-20 This book is a technical publication for students scholars and engineers in electrical engineering focusing on the pulse width modulation PWM technologies in power electronics area Based on an introduction of basic PWM principles this book analyzes three major challenges for PWM on system performance power losses voltage current ripple and electromagnetic interference EMI noise and the lack of utilization of control freedoms in conventional PWM technologies Then the model of PWM s impact on system performance is introduced with the current ripple prediction method for voltage source converter as example With the prediction model two major advanced PWM methods are introduced variable switching frequency PWM and phase shift PWM which can reduce the power losses and EMI for the system based on the prediction model Furthermore the advanced PWM can be applied in advanced topologies including multilevel converters and paralleled converters With more control variables in the advanced topologies performance of PWM can be further improved Also for the special problem for common mode noise this book introduces modified PWM method for reduction Especially the paralleled inverters with advanced PWM can achieve good performance for the common mode noise reduction Finally the implementation of PWM technologies in hardware is introduced in the last part

**Electric Motor Control** Sang-Hoon Kim, 2017-05-09 Electric Motor Control DC AC and BLDC Motors introduces practical drive techniques of electric motors to enable stable and efficient control of many application systems also covering basic principles of high performance motor control techniques driving methods control theories and power converters Electric motor drive systems play a critical role in home appliances motor vehicles robotics aerospace and transportation heating ventilating and cooling equipment s robotics industrial machinery and other commercial applications The book provides engineers with drive techniques that will help them develop motor drive system for their applications Includes practical solutions and control techniques for industrial motor drive applications currently in use Contains MATLAB Simulink simulation files Enables engineers to understand the applications and advantages of electric motor drive systems

**Programming the BeagleBone** Yogesh Chavan, 2016-01-28 Master BeagleBone programming by doing simple electronics and Internet of Things projects About This Book Quickly develop electronics projects that interact with Internet

applications using JavaScript and Python Learn about electronics components such as sensors and motors and how to communicate with them by writing programs A step by step guide to explore the exciting world of BeagleBone from connecting BeagleBone to doing electronics projects and creating IoT applications Who This Book Is For If you want to learn programming on embedded systems with BeagleBone by doing simple electronics projects this book is for you This book is also helpful to BeagleBone owners who want to quickly implement small scale home automation solutions It is assumed that you have familiarity with C and Python programming Some familiarity with electronics is helpful but not essential What You Will Learn Connect your BeagleBone to a computer in different ways and get the Cloud9 IDE running to quick start programming on the BeagleBone Get to know about BeagleBone extension pins such as GPIO and how to connect various electronics components with BeagleBone Read and write to various electronics components such as LED Push button sensors and motors Grasp in depth theory on Analog PWM and BUS programming and the electronics components used in programs Handle data to and from various BUS supporting modules such as UART I2C and SPI using the Adafruit BBIO Python library Write real life IoT applications in JavaScript and Python such as shooting an e mail on overheat and controlling a servo motor remotely Make use of online free cloud services to store and analyze sensor data collected on the BeagleBone Discover what else can be done using the BeagleBone Get to grips with embedded system BUS communication In Detail The whole world is moving from desktop computers to smartphones and embedded systems We are moving towards utilizing Internet of Things IoT An exponential rise in the demand for embedded systems and programming in the last few years is driving programmers to use embedded development boards such as Beaglebone BeagleBone is an ultra small cost effective computer that comes with a powerful hardware It runs a full fledged Debian Linux OS and provides numerous electronics solutions BeagleBone is open source and comes with an Ethernet port which allows you to deploy IoT projects without any additions to the board It provides plenty of GPIO Analog pins and UART I2C SPI pins which makes it the right choice to perform electronics projects This gives you all the benefits of Linux kernel such as multitasking multiusers and extensive device driver support This allows you to do programming in many languages including high level languages such as JavaScript and Python This book aims to exploit the hardware and software capabilities of BeagleBone to create real life electronics and IoT applications quickly It is divided into two parts The first part covers JavaScript programs The second part provides electronics projects and IoT applications in Python First you will learn to use BeagleBone as tool to write useful applications on embedded systems Starting with the basics needed to set up BeagleBone and the Cloud9 IDE this book covers interfacing with various electronics components via simple programs The electronics theory related to these components is then explained in depth before you use them in a program Finally the book helps you create some real life IoT applications Style and approach An easy to follow guide full of real world electronics programs and quick troubleshooting tips using BeagleBone All the required electronics concepts are explained in detail before using them in a program and all programs are explained in depth Most of

the theory is covered in the first part while the second part gives you some quick programs      *Recent Advancements and Emerging Technologies in Multi-level Inverters* Kundan Kumar,Ambrish Devanshu,Subrata Banerjee,Lairenlakpam Robindro,Sheldon S. Williamson,2025-10-14 Recent Advances and Emerging Technologies in Multi Level Inverters provides a comprehensive exploration of the latest innovations and trends in multi level inverter technology This book delves into cutting edge designs control strategies and applications of multi level inverters in renewable energy systems electric vehicles and industrial automation It combines theoretical foundations with practical insights offering readers a holistic understanding of inverter operation and performance optimization Designed for researchers students and industry professionals the book highlights advancements in power electronics and their role in addressing modern energy challenges With detailed analyses and real world case studies this is an essential resource for anyone interested in the future of energy conversion and sustainable technologies      *Pulsewidth Modulated DC-to-DC Power Conversion* Byungcho Choi,2013-07-30 This is the definitive reference for anyone involved in pulsewidth modulated DC to DC power conversion Pulsewidth Modulated DC to DC Power Conversion Circuits Dynamics and Control Designs provides engineers researchers and students in the power electronics field with comprehensive and complete guidance to understanding pulsewidth modulated PWM DC to DC power converters Presented in three parts the book addresses the circuitry and operation of PWM DC to DC converters and their dynamic characteristics along with in depth discussions of control design of PWM DC to DC converters Topics include Basics of DC to DC power conversion DC to DC converter circuits Dynamic modeling Power stage dynamics Closed loop performance Voltage mode control and feedback design Current mode control and compensation design Sampling effects of current mode control Featuring fully tested problems and simulation examples as well as downloadable lecture slides and ready to run PSpice programs Pulsewidth Modulated DC to DC Power Conversion is an ideal reference book for professional engineers as well as graduate and undergraduate students      *Advanced Multilevel Converters and Applications in Grid Integration* Ali Iftekhar Maswood,Hossein Dehghani Tafti,2018-10-09 A comprehensive survey of advanced multilevel converter design control operation and grid connected applications Advanced Multilevel Converters and Applications in Grid Integration presents a comprehensive review of the core principles of advanced multilevel converters which require fewer components and provide higher power conversion efficiency and output power quality The authors noted experts in the field explain in detail the operation principles and control strategies and present the mathematical expressions and design procedures of their components The text examines the advantages and disadvantages compared to the classical multilevel and two level power converters The authors also include examples of the industrial applications of the advanced multilevel converters and offer thoughtful explanations on their control strategies Advanced Multilevel Converters and Applications in Grid Integration provides a clear understanding of the gap difference between research conducted and the current industrial needs This important guide Puts the focus on the new challenges and topics in related areas such as modulation methods

harmonic analysis voltage balancing and balanced current injection Makes a strong link between the fundamental concepts of power converters and advances multilevel converter topologies and examines their control strategies together with practical engineering considerations Provides a valid reference for further developments in the multilevel converters design issue Contains simulations files for further study Written for university students in electrical engineering researchers in areas of multilevel converters high power converters and engineers and operators in power industry Advanced Multilevel Converters and Applications in Grid Integration offers a comprehensive review of the core principles of advanced multilevel converters with contributions from noted experts in the field *Inverters and AC Drives* Narayanaswamy P.R.

Iyer,2024-12-26 Successful development of power electronic converters and converter fed electric drives involves system modeling analyzing the output voltage current electromagnetic torque and machine speed and making necessary design changes before hardware implementation *Inverters and AC Drives Control Modeling and Simulation Using Simulink* offers readers Simulink models for single multi triangle carrier selective harmonic elimination and space vector PWM techniques for three phase two level multi level including modular multi level Z source Quasi Z source switched inductor switched capacitor and diode assisted extended boost inverters six step inverter fed permanent magnet synchronous motor PMSM brushless DC motor BLDCM and induction motor IM drives vector controlled PMSM IM drives direct torque controlled inverter fed IM drives and fuzzy logic controlled converter fed AC drives with several examples and case studies Appendices in the book include source codes for all relevant models model projects and answers to selected model projects from all chapters This textbook will be a valuable resource for upper level undergraduate and graduate students in electrical and electronics engineering power electronics and AC drives It is also a hands on reference for practicing engineers and researchers in these areas *High Performance Control of AC Drives with Matlab / Simulink Models* Haitham Abu-Rub,Atif Iqbal,Jaroslav Guzinski,2012-04-13 A comprehensive guide to understanding AC machines with exhaustive simulation models to practice design and control Nearly seventy percent of the electricity generated worldwide is used by electrical motors Worldwide huge research efforts are being made to develop commercially viable three and multi phase motor drive systems that are economically and technically feasible Focusing on the most popular AC machines used in industry induction machine and permanent magnet synchronous machine this book illustrates advanced control techniques and topologies in practice and recently deployed Examples are drawn from important techniques including Vector Control Direct Torque Control Nonlinear Control Predictive Control multi phase drives and multilevel inverters Key features include systematic coverage of the advanced concepts of AC motor drives with and without output filter discussion on the modelling analysis and control of three and multi phase AC machine drives including the recently developed multi phase phase drive system and double fed induction machine description of model predictive control applied to power converters and AC drives illustrated together with their simulation models end of chapter questions with answers and PowerPoint slides available on the companion

website [www.wiley.com/go/aburub\\_control](http://www.wiley.com/go/aburub_control) This book integrates a diverse range of topics into one useful volume including most the latest developments It provides an effective guideline for students and professionals on many vital electric drives aspects It is an advanced textbook for final year undergraduate and graduate students and researchers in power electronics electric drives and motor control It is also a handy tool for specialists and practicing engineers wanting to develop and verify their own algorithms and techniques

*Field-oriented Control for Induction Motor Drives* Zaher Daboussi,1990

*Power Electronics in Energy Conversion Systems* Behrooz Mirafzal,2021-10-01 Learn fundamental concepts of power electronics for conventional and modern energy conversion systems This textbook offers comprehensive coverage of power electronics for the dynamic and steady state analysis of conventional and modern energy conversion systems The book includes detailed discussions of power converters for energy conversion techniques in renewable energy systems grid interactive inverters and motor drives Written by a seasoned educator *Power Electronics in Energy Conversion Systems* contains exclusive topics and features hundreds of helpful illustrations Readers will gain clear understandings of the concepts through many examples and simulations Coverage includes An introduction to power electronics and energy conversion Fundamental concepts in electric and magnetic circuits Principles of electromechanical systems Steady state analysis of DC DC converters Dynamics of DC DC converters Steady state analysis of inverters Steady state analysis and control of rectifiers Control and dynamics of grid interactive inverters Dynamic models of AC machines Control of inverters in motor drive systems Inverters and high frequency transients

*Microcontroller Theory and Applications* Daniel J. Pack,Steven Frank Barrett,2008 For undergraduate students taking a Microcontroller or Microprocessor course frequently found in electrical engineering and computer engineering curricula This text provides the reader with fundamental assembly language programming skills an understanding of the functional hardware components of a microcontroller and skills to interface a variety of external devices with microcontrollers

*Power Electronics and Variable Frequency Drives* Bimal K. Bose,1997 This original contributed volume combines the individual expertise of eleven world renowned professionals to provide comprehensive authoritative coverage of state of the art power electronics and AC drive technology Featuring an extensive introductory chapter by power electronics expert Bimal K Bose and more than 400 figures **POWER ELECTRONICS AND VARIABLE FREQUENCY DRIVES** covers each of the field s component disciplines and drives all in one complete resource Broad in scope and unique in its presentation this volume belongs on the bookshelf of every industry engineer professor graduate student and researcher involved in this fast growing multidisciplinary field It is an essential for teaching research development and design

*Multilevel Inverters and Their Applications in Power System* Jin Wang,2005

[Nonlinear Phenomena in Power Electronics](#) Soumitro Banerjee,George C. Verghese,2001-07-16 Brings the knowledge of 24 experts in this maturing field out from the narrow confines of academic circles and makes it accessible to graduate students and power electronics professionals alike Provides practicing engineers with the knowledge to predict power requirement behavior The insights

gained from this all inclusive compilation will ultimately lead to better design methodologies

**An All-active Hybrid Switching Converter for Power Electronic Utility Applications** Girish Radhakrishna Kamath,1998

**Intelligent Control** Yasuhiko Dote,Richard Gibson Hoft,1998 This book describes intelligent control and its use in power electronic systems specifically AC motor drives and uninterruptable power supply UPS systems The book covers both the fundamentals of the subject and its practical applications From the Foreword by Lofti A Zadeh Director of Berkeley Soft Computing Center California What is unusual about this book is that it starts with a description of more or less classical control techniques moves on to modern control and state space techniques addresses in detail the complex issues arising in the analysis and design of robust control takes up digital signal processing controllers and finally presents a very insightful exposition of soft computing techniques and their application to advanced control of AC drives and UPS systems

The Impact of Measurement Error on the At-site Flood Frequency Estimation Problem John F. Walker,1985

Modern Control Technology Christopher T. Kilian,2001 Thoroughly updated this edition features new material on decibels levers friction clutches and brakes tooth rotor tachometers vision sensors dynamic braking of DC motors linear motors and flux vector AC drives Also included is new information on popular PIC and BASIC Stamp microcontrollers plus expanded coverage of brushless DC motors and networking used in control systems

BOOK JACKET *Revue Roumaine de Physique* ,1984

Eventually, you will unquestionably discover a extra experience and capability by spending more cash. nevertheless when? get you admit that you require to get those all needs bearing in mind having significantly cash? Why dont you attempt to acquire something basic in the beginning? Thats something that will lead you to comprehend even more all but the globe, experience, some places, considering history, amusement, and a lot more?

It is your enormously own epoch to accomplishment reviewing habit. in the course of guides you could enjoy now is **Chapter 7 Pwm Techniques** below.

[https://py.bijouxmedusa.com/public/detail/index.jsp/The\\_Scarlet\\_Letter\\_Reading\\_Guide\\_Answer\\_Key.pdf](https://py.bijouxmedusa.com/public/detail/index.jsp/The_Scarlet_Letter_Reading_Guide_Answer_Key.pdf)

## **Table of Contents Chapter 7 Pwm Techniques**

1. Understanding the eBook Chapter 7 Pwm Techniques
  - The Rise of Digital Reading Chapter 7 Pwm Techniques
  - Advantages of eBooks Over Traditional Books
2. Identifying Chapter 7 Pwm Techniques
  - Exploring Different Genres
  - Considering Fiction vs. Non-Fiction
  - Determining Your Reading Goals
3. Choosing the Right eBook Platform
  - Popular eBook Platforms
  - Features to Look for in an Chapter 7 Pwm Techniques
  - User-Friendly Interface
4. Exploring eBook Recommendations from Chapter 7 Pwm Techniques
  - Personalized Recommendations
  - Chapter 7 Pwm Techniques User Reviews and Ratings
  - Chapter 7 Pwm Techniques and Bestseller Lists
5. Accessing Chapter 7 Pwm Techniques Free and Paid eBooks

- Chapter 7 Pwm Techniques Public Domain eBooks
  - Chapter 7 Pwm Techniques eBook Subscription Services
  - Chapter 7 Pwm Techniques Budget-Friendly Options
6. Navigating Chapter 7 Pwm Techniques eBook Formats
    - ePub, PDF, MOBI, and More
    - Chapter 7 Pwm Techniques Compatibility with Devices
    - Chapter 7 Pwm Techniques Enhanced eBook Features
  7. Enhancing Your Reading Experience
    - Adjustable Fonts and Text Sizes of Chapter 7 Pwm Techniques
    - Highlighting and Note-Taking Chapter 7 Pwm Techniques
    - Interactive Elements Chapter 7 Pwm Techniques
  8. Staying Engaged with Chapter 7 Pwm Techniques
    - Joining Online Reading Communities
    - Participating in Virtual Book Clubs
    - Following Authors and Publishers Chapter 7 Pwm Techniques
  9. Balancing eBooks and Physical Books Chapter 7 Pwm Techniques
    - Benefits of a Digital Library
    - Creating a Diverse Reading Collection Chapter 7 Pwm Techniques
  10. Overcoming Reading Challenges
    - Dealing with Digital Eye Strain
    - Minimizing Distractions
    - Managing Screen Time
  11. Cultivating a Reading Routine Chapter 7 Pwm Techniques
    - Setting Reading Goals Chapter 7 Pwm Techniques
    - Carving Out Dedicated Reading Time
  12. Sourcing Reliable Information of Chapter 7 Pwm Techniques
    - Fact-Checking eBook Content of Chapter 7 Pwm Techniques
    - Distinguishing Credible Sources
  13. Promoting Lifelong Learning
    - Utilizing eBooks for Skill Development

- Exploring Educational eBooks
14. Embracing eBook Trends
- Integration of Multimedia Elements
  - Interactive and Gamified eBooks

## **Chapter 7 Pwm Techniques Introduction**

Free PDF Books and Manuals for Download: Unlocking Knowledge at Your Fingertips In today's fast-paced digital age, obtaining valuable knowledge has become easier than ever. Thanks to the internet, a vast array of books and manuals are now available for free download in PDF format. Whether you are a student, professional, or simply an avid reader, this treasure trove of downloadable resources offers a wealth of information, conveniently accessible anytime, anywhere. The advent of online libraries and platforms dedicated to sharing knowledge has revolutionized the way we consume information. No longer confined to physical libraries or bookstores, readers can now access an extensive collection of digital books and manuals with just a few clicks. These resources, available in PDF, Microsoft Word, and PowerPoint formats, cater to a wide range of interests, including literature, technology, science, history, and much more. One notable platform where you can explore and download free Chapter 7 Pwm Techniques PDF books and manuals is the internet's largest free library. Hosted online, this catalog compiles a vast assortment of documents, making it a veritable goldmine of knowledge. With its easy-to-use website interface and customizable PDF generator, this platform offers a user-friendly experience, allowing individuals to effortlessly navigate and access the information they seek. The availability of free PDF books and manuals on this platform demonstrates its commitment to democratizing education and empowering individuals with the tools needed to succeed in their chosen fields. It allows anyone, regardless of their background or financial limitations, to expand their horizons and gain insights from experts in various disciplines. One of the most significant advantages of downloading PDF books and manuals lies in their portability. Unlike physical copies, digital books can be stored and carried on a single device, such as a tablet or smartphone, saving valuable space and weight. This convenience makes it possible for readers to have their entire library at their fingertips, whether they are commuting, traveling, or simply enjoying a lazy afternoon at home. Additionally, digital files are easily searchable, enabling readers to locate specific information within seconds. With a few keystrokes, users can search for keywords, topics, or phrases, making research and finding relevant information a breeze. This efficiency saves time and effort, streamlining the learning process and allowing individuals to focus on extracting the information they need. Furthermore, the availability of free PDF books and manuals fosters a culture of continuous learning. By removing financial barriers, more people can access educational resources and pursue lifelong learning, contributing to personal growth and professional development. This democratization of knowledge promotes intellectual curiosity and empowers

individuals to become lifelong learners, promoting progress and innovation in various fields. It is worth noting that while accessing free Chapter 7 Pwm Techniques PDF books and manuals is convenient and cost-effective, it is vital to respect copyright laws and intellectual property rights. Platforms offering free downloads often operate within legal boundaries, ensuring that the materials they provide are either in the public domain or authorized for distribution. By adhering to copyright laws, users can enjoy the benefits of free access to knowledge while supporting the authors and publishers who make these resources available. In conclusion, the availability of Chapter 7 Pwm Techniques free PDF books and manuals for download has revolutionized the way we access and consume knowledge. With just a few clicks, individuals can explore a vast collection of resources across different disciplines, all free of charge. This accessibility empowers individuals to become lifelong learners, contributing to personal growth, professional development, and the advancement of society as a whole. So why not unlock a world of knowledge today? Start exploring the vast sea of free PDF books and manuals waiting to be discovered right at your fingertips.

### **FAQs About Chapter 7 Pwm Techniques Books**

**What is a Chapter 7 Pwm Techniques PDF?** A PDF (Portable Document Format) is a file format developed by Adobe that preserves the layout and formatting of a document, regardless of the software, hardware, or operating system used to view or print it. **How do I create a Chapter 7 Pwm Techniques PDF?** There are several ways to create a PDF: Use software like Adobe Acrobat, Microsoft Word, or Google Docs, which often have built-in PDF creation tools. Print to PDF: Many applications and operating systems have a "Print to PDF" option that allows you to save a document as a PDF file instead of printing it on paper. Online converters: There are various online tools that can convert different file types to PDF. **How do I edit a Chapter 7 Pwm Techniques PDF?** Editing a PDF can be done with software like Adobe Acrobat, which allows direct editing of text, images, and other elements within the PDF. Some free tools, like PDFescape or Smallpdf, also offer basic editing capabilities. **How do I convert a Chapter 7 Pwm Techniques PDF to another file format?** There are multiple ways to convert a PDF to another format: Use online converters like Smallpdf, Zamzar, or Adobe Acrobats export feature to convert PDFs to formats like Word, Excel, JPEG, etc. Software like Adobe Acrobat, Microsoft Word, or other PDF editors may have options to export or save PDFs in different formats. **How do I password-protect a Chapter 7 Pwm Techniques PDF?** Most PDF editing software allows you to add password protection. In Adobe Acrobat, for instance, you can go to "File" -> "Properties" -> "Security" to set a password to restrict access or editing capabilities. Are there any free alternatives to Adobe Acrobat for working with PDFs? Yes, there are many free alternatives for working with PDFs, such as: LibreOffice: Offers PDF editing features. PDFsam: Allows splitting, merging, and editing PDFs. Foxit Reader: Provides basic PDF viewing

and editing capabilities. How do I compress a PDF file? You can use online tools like Smallpdf, ILovePDF, or desktop software like Adobe Acrobat to compress PDF files without significant quality loss. Compression reduces the file size, making it easier to share and download. Can I fill out forms in a PDF file? Yes, most PDF viewers/editors like Adobe Acrobat, Preview (on Mac), or various online tools allow you to fill out forms in PDF files by selecting text fields and entering information. Are there any restrictions when working with PDFs? Some PDFs might have restrictions set by their creator, such as password protection, editing restrictions, or print restrictions. Breaking these restrictions might require specific software or tools, which may or may not be legal depending on the circumstances and local laws.

### **Find Chapter 7 Pwm Techniques :**

[the scarlet letter reading guide answer key](#)

**the prologue romeo and juliet**

**the psyche in chinese medicine treatment of emotional and mental disharmonies with acupuncture and chinese herbs 1e**

[the return of philip latinowicz miroslav krleza](#)

**thermodynamics an engineering approach 7th solution**

*the photograph as contemporary art world of art*

**the river of lost footsteps**

**the philosophy of money georg simmel**

*the success system that never fails*

**the queen of water laura resau**

**the power of now by eckhart tolle a guide to spiritual enlightenment summary takeaways brief books book 38**

**theodore rappaport wireless communication solution manual**

**theory of electrical machines part i**

**thermal decomposition of ionic solids chemical properties and reactivities of ionic crystalline phases studies in physical and theoretical chemistry**

**the preparatory of chemical warfare agents third edition**

### **Chapter 7 Pwm Techniques :**

*business english para dummies none free download borrow - Mar 27 2022*

*top business english courses online updated november - Oct 02 2022*

web search for efl esl resources to use in your business english classes you can also follow a business english course from the course plans page or use the filter options to

*free business english lessons oxford online english - May 09 2023*

web learn english with these free learning english videos and materials from bbc learning english this site will help you learn english and improve your pronunciation grammar

**bbc learning english bbc learning english business english - Mar 07 2023**

web learn business english from top rated udemy instructors whether you re interested in learning english vocabulary for presentations formal email writing or negotiations

**beginner business english vocabulary top 51 terms - Sep 01 2022**

web business english para dummies by none publication date 2012 topics english language business english english language textbooks for foreign speakers

a complete guide to business english with useful - Jul 11 2023

web in this business english lesson you ll learn to describe business strategies and corporate competition you ll see lots of useful vocabulary and collocations you can use to describe

**business english for beginners englishclass101 - Nov 03 2022**

web below are some of the more popular business english topics 5 import export logistics and supply chain listening speaking and vocabulary exercises 20 business english

grammar for business 8 important rules professionals need to - Jun 29 2022

web jan 19 2022 subject the person or thing being talked about complement a word or group of words that completes the meaning of the subject verb pair types of complements

**9 excellent e books that teach a variety of business - Jan 05 2023**

web sep 22 2022 what are the basics of business english business english is a subset of english used in the international business community its purpose is to facilitate

*business english lecture notes 5 business english - Feb 23 2022*

business english lessons guide for esl teachers eslflow - May 29 2022

web about this book necesitas el inglés para conseguir untrabajo te sientes inseguro en lasreuniones con clientes y proveedoresextranjeros quieres dar el salto a

32 important english phrases for nailing business - Aug 12 2023

we work with some of the world s leading organisations to create and deliver english language courses professional communication skills see more

*english grammar for dummies cheat sheet* - Jan 25 2022

**business english para dummies pdf documents and e books** - Nov 22 2021

**200 essential business english phrases and idioms to** - Jun 10 2023

web apr 19 2022 business english basics 5 easy steps to get you started how can you improve your business english if you re motivated but you don t know where to start

**4 little tips that every business english beginner** - Feb 06 2023

web if you want to get ahead in your career create your own business or simply improve your communication skills learning these key vocabulary for business will give you a

[business english lesson plans linguahouse com](#) - Apr 27 2022

web overview download view business english para dummies pdf as pdf for free more details pages 93 preview full text [pdf more business english para dummies by aa vv perlego](#) - Dec 24 2021

*business english learnenglish* - Oct 14 2023

english is recognised as the most internationally popular language which makes it the most dominant language in the business world even if you have a good level of basic english learning business english will give you the chance to demonstrate a wider professional vocabulary which can result in new see more

**business english for beginners tips and strategies** - Sep 13 2023

here you can find a wide variety of activities to develop your interview skills write clear emails in english and learn about business topics and issues watch videos listen to podcasts or read articles then complete the see more

**business english basics 5 easy steps to get you started** - Apr 08 2023

web business english for beginners harness the power of formality levels in english to boost your professional career follow contents 25 audio lesson s 157 vocabulary 1

**the 48 best business english books for professional english** - Jul 31 2022

web business english a for mal way of communicatin g with oth ers to facilitate business tran sactions or exchange o f goods an d services for communication t o be effective it

**business english for beginners it s easier than you think** - Dec 04 2022

web nov 4 2023 english grammar for business may seem difficult but it s probably easier than you think plus it comes with great benefits better grammar means better

[qed la strana teoria della luce e della materia amazon it](#) - May 30 2023

web qed la strana teoria della luce e della materia feynman richard p amazon com tr kitap

**qed la strana teoria della luce e della materia amazon it** - Sep 02 2023

web in questo libro sono raccolte quattro lezioni universitarie tenute da feynman fruibili a chi ha un minimo di conoscenze scientifiche tramite le quali capirete come la luce interagisce

**qed richard p feynman adelphi edizioni** - Jun 30 2023

web in questo libro sono raccolte quattro lezioni universitarie tenute da feynman fruibili a chi ha un minimo di conoscenze scientifiche tramite le quali capirete come la luce interagisce

**qed la strana teoria della luce e della materia mondadori store** - Aug 21 2022

web qed la strana teoria della luce e della materia richard phillips feynman mondadori de agostini 1996 195 pages we haven t found any reviews in the usual places other

[qed la strana teoria della luce e della materia libreria ibs](#) - Jul 20 2022

web may 11 2018 feynman riesce a descrivere a parole la potenza e l efficacia della qed in grado di spiegare buona parte delle osservazioni fisiche legate all elettromagnetismo

**la strana teoria della luce e della materia linkedin** - Jan 14 2022

web oct 5 2018 strong della strong strong luce strong e strong della strong strong materia strong ebook strong qed strong strong la strong

**qed la strana teoria della luce e della materia libreria** - Feb 12 2022

web may 6 2014 qed la strana teoria della luce e della materia i introduzione alix mautner aveva grande curiosità per la fisica e spesso mi chiedeva

**scarica libro gratis qed la strana teoria della luce e della** - Nov 11 2021

*qed la strana teoria della luce e della materia goodreads* - Aug 01 2023

web il punto di partenza è la riflessione della luce prendendo le mosse da esperienze elementari feynman ci mostra come tale riflessione lungi dall essere un semplice

**qed la strana teoria della luce e della materia google books** - Jun 18 2022

web la strana teoria della luce e della materia by feynman richard p nicodemi f isbn 9788845925344 from amazon s book store everyday low prices and free delivery on

[qed la strana teoria della luce e della materia paperback](#) - Apr 16 2022

web acquista il bestseller qed la strana teoria della luce e della materia spedizione gratuita sopra i 25 euro su libreria universitaria giocattoli prima infanzia articoli cucina la

**qed la strana teoria della luce e della materia libreria ibs** - Oct 03 2023

web la strana teoria della luce e della materia è un libro di richard p feynman pubblicato da adelphi nella collana biblioteca scientifica acquista su ibs a 16 15

[qed richard p feynman adelphi edizioni](#) - Dec 25 2022

web superstringhe dimensioni nascoste e la ricerca della teoria ultima e la realtà nascosta universi paralleli e leggi profonde del cosmo sean carroll la particella alla fine

**qed la strana teoria della luce e della materia lafeltrinelli** - Nov 23 2022

web qed la strana teoria della luce e della materia richard p feynman adelphi science 195 pages in questo libro con stupefacente chiarezza un grande fisico ci spiega come

[qed la strana teoria della luce e della materia google books](#) - Feb 24 2023

web qed la strana teoria della luce e della materia è un libro di richard p feynman pubblicato da adelphi nella collana gli adelphi acquista su ibs a 12 00

[qed la strana teoria della luce e della materia amazon com tr](#) - Apr 28 2023

web qed la strana teoria della luce e della materia feynman richard p amazon com tr

[qed la strana teoria della luce e della materia formato kindle](#) - Oct 23 2022

web qed la strana teoria della luce e della materia richard p feynman pubblicato da adelphi 1 recensioni prezzo online 12 00 o 3 rate da 4 00 senza interessi

**qed la strana teoria della luce e della materia libreria** - Jan 26 2023

web qed la strana teoria della luce e della materia è un libro di richard p feynman pubblicato da adelphi nella collana gli adelphi acquista su feltrinelli a 10 00

[qed la strana teoria della luce e della materia issuu](#) - Dec 13 2021

**qed la strana teoria della luce e della materia google books** - Sep 21 2022

web qed la strana teoria della luce e della materia è un ebook di feynman richard p pubblicato da adelphi a 8 49 il file è in formato epub2 con adobe drm risparmia

**amazon it recensioni clienti qed la strana teoria della luce e** - Mar 16 2022

web aug 16 2016 la strana teoria della luce e della materia fabrizio catalfamo fabrizio catalfamo founder and executive

editor published aug 16 2016

ged la strana teoria della luce e della materia Italiana kağıt - Mar 28 2023

web la strana teoria della luce e della materia richard phillips feynman adelphi 2010 science 195 pages 0 reviews abbreviata nella sigla qed del titolo feynman

**la strana teoria della luce e della materia eduinaf** - May 18 2022

web la strana teoria della luce e della materia richard p feynman scrivi una recensione come funzionano le recensioni e le valutazioni dei clienti la recensione più positiva

*le grand pouvoir du chninkel senscritique* - Nov 25 2021

**le grand pouvoir du chninkel tome 1 amazon fr** - Jul 14 2023

web noté 5 retrouvez le grand pouvoir du chninkel tome 1 le commandement et des millions de livres en stock sur amazon fr achetez neuf ou d occasion

*le grand pouvoir du chninkel tome 1 le commandem* - Jul 02 2022

web le grand pouvoir du chninkel tome 1 le commandem is available in our book collection an online access to it is set as public so you can get it instantly our books

**le grand pouvoir du chninkel tome 1 le commandem** - Apr 30 2022

web apr 22 2023 le grand pouvoir du chninkel tome 1 le commandem 2 7 downloaded from uniport edu ng on april 22 2023 by guest edge of the world it wasn t meant to be

**le grand pouvoir du chninkel tome 1 le commandement** - Aug 15 2023

web dec 1 2014 résumé depuis la nuit des temps les trois immortels s affrontent sans relâche leurs armées se combattent sans qu il n y ait jamais réellement ni vainqueur ni

*le grand pouvoir du chninkel tome 1 le commandem* - Jan 28 2022

web le grand pouvoir du chninkel coffret 3 volumes tome 1 le commandement tome rosinski 2002 thor s shield yves sente 2022 he s a child of the stars beloved of the

le grand pouvoir du chninkel tome 1 tome 1 fnac - May 12 2023

web le grand pouvoir du chninkel tome 1 le commandement sur abebooks fr isbn 10 2203389737 isbn 13 9782203389731 casterman 2001 couverture rigide

le grand pouvoir du chninkel tome 1 abebooks france - Feb 09 2023

web le grand pouvoir du chninkel offre à van hamme l occasion d aborder sous un angle nouveau l un de ses thèmes de prédilection à savoir l antagonisme latent entre la force

*le grand pouvoir du chninkel tome 1 le commandem pdf* - Oct 25 2021

*le grand pouvoir du chninkel tome 1 bdfugue com* - Jan 08 2023

web des ruines encore fumantes de ce monde ravagé surgirent en hurlant les armées de ceux qu'on appela les trois immortels zembria la cyclope barr find main noire et jargoth le

**le grand pouvoir du chninkel tome 1 le commandement** - Oct 05 2022

web aug 2 2023 le grand pouvoir du chninkel tome 1 le commandem 2 5 downloaded from uniport edu ng on august 2 2023 by guest to israel in an attempt to discover some

**le grand pouvoir du chninkel tome 1 le commandem pdf** - Feb 26 2022

web bd franco belge de jean van hamme et grzegorz rosinski avril 1988 france groupe le grand pouvoir du chninkel résumé des ruines encore fumantes de ce monde

**le grand pouvoir du chninkel tome 1 le commandement by** - Dec 27 2021

**le grand pouvoir du chninkel tome 1 le commandement** - Mar 10 2023

web le site où les passionnés de lecture partagent et échangent autour de leurs lectures fermer accueil mes livres ajouter des livres découvrir le grand pouvoir du

**babelio découvrez des livres critiques extraits résumés** - Dec 07 2022

web jean van hamme auteur rosinski auteur que penser de le grand pouvoir du chninkel coffret 3 volumes tome 1 le commandement tome avis et critiques de le grand

**le grand pouvoir du chninkel tome 1 le commandem pdf** - Mar 30 2022

web jun 10 2023 le grand pouvoir du chninkel tome 1 le commandement by rosinski grzegorz rosinski jean van hamme actually want you can uncover them quickly des

le grand pouvoir du chninkel intégrale noir et blanc - Nov 06 2022

web it will definitely blow the time frame it will hugely convenience you to see manual le grand pouvoir du chninkel tome 1 le commandement by rosinski grzegorz rosinski jean

le grand pouvoir du chninkel coffret 3 volumes tome 1 le - Sep 04 2022

web jul 23 2023 october 30th 2019 le grand pouvoir du chninkel tome 1 le mandement by lia erc gov ph 10 20 rosinski and van hamme jean jun 1 2001 5 0 out of 5 stars 1

*le grand pouvoir du chninkel 1 le commandement bedetheque* - Jun 13 2023

web jun 23 2001 le soir meme le créateur des mondes lui confie la dure tache d'arrêter la guerre entre les 3 grands maitres

et qu'ils fassent la paix quelques péripéties plus

le grand pouvoir du chninkel tome 1 le commandement by - Jun 01 2022

web le grand pouvoir du chninkel tome 1 le commandem pdf pages 3 18 le grand pouvoir du chninkel tome 1 le commandem pdf upload betty g boyle 3 18

le grand pouvoir du chninkel tome 1 le commandement by - Aug 03 2022

web le grand pouvoir du chninkel tome 1 le commandem le grand pouvoir du chninkel tome 1 le commandem 2 downloaded from old restorativejustice.org on 2020

le grand pouvoir du chninkel bd informations - Apr 11 2023

web le grand pouvoir du chninkel tome 1 le commandement de rosinski van hamme et d'autres livres articles d'art et de collection similaires disponibles sur abebooks.fr