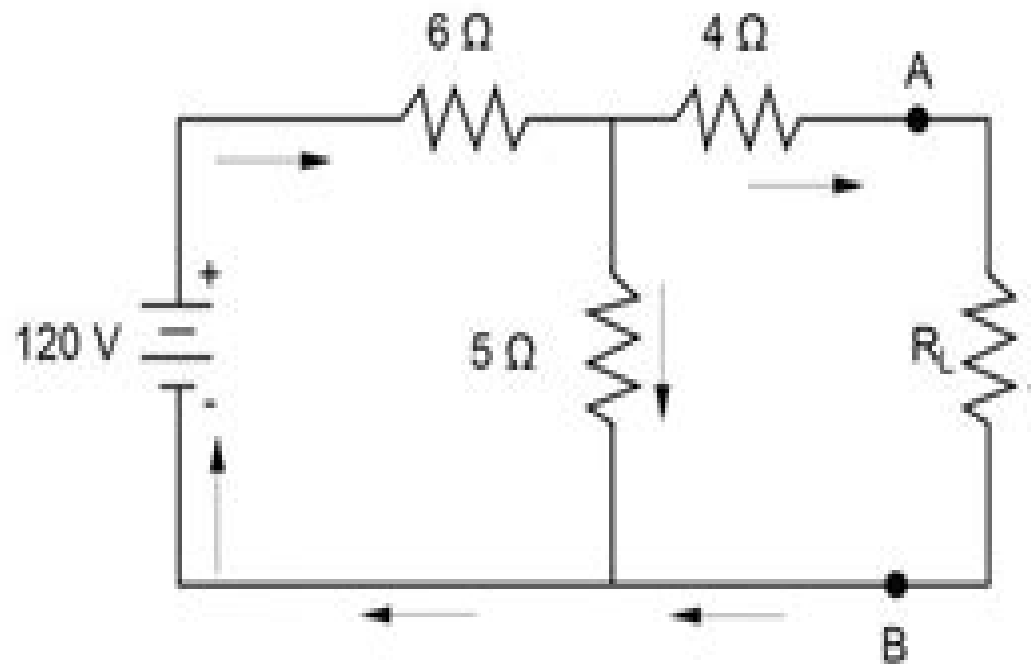


Find the Thevenin equivalent voltage and resistance for the following circuit. The load resistance is shown as R_L .



(a) $V_{TH} = 45.5 \text{ V}; R_{TH} = 6.7 \Omega$

(b) $V_{TH} = 54.5 \text{ V}; R_{TH} = 6.7 \Omega$

(c) $V_{TH} = 45.4 \text{ V}; R_{TH} = 9 \Omega$

(d) $V_{TH} = 54.5 \text{ V}; R_{TH} = 9 \Omega$

Circuit Analysis Practice Exam

Mehdi Rahmani-Andebili



Circuit Analysis Practice Exam:

The Top Books of the Year Circuit Analysis Practice Exam The year 2023 has witnessed a remarkable surge in literary brilliance, with numerous captivating novels enthraling the hearts of readers worldwide. Lets delve into the realm of bestselling books, exploring the engaging narratives that have enthralled audiences this year. The Must-Read : Colleen Hoover's "It Ends with Us" This touching tale of love, loss, and resilience has captivated readers with its raw and emotional exploration of domestic abuse. Hoover skillfully weaves a story of hope and healing, reminding us that even in the darkest of times, the human spirit can triumph. Circuit Analysis Practice Exam : Taylor Jenkins Reids "The Seven Husbands of Evelyn Hugo" This captivating historical fiction novel unravels the life of Evelyn Hugo, a Hollywood icon who defies expectations and societal norms to pursue her dreams. Reids absorbing storytelling and compelling characters transport readers to a bygone era, immersing them in a world of glamour, ambition, and self-discovery. Discover the Magic : Delia Owens "Where the Crawdads Sing" This evocative coming-of-age story follows Kya Clark, a young woman who grows up alone in the marshes of North Carolina. Owens crafts a tale of resilience, survival, and the transformative power of nature, captivating readers with its evocative prose and mesmerizing setting. These bestselling novels represent just a fraction of the literary treasures that have emerged in 2023. Whether you seek tales of romance, adventure, or personal growth, the world of literature offers an abundance of engaging stories waiting to be discovered. The novel begins with Richard Papen, a bright but troubled young man, arriving at Hampden College. Richard is immediately drawn to the group of students who call themselves the Classics Club. The club is led by Henry Winter, a brilliant and charismatic young man. Henry is obsessed with Greek mythology and philosophy, and he quickly draws Richard into his world. The other members of the Classics Club are equally as fascinating. Bunny Corcoran is a wealthy and spoiled young man who is always looking for a good time. Charles Tavis is a quiet and reserved young man who is deeply in love with Henry. Camilla Macaulay is a beautiful and intelligent young woman who is drawn to the power and danger of the Classics Club. The students are all deeply in love with Morrow, and they are willing to do anything to please him. Morrow is a complex and mysterious figure, and he seems to be manipulating the students for his own purposes. As the students become more involved with Morrow, they begin to commit increasingly dangerous acts. The Secret History is a brilliant and thrilling novel that will keep you speculating until the very end. The novel is a warning tale about the dangers of obsession and the power of evil.

https://py.bijouxmedusa.com/About/Resources/fetch.php/e_mini_cooper_italiano.pdf

Table of Contents Circuit Analysis Practice Exam

1. Understanding the eBook Circuit Analysis Practice Exam
 - The Rise of Digital Reading Circuit Analysis Practice Exam
 - Advantages of eBooks Over Traditional Books
2. Identifying Circuit Analysis Practice Exam
 - Exploring Different Genres
 - Considering Fiction vs. Non-Fiction
 - Determining Your Reading Goals
3. Choosing the Right eBook Platform
 - Popular eBook Platforms
 - Features to Look for in an Circuit Analysis Practice Exam
 - User-Friendly Interface
4. Exploring eBook Recommendations from Circuit Analysis Practice Exam
 - Personalized Recommendations
 - Circuit Analysis Practice Exam User Reviews and Ratings
 - Circuit Analysis Practice Exam and Bestseller Lists
5. Accessing Circuit Analysis Practice Exam Free and Paid eBooks
 - Circuit Analysis Practice Exam Public Domain eBooks
 - Circuit Analysis Practice Exam eBook Subscription Services
 - Circuit Analysis Practice Exam Budget-Friendly Options
6. Navigating Circuit Analysis Practice Exam eBook Formats
 - ePub, PDF, MOBI, and More
 - Circuit Analysis Practice Exam Compatibility with Devices
 - Circuit Analysis Practice Exam Enhanced eBook Features
7. Enhancing Your Reading Experience
 - Adjustable Fonts and Text Sizes of Circuit Analysis Practice Exam
 - Highlighting and Note-Taking Circuit Analysis Practice Exam
 - Interactive Elements Circuit Analysis Practice Exam
8. Staying Engaged with Circuit Analysis Practice Exam

- Joining Online Reading Communities
 - Participating in Virtual Book Clubs
 - Following Authors and Publishers Circuit Analysis Practice Exam
9. Balancing eBooks and Physical Books Circuit Analysis Practice Exam
- Benefits of a Digital Library
 - Creating a Diverse Reading Collection Circuit Analysis Practice Exam
10. Overcoming Reading Challenges
- Dealing with Digital Eye Strain
 - Minimizing Distractions
 - Managing Screen Time
11. Cultivating a Reading Routine Circuit Analysis Practice Exam
- Setting Reading Goals Circuit Analysis Practice Exam
 - Carving Out Dedicated Reading Time
12. Sourcing Reliable Information of Circuit Analysis Practice Exam
- Fact-Checking eBook Content of Circuit Analysis Practice Exam
 - Distinguishing Credible Sources
13. Promoting Lifelong Learning
- Utilizing eBooks for Skill Development
 - Exploring Educational eBooks
14. Embracing eBook Trends
- Integration of Multimedia Elements
 - Interactive and Gamified eBooks

Circuit Analysis Practice Exam Introduction

In the digital age, access to information has become easier than ever before. The ability to download Circuit Analysis Practice Exam has revolutionized the way we consume written content. Whether you are a student looking for course material, an avid reader searching for your next favorite book, or a professional seeking research papers, the option to download Circuit Analysis Practice Exam has opened up a world of possibilities. Downloading Circuit Analysis Practice Exam provides numerous advantages over physical copies of books and documents. Firstly, it is incredibly convenient. Gone are the days of carrying around heavy textbooks or bulky folders filled with papers. With the click of a button, you can gain immediate

access to valuable resources on any device. This convenience allows for efficient studying, researching, and reading on the go. Moreover, the cost-effective nature of downloading Circuit Analysis Practice Exam has democratized knowledge. Traditional books and academic journals can be expensive, making it difficult for individuals with limited financial resources to access information. By offering free PDF downloads, publishers and authors are enabling a wider audience to benefit from their work. This inclusivity promotes equal opportunities for learning and personal growth. There are numerous websites and platforms where individuals can download Circuit Analysis Practice Exam. These websites range from academic databases offering research papers and journals to online libraries with an expansive collection of books from various genres. Many authors and publishers also upload their work to specific websites, granting readers access to their content without any charge. These platforms not only provide access to existing literature but also serve as an excellent platform for undiscovered authors to share their work with the world. However, it is essential to be cautious while downloading Circuit Analysis Practice Exam. Some websites may offer pirated or illegally obtained copies of copyrighted material. Engaging in such activities not only violates copyright laws but also undermines the efforts of authors, publishers, and researchers. To ensure ethical downloading, it is advisable to utilize reputable websites that prioritize the legal distribution of content. When downloading Circuit Analysis Practice Exam, users should also consider the potential security risks associated with online platforms. Malicious actors may exploit vulnerabilities in unprotected websites to distribute malware or steal personal information. To protect themselves, individuals should ensure their devices have reliable antivirus software installed and validate the legitimacy of the websites they are downloading from. In conclusion, the ability to download Circuit Analysis Practice Exam has transformed the way we access information. With the convenience, cost-effectiveness, and accessibility it offers, free PDF downloads have become a popular choice for students, researchers, and book lovers worldwide. However, it is crucial to engage in ethical downloading practices and prioritize personal security when utilizing online platforms. By doing so, individuals can make the most of the vast array of free PDF resources available and embark on a journey of continuous learning and intellectual growth.

FAQs About Circuit Analysis Practice Exam Books

How do I know which eBook platform is the best for me? Finding the best eBook platform depends on your reading preferences and device compatibility. Research different platforms, read user reviews, and explore their features before making a choice. Are free eBooks of good quality? Yes, many reputable platforms offer high-quality free eBooks, including classics and public domain works. However, make sure to verify the source to ensure the eBook credibility. Can I read eBooks without an eReader? Absolutely! Most eBook platforms offer web-based readers or mobile apps that allow you to read

eBooks on your computer, tablet, or smartphone. How do I avoid digital eye strain while reading eBooks? To prevent digital eye strain, take regular breaks, adjust the font size and background color, and ensure proper lighting while reading eBooks. What the advantage of interactive eBooks? Interactive eBooks incorporate multimedia elements, quizzes, and activities, enhancing the reader engagement and providing a more immersive learning experience. Circuit Analysis Practice Exam is one of the best book in our library for free trial. We provide copy of Circuit Analysis Practice Exam in digital format, so the resources that you find are reliable. There are also many Ebooks of related with Circuit Analysis Practice Exam. Where to download Circuit Analysis Practice Exam online for free? Are you looking for Circuit Analysis Practice Exam PDF? This is definitely going to save you time and cash in something you should think about.

Find Circuit Analysis Practice Exam :

e mini cooper italiano

[download epub book warhammer fantasy 8th edition rulebook](#)

[dumbstruck a cultural history of ventriloquism review](#)

dodge caravan troubleshooting guide

doosan dl08 diesel engine operation maintenance

download pdf perfect phrases for business proposals and

[e help panasonic](#)

[doppler shift lecture tutorial answers](#)

dmr eh55 service manual fleetforcepro

double displacement reaction answers

download britain for learners of english workbook james

[download using information technology 10e complete edition](#)

[download human biology concepts and current issues 7th edition pdf](#)

[download life span development 14th international edition](#)

[e carburador solex 32 34 z2](#)

Circuit Analysis Practice Exam :

airport engineering planning design saxena s c - Feb 28 2023

web 1 historical developments of aviation and aircrafts 2 airport terminology 3 planning of airports 4 site selection for

airports 5 orientation of runways 6 airport obstruction 7 geometric design of runways 8 geometric design of taxiways 9

airport aprons and holding bays 10 structural design of airport pavements 11 airport visual aids

[airport engineering planning design subhash c saxena](#) - Jan 30 2023

web 9788123915500 airport engineering planning design subhash c saxena cbs publishers distributors to meet the rapidly growing demands for domestic and international air travel civil airport engineers are going to face the challenging job of de
[airport engineering by saxena and arora deju lms currikistudio](#) - Jul 24 2022

web airport engineering by saxena and arora whispering the strategies of language an psychological journey through airport engineering by saxena and arora in a digitally driven world where displays reign great and quick communication drowns out the subtleties of language the profound techniques and

airport engineering saxena ams istanbul edu - Oct 07 2023

web a toolbox for watershed managers scientists and engineers development of a structural design procedure for rigid airport pavements planning design and development of 21st century airports

airport engineering saxena and arora copy deju lms currikistudio - Oct 27 2022

web reviewing airport engineering saxena and arora unlocking the spellbinding force of linguistics in a fast paced world fueled by information and interconnectivity the spellbinding force of linguistics has acquired newfound prominence

airport engineering by saxena and arora download only - May 02 2023

web airport engineering by saxena and arora development of a structural design procedure for rigid airport pavements recent developments upcoming technologies and new concepts volume 2

airport engineering by saxena and arora pdf im lms currikistudio - Nov 27 2022

web within the pages of airport engineering by saxena and arora a mesmerizing literary creation penned with a celebrated wordsmith readers set about an enlightening odyssey unraveling the intricate significance of language and its enduring effect on our lives

[airport engineering by saxena and arora pdf](#) - Mar 20 2022

web airport engineering by saxena isdownload airport engineering by saxena the term airport engineering saxena refers to layouts of exactly how a home or building is wired airport engineering saxena will likewise plot the course where wires will certainly be run throughout the st peter s engineering college hyderabad

[railway engineering saxena](#) - Feb 16 2022

web airport engineering railway track engineering intelligent transportation and planning breakthroughs in research and practice 2 railway engineering saxena 2020 09 18 also be read by the more perceptive general reader exploring books on railways please note taylor francis does not sell or distribute the hardback

pdf airport engineering planning design and development of - Sep 25 2022

web jun 7 2017 download airport engineering planning design and development of 21st century airports by norman j ashford saleh mumayiz paul h wright free download pdf is this material is helpful kindly share it rate it

airport engineering saxena deju lms currikistudio org - Aug 25 2022

web airport engineering saxena unveiling the magic of words a report on airport engineering saxena in a world defined by information and interconnectivity the enchanting power of words has acquired unparalleled significance their ability to kindle emotions provoke contemplation and ignite transformative change is actually awe

airport engineering saxena ams istanbul edu tr - Dec 29 2022

web 4 airport engineering saxena 2020 03 28 engineering airport engineering quiz part 1 civil engineering transportation engineering ii airport terminology by mr sanjay bhadke asst professor ce dept airport engineering basic to advanced airport site selection airport engineering

airport engineering by saxena and arora pdf free download - Aug 05 2023

web this new revised airport engineering by saxena and arora pdf free download the basic classroom text for airport planning and design shows professionals and students such key essentials as the structure and organization of air transport forecasting of air transport demand using both traditional and new methods airport systems planning

airport engineering planning design saxena s c - Jun 03 2023

web dec 30 2017 airport engineering planning design saxena s c on amazon com free shipping on qualifying offers airport engineering planning design

airport engineering by saxena and arora latopdf pro - Sep 06 2023

web file name airport engineering by saxena and arora pdf size 4250 kb type pdf epub ebook category book uploaded 2023 oct 08 02 23 rating 4 6 5 from 749 votes

airport engineering by saxena and arora 2023 deju - Apr 20 2022

web airport engineering by saxena and arora whispering the strategies of language an psychological quest through airport engineering by saxena and arora in a digitally driven world wherever screens reign great and immediate interaction drowns out the subtleties of language the profound techniques and mental nuances concealed within

saxena and arora railway engineering copy ams istanbul edu - May 22 2022

web airport engineering airport engineering irrigation and water resources engineering proceedings national seminar on development and co ordination of transportation 17 19 journal of the institution of engineers india saxena and arora railway engineering downloaded from ams istanbul edu tr by guest gretchen stewart a textbook of

airport engineering saxena ai classmonitor com - Jun 22 2022

web airport engineering saxena civil engineering practice structures railway engineering airport engineering planning design pb design for passenger transport development of a structural design procedure for rigid airport pavements aerotropolis repair rejuvenation and enhancement of concrete building construction

airport engineering planning design ebook amazon in - Jul 04 2023

web a very good book for airport engineering text is well written all the aspects of airport engineering like pavement design visual aids drainage etc are discussed

airport engineering planning and design pb 2020 amazon in - Apr 01 2023

web new delhi 1965 1966 professor saxena started his teaching as a tecturer of civil engineering at roorkee university indian institute of technology roorkee in 1967 he joined s v regional college of engineering and technology surat as asstt professor in 1970 he was sent as an expert to government of tanzania by government of india to

chapter 11 12 vocabulary list vocabulary com - Aug 27 2022

web oct 16 2011 sordid foul and run down and repulsive standardize cause to conform to a norm stint supply sparingly and with restricted quantities stringent demanding strict

chapter 11 classification chapter vocabulary review pdf - May 24 2022

web sep 17 2023 chapter 11 classification chapter vocabulary review 2 9 downloaded from uniport edu ng on september 17 2023 by guest engineering primarily focusing on

chapter 11 classification chapter vocabulary review uniport edu - Apr 22 2022

web may 8 2023 see guide chapter 11 classification chapter vocabulary review as you such as by searching the title publisher or authors of guide you in reality want you can

chapter 11 classification chapter vocabulary review pdf 2023 - Dec 31 2022

web introduction chapter 11 classification chapter vocabulary review pdf 2023 vocabulary instruction edward j kame enui 2012 03 28 this highly regarded work

chapter 11 classification chapter vocabulary re cpanel urbnleaf - Oct 09 2023

web chapter 11 classification chapter vocabulary re guidance for users united states patent and trademark office chapter 11 classification chapter vocabulary re 2

chapter 11 classification chapter vocabulary re 2023 wp publish - May 04 2023

web reviewing chapter 11 classification chapter vocabulary re unlocking the spellbinding force of linguistics in a fast paced world fueled by information and interconnectivity the

chapter 11 classification chapter vocabulary review full pdf - Jul 06 2023

web chapter 11 classification chapter vocabulary review classification adaptation invertebrates gr 5 8 oct 03 2021 this is the

chapter slice invertebrates from the

unit 11 classification vocabulary biology flashcards quizlet - Jun 05 2023

web start studying unit 11 classification vocabulary biology learn vocabulary terms and more with flashcards games and other study tools

chapter 11 vocabulary review flashcards quizlet - Aug 07 2023

web terms in this set 8 gender the classification of being male or female gender roles behaviors that tend to be associated with being male or female equal rights

chapter 11 classification chapter vocabulary review copy - Apr 03 2023

web sep 4 2023 chapter 11 classification chapter vocabulary review 1 10 downloaded from uniport edu ng on september 4 2023 by guest chapter 11 classification chapter

chapter 11 classification chapter vocabulary review - Feb 01 2023

web feb 24 2023 exercise just what we have the funds for below as without difficulty as review chapter 11 classification chapter vocabulary review what you gone to read

chapter 11 classification chapter vocabulary review - Jun 24 2022

web merely said the chapter 11 classification chapter vocabulary review is universally compatible like any devices to read princeton review ap english language

download solutions chapter 11 classification chapter - Sep 08 2023

web mar 27 2023 chapter 11 classification chapter vocabulary review as recognized adventure as skillfully as experience virtually lesson amusement as capably as concord

chapter 11 classification chapter vocabulary review pdf - Nov 17 2021

web revelation as competently as sharpness of this chapter 11 classification chapter vocabulary review pdf can be taken as well as picked to act words their way

chapter 11 classification chapter vocabulary review copy - Oct 29 2022

web chapter 11 classification chapter vocabulary review right here we have countless book chapter 11 classification chapter vocabulary review and collections to check

regresyon regression sınıflandırma classification nedir - Nov 29 2022

web feb 11 2021 regresyon bağımlı bir değişken ile bağımsız bir değişken arasındaki ilişkinin ortadan kaldırılması için kullanılan istatistiksel bir yöntemdir evet regresyonun bu teorik

chapter 11 classification chapter vocabulary review pdf - Jan 20 2022

web aug 14 2023 chapter 11 classification chapter vocabulary review 2 9 downloaded from uniport edu ng on august 14

2023 by guest well as an instructor website with lecture

chapter 11 classification chapter vocabulary review pdf - Feb 18 2022

web may 27 2023 chapter 11 classification chapter vocabulary review 1 9 downloaded from uniport edu ng on may 27 2023 by guest chapter 11 classification chapter

chapter 11 classification vocabulary review - Mar 02 2023

web mar 4 2023 exciting and engaging vocabulary instruction can set students on the path to a lifelong fascination with words this book provides a research based framework and

chapter 11 classification chapter vocabulary review pdf - Dec 19 2021

web mar 28 2023 chapter 11 classification chapter vocabulary review 2 8 downloaded from uniport edu ng on march 28 2023 by guest practice tests with complete explanations

klasifikasi nedir tipta klasifikasi ne demek doktordan - Sep 27 2022

web sep 23 2021 klasifikasi nedir klasifikasi sınıflandırma manasında kullanılmaktadır tıp dilinde çokça kullanılan kelimelerdendir herhangi bir tıbbi durumun

chapter 11 classification chapter vocabulary review pdf - Mar 22 2022

web chapter 11 classification chapter vocabulary review 3 9 downloaded from uniport edu ng on may 20 2023 by guest help beginning and intermediate students master the

class 11 biology chapter 2 biological classification ncert - Jul 26 2022

web jun 3 2020 cbse ncert class 11 biology chapter 2 biological classification in hindi admin june 3 2020 class 11 chapter 2 bio notes class 11 chapter 2 bio notes in hindi

9780891893523 manual of cytotechnology abebooks - Nov 06 2022

web manual of cytotechnology by keebler keebler ed catherine m at abebooks co uk isbn 10 0891893520 isbn 13 9780891893523 american society of clinical

michael kiebler munich center for neurosciences brain and - Nov 25 2021

web research focus the long term goal of the kieblerlab is to understand the molecular basis of synaptic plasticity in this context we are particularly interested in how individual

keebler manual of cytotechnology by o559 issuu - Aug 03 2022

web jan 3 2018 keebler manual of cytotechnology hmrljrzkqq pdf 50 pages 260 5 kb 02 oct 2013 table of content introduction brief description main topic technical

keebler manual of cytotechnology customizer monos com - Jun 01 2022

web keebler manual of cytotechnology downloaded from customizer monos com by guest isabel moreno the manual of

cytotechnology book 1993 worldcat org

keebler manual of cytotechnology pdf pdf black ortax - Oct 25 2021

web webkeebler manual of cytotechnology agnoleggio it manual of cytotechnology by keebler manual of cytotechnology

amazon co uk keebler keebler pdf

keebler manual of cytotechnology - Apr 30 2022

web apr 25 2023 keebler manual of cytotechnology can be taken as well as picked to act clinical cytotechnology dulce v coleman 1989 this study has been written primarily

cytology in gynecological disorders springerlink - Sep 04 2022

web in keebler cm reagan jw eds a manual of cytotechnology 6th edn american society of clinical pathologists chicago pp 229 230 google scholar

modulation of mouse neutrophil cytokine secretion by - Jan 28 2022

web aug 1 2004 previous studies have shown that klebsiella pneumoniae kle p is an immune function modulator for both neutrophils polymorphonuclear leukocytes pmn s and

the manual of cytotechnology google books - Jun 13 2023

web the manual of cytotechnology editors catherine m keebler theresa m somrak contributor american society of clinical pathologists edition 7 publisher ascp

manual of cytotechnology by keebler keebler ed catherine m - Feb 09 2023

web buy manual of cytotechnology by keebler keebler ed catherine m online on amazon ae at best prices fast and free shipping free returns cash on delivery available

manual of cytotechnology keebler keebler ed amazon co uk - Jan 08 2023

web manual of cytotechnology keebler keebler ed catherine m amazon co uk books

the manual of cytotechnology somrak theresa m keebler - Apr 11 2023

web jan 1 1993 the manual of cytotechnology somrak theresa m keebler catherine m 9780891893523 amazon com books books

the manual of cytotechnology by catherine m keebler goodreads - Mar 10 2023

web the updated edition of this manual the first was published in 1962 is one of the most up to the manual of cytotechnology by catherine m keebler goodreads home

the manual of cytotechnology free download borrow and - Aug 15 2023

web xv 464 pages 29 cm includes bibliographical references and index ethics and liability catherine m keebler theresa m somrak clinical cytology and cytotechnology

[keeblermanualofcytotechnology explore bryanu](#) - Dec 27 2021

web manual of cytotechnology elsevier india the periodic and timely revisions of shafer s textbook of oral pathology have brought out a treatise well conceived and written with

cytotechnology abebooks - Mar 30 2022

web manual of cytotechnology by keebler keebler catherine m ed and a great selection of related books art and collectibles available now at abebooks com

keebler author of manual of cytotechnology goodreads - Jul 02 2022

web keebler is the author of manual of cytotechnology 4 00 avg rating 1 rating 0 reviews published 1993

[the manual of cytotechnology open library](#) - Jul 14 2023

web nov 16 2020 the manual of cytotechnology 1993 ascp press in english 7th ed edited by catherine m keebler theresa m somrak 0891893520 9780891893523

[keebler manual of cytotechnology wrbb neu edu](#) - Feb 26 2022

web kindly say the keebler manual of cytotechnology is universally compatible with any devices to read keebler manual of cytotechnology 2022 12 26 santana audrina

the manual of cytotechnology worldcat org - May 12 2023

web authors catherine m keebler theresa m somrak american society of clinical pathologists print book english 1993 edition 7th ed view all formats and editions

catherine m keebler author of the manual of cytotechnology - Dec 07 2022

web catherine m keebler is the author of the manual of cytotechnology 4 00 avg rating 1 rating 0 reviews published 1993 and a manual of cytotechnology

[manual of cytotechnology by keebler catherine m keebler alibris](#) - Oct 05 2022

web manual of cytotechnology by keebler catherine m keebler alibris buy manual of cytotechnology by keebler catherine m keebler online at alibris we have new and