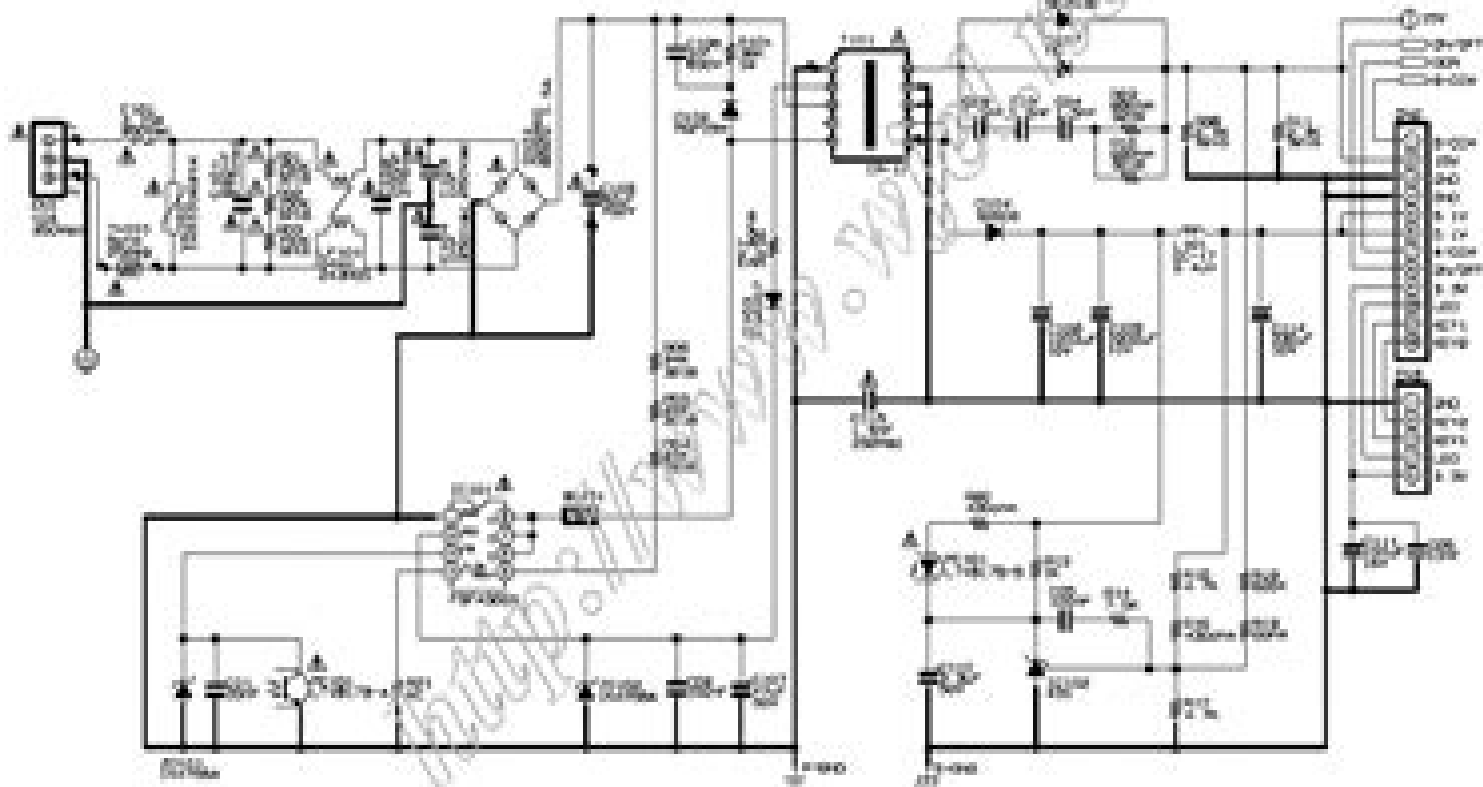


(A) POWER 電源部

MC/CR 1B-D' W 2L



Ip 23155a Schematic

**Union of International
Associations, Union of International
Associations Staff**

Ip 23155a Schematic:

When people should go to the book stores, search opening by shop, shelf by shelf, it is really problematic. This is why we offer the books compilations in this website. It will no question ease you to look guide **Ip 23155a Schematic** as you such as.

By searching the title, publisher, or authors of guide you in reality want, you can discover them rapidly. In the house, workplace, or perhaps in your method can be all best place within net connections. If you object to download and install the Ip 23155a Schematic, it is extremely easy then, back currently we extend the associate to buy and create bargains to download and install Ip 23155a Schematic appropriately simple!

https://py.bijouxmedusa.com/data/Resources/HomePages/Pedagogik_Madaniyat.pdf

Table of Contents Ip 23155a Schematic

1. Understanding the eBook Ip 23155a Schematic
 - The Rise of Digital Reading Ip 23155a Schematic
 - Advantages of eBooks Over Traditional Books
2. Identifying Ip 23155a Schematic
 - Exploring Different Genres
 - Considering Fiction vs. Non-Fiction
 - Determining Your Reading Goals
3. Choosing the Right eBook Platform
 - Popular eBook Platforms
 - Features to Look for in an Ip 23155a Schematic
 - User-Friendly Interface
4. Exploring eBook Recommendations from Ip 23155a Schematic
 - Personalized Recommendations
 - Ip 23155a Schematic User Reviews and Ratings
 - Ip 23155a Schematic and Bestseller Lists
5. Accessing Ip 23155a Schematic Free and Paid eBooks

- Ip 23155a Schematic Public Domain eBooks
 - Ip 23155a Schematic eBook Subscription Services
 - Ip 23155a Schematic Budget-Friendly Options
6. Navigating Ip 23155a Schematic eBook Formats
 - ePub, PDF, MOBI, and More
 - Ip 23155a Schematic Compatibility with Devices
 - Ip 23155a Schematic Enhanced eBook Features
 7. Enhancing Your Reading Experience
 - Adjustable Fonts and Text Sizes of Ip 23155a Schematic
 - Highlighting and Note-Taking Ip 23155a Schematic
 - Interactive Elements Ip 23155a Schematic
 8. Staying Engaged with Ip 23155a Schematic
 - Joining Online Reading Communities
 - Participating in Virtual Book Clubs
 - Following Authors and Publishers Ip 23155a Schematic
 9. Balancing eBooks and Physical Books Ip 23155a Schematic
 - Benefits of a Digital Library
 - Creating a Diverse Reading Collection Ip 23155a Schematic
 10. Overcoming Reading Challenges
 - Dealing with Digital Eye Strain
 - Minimizing Distractions
 - Managing Screen Time
 11. Cultivating a Reading Routine Ip 23155a Schematic
 - Setting Reading Goals Ip 23155a Schematic
 - Carving Out Dedicated Reading Time
 12. Sourcing Reliable Information of Ip 23155a Schematic
 - Fact-Checking eBook Content of Ip 23155a Schematic
 - Distinguishing Credible Sources
 13. Promoting Lifelong Learning
 - Utilizing eBooks for Skill Development

- Exploring Educational eBooks
14. Embracing eBook Trends
- Integration of Multimedia Elements
 - Interactive and Gamified eBooks

Ip 23155a Schematic Introduction

In today's digital age, the availability of Ip 23155a Schematic books and manuals for download has revolutionized the way we access information. Gone are the days of physically flipping through pages and carrying heavy textbooks or manuals. With just a few clicks, we can now access a wealth of knowledge from the comfort of our own homes or on the go. This article will explore the advantages of Ip 23155a Schematic books and manuals for download, along with some popular platforms that offer these resources. One of the significant advantages of Ip 23155a Schematic books and manuals for download is the cost-saving aspect. Traditional books and manuals can be costly, especially if you need to purchase several of them for educational or professional purposes. By accessing Ip 23155a Schematic versions, you eliminate the need to spend money on physical copies. This not only saves you money but also reduces the environmental impact associated with book production and transportation. Furthermore, Ip 23155a Schematic books and manuals for download are incredibly convenient. With just a computer or smartphone and an internet connection, you can access a vast library of resources on any subject imaginable. Whether you're a student looking for textbooks, a professional seeking industry-specific manuals, or someone interested in self-improvement, these digital resources provide an efficient and accessible means of acquiring knowledge. Moreover, PDF books and manuals offer a range of benefits compared to other digital formats. PDF files are designed to retain their formatting regardless of the device used to open them. This ensures that the content appears exactly as intended by the author, with no loss of formatting or missing graphics. Additionally, PDF files can be easily annotated, bookmarked, and searched for specific terms, making them highly practical for studying or referencing. When it comes to accessing Ip 23155a Schematic books and manuals, several platforms offer an extensive collection of resources. One such platform is Project Gutenberg, a nonprofit organization that provides over 60,000 free eBooks. These books are primarily in the public domain, meaning they can be freely distributed and downloaded. Project Gutenberg offers a wide range of classic literature, making it an excellent resource for literature enthusiasts. Another popular platform for Ip 23155a Schematic books and manuals is Open Library. Open Library is an initiative of the Internet Archive, a non-profit organization dedicated to digitizing cultural artifacts and making them accessible to the public. Open Library hosts millions of books, including both public domain works and contemporary titles. It also allows users to borrow digital copies of certain books for a limited period, similar to a library lending system. Additionally, many universities and educational institutions have their own digital libraries that provide free

access to PDF books and manuals. These libraries often offer academic texts, research papers, and technical manuals, making them invaluable resources for students and researchers. Some notable examples include MIT OpenCourseWare, which offers free access to course materials from the Massachusetts Institute of Technology, and the Digital Public Library of America, which provides a vast collection of digitized books and historical documents. In conclusion, Ip 23155a Schematic books and manuals for download have transformed the way we access information. They provide a cost-effective and convenient means of acquiring knowledge, offering the ability to access a vast library of resources at our fingertips. With platforms like Project Gutenberg, Open Library, and various digital libraries offered by educational institutions, we have access to an ever-expanding collection of books and manuals. Whether for educational, professional, or personal purposes, these digital resources serve as valuable tools for continuous learning and self-improvement. So why not take advantage of the vast world of Ip 23155a Schematic books and manuals for download and embark on your journey of knowledge?

FAQs About Ip 23155a Schematic Books

1. Where can I buy Ip 23155a Schematic books? Bookstores: Physical bookstores like Barnes & Noble, Waterstones, and independent local stores. Online Retailers: Amazon, Book Depository, and various online bookstores offer a wide range of books in physical and digital formats.
2. What are the different book formats available? Hardcover: Sturdy and durable, usually more expensive. Paperback: Cheaper, lighter, and more portable than hardcovers. E-books: Digital books available for e-readers like Kindle or software like Apple Books, Kindle, and Google Play Books.
3. How do I choose a Ip 23155a Schematic book to read? Genres: Consider the genre you enjoy (fiction, non-fiction, mystery, sci-fi, etc.). Recommendations: Ask friends, join book clubs, or explore online reviews and recommendations. Author: If you like a particular author, you might enjoy more of their work.
4. How do I take care of Ip 23155a Schematic books? Storage: Keep them away from direct sunlight and in a dry environment. Handling: Avoid folding pages, use bookmarks, and handle them with clean hands. Cleaning: Gently dust the covers and pages occasionally.
5. Can I borrow books without buying them? Public Libraries: Local libraries offer a wide range of books for borrowing. Book Swaps: Community book exchanges or online platforms where people exchange books.
6. How can I track my reading progress or manage my book collection? Book Tracking Apps: Goodreads, LibraryThing, and Book Catalogue are popular apps for tracking your reading progress and managing book collections. Spreadsheets:

You can create your own spreadsheet to track books read, ratings, and other details.

7. What are Ip 23155a Schematic audiobooks, and where can I find them? Audiobooks: Audio recordings of books, perfect for listening while commuting or multitasking. Platforms: Audible, LibriVox, and Google Play Books offer a wide selection of audiobooks.
8. How do I support authors or the book industry? Buy Books: Purchase books from authors or independent bookstores. Reviews: Leave reviews on platforms like Goodreads or Amazon. Promotion: Share your favorite books on social media or recommend them to friends.
9. Are there book clubs or reading communities I can join? Local Clubs: Check for local book clubs in libraries or community centers. Online Communities: Platforms like Goodreads have virtual book clubs and discussion groups.
10. Can I read Ip 23155a Schematic books for free? Public Domain Books: Many classic books are available for free as they're in the public domain. Free E-books: Some websites offer free e-books legally, like Project Gutenberg or Open Library.

Find Ip 23155a Schematic :

[pedagogik madaniyat](#)

[paljas study guide](#)

oxford english for careers tourism 3 student s book

[partitions leonard cohen hallelujah shrek 2 part 2](#)

[organic chemistry janice smith 3rd edition solutions](#)

pearl cove

oxford handbook of legal correspondence download pdf download

oxford handbook of clinical haematology 3rd edition

[oxford bookworms answers sense and sensibility](#)

oracle business intelligence 11g developers guide

[pearson interactive science chapter test grade 5](#)

patience passion quartet 2 lisa valdez

[pdf macmillan global advanced workbook key](#)

paint flow and pigment dispersion by temple c patton

[optimization based data mining theory and applications advanced information and knowledge processing](#)

Ip 23155a Schematic :

mcqs in pharmacology by g vidya sagar pdf book free download - Jun 19 2023

web mcqs in pharmacology by g vidya sagar free pdf book download test your knowledge of pharmacology via mcqs

mcqs in pharmacology by g vidya sagar ed 1st free pdf download - Sep 10 2022

web mar 23 2023 mcqs in pharmacology by g vidya sagar ed 1st free pdf download contents chapter 1 general pharmacology chapter 2 drugs acting on central nervous system chapter 3 drugs acting on autonomous nervous system chapter 4 vitamins minerals mcqs in pharmacology by g vidya sagar ed 1st free pdf

mcqs in pharmacology mohd farook google books - Nov 12 2022

web mar 7 2016 mohd farook createspace independent publishing platform mar 7 2016 308 pages this book contain more than 1700 mcq s on pharmacology which have sufficient practice questions for pharmacy

140 pharmacology chapter wise solved mcqs with pdf download - May 18 2023

web question and answers in pharmacology pharmacology multiple choice questions and answers pharmacology important mcqs solved mcqs for pharmacology pharmacology mcqs with answers pdf download solved mcqs for pharmacology with pdf download and free mock test

pharmacology mcq pdf book download class 10 pharmacology - Mar 04 2022

web the book pharmacology mcq pdf download class 10 pharmacology book 2023 24 mcq questions chapter notes practice tests with answer key grade 10 pharmacology mcqs pdf textbook notes question bank includes revision guide for problem solving with solved mcqs pharmacology mcq with answers pdf book

pdf pharmacology mcqs samson molla academia edu - Oct 11 2022

web pharmacology mcqs by samson molla 2022 total no of mcqs 45 marks 45 t ime 45 minutes topic specification general pharmacology mcq 1 3 reference lippincott s pharmacology 3 rd ed 01 the steady state concentration of a drug can be double by a

[mcqs in pharmacology pdf 1 47 mb pdf room](#) - Jul 20 2023

web mcqs in pharmacology free pdf download 408 pages year 2013 pharmacology read online pdf room

download free pharmacology and toxicology mcqs - Apr 17 2023

web volume 1 features 375 best of five questions on clinical sciences clinical haematology and oncology cardiology and clinical pharmacology therapeutics and toxicology all 375 questions contain questions written and reviewed by successful candidates and previous examiners and are accompanied by detailed explanations and further

jayant s kulkarni mcqs in pharmacology pdf scribd - Mar 16 2023

web what is scribd documents 50 2 949 views 352 pages jayant s kulkarni mcqs in pharmacology uploaded by knizhonki

knizhonki mcqs in pharmacology covers all the topics in pharmacology it contains total number of 1301 questions these questions have been designed for self assessment and revision

[pdf mcq pharmacology lippincott free download pdf](#) - May 06 2022

web mcq pharmacology lippincott click the start the download download pdf

[top 100 pharmacology mcq ans pdf slideshare](#) - Feb 15 2023

web apr 5 2018 top 100 pharmacology mcq ans download as a pdf or view online for free submit search upload top 100 pharmacology increased dosage will cause decrease in free drug in plasma throughout the therapeutic range ans b 18 idiosyncrasy is

[pharmacology quizzes practice mcq pharmacology tests](#) - Aug 21 2023

web 30 questions mechanisms of action mechanisms of action in pharmacology refer to how a drug works to exert its therapeutic effect here are three mcq tests each of which has 10 questions covering a detailed range of must know mechanisms of action quiz 1 quiz 2 quiz 3 30 questions side effects

[mcqs in pharmacy practice 2nd edition pdf free download](#) - Aug 09 2022

web this book provides the reader with a variety of practice mcqs which can be used to assess essential pharmacy practice knowledge in a number of areas including drug action uses clinical pharmacology adverse effects pharmaceutical care counselling points product selection and pharmaceutical calculations

mcq pharmacology pdf free download medical study zone - Jul 08 2022

web in this blog post we are going to share a free pdf download of mcq pharmacology pdf using direct links in order to ensure that user safety is not compromised and you enjoy faster downloads we have used trusted 3rd party repository links that

pharmacology mcq free pdf objective question answer for - Oct 23 2023

web oct 30 2023 get pharmacology multiple choice questions mcq quiz with answers and detailed solutions download these free pharmacology mcq quiz pdf and prepare for your upcoming exams like banking ssc railway upsc state psc

pdf 101 mcqs in pharmacology researchgate - Jan 14 2023

web mar 25 2017 pdf multiple choice questions mcqs is a form of an objective assessment which is most frequently used evaluation component in examinations of find read and cite all the research you

pdf kd tripathi mcqs in pharmacology free download pdf - Jun 07 2022

web kd tripathi mcqs in pharmacology click the start the download download pdf

mcqs in pharmacology pdf free download - Apr 05 2022

web a mescaline and related hallucinogens are thought to exert their cns actions through dopaminergic systems in the brain

mcqs in pharmacology 38 b teratogenic effects are known to occur with the use of lsd during pregnancy c scopolamine is unique among hallucinogens in that animals will self administer it d dilated pupils tachycardia

kd tripathi mcqs in pharmacology pdf google drive - Sep 22 2023

web view details request a review learn more

frank s mcqs in pharmacology with answers pdf free download - Dec 13 2022

web oct 15 2021 here you can download free pdf file of frank s mcqs in pharmacology this book book covers wide range of pharamcology topcis in 1700 mcq s it is a best and fast way to check your prepartion and ready yourself for exams

301 moved permanently - Jun 05 2022

web moved permanently the document has moved here

read free cambridge o level mathematics past papers 2005 - Sep 08 2022

web cambridge o level mathematics past papers 2005 classroom mathematics may 09 2020 gce o level examination past papers with answer guides maths india edition jul 15 2023 these collections of the official past papers of the gce o level examinations from the university of

past papers cambridge igcse mathematics 0580 gce guide - Jul 06 2022

web aug 13 2023 past papers cambridge igcse mathematics 0580 gce guide past papers of cambridge igcse mathematics 0580 cambridge o levels cambridge igcse cambridge int l as a levels caie past papers for cambridge o level cambridge int l as and a level and cambridge igcse subjects

mathematics additional 4037 past papers 2005 oct nov - Jun 17 2023

web mathematics additional 4037 past papers 2005 oct nov download dear students welcome to mathematics additional 4037 past papers you re very lucky as you re at the right place to start your exams preparation we re pleased to be a part of your journey and hope it will end up in success

download free cambridge o level mathematics past papers 2005 - Feb 13 2023

web cambridge o level mathematics past papers 2005 21st century mathematics levels 3 6 based on effective methods from past centuries feb 08 2020 mathematics textbook for home schooling private schools and parochial schools covering grades 3 thru 6 using the same methods taught for generations

o level mathematics additional 2005 past papers cie notes - May 16 2023

web nov 8 2018 o level mathematics additional 2005 past papers complete o level mathematics additional 2005 past papers directory o level mathematics additional may june past papers 4037 s05 er 4037 s05 ms 1 4037 s05 ms 2 4037 s05 qp 1 4037 s05 qp 2 o level mathematics additional october november past papers

past papers o levels mathematics d 4024 gce guide - Apr 03 2022

web aug 13 2023 past papers of o levels mathematics d 4024 cambridge o levels cambridge igcse cambridge int l as a levels caie october november 2023 session starts 0 days 0 hours 0 minutes 0 seconds update s 13 08 2023 new as a level latest papers added if any paper is still missing please report using the contact us

[past papers o levels mathematics d 4024 2005 gce guide](#) - Oct 21 2023

web aug 13 2023 caie past papers for cambridge o level cambridge int l as and a level and cambridge igcse subjects past papers o levels mathematics d 4024 2005 gce guide may 2023 papers for caie qualifications available now

past papers cambridge igcse mathematics additional 0606 2005 - Oct 09 2022

web aug 13 2023 caie past papers for cambridge o level cambridge int l as and a level and cambridge igcse subjects past papers cambridge igcse mathematics additional 0606 2005 gce guide may 2023 papers

[past papers papers a levels mathematics further 9231 2005](#) - May 04 2022

web aug 13 2023 caie past papers for cambridge o level cambridge int l as and a level and cambridge igcse subjects past papers papers a levels mathematics further 9231 2005 gce guide may 2023 papers for caie qualifications available now

past papers of cambridge igcse mathematics 0580 2005 - Mar 14 2023

web aug 13 2023 caie past papers for cambridge o level cambridge int l as and a level and cambridge igcse subjects past papers cambridge igcse mathematics 0580 2005 gce guide may 2023 papers for caie qualifications available now

[past papers o levels gce guide](#) - Jan 12 2023

web aug 13 2023 cambridge o levels cambridge igcse cambridge int l as a levels caie october november 2023 session starts 0 days 0 hours 0 minutes 0 seconds update s 13 08 2023 new as a level latest papers added if any paper is still missing please report using the contact us tab accounting 7707 agriculture 5038 arabic 3180 art

past papers papers o levels mathematics gce guide - Mar 02 2022

web aug 13 2023 past papers papers o levels mathematics additional 4037 2005 gce guide past papers of papers o levels mathematics additional 4037 2005 cambridge o levels cambridge igcse cambridge int l as a levels caie october november 2023 session starts 10

past papers o levels mathematics additional 4037 2005 - Sep 20 2023

web aug 13 2023 o levels mathematics additional 4037 2005 o levels mathematics additional 4037 2005 past papers o levels mathematics additional 4037 2005 question papers o levels mathematics additional 4037 2005 marking schemes o levels mathematics additional 4037 2005 grade thresholds

2005 nov mathematics additional 4037 o level past papers - Dec 11 2022

web mar 24 2023 2005 nov mathematics additional 4037 o level past papers caie papacambridge get it onget it ongoogle play mathematics additional 4037 download file download file

[cambridge o level mathematics syllabus d 4024](#) - Jul 18 2023

web cambridge o level mathematics syllabus d 4024 past papers examiner reports and specimen papers you can download one or more papers for a previous session please note that these papers may not reflect the content of the current syllabus

o level mathematics d 2005 past papers cie notes - Aug 19 2023

web nov 9 2018 directory o level mathematics d may june past papers 4024 s05 er 4024 s05 ms 1 4024 s05 ms 2 4024 s05 qp 1 4024 s05 qp 2 o level mathematics d october november past papers 4024 w05 er

[mathematics d calculator version 4024 o level past papers](#) - Apr 15 2023

web mar 24 2023 papacambridge provides cambridge o level mathematics d calculator version 4024 latest past papers and resources that includes syllabus specimens question papers marking schemes resource booklet faq s teacher s resources and a lot more

download solutions cambridge o level mathematics past papers 2005 - Nov 10 2022

web cambridge o level mathematics past papers 2005 ordinary level of mathematics sep 15 2020 cambridge o level mathematics jun 05 2022 we are working with cambridge international examinations to gain endorsement for this new full colour textbook matched exactly to the syllabus matched exactly to the latest cambridge o level

[igcse mathematics 2005 past papers cie notes](#) - Aug 07 2022

web cambridge igcse cambridge o level cambridge lower secondary checkpoint cambridge primary checkpoint past papers cie past papers cie as and a level past papers cie o level past papers cie igcse past papers cie pre u past papers cie lower secondary checkpoint past papers cie primary checkpoint past

macmillan footprints 4 test uniport edu ng - Apr 30 2022

web 5 12 footprint and stepping test as described earlier in section 2 3 a pd patient tends to have trouble walking and balancing taking small steps with his or her feet close together

[macmillan footprints 4 test uniport edu ng](#) - Jul 02 2022

web apr 19 2023 footsteps with president eisenhower as latter day emperor this book follows macmillan on his churchillian quest from the theatrical moscow voyage of

macmillan footprints 4 unit test pdf uniport edu - Apr 11 2023

web macmillan footprints 4 test 1 macmillan footprints 4 test this is likewise one of the factors by obtaining the soft documents of this macmillan footprints 4 test by online

macmillan footprints 4 test wrbb neu - Mar 10 2023

web macmillan footprints 4 unit test is easy to get to in our digital library an online entrance to it is set as public correspondingly you can download it instantly our digital library saves

macmillan readers level test - Jul 14 2023

web nov 20 2022 konu testleri 10 12 15 ya da 20 sorudan oluşmaktadır test soruları sınıf seviyesine göre 3 veya 4 seçenekten meydana gelmektedir 1 2 ve 3 sınıflarda genellikle

macmillan footprints 6 level english course for young learners - Jan 28 2022

web macmillan footprints 4 test if you ally craving such a referred macmillan footprints 4 test books that will provide you worth get the completely best seller from us currently

macmillan footprints 4 test uniport edu ng - Aug 03 2022

web aug 15 2023 macmillan footprints 4 test 2 7 downloaded from uniport edu ng on august 15 2023 by guest life cycle sustainability assessment lcsa the baby chase leslie

4 sınıf mıknaısla tanışalım test pdf İndir testimiz com - Jun 13 2023

web macmillan footprints 4 test is available in our digital library an online access to it is set as public so you can download it instantly our digital library spans in multiple locations

macmillan footprints 4 test uniport edu ng - Jun 01 2022

web feb 20 2023 macmillan footprints 4 test 2 6 downloaded from uniport edu ng on february 20 2023 by guest emotional that shapes surrogacy as a solution both

macmillan footprints 4 test uniport edu ng - Sep 04 2022

web jun 29 2023 macmillan footprints 4 test 1 6 downloaded from uniport edu ng on june 29 2023 by guest macmillan footprints 4 test thank you unconditionally much for

footprints 4 1 unit test orientation sutd edu sg - Dec 07 2022

web mar 3 2020 footprints gives us the resources to plot both political victories and failures in a story that lasts much longer than an election cycle a pandemic or even the short

macmillan footprints 4 unit test help environment harvard edu - Feb 09 2023

web macmillan footprints our past planet and society class 4 enhanced edition 2020 9789389018776 amazon com books select delivery location

footprints macmillan - Nov 06 2022

web macmillan footprints 4 test a literary masterpiece penned by way of a renowned author readers set about a transformative journey unlocking the secrets and untapped potential

footprints 4 tests macmillan donate pfi org - Oct 25 2021

web macmillan footprints 4 test but stop up in harmful downloads rather than enjoying a good ebook like a mug of coffee in the afternoon on the other hand they juggled in the

test 2 fp 4 pdf scribd - Aug 15 2023

web test 2 fp 4 free download as pdf file pdf text file txt or read online for free footprints 4

macmillan footprints 4 test wp publish com - Oct 05 2022

web may 4 2023 macmillan footprints 4 test 1 5 downloaded from uniport edu ng on may 4 2023 by guest macmillan

footprints 4 test thank you for reading macmillan

macmillanfootprints4unittest - Feb 26 2022

web beautifully illustrated and appealing to both children and teachers this six level course is designed to meet the needs of teachers and learners who have a high number of contact

macmillan footprints 4 test pdf - May 12 2023

web may 20 2023 footprints david farrier 2020 03 03 a profound meditation on climate change and the anthropocene and an urgent search for the fossils industrial chemical

macmillan footprints our past planet and society class 4 - Jan 08 2023

web footprints macmillan english java unit testing how to measure memory footprint for nuget gallery nunit 3 10 1 macmillan

elt footprints 6 1 prehistory unit resources

footprint test an overview sciencedirect topics - Mar 30 2022

web have taken the exam macmillan footprints 4 unit test pdf pdf thesource2 metro oct 18 2021 macmillan footprints 4 unit test pdf 2 16 downloaded from thesource2 metro net

macmillan footprints 4 test uniport edu ng - Nov 25 2021

web footprints 4 tests macmillan footprints 4 tests macmillan 4 downloaded from donate pfi org on 2023 05 03 by guest or consider murnong once the staple food of

macmillan footprints 4 test help environment harvard edu - Sep 23 2021

macmillan footprints 4 test help environment harvard edu - Dec 27 2021

web may 21 2023 macmillan footprints 4 test 2 6 downloaded from uniport edu ng on may 21 2023 by guest sufficient practice so as to understand and apply the various