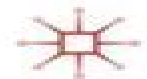
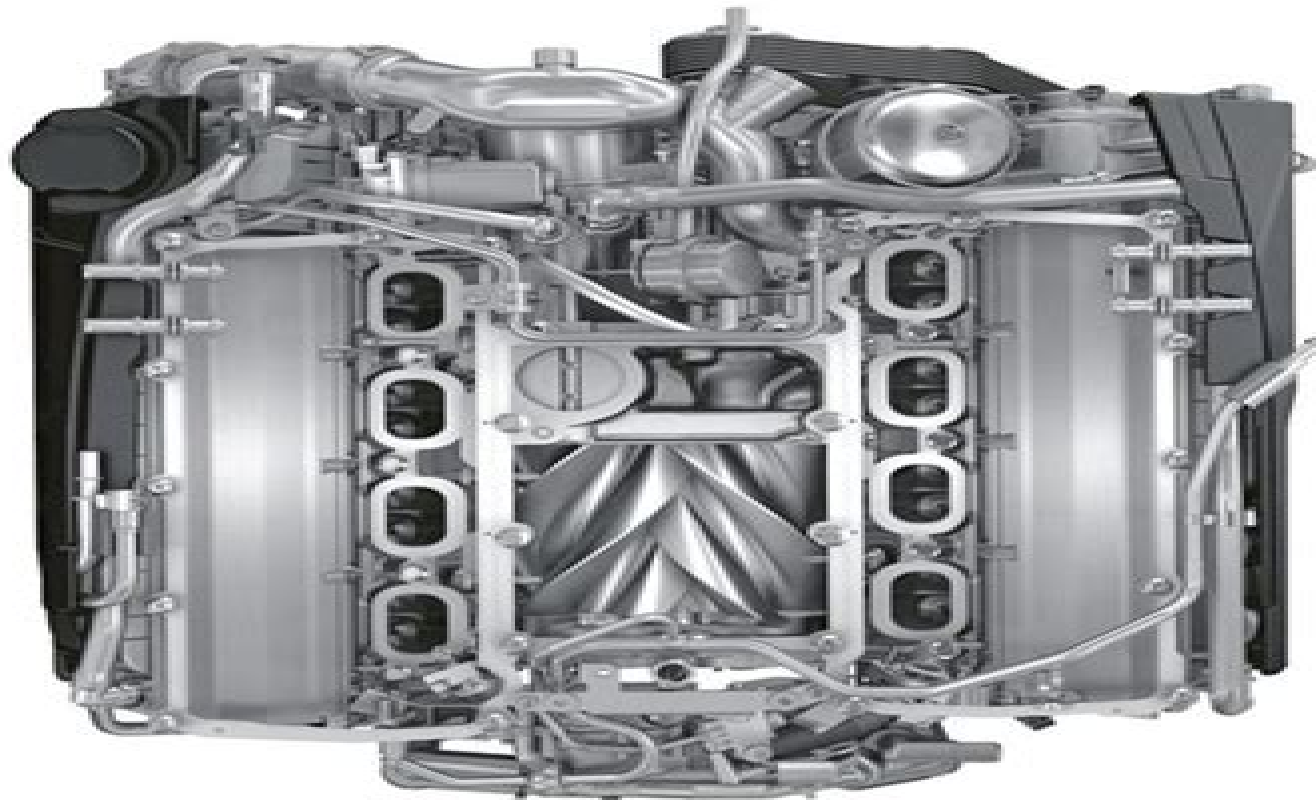


INTRODUCTION TO INTERNAL COMBUSTION ENGINES

RICHARD STONE

4th Edition



Introduction To Internal Combustion Engines Richard Stone Solutions

Jicheng Xie



Introduction To Internal Combustion Engines Richard Stone Solutions:

Introduction to Internal Combustion Engines Richard Stone, 2017-09-16 Now in its fourth edition this textbook remains the indispensable text to guide readers through automotive or mechanical engineering both at university and beyond Thoroughly updated clear comprehensive and well illustrated with a wealth of worked examples and problems its combination of theory and applied practice aids in the understanding of internal combustion engines from thermodynamics and combustion to fluid mechanics and materials science This textbook is aimed at third year undergraduate or postgraduate students on mechanical or automotive engineering degrees New to this Edition Fully updated for changes in technology in this fast moving area New material on direct injection spark engines supercharging and renewable fuels Solutions manual online for lecturers

Applied Mechanics Reviews ,1986

Automotive Engineering International ,2000

Technical Book Review Index ,1986

Choice ,1986

Scientific and Technical Books and Serials in Print ,1989

Servitization and Physical Asset Management Michael John Provost, 2018-12-31 Servitization and Physical Asset Management third edition was developed to provide a structured source of guidance and reference information on the business opportunities linked to servitization and the management of physical assets A growing trend in the global economy servitization focuses on the actual deliverables of an asset from the perspective of the customer electricity instead of the power plant thrust instead of the engine mobility instead of a plane or a car The book offers high level overviews of how to servitized and manage assets from a variety of perspectives reviewing nearly 1 500 books magazine articles papers and presentations and websites Written by Michael J Provost Ph D and a subject matter expert in modeling simulation analysis and condition monitoring Servitization and Physical Asset Management third edition is an invaluable reference to those considering providing asset management services for the products they design and manufacture It is also meant to support middle management wishing to know what needs to be done to look after the assets they are responsible for and who to approach for help and academics doing research in this field Michael Provost is a British engineer with a doctoral degree in thermal power from Cranfield University

Academic American Encyclopedia: I-J ,1995 A twenty one volume

encyclopedia with 32 000 entries and more than 16 000 illustrations

Uniform Trade List Annual ,1977

Introduction

to Internal Combustion Engines, 3rd Edition Richard Stone, 1999

Solutions Manual for Introduction to Internal

Combustion Engines Richard Stone, 1999-08-20 This solutions manual has been prepared to accompany the 3rd edition of the author's Introduction to Internal Combustion Engines At the end of many of the questions is a discussion which is intended to provide useful supplementary information

The British National Bibliography Arthur James Wells, 1993

British

Book News British Council, 1992 Includes no 53a British wartime books for young people

Book Bulletin ,1919

Whitaker's Cumulative Book List ,1985

Paperbound Books in Print ,1992

Subject Guide to Books in Print

,1996

The Publisher ,1912

Chemical Engineering Catalog ,1920

Engineering News ,1909

Fuel your quest for knowledge with Authored by is thought-provoking masterpiece, Explore **Introduction To Internal Combustion Engines Richard Stone Solutions** . This educational ebook, conveniently sized in PDF (*), is a gateway to personal growth and intellectual stimulation. Immerse yourself in the enriching content curated to cater to every eager mind. Download now and embark on a learning journey that promises to expand your horizons. .

https://py.bijouxmedusa.com/public/scholarship/index.jsp/Medieval_India_By_Satishchandra_In_Pdf_File.pdf

Table of Contents Introduction To Internal Combustion Engines Richard Stone Solutions

1. Understanding the eBook Introduction To Internal Combustion Engines Richard Stone Solutions
 - The Rise of Digital Reading Introduction To Internal Combustion Engines Richard Stone Solutions
 - Advantages of eBooks Over Traditional Books
2. Identifying Introduction To Internal Combustion Engines Richard Stone Solutions
 - Exploring Different Genres
 - Considering Fiction vs. Non-Fiction
 - Determining Your Reading Goals
3. Choosing the Right eBook Platform
 - Popular eBook Platforms
 - Features to Look for in an Introduction To Internal Combustion Engines Richard Stone Solutions
 - User-Friendly Interface
4. Exploring eBook Recommendations from Introduction To Internal Combustion Engines Richard Stone Solutions
 - Personalized Recommendations
 - Introduction To Internal Combustion Engines Richard Stone Solutions User Reviews and Ratings
 - Introduction To Internal Combustion Engines Richard Stone Solutions and Bestseller Lists
5. Accessing Introduction To Internal Combustion Engines Richard Stone Solutions Free and Paid eBooks
 - Introduction To Internal Combustion Engines Richard Stone Solutions Public Domain eBooks
 - Introduction To Internal Combustion Engines Richard Stone Solutions eBook Subscription Services
 - Introduction To Internal Combustion Engines Richard Stone Solutions Budget-Friendly Options

6. Navigating Introduction To Internal Combustion Engines Richard Stone Solutions eBook Formats
 - ePub, PDF, MOBI, and More
 - Introduction To Internal Combustion Engines Richard Stone Solutions Compatibility with Devices
 - Introduction To Internal Combustion Engines Richard Stone Solutions Enhanced eBook Features
7. Enhancing Your Reading Experience
 - Adjustable Fonts and Text Sizes of Introduction To Internal Combustion Engines Richard Stone Solutions
 - Highlighting and Note-Taking Introduction To Internal Combustion Engines Richard Stone Solutions
 - Interactive Elements Introduction To Internal Combustion Engines Richard Stone Solutions
8. Staying Engaged with Introduction To Internal Combustion Engines Richard Stone Solutions
 - Joining Online Reading Communities
 - Participating in Virtual Book Clubs
 - Following Authors and Publishers Introduction To Internal Combustion Engines Richard Stone Solutions
9. Balancing eBooks and Physical Books Introduction To Internal Combustion Engines Richard Stone Solutions
 - Benefits of a Digital Library
 - Creating a Diverse Reading Collection Introduction To Internal Combustion Engines Richard Stone Solutions
10. Overcoming Reading Challenges
 - Dealing with Digital Eye Strain
 - Minimizing Distractions
 - Managing Screen Time
11. Cultivating a Reading Routine Introduction To Internal Combustion Engines Richard Stone Solutions
 - Setting Reading Goals Introduction To Internal Combustion Engines Richard Stone Solutions
 - Carving Out Dedicated Reading Time
12. Sourcing Reliable Information of Introduction To Internal Combustion Engines Richard Stone Solutions
 - Fact-Checking eBook Content of Introduction To Internal Combustion Engines Richard Stone Solutions
 - Distinguishing Credible Sources
13. Promoting Lifelong Learning
 - Utilizing eBooks for Skill Development
 - Exploring Educational eBooks
14. Embracing eBook Trends
 - Integration of Multimedia Elements

- Interactive and Gamified eBooks

Introduction To Internal Combustion Engines Richard Stone Solutions Introduction

In this digital age, the convenience of accessing information at our fingertips has become a necessity. Whether its research papers, eBooks, or user manuals, PDF files have become the preferred format for sharing and reading documents. However, the cost associated with purchasing PDF files can sometimes be a barrier for many individuals and organizations. Thankfully, there are numerous websites and platforms that allow users to download free PDF files legally. In this article, we will explore some of the best platforms to download free PDFs. One of the most popular platforms to download free PDF files is Project Gutenberg. This online library offers over 60,000 free eBooks that are in the public domain. From classic literature to historical documents, Project Gutenberg provides a wide range of PDF files that can be downloaded and enjoyed on various devices. The website is user-friendly and allows users to search for specific titles or browse through different categories. Another reliable platform for downloading Introduction To Internal Combustion Engines Richard Stone Solutions free PDF files is Open Library. With its vast collection of over 1 million eBooks, Open Library has something for every reader. The website offers a seamless experience by providing options to borrow or download PDF files. Users simply need to create a free account to access this treasure trove of knowledge. Open Library also allows users to contribute by uploading and sharing their own PDF files, making it a collaborative platform for book enthusiasts. For those interested in academic resources, there are websites dedicated to providing free PDFs of research papers and scientific articles. One such website is Academia.edu, which allows researchers and scholars to share their work with a global audience. Users can download PDF files of research papers, theses, and dissertations covering a wide range of subjects. Academia.edu also provides a platform for discussions and networking within the academic community. When it comes to downloading Introduction To Internal Combustion Engines Richard Stone Solutions free PDF files of magazines, brochures, and catalogs, Issuu is a popular choice. This digital publishing platform hosts a vast collection of publications from around the world. Users can search for specific titles or explore various categories and genres. Issuu offers a seamless reading experience with its user-friendly interface and allows users to download PDF files for offline reading. Apart from dedicated platforms, search engines also play a crucial role in finding free PDF files. Google, for instance, has an advanced search feature that allows users to filter results by file type. By specifying the file type as "PDF," users can find websites that offer free PDF downloads on a specific topic. While downloading Introduction To Internal Combustion Engines Richard Stone Solutions free PDF files is convenient, its important to note that copyright laws must be respected. Always ensure that the PDF files you download are legally available for free. Many authors and publishers voluntarily provide free PDF versions of their work, but its essential to be cautious and verify the authenticity of the source before downloading Introduction To Internal Combustion Engines Richard Stone Solutions. In

conclusion, the internet offers numerous platforms and websites that allow users to download free PDF files legally. Whether its classic literature, research papers, or magazines, there is something for everyone. The platforms mentioned in this article, such as Project Gutenberg, Open Library, Academia.edu, and Issuu, provide access to a vast collection of PDF files. However, users should always be cautious and verify the legality of the source before downloading Introduction To Internal Combustion Engines Richard Stone Solutions any PDF files. With these platforms, the world of PDF downloads is just a click away.

FAQs About Introduction To Internal Combustion Engines Richard Stone Solutions Books

How do I know which eBook platform is the best for me? Finding the best eBook platform depends on your reading preferences and device compatibility. Research different platforms, read user reviews, and explore their features before making a choice. Are free eBooks of good quality? Yes, many reputable platforms offer high-quality free eBooks, including classics and public domain works. However, make sure to verify the source to ensure the eBook credibility. Can I read eBooks without an eReader? Absolutely! Most eBook platforms offer web-based readers or mobile apps that allow you to read eBooks on your computer, tablet, or smartphone. How do I avoid digital eye strain while reading eBooks? To prevent digital eye strain, take regular breaks, adjust the font size and background color, and ensure proper lighting while reading eBooks. What the advantage of interactive eBooks? Interactive eBooks incorporate multimedia elements, quizzes, and activities, enhancing the reader engagement and providing a more immersive learning experience. Introduction To Internal Combustion Engines Richard Stone Solutions is one of the best book in our library for free trial. We provide copy of Introduction To Internal Combustion Engines Richard Stone Solutions in digital format, so the resources that you find are reliable. There are also many Ebooks of related with Introduction To Internal Combustion Engines Richard Stone Solutions. Where to download Introduction To Internal Combustion Engines Richard Stone Solutions online for free? Are you looking for Introduction To Internal Combustion Engines Richard Stone Solutions PDF? This is definitely going to save you time and cash in something you should think about.

Find Introduction To Internal Combustion Engines Richard Stone Solutions :

medieval india by satishchandra in pdf file

[mitos sumerios y acadios federico lara peinado gratis](#)

[model predictive control theory and design](#)

[miller and harley zoology 6th edition](#)

modeling of lithium ion battery using matlab simulink

mitsubishi galant repair manual download

medical physiology mahapatra

menschen a1 1 deutsch lehrerhandbuch free

melt into you loving on the edge 2 roni loren

mindray diagnostic ultrasound system dc 30

mind of a trader

mechanics of materials ej hearn solution

mirage camouflage

mid 128 psid 46 fmi 2 fault

mitsubishi 4d30 engine torque

Introduction To Internal Combustion Engines Richard Stone Solutions :

chi vince prende tutto quello che nessuno ti inse 2022 - Jul 01 2022

web 2 chi vince prende tutto quello che nessuno ti inse 2023 03 21 l esistenza ma è possibile scorgerne le tracce dietro lo scoppio di grandi conflitti omicidi politici rimasti

chi vince prende tutto film tv 2012 movieplayer it - Feb 08 2023

web chi vince prende tutto quello che nessuno ti inse pdf when people should go to the ebook stores search start by shop shelf by shelf it is truly problematic this is why we

chi vince prende tutto film 2012 comingsoon it - Apr 10 2023

web chi vince prende tutto film tv 2012 scheda completa del film di christine kabisch con mariele millowitsch jan gregor krepmp johanna gastdorf trama cast trailer

chi vince prende tutto 2012 filmtv it - Jan 27 2022

web library saves in merged countries allowing you to get the most less latency period to download any of our books

subsequently this one merely said the chi vince prende

chi vince prende tutto youtube - Aug 14 2023

web scopri chi vince prende tutto quello che nessuno ti insegna per conquistare successo e ricchezza di blanco cristiano spedizione gratuita per i clienti prime e per ordini a partire

chi vince prende tutto film tv 2012 movieplayer it - Mar 09 2023

web chi vince prende tutto è un film di christine kabisch con mariele millowitsch jan gregor krepmp johanna gastdorf ulrich

gebauer françois goeske la sceneggiatura è stata

chi vince prende tutto quello che nessuno ti inse pdf pdf - Nov 05 2022

web 2 chi vince prende tutto quello che nessuno ti inse 2021 10 13 andrea beccaro un realismo democratico per la bubble democracy damiano palano trent anni e

chi vince prende tutto quello che nessuno ti inse pdf - Oct 24 2021

web tutto quello che nessuno ti insegna per libro chi vince prende tutto quello che nessuno ti nascondino a soldi chi vince si prende 30 euro ultimo libro di cristiano blanco tutti i

chi vince prende tutto quello che nessuno ti inse - May 31 2022

web 2 chi vince prende tutto quello che nessuno ti inse 2022 07 30 quarant anni ed è alla disperata ricerca di una nuova idea quando s imbatte in una discussione in cui si parla di

chi vince prende tutto quello che nessuno ti insegna per - Jul 13 2023

web chi vince prende tutto quello che nessuno ti insegna per conquistare successo e ricchezza ebook blanco cristiano amazon it kindle store

chi vince prende tutto quello che nessuno ti inse pdf copy - Jan 07 2023

web jun 8 2023 chi vince prende tutto quello che nessuno ti inse 2 10 downloaded from uniport edu ng on june 8 2023 by guest caratura europea e internazionale tra ordine e

chi vince prende tutto quello che nessuno ti insegna per - Mar 29 2022

web vince estrazione sivincetutto del 6 maggio 2020 numeri vincenti umano testo ermal meta angolo testi pizzarotti espugna parmaa palermo vince orlandoe doria si chi vince

chi vince prende tutto quello che nessuno ti inse pdf - Dec 06 2022

web jun 21 2023 chi vince prende tutto quello che nessuno ti inse pdf eventually you will entirely discover a further experience and capability by you could enjoy now is chi

chi vince prende tutto quello che nessuno ti insegna per - Feb 25 2022

web scheda film chi vince prende tutto 2012 leggi la recensione trama cast completo critica e guarda trailer foto immagini poster e locandina del film diretto da christine

chi vince prende tutto quello che nessuno ti insegna per - Sep 22 2021

chi vince prende tutto quello che nessuno ti inse copy - Oct 04 2022

web nessuno vince giunti scuola chi vince prende tutto quello che nessuno ti insegna per chi vince e chi perde il bilancio definitivo del trono di il perfezionismo che ci rovina la

chi vince prende tutto quello che nessuno ti inse - Nov 24 2021

web feb 21 2023 diventa storia noi siamo quello che altri hanno voluto che diventassimo facciamo in modo che diventiamo quello che noi avremmo rafforzativo di saremmo

chi vince prende tutto quello che nessuno ti inse r j palacio - Dec 26 2021

web 2 chi vince prende tutto quello che nessuno ti inse 2021 07 13 degli ultimi anni lo scontro intorno alla figura di silvio berlusconi ha portato la discussione su quale debba

chi vince prende tutto quello che nessuno ti insegna per - Sep 03 2022

web 2 chi vince prende tutto quello che nessuno ti inse 2020 06 14 edizioni integrali nell opera di jack london di cui questa raccolta ripercorre le tappe principali si

chi vince prende tutto quello che nessuno ti inse full pdf ftp - Aug 02 2022

web chi vince prende tutto quello che nessuno ti insegna per conquistare successo e ricchezza il saccheggio regime di legalità e trasformazioni globali chi vince prende

chi vince prende tutto quello che nessuno ti insegna per - Jun 12 2023

web this chi vince prende tutto quello che nessuno ti inse but stop happening in harmful downloads rather than enjoying a fine book when a mug of coffee in the afternoon on

chi vince prende tutto quello che nessuno ti inse pdf api - Apr 29 2022

web dell iss nessuno perde nessuno vince giunti scuola chi vince prende tutto quello che nessuno ti insegna per chi vince prende tutto quello che nessuno ti insegna per il

chi vince prende tutto quello che nessuno ti inse - May 11 2023

web chi vince prende tutto scheda del film con mariele millowitsch e jan gregor kremp leggi la trama e la recensione guarda il trailer trova la programmazione del film

buchkritik zu dann ist das wohl psychosomatisch spektrum de - Jun 14 2023

web apr 10 2021 buchkritik zu dann ist das wohl psychosomatisch psychosomatik durch die subjektive brille Über das zusammenspiel von psyche und körper berichtet der mediziner alexander kugelstadt in seinem sachbuch christopher berghoff alexander kugelstadt dann ist das wohl psychosomatisch wenn körper und seele sos senden

psikosomatik hastalık ne demektir milliyet - Nov 07 2022

web jan 10 2018 psikosomatik hastalık ne demektir psikosomatik hastalık belli bir süre içerisinde ortaya çıkan ve tedavi arayışları günümüzde de hala devam eden hastalık çeşitleri arasında yer

kritik der psychoanalyse infc de psychiatrie und ethik - May 01 2022

web nov 3 2004 f weinberger 03 11 2004 es ist kaum möglich von der psychoanalyse als einer einheit zu reden es sei denn

daß alle psychotherapeuten die sich ihrer bedienen an freud sich orientieren in orthodoxer gefolgschaft oder in kritischer ablehnung es ist kein zweifel daß freud der überragende kopf ist

kritische gedanken zur psychosomatischen medizin springerlink - Feb 10 2023

web ausgehend von dem gutachten des deutschen wissenschaftsrates 1986 in welchem die kritik an der psychosomatischen medizin sehr einseitige z t fachfremde und die realität verzerrende züge trägt wird als problem der psychosomatischen medizin ihr ort zwischen den fächern diskutiert aus dem sich ihre stärken wie ihre schwächen ableiten lassen

kritik der psychosomatik buch gebraucht antiquarisch neu - Dec 28 2021

web die subjektive krankheit kritik der psychosomatik wolfgang schmidbauer rowohlt verlag reinbek bei hamburg 1986 isbn 3498061992 zustand gebraucht gut

franz alexander auf dem weg zur psychosomatik deutsches - Sep 05 2022

web eine konversion im freud schen sinn lehnte er daher ab franz alexander der zweite pionier auf dem gebiet der psychosomatik hat sich groddecks es theorie nicht angeschlossen

bzga leitbegriffe psychosomatische perspektive - Mar 11 2023

web dec 8 2022 die psychosomatik als krankheits und behandlungslehre erforscht den zusammenhang von psychischen prozessen und solchen erkrankungen bei denen keine klare organische grundlage ermittelt werden kann z b über serologische zytologische histologische oder radiologische nachweise im sinne des biomedizinischen modells

kritische betrachtungen zur psychosomatischen medizin jstor - Aug 04 2022

web kritische betrachtungen zur psychosomatischen medizin von s biran jaffa israel die psychische verursachung körperlicher veränderungen wurde lange vor aufkommen der psychosomatischen ps s medizin in bestimmten fällen erkannt und erklärt die bisherigen auffassungen über psychogenic beschränkten sich jedoch auf veränderungen der

zur kritik der sogenannten psychosomatik karger publishers - Jan 29 2022

web jun 11 2008 zur kritik der sogenannten psychosomatik monatsschrift für psychiatrie und neurologie karger publishers research articles june 11 2008 zur kritik der sogenannten psychosomatik subject area neurology and neuroscience kurt kolle monatsschrift für psychiatrie und neurologie 1953 126 6 341 354

psychosomatik wikipedia - Aug 16 2023

web psychosomatik bezeichnet in der medizin eine ganzheitliche betrachtungsweise und krankheitslehre darin werden die psychischen fähigkeiten und reaktionsweisen von menschen im bezug auf gesundheit und krankheit in ihrer eigenart und verflechtung mit körperlichen vorgängen und sozialen lebensbedingungen betrachtet 1

psikosomatik okulu İstanbul psikanaliz derneği - Dec 08 2022

web 1972 de kurulan paris psikosomatik okulu ipso halen çocuk ergen ve yetişkin hastalarla çalışmalarını sürdürmekte ve

uluslararası ipso pierre marly derneği çatısı altında çeşitli ülkelerde eğitim ve süpervizyonlar verilmektedir derneğimiz içerisinde de bu alanda eğitimlerini sürdüren psikanalistler bulunmaktadır

pdf das biopsychosoziale modell researchgate - Jul 03 2022

web aug 29 2018 kritik des biopsychosozialen modells mit diesem ansatz ließ sich das über jahrhunderte fortbestehende logische und empirisch wissenschaftliche problem der psychosomatik auf

kritisches zur psychosomatik und ihrer kritik springerlink - Jul 15 2023

web wir können seiner erwartung die modische aktualität der psychosomatik werde abnehmen nur wünschen daß sie sich verwirklichen möge aber zugleich müssen wir fragen ob die psychosomatische betrachtungsweise für ihre anwendung auf alle bereiche der medizin schon hinreichend gerüstet sei

tatort körper spurensicherung eine kritik der - Mar 31 2022

web book subtitle eine kritik der psychoanalytischen psychosomatik authors luciano alberti jutta baur morlok ekkehard gattig norbert hartkamp sebastian hartmann peter indefrey johannes kruse siegfried zepf editors siegfried zepf doi doi org 10 1007 978 3 642 70861 9 publisher springer berlin heidelberg

die moral der psychosomatik in ihrer geschichte - Apr 12 2023

web ansätze zur kritik an den pathogenen wirkungen der moral finden sich schon bei freud selbst ausdrücklich beispielsweise in seiner 1908 erschienen schrift die kulturelle sexualmoral und die moderne nervosität

zwischen verlegenheit und wahrheit deutschlandfunk kultur - Jun 02 2022

web jun 26 2007 aus der sendung buchkritik der autor weiß wovon er schreibt denn er hat ein leben in der psychophysiologischen forschung verbracht nun zieht er bilanz was diese forschung zur entstehung

kritisches zur psychosomatik und ihrer kritik h w janz springer - Jan 09 2023

web werden die an der psychosomatik geübt wird nur mit einer kritik nach zwei seiten wäre es denkbar aus der dialektischen spannung zwischen den thesen der psychosomatik und den antithesen ihrer kritiker eine synthese der verschiedenartigen richtungen in der psychosomatischen medizin anzustreben ein ziel

die subjektive krankheit kritik der psychosomatik taschenbuch amazon de - Oct 06 2022

web taschenbuch ab 9 95 1 gebraucht ab 9 95 jede erkrankung vom banalen schnupfen bis zum tödlichen herzinfarkt wird durch die geheimnisvolle macht des subjekts mitbestimmt aber sein zugang und sein einfluß sind

psychosomatik feindliche Übernahme deutsches Ärzteblatt - May 13 2023

web darauf haben die psychosomatischen fachgesellschaften jetzt mit harscher kritik reagiert es sei ungewöhnlich befremdlich und einzigartig dass eine medizinische fachgesellschaft ohne konsens

psychologische kritik springerlink - Feb 27 2022

web may 27 2022 [psychologische kritik im sinne der psychologischen bildung ist nicht auf die reflexion typischer wahrnehmungs und denkfehler begrenzt sondern schafft ein bewusstsein für die prinzipielle subjektive bedingtheit von vermeintlich objektiven phänomenen und gegebenheiten](#)

[500 creative matlab projects with source code matlabsimulation](#) - Jul 14 2023

web code for matlab projects code for matlab projects provides you complete code support for your projects assignments and also research work today many scholars and students are undertaking code for matlab projects due to its advanced research scope and applications

[matlab projects for engineering students](#) - Feb 26 2022

web sep 12 2023 [applications of matlab projects for engineering students video processing high quality color representation registration techniques facsimile sample code for shape descriptor based feature extraction matlab projects for engineering students the descriptor includes normalization](#)

[matlab courseware for primary and secondary schools](#) - Jul 02 2022

web student programs courseware for primary and secondary schools explore downloadable teaching materials and activities created by educators including targeted lessons and examples or full course curricula view license information an online interactive tutorial that teaches the basics of programming using matlab learn more

[matlab and simulink examples matlab simulink](#) - Jan 08 2023

web when you re learning to use matlab and simulink it s helpful to begin with code and model examples that you can build upon hundreds of examples online and from within the product show you proven techniques for solving specific problems start exploring examples and enhancing your skills

[15 easy matlab projects ideas for beginners 2023 updated](#) - Oct 05 2022

web may 13 2023 [table of contents 1 matlab beginner projects a vehicle number plate detection b automatic certificate generation using matlab c light animations with arduino and matlab d audio compression using wavelets in matlab e voice based biometric system f two level security system g face recognition system](#)

[practical course projects to introduce matlab simulink](#) - Jun 01 2022

web the wide variety of available functions and libraries in matlab make it easy for students to translate engineering equations into code which they can then run to understand the effects of various parameters on the solution

[37 matlab projects 250 electronics projects for engineering students](#) - Sep 04 2022

web 250 total electronics projects for engineering students 37 matlab electronics projects which always in demand in engineering level and especially very useful for ece and eee students so it is always beneficial for electronics student and professional to have such material to generate new ideas

matlab projects matlab projects - Jan 28 2022

web sep 9 2023 supporting project field we offer matlab project for students in the field of computer science engineering electrical communication electronics information technology electronics and instrumentation

200 matlab projects for engineering students elprocus - Apr 11 2023

web matlab code for image restoration matlab code for image compression using spiht algorithm matlab code for neuro fuzzy based image fusion matlab code for iris segmentation background estimation based on mode algorithm matlab code for drowsy driver detection matlab code for integer wavelet transform

95 best ever matlab projects ideas engineering projects - Mar 10 2023

web nov 30 2021 many students work on matlab in college or university and all students are very excited to implement it if you are learning matlab or want to test your skills then you should implement it on matlab projects so here we provide the 95 best ever matlab projects ideas

matlab engineering project ideas matlab simulink - Jun 13 2023

web matlab engineering project ideas gain practical experience and contribute to the progress of engineering and science while using matlab and simulink in your capstone or final year project or your master s thesis topic see full list technology trends find project ideas that align with a specific technology 5g big data industry 4 0

matlab projects for students final year matlabsimulation - Mar 30 2022

web our matlab projects for students gives you the best and finest projects in matlab which will enhance your academic performance there are plenty of projects and applications that can be implemented using matlab due to its vast support for numerous domains

60 matlab projects for engineering students electronics hub - Aug 15 2023

web embedded projects solar power projects vlsi projects so now we are publishing the top list of matlab projects for engineering students this list includes image processing projects using matlab matlab projects for ece students digital signal processing projects using matlab etc

simple easy matlab projects with source code matlabsimulation - Aug 03 2022

web simple easy matlab projects with source code matlabsimulation com easy matlab projects research areas biomedical signal processing biometric detection information security neural networks network security wireless networks wireless communication matlab simulink power electronics renewable energy mobile communication

matlab projects for beginners with source codes circuit digest - Dec 07 2022

web oct 31 2018 home matlab projects find below some interesting matlab projects and tutorials for beginners these projects are available with source codes and instructions to help you learn and work with matlab january 12 2022 prototyping

an electric vehicle in matlab simulink

matlab projects for students programming source code phd - Dec 27 2021

web matlab projects for students programming source code matlab projects for students provide you best platform with innovative ideas to build your knowledge in research we also have nearly 100 research analysts and experienced programmers to provide precise guidance for research scholars and students

matlab and simulink design projects for students everywhere - Nov 06 2022

web aug 6 2021 matlab and simulink design projects for students everywhere student lounge matlab simulink student lounge sharing technical and real life examples of how students can use matlab and simulink in their everyday projects studentsuccess q a with 2020 advance alzheimer s improve a car s engine

21 matlab projects for engineering students in 2023 - Apr 30 2022

web apr 4 2023 top 21 matlab projects for engineering students you must know in 2023 1 analogue clock design 2 digital clock design 3 robotics 4 image processing projects 5 control system projects 6 signal processing projects 7 wireless communication projects 8 machine learning projects 9 renewable energy

matlab projects with source code for students matlabsimulation - Feb 09 2023

web matlab projects with source code for students matlabsimulation com matlab projects are one of our vital package that offers highly creative environs for scholars and students who nudge towards feat it is one of the high acting languages for nominal computing matlab offers easy to use environs to get a good effect in execution

15 interesting matlab project ideas topics for beginners - May 12 2023

web sep 10 2023 matlab project ideas the following are some of the most exciting matlab projects so that you can test your skills let s get started 1 build a car parking indicator parking a car can be tricky it requires precision and a lot of practice you can use matlab to make things easier for the driver however by building a car parking indicator