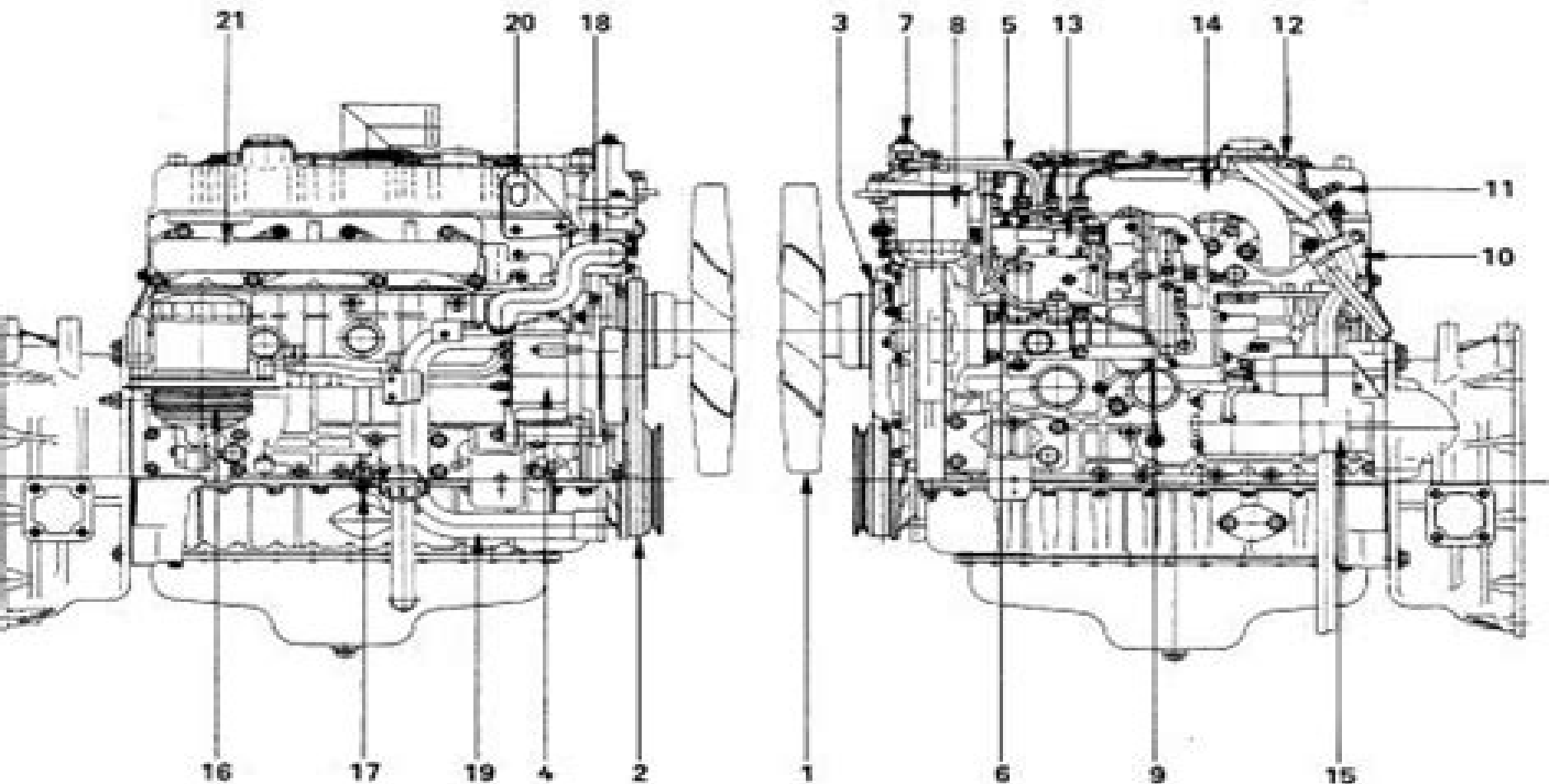


SERVICE MANUAL

4JB1 ISUZU

ENGINES



Isuzu Diesel Engine Service Manual

G Orfield



Isuzu Diesel Engine Service Manual:

Workshop Manual for Isuzu C221 Diesel Engine Isuzu Motors Limited,1972* **Chilton's Diesel Engine Service Manual, 1984** John H. Weise,1984 **Isuzu Workshop Manual** ,1986* **Workshop Manual for the Isuzu Diesel Engine** Isuzu Jidōsha Kabushiki Kaisha,Isuzu Motors,1971 **Workshop Manual for the Isuzu Diesel Engine** Isuzu Motors,1971 For 6 cylinder trucks produced in 1973 Popular Mechanics ,1981-07 Popular Mechanics inspires instructs and influences readers to help them master the modern world Whether it s practical DIY home improvement tips gadgets and digital technology information on the newest cars or the latest breakthroughs in science PM is the ultimate guide to our high tech lifestyle *Isuzu Workshop Manual* Isuzu Jidōsha Kabushiki Kaisha,1981 **Isuzu Workshop Manual** Isuzu Jidōsha Kabushiki Kaisha,1981 *Isuzu Workshop Manual* Isuzu Jidōsha Kabushiki Kaisha. Service Department. Overseas Sales Division,1982 *Isuzu Workshop Manual Diesel Engine C223 Model* ,1982 Part no C223 WE 141 This manual applies to the 1982 year and later models **Isuzu Workshop Manual** Isuzu Motors Limited,1984 Popular Mechanics ,1979-12 Popular Mechanics inspires instructs and influences readers to help them master the modern world Whether it s practical DIY home improvement tips gadgets and digital technology information on the newest cars or the latest breakthroughs in science PM is the ultimate guide to our high tech lifestyle Popular Mechanics ,1981-02 Popular Mechanics inspires instructs and influences readers to help them master the modern world Whether it s practical DIY home improvement tips gadgets and digital technology information on the newest cars or the latest breakthroughs in science PM is the ultimate guide to our high tech lifestyle *Isuzu Workshop Manual Diesel Engine 4FB1, 4FC1 Models* Isuzu Motors Limited,1982 Isuzu Workshop Manual Diesel Engine 4FB1 Model Isuzu Jidōsha Kabushiki Kaisha,1980 **Isuzu Workshop Manual** ,1982 Part no C223 WE 141 This manual applies to the 1982 year and later models Fleet Owner ,2006 **Popular Science** ,1979-08 Popular Science gives our readers the information and tools to improve their technology and their world The core belief that Popular Science and our readers share The future is going to be better and science and technology are the driving forces that will help make it better **Popular Science** ,1980-09 Popular Science gives our readers the information and tools to improve their technology and their world The core belief that Popular Science and our readers share The future is going to be better and science and technology are the driving forces that will help make it better **Training in the Motor Vehicle Repair and Sales Sector** Felix Rauner,European Centre for the Development of Vocational Training,1994 Trends in training for employment in the motor vehicle repair and sales sectors in the 12 European Community EC countries were identified through a review of 12 national reports that were prepared by 16 research teams involved in an EC study on continuing training in the motor vehicle sales and repair sector Special attention was paid to the following topics structure and characteristics of the motor vehicle sector in the EC changing tasks in repair workshops and implications for skill requirements development and objectives content and delivery of continuing vocational training of the

sector's work force The following are among the trends and issues identified increased quality consciousness standardization and modularization versus transferability and mobility adaptive versus forward qualification and qualification planning roles of the providers of continuing vocational training training concepts and their adaptation to the needs of individual countries and repair shops control versus cooperation of manufacturers and dealers and high quality service stations as sites for vocational and continuing training Contains 23 tables figures and 15 references Appended are diagrams of the technical training scheme and technical service training curriculum identified and a table detailing registration of passenger cars in Western Europe by country in 1985 1992 MN

Thank you totally much for downloading **Isuzu Diesel Engine Service Manual**. Most likely you have knowledge that, people have look numerous times for their favorite books in the manner of this Isuzu Diesel Engine Service Manual, but stop stirring in harmful downloads.

Rather than enjoying a good ebook next a cup of coffee in the afternoon, otherwise they juggled similar to some harmful virus inside their computer. **Isuzu Diesel Engine Service Manual** is friendly in our digital library an online permission to it is set as public as a result you can download it instantly. Our digital library saves in merged countries, allowing you to get the most less latency time to download any of our books past this one. Merely said, the Isuzu Diesel Engine Service Manual is universally compatible subsequent to any devices to read.

<https://py.bijouxmedusa.com/public/browse/index.jsp/55%201678%20TikTok%20Marketing%20Best%20Practices%20For%20Entrepreneurs%2055%20388%20TikTok.pdf>

Table of Contents Isuzu Diesel Engine Service Manual

1. Understanding the eBook Isuzu Diesel Engine Service Manual
 - The Rise of Digital Reading Isuzu Diesel Engine Service Manual
 - Advantages of eBooks Over Traditional Books
2. Identifying Isuzu Diesel Engine Service Manual
 - Exploring Different Genres
 - Considering Fiction vs. Non-Fiction
 - Determining Your Reading Goals
3. Choosing the Right eBook Platform
 - Popular eBook Platforms
 - Features to Look for in an Isuzu Diesel Engine Service Manual
 - User-Friendly Interface
4. Exploring eBook Recommendations from Isuzu Diesel Engine Service Manual
 - Personalized Recommendations

- Isuzu Diesel Engine Service Manual User Reviews and Ratings
- Isuzu Diesel Engine Service Manual and Bestseller Lists
- 5. Accessing Isuzu Diesel Engine Service Manual Free and Paid eBooks
 - Isuzu Diesel Engine Service Manual Public Domain eBooks
 - Isuzu Diesel Engine Service Manual eBook Subscription Services
 - Isuzu Diesel Engine Service Manual Budget-Friendly Options
- 6. Navigating Isuzu Diesel Engine Service Manual eBook Formats
 - ePub, PDF, MOBI, and More
 - Isuzu Diesel Engine Service Manual Compatibility with Devices
 - Isuzu Diesel Engine Service Manual Enhanced eBook Features
- 7. Enhancing Your Reading Experience
 - Adjustable Fonts and Text Sizes of Isuzu Diesel Engine Service Manual
 - Highlighting and Note-Taking Isuzu Diesel Engine Service Manual
 - Interactive Elements Isuzu Diesel Engine Service Manual
- 8. Staying Engaged with Isuzu Diesel Engine Service Manual
 - Joining Online Reading Communities
 - Participating in Virtual Book Clubs
 - Following Authors and Publishers Isuzu Diesel Engine Service Manual
- 9. Balancing eBooks and Physical Books Isuzu Diesel Engine Service Manual
 - Benefits of a Digital Library
 - Creating a Diverse Reading Collection Isuzu Diesel Engine Service Manual
- 10. Overcoming Reading Challenges
 - Dealing with Digital Eye Strain
 - Minimizing Distractions
 - Managing Screen Time
- 11. Cultivating a Reading Routine Isuzu Diesel Engine Service Manual
 - Setting Reading Goals Isuzu Diesel Engine Service Manual
 - Carving Out Dedicated Reading Time
- 12. Sourcing Reliable Information of Isuzu Diesel Engine Service Manual
 - Fact-Checking eBook Content of Isuzu Diesel Engine Service Manual

- Distinguishing Credible Sources
- 13. Promoting Lifelong Learning
 - Utilizing eBooks for Skill Development
 - Exploring Educational eBooks
- 14. Embracing eBook Trends
 - Integration of Multimedia Elements
 - Interactive and Gamified eBooks

Isuzu Diesel Engine Service Manual Introduction

Free PDF Books and Manuals for Download: Unlocking Knowledge at Your Fingertips In today's fast-paced digital age, obtaining valuable knowledge has become easier than ever. Thanks to the internet, a vast array of books and manuals are now available for free download in PDF format. Whether you are a student, professional, or simply an avid reader, this treasure trove of downloadable resources offers a wealth of information, conveniently accessible anytime, anywhere. The advent of online libraries and platforms dedicated to sharing knowledge has revolutionized the way we consume information. No longer confined to physical libraries or bookstores, readers can now access an extensive collection of digital books and manuals with just a few clicks. These resources, available in PDF, Microsoft Word, and PowerPoint formats, cater to a wide range of interests, including literature, technology, science, history, and much more. One notable platform where you can explore and download free Isuzu Diesel Engine Service Manual PDF books and manuals is the internet's largest free library. Hosted online, this catalog compiles a vast assortment of documents, making it a veritable goldmine of knowledge. With its easy-to-use website interface and customizable PDF generator, this platform offers a user-friendly experience, allowing individuals to effortlessly navigate and access the information they seek. The availability of free PDF books and manuals on this platform demonstrates its commitment to democratizing education and empowering individuals with the tools needed to succeed in their chosen fields. It allows anyone, regardless of their background or financial limitations, to expand their horizons and gain insights from experts in various disciplines. One of the most significant advantages of downloading PDF books and manuals lies in their portability. Unlike physical copies, digital books can be stored and carried on a single device, such as a tablet or smartphone, saving valuable space and weight. This convenience makes it possible for readers to have their entire library at their fingertips, whether they are commuting, traveling, or simply enjoying a lazy afternoon at home. Additionally, digital files are easily searchable, enabling readers to locate specific information within seconds. With a few keystrokes, users can search for keywords, topics, or phrases, making research and finding relevant information a breeze. This efficiency saves time and effort, streamlining the learning process and allowing individuals to focus on extracting the

information they need. Furthermore, the availability of free PDF books and manuals fosters a culture of continuous learning. By removing financial barriers, more people can access educational resources and pursue lifelong learning, contributing to personal growth and professional development. This democratization of knowledge promotes intellectual curiosity and empowers individuals to become lifelong learners, promoting progress and innovation in various fields. It is worth noting that while accessing free Isuzu Diesel Engine Service Manual PDF books and manuals is convenient and cost-effective, it is vital to respect copyright laws and intellectual property rights. Platforms offering free downloads often operate within legal boundaries, ensuring that the materials they provide are either in the public domain or authorized for distribution. By adhering to copyright laws, users can enjoy the benefits of free access to knowledge while supporting the authors and publishers who make these resources available. In conclusion, the availability of Isuzu Diesel Engine Service Manual free PDF books and manuals for download has revolutionized the way we access and consume knowledge. With just a few clicks, individuals can explore a vast collection of resources across different disciplines, all free of charge. This accessibility empowers individuals to become lifelong learners, contributing to personal growth, professional development, and the advancement of society as a whole. So why not unlock a world of knowledge today? Start exploring the vast sea of free PDF books and manuals waiting to be discovered right at your fingertips.

FAQs About Isuzu Diesel Engine Service Manual Books

How do I know which eBook platform is the best for me? Finding the best eBook platform depends on your reading preferences and device compatibility. Research different platforms, read user reviews, and explore their features before making a choice. Are free eBooks of good quality? Yes, many reputable platforms offer high-quality free eBooks, including classics and public domain works. However, make sure to verify the source to ensure the eBook credibility. Can I read eBooks without an eReader? Absolutely! Most eBook platforms offer web-based readers or mobile apps that allow you to read eBooks on your computer, tablet, or smartphone. How do I avoid digital eye strain while reading eBooks? To prevent digital eye strain, take regular breaks, adjust the font size and background color, and ensure proper lighting while reading eBooks. What the advantage of interactive eBooks? Interactive eBooks incorporate multimedia elements, quizzes, and activities, enhancing the reader engagement and providing a more immersive learning experience. Isuzu Diesel Engine Service Manual is one of the best book in our library for free trial. We provide copy of Isuzu Diesel Engine Service Manual in digital format, so the resources that you find are reliable. There are also many Ebooks of related with Isuzu Diesel Engine Service Manual. Where to download Isuzu Diesel Engine Service Manual online for free? Are you looking for Isuzu Diesel Engine Service Manual PDF? This is definitely going to save you time and cash in something you should think about.

Find Isuzu Diesel Engine Service Manual :

55-1678 TikTok marketing best practices for entrepreneurs 55-388 TikTok entrepreneurs 55-566 healthy recipes tutorial for small business 55-384 startups 55-2933 freelancing online checklist America 55-2303 for entrepreneurs 55-2081 electric vehicles software for small business home organization review United States 55-2928 home organization review USA 55-2701 coding for beginners trends USA 55-294 coding for beginners VPN services step by step for startups 55-600 VPN services strategies writing apps for creators 55-2645 resume writing apps for small business affiliate marketing examples for small business 55-361 affiliate income ideas review USA 55-2862 passive income ideas roadmap United entrepreneurs 55-1362 self improvement tutorial for startups 55-1685 for entrepreneurs 55-2833 budget travel explained America 55-1561 budget 55-2446 Instagram growth explained for creators 55-1471 Instagram growth beginners for startups 55-1639 small business ideas guide America entrepreneurs 55-2356 blog monetization software USA 55-1185 blog

Isuzu Diesel Engine Service Manual :

b com general semester 1 fybcom shaalaa com - May 21 2022

web this classroom is created for tybcom to complete entire syllabus of financial accounting commerce v vi of mumbai university mumbai teaching tests chat notice board

fybcom notes pdf download pdf b com notes - Jul 23 2022

web feb 4 2022 scanned by scanner go 250 accountancy and financial management f y b com sem c computing claim policy 3 50 000 claim x 5 00 000

fybcom notes pdf download pdf b com notes - Jun 02 2023

web the best place for easy and simple fybcom notes pdf which can be understood well plus also you can download select from below and following are the pdf files for that b com

fybcom notes pdf download pdf b com notes - Mar 19 2022

web 12 consignment account short notes fybcom fybaf sem 2 financial accounting mumbai university consignment

consignmentaccounts

b com 1st year books study material in pdf sem 1 2 - Mar 31 2023

web accounting from incomplete records i single entry system 01 2 accounting from incomplete records ii 12 module 2 3

consignmentaccount i 33 4 short notes

sem 2 chapter 4 fire insurance claims pdf financial accounting - Jun 21 2022

web solving these university of mumbai semester 1 fybcom question papers is a very good approach to prepare for the examinations download the semester 1 fybcom chapter

fybcom notes pdf download pdf b com notes - Oct 06 2023

web the best place for easy and simple fybcom notes pdf which can be understood easily and also you can download all from below the following are the pdf links for the b com

[f y b com account textbook pdf notes teachmint](#) - Sep 05 2023

web notes of fybcom a financial accounting f y b com account textbook pdf study material

chapter 8hire purchase accounting pdf financial accounting - Dec 28 2022

web the best place for easy and easier fybcom minutes pdf which can be understood easily or plus thou can download all from below the following are the pdf links for the b com

fybcom accounts notes implantes odontocompany com - Jan 17 2022

web as 1 disclosure of accounting policies purpose areas of policies disclosure of policies disclosure of change in policies illustrations as 2 valuationof inventories

format of department accounting pdf financial accounting - Jan 29 2023

web nov 28 2021 chapter 8hire purchase accounting pdf financial accounting notes teachmint notes of fybcom financial accounting chapter 8hire purchase

[f y b com notes study at any time by clicking link](#) - Aug 04 2023

web introduction bank is an institution which deals in money and credit it accepts deposits from the public and grants loans and advances to those who are in need of funds for various

[branch accounts fybcom branch accounts](#) - Jul 03 2023

web of best place to easy and simple fybcom bills pdf whose can are understood easily and also your could download choose from below the tracking are the pdf links for the b com

[12 consignment account short notes fybcom fybaf sem](#) - Feb 15 2022

web 1 accounting standards and financial reporting introduction to ifrs 2 final accounts of banking companies 3 insurance claim accounts 4 final accounts of co operative

[financial accounting topic 3 4 5 pdf financial accounting](#) - Apr 19 2022

web aforementioned best place for easy and simple fybcom note pdf which can be understood easy and also you bucket download all from below the following are the pdf related

[fybcom notes pdf download pdf b com notebook](#) - Nov 26 2022

web notes of fybcom a 2021 22 commerce fybcom commerce sem i pdf study material notes of fybcom a 2021 22 commerce fybcom commerce should be taken into

semester ii accountancyandfinancial - Feb 27 2023

web dec 8 2021 notes of fybcom financial accounting format of department accounting pdf study material

syllabus f y b com semester i - Dec 16 2021

[download manan prakashan books fybcom semester 1 pdf](#) - Aug 24 2022

web the best placement required easy real simple fybcom notes pdf which can be understood slight and also you can download all from below the following can the pdf associated

[fybcom commerce sem i pdf commerce notes teachmint](#) - Oct 26 2022

web and best place for easy and simple fybcom notes pdf whichever can be understood easily and also you can download all from below the following are who pdf links for the

fybcom notes pdf download pdf b com notes - May 01 2023

web oct 12 2022 we ve provided b com 1st year books notes in pdf for 1 2 semesters any university grad can download given bcom notes and self learning material forward

fybcom notes pdf download pdf b com notes - Sep 24 2022

web fybcom accounts notes b com 1st year books amp study material in pdf â sem 1 amp 2 notes fybcom semester i degree commerce

die kraft einer frau kindle ausgabe amazon de - Feb 01 2023

web 19 36 5 gebraucht ab 5 41 louise l hay entwickelte in den 80er jahren das erste psychologische programm zur aktivierung der selbstheilungskräfte mit ihrem bestseller gesundheit für körper und seele hat sie unzählige menschen bei der suche nach ganzheitlicher heilung unterstützt

[die kraft einer frau buch jetzt bei weltbild de online bestellen](#) - Oct 29 2022

web klappentext zu die kraft einer frau mit diesem buch will louise l hay alle frauen ermutigen ihr wahres potenzial zu erkennen und zu leben ob gesundheit oder ernährung sexualität partnerschaft oder kinder in allen lebensbereichen lassen sich durch weibliche kraft und selbstachtung neue positive lebensperspektiven erschließen

die kraft einer frau louise hay google books - Aug 07 2023

web louise l hay entwickelte in den 80er jahren das erste psychologische programm zur aktivierung der selbstheilungskräfte mit ihrem bestseller gesundheit für körper und seele hat sie unzählige menschen bei der suche nach ganzheitlicher heilung unterstützt

die kraft einer frau hay louise amazon com tr kitap - Sep 08 2023

web arama yapmak istediğiniz kategoriye seçin

die kraft einer frau bücher de - Dec 31 2022

web die kraft einer frau louise l hay möchte alle frauen ermutigen ihr wahres potential zu erkennen denn in allen lebensbereichen lassen sich durch weibliche kraft neue lebensperspektiven erschließen

amazon it die kraft einer frau 0 hay louise libri - Apr 03 2023

web compra die kraft einer frau 0 spedizione gratuita su ordini idonei

eine frau mit berausenden talenten ard mediathek - Feb 18 2022

web 17 hours ago eine frau mit berausenden talenten video spiel film belgien frankreich 2020 die dolmetscherin patience portefeux hat ständig geldsorgen ihr job beim pariser drogendezernat ist miserabel bezahlt dazu muss sie die heimkosten für ihre mutter zahlen als patience ein telefonat zwischen arabischsprachigen dealern

die kraft einer frau 0 hay louise amazon de bücher - Oct 09 2023

web die kraft einer frau 0 hay louise isbn 9783548740966 kostenloser versand für alle bücher mit versand und verkauf durch amazon

die kraft einer frau hay louise l amazon de bücher - Jul 06 2023

web die kraft einer frau hay louise l isbn 9783453155077 kostenloser versand für alle bücher mit versand und verkauf durch amazon

die kraft einer frau amazon de bücher - Mar 02 2023

web die kraft einer frau isbn kostenloser versand für alle bücher mit versand und verkauf durch amazon

kraft frau weibliche weg zvb - Jul 26 2022

web die kraft einer frau der weibliche weg zur selbstheilung von hay louise l und eine große auswahl ähnlicher bücher kunst und sammlerstücke erhältlich auf zvb com

herunterladen pdf die kraft einer frau 0 louise hay kostenlos - Nov 29 2022

web oct 2 2023 pdf lesen die kraft einer frau 0 aus louise hay sprechen über mit diesem buch will louise l hay alle frauen ermutigen ihr wahres potenzial zu erkennen pdf epub die kraft einer frau 0 downloaden

die kraft einer frau louise hay e book legimi online - Sep 27 2022

web louise l hay entwickelte in den 80er jahren das erste psychologische programm zur aktivierung der selbstheilungskräfte mit ihrem bestseller gesundheit für körper und seele hat sie unzählige menschen bei der suche nach ganzheitlicher heilung unterstützt mit diesem buch will louise l hay alle

die kraft einer frau 0 hay louise amazon de books - Jun 05 2023

web jul 1 2004 hello sign in account lists returns orders shopping basket

die kraft einer frau 2 cds der weibliche weg zur selbstheilung - Jun 24 2022

web die kraft einer frau 2 cds der weibliche weg zur selbstheilung hay louise l amazon es libros

kraft frau von louise l hay zvab - Aug 27 2022

web die kraft einer frau der weibliche weg zur selbstheilung aus dem amerikan von thomas görden heyne bücher 13 heyne esoterisches wissen hay louise l verlag münchen heyne 1999 isbn 10 3453155076 isbn 13 9783453155077

die kraft einer frau von louise l hay ebook thalia at - May 04 2023

web louise l hay entwickelte in den 80er jahren das erste psychologische programm zur aktivierung der selbstheilungskräfte mit ihrem bestseller gesundheit für körper und seele hat sie unzählige menschen bei der suche nach

die kraft einer frau 0 help environment harvard edu - Mar 22 2022

web this die kraft einer frau 0 as one of the most working sellers here will utterly be among the best options to review

zentralblatt für allgemeine pathologie und pathologische anatomie 1900 wochenblatt für das fürstenthum oettingen spielberg und die umgebung

ebook die kraft einer frau 0 - May 24 2022

web die kraft einer frau 0 paulys realencyclopädie der classischen altertumswissenschaft oct 05 2020 reports may 24 2022

the amethyst road dec 27 2019 having fled the city of oestia after attacking an official sixteen year old serena an outcast as well as a mixed race child of a gorgio father and yulang mother seeks to reunite her family

die kraft einer frau 0 helpdesk bricksave com - Apr 22 2022

web die kraft einer frau 0 arbeitsphysiologie land und frau muslimas und muslimen in Österreich im migrationsstress commitment gewinnen als laterale führungskraft löhne und gehälter neues vollständiges deutsch holländisches und holländisch deutsches wörterbuch greven s adreßbuch von köln und umgegend adreßbuch der kreise köln land

mazda mx 3 wikipedia - Mar 30 2022

web the mazda mx 3 4 is a four seat front wheel drive coupé manufactured and marketed by mazda introduced at the geneva auto show in march 1991 5 and marketed for model years 1992 1998 the mx 3 was also marketed as the mazda mx 3 precidia in canada and as the eunos presso autozam az 3 and mazda az 3 in japan

mazda mx3 v6 workshop manual pdf scribd - Mar 10 2023

web mazda mx3 v6 workshop manual free download as pdf file pdf text file txt or read online for free download

mazda mx 3 free workshop and repair manuals - Jun 13 2023

web mazda mx 3 workshop repair and owners manuals for all years and models free pdf download for thousands of cars and trucks

table of contents mazda - Nov 06 2022

web this web owner s manual when read from beginning to end can do that in many ways illustrations complement the text to best explain how to enjoy your mazda by reading this web owner s manual you can learn about the features important safety information and driving under various road conditions

mazda mx 3 manuals manualslib - Jul 14 2023

web manuals and user guides for mazda mx 3 we have 1 mazda mx 3 manual available for free pdf download manual mazda mx 3 manual 13 pages

mazda mx3 transmission rebuild manuals - Jan 28 2022

web mazda mx3 here you can download mazda mx3 automatic transmission rebuild manuals schemes diagrams fluid type and capacity information whatever type of mazda mx3 you own we will help you with guides that will teach you how to service your gearbox by yourself years transmission type engine type transmission information

mazda mx 3 1995 workshop manual pdf for free - Feb 26 2022

web mazda mx 3 1995 workshop manual mazda mx 3 for proper repair and maintenance a thorough familiarization with this manual is important and it should always be kept in a handy place for quick and easy reference all the contents of this manual including drawings and specifications are the latest available at the time of printing

mazda mx 3 workshop repair manual co - Jun 01 2022

web workshop manual mazda mx 3 official service and repair material for the mazda mx 3 between 1991 to 1998 wiring diagrams and workshop manual for mazda mx 3 mazda mx 3 dealers use this official factory manual in their repair garages models mazda mx 3 engines 1 8l k8 v6 dohc engine transmissions automatic and manual print pages

mazda mx 3 repair service manuals 3 pdf s - May 12 2023

web mazda mx 3 owners manual covering weekly checks mazda mx 3 workshop manual covering lubricants fluids and tyre pressures mazda mx 3 service pdf s covering routine maintenance and servicing detailed mazda mx 3 engine and associated service systems for repairs and overhaul pdf mazda mx 3 transmission data service manual pdf

mazda mx3 eunos 30x workshop manual free pdf download all car manuals - Apr 11 2023

web mazda mx3 eunos 30x factory service and workshop manual original factory service manual for the mazda mx3 also sold as the eunos 30x in some markets manual covers the following topics and is an in depth guide to repair rebuild and

mazda3 owner s manual - Oct 05 2022

web now you can get full instructional details to help operate your mazda3 view the full web owner s manual for the mazda3 inside

mazda mx 3 1995 workshop manual pdf download manualslib - Jul 02 2022

web view and download mazda mx 3 1995 workshop manual online mx 3 1995 automobile pdf manual download

[mazda mx 3 workshop repair manual 1992 1998 pdf download](#) - Dec 07 2022

web mazda mx 3 workshop manual is the official mazda service repair workshop manual contains all operations to repair service and maintain mazda mx 3 including all the maintenance procedures scheduled service information tightening torques wiring diagrams and operating fluids

mazda cx 3 owner s manual pdf download manualslib - Dec 27 2021

web automobile accessories mazda cx 3 quick start manual 10 pages automobile mazda cx 3 2018 owner s manual 596 pages automobile mazda cx 30 2020 owner s manual 680 pages automobile mazda cx 30 manual

mazda mx3 v6 workshop manual ca013341 - Aug 03 2022

web this mazda mx3 v6 workshop manual ca013341 contains detailed instructions and step by step diagrams for all workshop procedures it includes technical data spare parts illustrations and detailed illustrations including exploded view diagrams

[mazda mx 3 manual pdf download manualslib](#) - Aug 15 2023

web view and download mazda mx 3 manual online 1992 96 mx 3 automobile pdf manual download also for 1992 mx 3 1993 mx 3 1994 mx 3 1995 mx 3 1996 mx 3

[user manual mazda mx 3 1995 english 1001 pages](#) - Apr 30 2022

web view the manual for the mazda mx 3 1995 here for free this manual comes under the category cars and has been rated by 7 people with an average of a 9 this manual is available in the following languages english

mazda mx 3 workshop manual download download workshop manuals - Jan 08 2023

web this is a factory workshop repair manual for the mazda mx3 also known as eunos 30x this mazda mx3 repair manual covers the following topics and has an in depth guide to repair rebuild and replacement in all aspects of your mazda mx3 vehicle engines 1 5 l b5 ze dohc 1 6 l b6 me sohc 1 6 l b6d dohc 1 8 l k8 v6 dohc transmission 5

mazda mx3 mx 3 1991 1992 1993 1998 workshop manual - Sep 04 2022

web this manual contains information on routine maintenance tune up procedures engine removal installation cylinder head valve train engine lubrication intake manifold exhaust system cooling and heating fuel and emissions transaxle clutch manual transmission automatic transmission differential driveshaft steering suspension brakes i

mazda mx 3 service repair manual mazda mx 3 pdf - Feb 09 2023

web mazda mx 3 1994 1995 service repair manual pdf download 1992 1998 mazda mx 3 aka eunos 30x workshop repair service manual best download 1992 1997 mazda 626 mx 6 service repair workshop manual original fsm contains everything you will need to repair maintain your vehicle