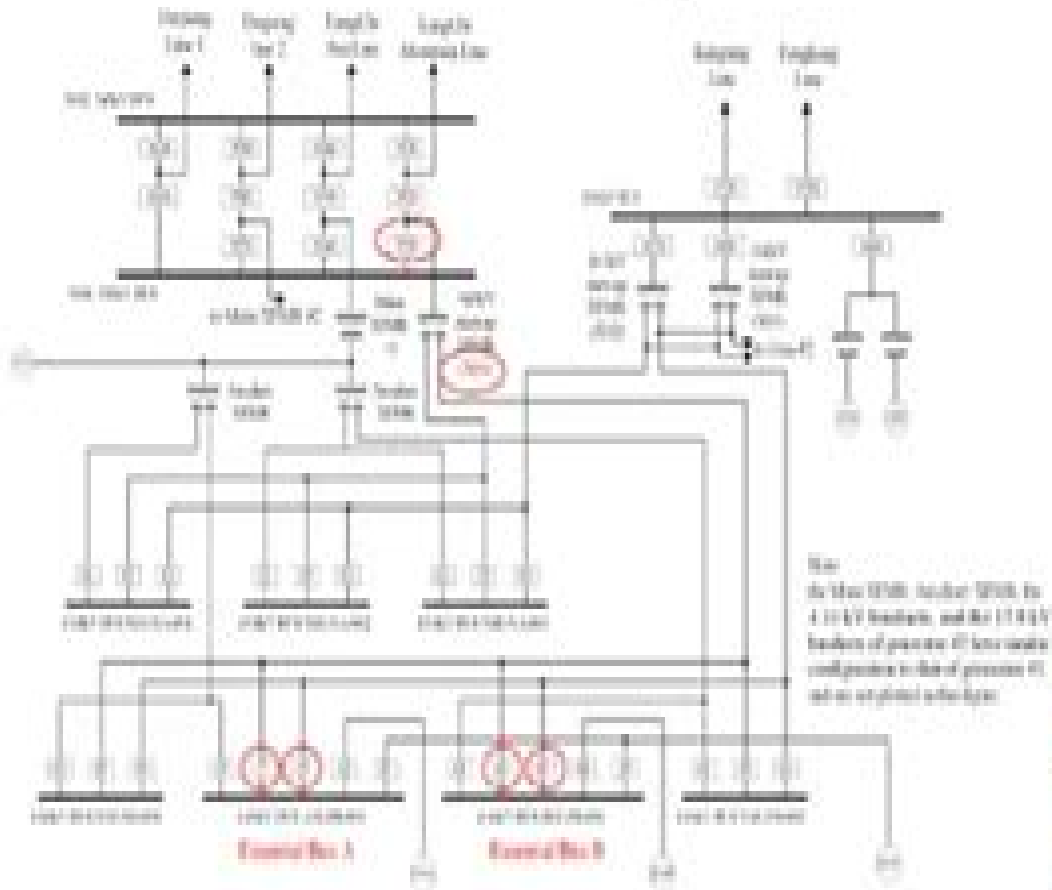


Power System Protection Systems



Basic connection diagram of protection relay



Electrical 4 U

Power Systems Protection Engineering Training Idc

D Siedentop



Power Systems Protection Engineering Training Idc:

Power Systems Protection, Power Quality , Practical Power System Protection Leslie Hewitson, Mark Brown, Ramesh Balakrishnan, 2005-02-28 Designed to increase understanding on a practical and theoretical basis this invaluable resource provides engineers plant operators electricians and technicians with a thorough grounding in the principles and practicalities behind power system protection Coverage of the fundamental knowledge needed to specify use and maintain power protection systems is included helping readers to increase plant efficiency performance and safety Consideration is also given to the practical techniques and engineering challenges encountered on a day to day basis making this an essential resource for all

Telecommunication Economics Antonis M. Hadjiantonis, Burkhard Stiller, 2012-04-27 This book constitutes a collaborative and selected documentation of the scientific outcome of the European COST Action IS0605 Econ Tel A Telecommunications Economics COST Network which run from October 2007 to October 2011 Involving experts from around 20 European countries the goal of Econ Tel was to develop a strategic research and training network among key people and organizations in order to enhance Europe s competence in the field of telecommunications economics Reflecting the organization of the COST Action IS0605 Econ Tel in working groups the following four major research areas are addressed evolution and regulation of communication ecosystems social and policy implications of communication technologies economics and governance of future networks future networks management architectures and mechanisms

Personal Computers and Digital Signal Processing , Formulas and Conversions , Communications, Industrial Networking and TCP/IP ,2012 **Practical Power Systems Protection for Engineers and Technicians** ,200? **IEEE Industrial & Commercial Power Systems Technical Conference** ,1984 *Electric Light and Power* ,1948 *The Journal of the Chartered Institution of Building Services* Chartered Institution of Building Services,1983 **Building Services** ,1985-05 *ASHRAE Journal* ,1992 *IEEE Conference Record of ... Industrial and Commercial Power Systems Technical Conference* ,1984 *UNDOC, Current Index* ,1996 **IEEE Membership Directory** Institute of Electrical and Electronics Engineers,2001 **Subject Guide to Microforms in Print** Albert James Diaz,1977 [Scientific and Technical Organizations and Agencies Directory](#) Peter D. Dresser,1994 *Thomas Register* ,2004 *Western Electrician* ,1894 [The Engineer](#) ,1916

Thank you unquestionably much for downloading **Power Systems Protection Engineering Training Idc**. Maybe you have knowledge that, people have look numerous time for their favorite books in imitation of this Power Systems Protection Engineering Training Idc, but stop happening in harmful downloads.

Rather than enjoying a good book in the same way as a cup of coffee in the afternoon, on the other hand they juggled similar to some harmful virus inside their computer. **Power Systems Protection Engineering Training Idc** is friendly in our digital library an online admission to it is set as public so you can download it instantly. Our digital library saves in combined countries, allowing you to get the most less latency time to download any of our books when this one. Merely said, the Power Systems Protection Engineering Training Idc is universally compatible taking into account any devices to read.

https://py.bijouxmedusa.com/book/uploaded-files/HomePages/Business_Automation_Roadmap_USA_15_681_Business_Automation_Roadmap_For.pdf

Table of Contents Power Systems Protection Engineering Training Idc

1. Understanding the eBook Power Systems Protection Engineering Training Idc
 - The Rise of Digital Reading Power Systems Protection Engineering Training Idc
 - Advantages of eBooks Over Traditional Books
2. Identifying Power Systems Protection Engineering Training Idc
 - Exploring Different Genres
 - Considering Fiction vs. Non-Fiction
 - Determining Your Reading Goals
3. Choosing the Right eBook Platform
 - Popular eBook Platforms
 - Features to Look for in an Power Systems Protection Engineering Training Idc
 - User-Friendly Interface
4. Exploring eBook Recommendations from Power Systems Protection Engineering Training Idc
 - Personalized Recommendations

- Power Systems Protection Engineering Training Idc User Reviews and Ratings
- Power Systems Protection Engineering Training Idc and Bestseller Lists
- 5. Accessing Power Systems Protection Engineering Training Idc Free and Paid eBooks
 - Power Systems Protection Engineering Training Idc Public Domain eBooks
 - Power Systems Protection Engineering Training Idc eBook Subscription Services
 - Power Systems Protection Engineering Training Idc Budget-Friendly Options
- 6. Navigating Power Systems Protection Engineering Training Idc eBook Formats
 - ePub, PDF, MOBI, and More
 - Power Systems Protection Engineering Training Idc Compatibility with Devices
 - Power Systems Protection Engineering Training Idc Enhanced eBook Features
- 7. Enhancing Your Reading Experience
 - Adjustable Fonts and Text Sizes of Power Systems Protection Engineering Training Idc
 - Highlighting and Note-Taking Power Systems Protection Engineering Training Idc
 - Interactive Elements Power Systems Protection Engineering Training Idc
- 8. Staying Engaged with Power Systems Protection Engineering Training Idc
 - Joining Online Reading Communities
 - Participating in Virtual Book Clubs
 - Following Authors and Publishers Power Systems Protection Engineering Training Idc
- 9. Balancing eBooks and Physical Books Power Systems Protection Engineering Training Idc
 - Benefits of a Digital Library
 - Creating a Diverse Reading Collection Power Systems Protection Engineering Training Idc
- 10. Overcoming Reading Challenges
 - Dealing with Digital Eye Strain
 - Minimizing Distractions
 - Managing Screen Time
- 11. Cultivating a Reading Routine Power Systems Protection Engineering Training Idc
 - Setting Reading Goals Power Systems Protection Engineering Training Idc
 - Carving Out Dedicated Reading Time
- 12. Sourcing Reliable Information of Power Systems Protection Engineering Training Idc
 - Fact-Checking eBook Content of Power Systems Protection Engineering Training Idc

- Distinguishing Credible Sources
- 13. Promoting Lifelong Learning
 - Utilizing eBooks for Skill Development
 - Exploring Educational eBooks
- 14. Embracing eBook Trends
 - Integration of Multimedia Elements
 - Interactive and Gamified eBooks

Power Systems Protection Engineering Training Idc Introduction

In today's digital age, the availability of Power Systems Protection Engineering Training Idc books and manuals for download has revolutionized the way we access information. Gone are the days of physically flipping through pages and carrying heavy textbooks or manuals. With just a few clicks, we can now access a wealth of knowledge from the comfort of our own homes or on the go. This article will explore the advantages of Power Systems Protection Engineering Training Idc books and manuals for download, along with some popular platforms that offer these resources. One of the significant advantages of Power Systems Protection Engineering Training Idc books and manuals for download is the cost-saving aspect. Traditional books and manuals can be costly, especially if you need to purchase several of them for educational or professional purposes. By accessing Power Systems Protection Engineering Training Idc versions, you eliminate the need to spend money on physical copies. This not only saves you money but also reduces the environmental impact associated with book production and transportation. Furthermore, Power Systems Protection Engineering Training Idc books and manuals for download are incredibly convenient. With just a computer or smartphone and an internet connection, you can access a vast library of resources on any subject imaginable. Whether you're a student looking for textbooks, a professional seeking industry-specific manuals, or someone interested in self-improvement, these digital resources provide an efficient and accessible means of acquiring knowledge. Moreover, PDF books and manuals offer a range of benefits compared to other digital formats. PDF files are designed to retain their formatting regardless of the device used to open them. This ensures that the content appears exactly as intended by the author, with no loss of formatting or missing graphics. Additionally, PDF files can be easily annotated, bookmarked, and searched for specific terms, making them highly practical for studying or referencing. When it comes to accessing Power Systems Protection Engineering Training Idc books and manuals, several platforms offer an extensive collection of resources. One such platform is Project Gutenberg, a nonprofit organization that provides over 60,000 free eBooks. These books are primarily in the public domain, meaning they can be freely distributed and downloaded. Project Gutenberg offers a wide range of classic literature, making it an excellent resource for literature enthusiasts. Another

popular platform for Power Systems Protection Engineering Training Idc books and manuals is Open Library. Open Library is an initiative of the Internet Archive, a non-profit organization dedicated to digitizing cultural artifacts and making them accessible to the public. Open Library hosts millions of books, including both public domain works and contemporary titles. It also allows users to borrow digital copies of certain books for a limited period, similar to a library lending system.

Additionally, many universities and educational institutions have their own digital libraries that provide free access to PDF books and manuals. These libraries often offer academic texts, research papers, and technical manuals, making them invaluable resources for students and researchers. Some notable examples include MIT OpenCourseWare, which offers free access to course materials from the Massachusetts Institute of Technology, and the Digital Public Library of America, which provides a vast collection of digitized books and historical documents. In conclusion, Power Systems Protection Engineering Training Idc books and manuals for download have transformed the way we access information. They provide a cost-effective and convenient means of acquiring knowledge, offering the ability to access a vast library of resources at our fingertips. With platforms like Project Gutenberg, Open Library, and various digital libraries offered by educational institutions, we have access to an ever-expanding collection of books and manuals. Whether for educational, professional, or personal purposes, these digital resources serve as valuable tools for continuous learning and self-improvement. So why not take advantage of the vast world of Power Systems Protection Engineering Training Idc books and manuals for download and embark on your journey of knowledge?

FAQs About Power Systems Protection Engineering Training Idc Books

1. Where can I buy Power Systems Protection Engineering Training Idc books? Bookstores: Physical bookstores like Barnes & Noble, Waterstones, and independent local stores. Online Retailers: Amazon, Book Depository, and various online bookstores offer a wide range of books in physical and digital formats.
2. What are the different book formats available? Hardcover: Sturdy and durable, usually more expensive. Paperback: Cheaper, lighter, and more portable than hardcovers. E-books: Digital books available for e-readers like Kindle or software like Apple Books, Kindle, and Google Play Books.
3. How do I choose a Power Systems Protection Engineering Training Idc book to read? Genres: Consider the genre you enjoy (fiction, non-fiction, mystery, sci-fi, etc.). Recommendations: Ask friends, join book clubs, or explore online reviews and recommendations. Author: If you like a particular author, you might enjoy more of their work.
4. How do I take care of Power Systems Protection Engineering Training Idc books? Storage: Keep them away from direct

- sunlight and in a dry environment. Handling: Avoid folding pages, use bookmarks, and handle them with clean hands. Cleaning: Gently dust the covers and pages occasionally.
5. Can I borrow books without buying them? Public Libraries: Local libraries offer a wide range of books for borrowing. Book Swaps: Community book exchanges or online platforms where people exchange books.
 6. How can I track my reading progress or manage my book collection? Book Tracking Apps: Goodreads, LibraryThing, and Book Catalogue are popular apps for tracking your reading progress and managing book collections. Spreadsheets: You can create your own spreadsheet to track books read, ratings, and other details.
 7. What are Power Systems Protection Engineering Training Idc audiobooks, and where can I find them? Audiobooks: Audio recordings of books, perfect for listening while commuting or multitasking. Platforms: Audible, LibriVox, and Google Play Books offer a wide selection of audiobooks.
 8. How do I support authors or the book industry? Buy Books: Purchase books from authors or independent bookstores. Reviews: Leave reviews on platforms like Goodreads or Amazon. Promotion: Share your favorite books on social media or recommend them to friends.
 9. Are there book clubs or reading communities I can join? Local Clubs: Check for local book clubs in libraries or community centers. Online Communities: Platforms like Goodreads have virtual book clubs and discussion groups.
 10. Can I read Power Systems Protection Engineering Training Idc books for free? Public Domain Books: Many classic books are available for free as they're in the public domain. Free E-books: Some websites offer free e-books legally, like Project Gutenberg or Open Library.

Find Power Systems Protection Engineering Training Idc :

~~business automation roadmap USA 15-681 business automation roadmap for~~
credit score improvement for beginners for creators 15-2621 credit score
America 15-377 productivity hacks comparison USA 15-384 productivity
States 15-1674 YouTube growth case study United States 15-767 YouTube
credit score improvement step by step USA 15-895 credit score
study USA 15-1696 coding for beginners case study for small business
ideas for beginners for creators 15-810 small business ideas for
15-1227 freelancing online best practices USA 15-2102 freelancing online
~~tips checklist for creators 15-2958 interview tips checklist for~~

roadmap for small business 15-1838 fitness routines roadmap for small 15-2947 chatbot development best practices for entrepreneurs 15-523 examples America 15-1232 sustainable living examples USA 15-1300

guide America 15-2390 Instagram growth guide America 15-466 Instagram

creators 15-2246 business automation blueprint for entrepreneurs 15-1821

States 15-1047 AI marketing tools for small business 15-2784 AI

Power Systems Protection Engineering Training Idc :

tourism assessment in 2014 qr bonide com - Dec 07 2022

web 2 tourism assessment in 2014 2019 10 08 tourism assessment in 2014 downloaded from qr bonide com by guest ashley carlee the role of service in the tourism hospitality industry routledge this volume serves to expand theory driven understandings of active sport tourism by showcasing five empirical studies examining a variety of *approach to regional tourism potential assessment in view of* - Nov 06 2022

web nov 21 2022 the research methodology presents an algorithm for assessing the tourism ecosystem formation attractiveness through assessment of key performance indicators assessing territorial tp the purpose of the study is to develop strategic guidelines for increasing the efficiency of using tourism potential to form a regional ecosystem a case

tourism and the environment eionet portal - Jun 01 2022

web key assessment for all trips made by europeans in 2014 motor vehicles private or rented were the main means of transport used by 64 4 of travelers followed by air and railway transport 15 6 and 11 6 respectively

2014 yılında turizmden 34 3 milyar dolar geldi dünya gazetesi - Jan 08 2023

web jan 30 2015 turizm gelirleri 2014 yılı genelinde ise bir önceki yıla göre yüzde 6 2 artışla 34 3 milyar dolara yükseldi dördüncü çeyrek verileri turizm geliri ekim kasım ve aralık aylarından oluşan iv çeyrekte bir önceki yılın aynı çeyreğine göre yüzde 1 3 azalarak 7 milyar 667 milyon 719 bin dolar oldu

tourism assessment in 2014 uniport edu ng - Jan 28 2022

web jul 28 2023 tourism assessment in 2014 1 13 downloaded from uniport edu ng on july 28 2023 by guest tourism assessment in 2014 thank you very much for reading tourism assessment in 2014 maybe you have knowledge that people have look hundreds times for their favorite novels like this tourism assessment in 2014 but end up in infectious

redefining assessment in tourism and hospitality education - Sep 04 2022

web feb 19 2021 this study examined the alignment between the current assessment practices used by heis and the competencies demanded by the hospitality and tourism industry

approach to regional tourism potential assessment in view of - Jul 02 2022

web nov 21 2022 the approaches to determining the level of attractiveness of a region for the formation of a tourism ecosystem based on the assessment of its tourism potential tp are the research subject

tÜrsab 2014 turizm sezonu raporu tursab org tr - Jul 14 2023

web kaçak acentalara dikkat sektör 2014 yılını yüzde 8 10 büyümeyle kapatmayı hedeflerken tÜrsab başkanı başaran ulusoy tatilcileri kaçak acentalara karşı uyardı

over 1 1 billion tourists travelled abroad in 2014 unwto - Aug 15 2023

web jan 27 2015 for 2015 unwto forecasts international tourism to grow by 3 to 4 further contributing to the global economic recovery the number of international tourists overnight visitors reached 1 138 million in 2014 51 million more than in 2013

tourism assessment in 2014 uniport edu ng - Dec 27 2021

web aug 7 2023 tourism assessment in 2014 2 13 downloaded from uniport edu ng on august 7 2023 by guest countries regions and cities can realise the potential benefits from linking tourism and creativity key policy issues are identified islandscapes and tourism joseph m cheer 2023 04 07 the links between islands

pdf student outcome assessment on tourism program for 2014 - Feb 09 2023

web sep 17 2022 an action plan was proposed based on the result of the study for improvement and it was recommended for tourism students to be exposed to a variety of local and worldwide tourism fields not only

tourism assessment in 2014 sam arabtravelers com - Apr 30 2022

web the business of sustainable tourism development and management maori tourism capability assessment report 2014 the impact of tourist activities on low density territories a socio economic assessment of marine turtle eco tourism private sector assessment for palau tourism recreation and climate change impact assessment

tourism assessment in 2014 pdf 2023 devy ortax - Oct 05 2022

web introduction tourism assessment in 2014 pdf 2023 tourism recovery from covid 19 prospects for over and under tourism regions anna trono 2022 10 14 in recent years discussion on tourism has focused mainly on global problems relating to the over exploitation of space leaving other aspects of the development of tourist activities

tourism and the environment eionet portal - May 12 2023

web key assessment in 2014 there was a total number of 906 million tourism arrivals in all the 28 eu countries 567 million of which were from residents domestic tourists and the other 339 million were non residents international tourists these numbers include arrivals at tourist accommodation establishments and do

tourism under a life cycle thinking approach a review of - Mar 10 2023

web nov 1 2022 in view of the methodological advantages of the lca concept which include several impact categories or environmental indicators there is a clear need for more research on tourism impact assessment which would be based on life cycle considerations filimonau 2016

[tourism assessment in 2014 test2 rmets org](#) - Mar 30 2022

web tourism assessment in 2014 tourism in the caribbean wikipedia may 7th 2018 tourism is one of the caribbean s major economic sectors with 25 million visitors contributing 49 billion towards the area s gross domestic product in 2013 which represented 14 of its total gdp conference program wseas

[tourism assessment in 2014](#) - Feb 26 2022

web tourism assessment in 2014 slumtourism net home of the slum tourism research network may 8th 2018 abstract tourist agency is an area of renewed interest in tourism studies reflecting on existing scholarship the paper identifies develops and critically examines three main approaches to tourism agency namely

tourists perceptions and assessments vol 8 emerald insight - Apr 11 2023

web citation 2014 tourists perceptions and assessments tourists perceptions and assessments advances in culture tourism and hospitality research vol 8 emerald group publishing limited bingley p i doi org 10 1108 s1871 31732014000008017

tourism and the environment eionet portal - Aug 03 2022

web trend analyses have shown that number of tourist has increased 36 between 2002 and 2014 on annual scale in the same period of time summer tourists have increased 39

innovative tools for tourism and cultural tourism impact assessment - Jun 13 2023

web sep 10 2020 for the identification of recent key trends regarding policy monitoring and evaluation the use of data and tools generally and in the fields of tourism and cultural tourism academic sources were mapped using key terms tourism impact assessment evaluation data cultural tourism

kombucha mythos wahrheit faszination das biologisch aktive - Jul 21 2022

web kombucha mythos wahrheit faszination das biologis 1 kombucha mythos wahrheit faszination das biologis grandma s house kombucha miracle fungus soft matter

[kombucha mythos wahrheit faszination das biologis book](#) - Oct 24 2022

web kombucha mythos wahrheit faszination das biologis congress volume munich 2013 feb 20 2023 this volume presents the main lectures of the 21st congress of the

[download solutions kombucha mythos wahrheit faszination](#) - Sep 22 2022

web sep 22 2023 kombucha mythos wahrheit faszination das biologisch aktive naturgetränk was es für sie persönlich tun kann by günther w frank mit deckel und

8 kombucha myths you shouldn't believe the culture ko - Nov 24 2022

web mythos und mythologie jun 25 2021 mythen dienen der bewältigung praktischer gesellschaftlicher probleme sie bieten anleitungen zum poetischen und praktisch

kombucha mythos wahrheit faszination das biologisch aktive - Mar 17 2022

web kombucha das tee-pilzgetränk praxisgerechte anleitung kombucha mythos wahrheit faszination von günther w kostenloser download von büchern weitere online copyright

kombucha mythos wahrheit faszination das biologis copy - Jan 27 2023

web may 26th 2020 kombucha mythos wahrheit faszination das biologisch aktive naturgetränk was es für sie persönlich tun kann tee-pilz kombucha das naturheilmittel

kombucha mythos wahrheit faszination das biologisch aktive - May 31 2023

web cases you likewise reach not discover the broadcast kombucha mythos wahrheit faszination das biologis that you are looking for it will entirely squander the time

kombucha mythos wahrheit faszination das biologisch aktive - Nov 12 2021

kombucha mythos wahrheit faszination das biologisch aktive - Dec 26 2022

web oct 1 2020 myth 1 kombucha is high in caffeine reality kombucha only has around 1/3rd the caffeine as compared to the tea that it's made from during the fermentation

kombucha mythos wahrheit faszination das biologisch aktive - Apr 17 2022

web kombucha mythos wahrheit faszination das biologisch aktive naturgetränk was es für sie persönlich tun kann starterkulturen für wasserkefir für die zubereitung von mindestens 60

kombucha mythos wahrheit faszination das biologis - Dec 14 2021

web autorenkommentar anmerkungen des autors zu seinem buch mein zweites kombucha buch kombucha mythos wahrheit faszination das biologisch aktive getränk

kombucha mythos wahrheit faszination das biologisch aktive - Aug 02 2023

web speedily download this kombucha mythos wahrheit faszination das biologis after getting deal so considering you require the book swiftly you can straight acquire it its

kombucha mythos wahrheit faszination das biologis wolfgang - Apr 29 2023

web kombucha mythos wahrheit faszination das biologis streifzug durch die jahreszeiten nov 07 2020 die natur kann uns mit ihrer schönheit und vielfalt ein unermesslich

kombucha mythos wahrheit faszination das - Oct 04 2023

web kombucha mythos wahrheit faszination das biologisch aktive naturgetränk was es für sie persönlich tun kann author günther w frank publisher ennsthaller 1999

kombucha mythos wahrheit faszination das biologisch aktive - Sep 03 2023

web may 21 2023 kombucha mythos wahrheit faszination das biologisch aktive naturgetränk was es für sie persönliche tun kann 4 5 5 napisz opini dodaj read pdf

kombucha mythos wahrheit faszination das biologis jennifer - Jul 01 2023

web mythos wahrheit faszination das biologisch aktive naturgetränk was es für sie persönlich tun kann von frank günther w beim zvb com isbn 10 3850685551

kombucha mythos wahrheit faszination das biologis - Jun 19 2022

web 7 kombucha myths in serious need of busting the seven biggest kombucha myths regarding this healthful traditional beverage which are costing consumers money or

kombucha mythos wahrheit faszination das biologis pdf - Feb 25 2023

web kombucha mythos wahrheit faszination das biologis humankind timothy morton 2017 08 22 a radical call for solidarity between humans and non humans what is it that

7 kombucha myths in serious need of busting the healthy - May 19 2022

web may 21 2023 appellé mère de kombucha vulgairement champignon membrane kombucha mythos wahrheit faszination das biologisch aktive naturgetränk was es für

download free kombucha mythos wahrheit faszination das - Mar 29 2023

web kombucha mythos wahrheit faszination das biologis downloaded from bk swordsswords com by guest page mareli the gathering of the forces of light vintage canada speaking

kombucha mythos wahrheit faszination das biologisch aktive - Jan 15 2022

web kombucha mythos wahrheit faszination das biologis an enchanting literary treasure overflowing with fresh emotions lies an immersive symphony waiting to be embraced

kombucha mythos wahrheit faszination das biologisch aktive - Aug 22 2022

web oct 3 2023 may 18th 2020 de günther w frank kombucha mythos wahrheit faszination das biologisch aktive naturgetränk was es für sie persönlich tun kann

kombucha mythos wahrheit faszination das biologisch aktive - Feb 13 2022

web may 3rd 2020 frank günther w kombucha mythos wahrheit faszination das biologisch aktive naturgetränk was es für sie persönlich tun kann langue allemand ennsthaller 1999

wordpress fur entwickler crashkurs by david remer - Nov 30 2022

web wordpress für entwickler crashkurs german edition on amazon com free shipping on qualifying offers wordpress für entwickler crashkurs german edition

wordpress für entwickler crashkurs - Mar 23 2022

web jul 3 2023 wordpress für entwickler crashkurs 2 9 downloaded from uniport edu ng on july 3 2023 by guest today s fonts are designed with the screen in mind dissects the

wordpress für entwickler crashkurs german edition paperback - Oct 30 2022

web buy wordpress für entwickler crashkurs by david remer online at alibris we have new and used copies available in 1 editions starting at 40 00 shop now

wordpress für entwickler crashkurs uniport edu ng - Feb 19 2022

web books gone this one merely said the wordpress für entwickler crashkurs is universally compatible in the manner of any devices to read henry david thoreau milton meltzer

wordpress für entwickler crashkurs by david remer - Mar 03 2023

web en beğenilen eğitimcilerden wordpress öğrenin wordpress kullanarak bir web site oluşturmaktan wordpress ile blog oluşturmaya ve hatta bir wordpress geliştiricisi

wordpress für entwickler crashkurs paperback 18 mar 2019 - Jun 06 2023

web wordpress für entwickler book read reviews from world s largest community for readers wordpress hat sich über die letzten jahre zu dem wichtigsten cms

wordpress für entwickler crashkurs 9783749439201 cultura - Jul 27 2022

web in diesem kurs erstellen wir gemeinsam eine webseite in nur wenigen minuten du wirst lernen wie du selbst webseiten mit html css und javascript erstellen kannst der

wordpress für entwickler crashkurs by david remer goodreads - May 05 2023

web hello sign in account lists returns orders shopping basket

wordpress für entwickler crashkurs uniport edu ng - Dec 20 2021

web jul 23 2023 wordpress für entwickler crashkurs 3 19 downloaded from uniport edu ng on july 23 2023 by guest steps but also steady hope 48 pp practical object oriented

wordpress eğitimi kursları ve eğitici İçerikleri wordpress i - Feb 02 2023

web amazon in buy wordpress für entwickler crashkurs book online at best prices in india on amazon in read wordpress für entwickler crashkurs book reviews author

wordpress für entwickler crashkurs uniport edu ng - Jan 21 2022

web wordpress für entwickler crashkurs 1 1 downloaded from uniport edu ng on september 12 2023 by guest wordpress für

entwickler crashkurs when somebody should go to

[wordpress für entwickler crashkurs amazon de](#) - Apr 04 2023

web find many great new used options and get the best deals for wordpress fur entwickler crashkurs by david remer

paperback 2019 at the best online prices at ebay free

an easy wordpress crash course to get your started - Aug 28 2022

web wordpress hat sich über die letzten jahre zu dem wichtigsten cms im internet entwickelt mit diesem buch erhalten sie

einen umfassenden einblick wie sie als webentwickler

wordpress für entwickler crashkurs david remer google books - Jul 07 2023

web buy wordpress für entwickler crashkurs by remer david isbn 9783749429080 from amazon s book store everyday low prices and free delivery on eligible orders

[wordpress crashkurs](#) - May 25 2022

web mar 30 2023 wordpress fur entwickler crashkurs 2 12 downloaded from uniport edu ng on march 30 2023 by guest

quickly and easily if you re familiar with this utility grep

wordpress für entwickler crashkurs david remer google books - Aug 08 2023

web mit diesem buch erhalten sie einen umfassenden einblick wie sie als webentwickler wordpress mit hilfe von plugins und

themes ausbauen dazu werden die spezifischen

[wordpress für entwickler crashkurs amazon de](#) - Oct 10 2023

web wordpress für entwickler crashkurs remer david isbn 9783749429080 kostenloser versand für alle bücher mit versand und verkauf duch amazon

[webentwicklung crashkurs zum entwickler in 3 stunden udemy](#) - Jun 25 2022

web wordpress crashkurs

wordpress fur entwickler crashkurs uniport edu ng - Nov 18 2021

[wordpress für entwickler crashkurs amazon de](#) - Sep 09 2023

web wordpress für entwickler crashkurs author david remer publisher books on demand 2019 isbn 3749439206

9783749439201 export citation

wordpress fur entwickler crashkurs uniport edu ng - Apr 23 2022

web wordpress fur entwickler crashkurs below henry david thoreau milton meltzer 2006 12 22 profiles the solitary student of

ralph waldo emerson who was well known as a

[wordpress f r entwickler crashkurs by david remer alibris](#) - Sep 28 2022

web there are thousands to choose from and you can take your time and add more functions as your site develops 7 create amazing content after customizing your theme and adding

buy wordpress für entwickler crashkurs book online at low - Jan 01 2023

web wordpress hat sich über die letzten jahre zu dem wichtigsten cms im internet entwickelt mit diesem buch erhalten sie einen umfassenden einblick wie sie als webentwickler