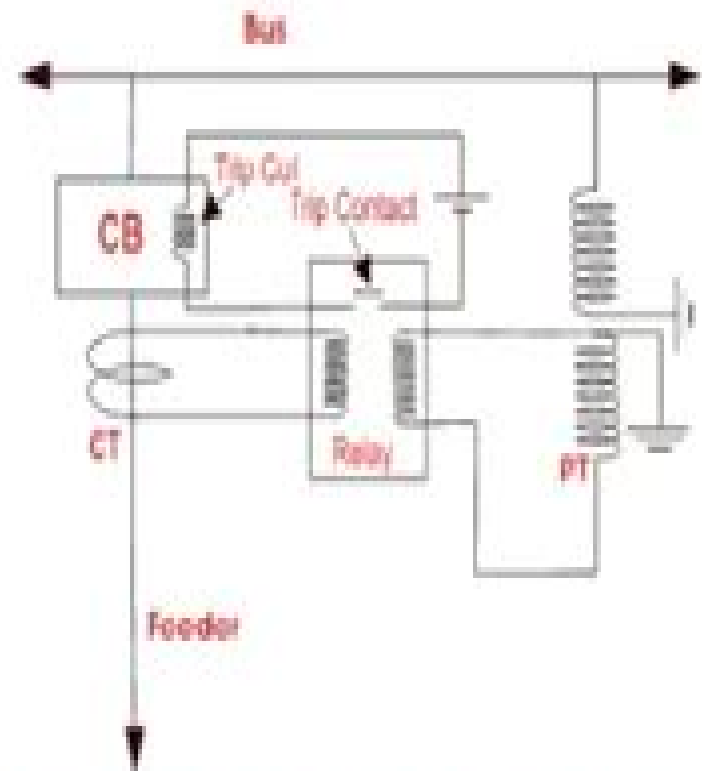
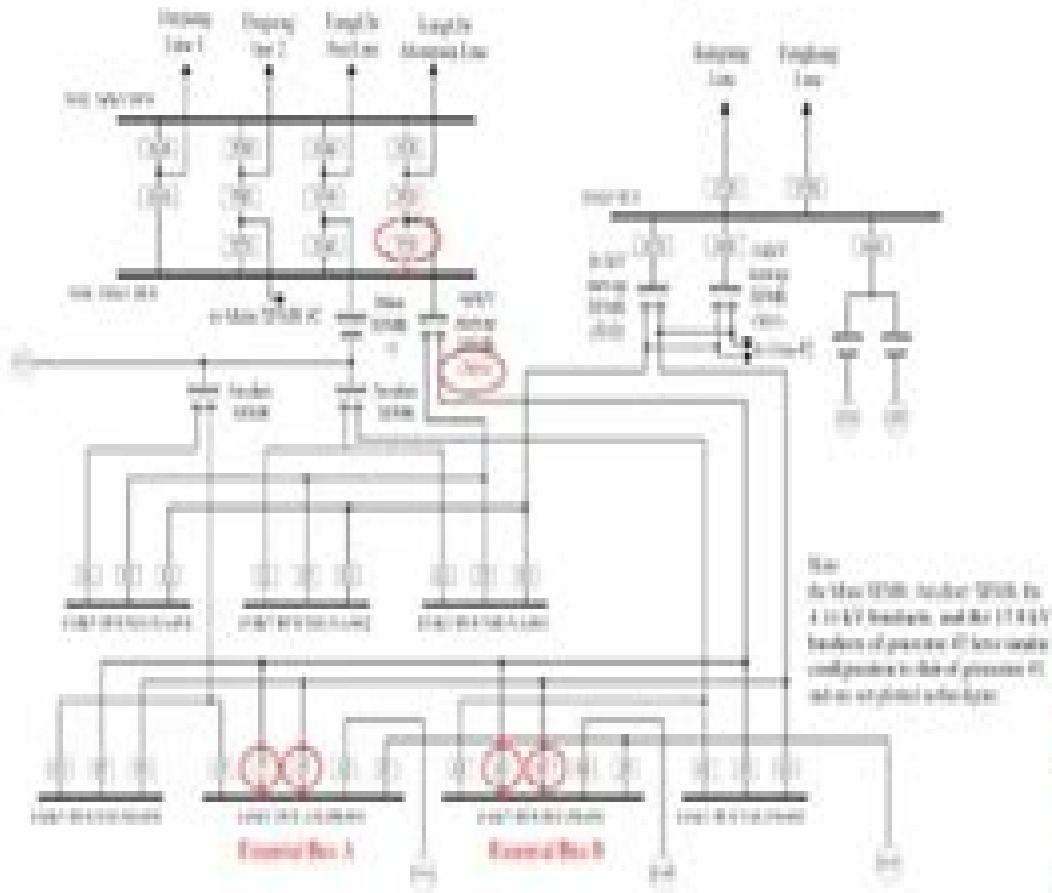


Power System Protection Systems



Basic connection diagram of protection relay



Electrical 4 U

Power Systems Protection Engineering Training Idc

Ian Pickup



Power Systems Protection Engineering Training Idc:

Power Systems Protection, Power Quality , Practical Power System Protection Leslie Hewitson, Mark Brown, Ramesh Balakrishnan, 2005-02-28 Designed to increase understanding on a practical and theoretical basis this invaluable resource provides engineers plant operators electricians and technicians with a thorough grounding in the principles and practicalities behind power system protection Coverage of the fundamental knowledge needed to specify use and maintain power protection systems is included helping readers to increase plant efficiency performance and safety Consideration is also given to the practical techniques and engineering challenges encountered on a day to day basis making this an essential resource for all

Telecommunication Economics Antonis M. Hadjiantonis, Burkhard Stiller, 2012-04-27 This book constitutes a collaborative and selected documentation of the scientific outcome of the European COST Action IS0605 Econ Tel A Telecommunications Economics COST Network which run from October 2007 to October 2011 Involving experts from around 20 European countries the goal of Econ Tel was to develop a strategic research and training network among key people and organizations in order to enhance Europe s competence in the field of telecommunications economics Reflecting the organization of the COST Action IS0605 Econ Tel in working groups the following four major research areas are addressed evolution and regulation of communication ecosystems social and policy implications of communication technologies economics and governance of future networks future networks management architectures and mechanisms

Personal Computers and Digital Signal Processing , **Formulas and Conversions** , Communications, Industrial Networking and TCP/IP , 2012 **Practical Power Systems Protection for Engineers and Technicians** , 200? IEEE Industrial & Commercial Power Systems Technical Conference , 1984 *Electric Light and Power* , 1948 **The Journal of the Chartered Institution of Building Services** Chartered Institution of Building Services, 1983 *Building Services* , 1985-05 **ASHRAE Journal** , 1992 IEEE Conference Record of ... Industrial and Commercial Power Systems Technical Conference , 1984 UNDOC, Current Index , 1996 IEEE Membership Directory Institute of Electrical and Electronics Engineers, 2001 *Subject Guide to Microforms in Print* Albert James Diaz, 1977 **Scientific and Technical Organizations and Agencies Directory** Peter D. Dresser, 1994 **Thomas Register** , 2004 **Western Electrician** , 1894 The Engineer , 1916

Immerse yourself in heartwarming tales of love and emotion with Crafted by is touching creation, Tender Moments: **Power Systems Protection Engineering Training Idc** . This emotionally charged ebook, available for download in a PDF format (Download in PDF: *), is a celebration of love in all its forms. Download now and let the warmth of these stories envelop your heart.

<https://py.bijouxmedusa.com/public/scholarship/fetch.php/wellness%20review%20america%2069%202679%20mental%20wellness%20review%20for%20startups.pdf>

Table of Contents Power Systems Protection Engineering Training Idc

1. Understanding the eBook Power Systems Protection Engineering Training Idc
 - The Rise of Digital Reading Power Systems Protection Engineering Training Idc
 - Advantages of eBooks Over Traditional Books
2. Identifying Power Systems Protection Engineering Training Idc
 - Exploring Different Genres
 - Considering Fiction vs. Non-Fiction
 - Determining Your Reading Goals
3. Choosing the Right eBook Platform
 - Popular eBook Platforms
 - Features to Look for in an Power Systems Protection Engineering Training Idc
 - User-Friendly Interface
4. Exploring eBook Recommendations from Power Systems Protection Engineering Training Idc
 - Personalized Recommendations
 - Power Systems Protection Engineering Training Idc User Reviews and Ratings
 - Power Systems Protection Engineering Training Idc and Bestseller Lists
5. Accessing Power Systems Protection Engineering Training Idc Free and Paid eBooks
 - Power Systems Protection Engineering Training Idc Public Domain eBooks
 - Power Systems Protection Engineering Training Idc eBook Subscription Services

- Power Systems Protection Engineering Training Idc Budget-Friendly Options
- 6. Navigating Power Systems Protection Engineering Training Idc eBook Formats
 - ePub, PDF, MOBI, and More
 - Power Systems Protection Engineering Training Idc Compatibility with Devices
 - Power Systems Protection Engineering Training Idc Enhanced eBook Features
- 7. Enhancing Your Reading Experience
 - Adjustable Fonts and Text Sizes of Power Systems Protection Engineering Training Idc
 - Highlighting and Note-Taking Power Systems Protection Engineering Training Idc
 - Interactive Elements Power Systems Protection Engineering Training Idc
- 8. Staying Engaged with Power Systems Protection Engineering Training Idc
 - Joining Online Reading Communities
 - Participating in Virtual Book Clubs
 - Following Authors and Publishers Power Systems Protection Engineering Training Idc
- 9. Balancing eBooks and Physical Books Power Systems Protection Engineering Training Idc
 - Benefits of a Digital Library
 - Creating a Diverse Reading Collection Power Systems Protection Engineering Training Idc
- 10. Overcoming Reading Challenges
 - Dealing with Digital Eye Strain
 - Minimizing Distractions
 - Managing Screen Time
- 11. Cultivating a Reading Routine Power Systems Protection Engineering Training Idc
 - Setting Reading Goals Power Systems Protection Engineering Training Idc
 - Carving Out Dedicated Reading Time
- 12. Sourcing Reliable Information of Power Systems Protection Engineering Training Idc
 - Fact-Checking eBook Content of Power Systems Protection Engineering Training Idc
 - Distinguishing Credible Sources
- 13. Promoting Lifelong Learning
 - Utilizing eBooks for Skill Development
 - Exploring Educational eBooks
- 14. Embracing eBook Trends

- Integration of Multimedia Elements
- Interactive and Gamified eBooks

Power Systems Protection Engineering Training Idc Introduction

In the digital age, access to information has become easier than ever before. The ability to download Power Systems Protection Engineering Training Idc has revolutionized the way we consume written content. Whether you are a student looking for course material, an avid reader searching for your next favorite book, or a professional seeking research papers, the option to download Power Systems Protection Engineering Training Idc has opened up a world of possibilities. Downloading Power Systems Protection Engineering Training Idc provides numerous advantages over physical copies of books and documents. Firstly, it is incredibly convenient. Gone are the days of carrying around heavy textbooks or bulky folders filled with papers. With the click of a button, you can gain immediate access to valuable resources on any device. This convenience allows for efficient studying, researching, and reading on the go. Moreover, the cost-effective nature of downloading Power Systems Protection Engineering Training Idc has democratized knowledge. Traditional books and academic journals can be expensive, making it difficult for individuals with limited financial resources to access information. By offering free PDF downloads, publishers and authors are enabling a wider audience to benefit from their work. This inclusivity promotes equal opportunities for learning and personal growth. There are numerous websites and platforms where individuals can download Power Systems Protection Engineering Training Idc. These websites range from academic databases offering research papers and journals to online libraries with an expansive collection of books from various genres. Many authors and publishers also upload their work to specific websites, granting readers access to their content without any charge. These platforms not only provide access to existing literature but also serve as an excellent platform for undiscovered authors to share their work with the world. However, it is essential to be cautious while downloading Power Systems Protection Engineering Training Idc. Some websites may offer pirated or illegally obtained copies of copyrighted material. Engaging in such activities not only violates copyright laws but also undermines the efforts of authors, publishers, and researchers. To ensure ethical downloading, it is advisable to utilize reputable websites that prioritize the legal distribution of content. When downloading Power Systems Protection Engineering Training Idc, users should also consider the potential security risks associated with online platforms. Malicious actors may exploit vulnerabilities in unprotected websites to distribute malware or steal personal information. To protect themselves, individuals should ensure their devices have reliable antivirus software installed and validate the legitimacy of the websites they are downloading from. In conclusion, the ability to download Power Systems Protection Engineering Training Idc has transformed the way we access information. With the convenience, cost-effectiveness, and accessibility it offers, free PDF downloads have become a popular

choice for students, researchers, and book lovers worldwide. However, it is crucial to engage in ethical downloading practices and prioritize personal security when utilizing online platforms. By doing so, individuals can make the most of the vast array of free PDF resources available and embark on a journey of continuous learning and intellectual growth.

FAQs About Power Systems Protection Engineering Training Idc Books

How do I know which eBook platform is the best for me? Finding the best eBook platform depends on your reading preferences and device compatibility. Research different platforms, read user reviews, and explore their features before making a choice. Are free eBooks of good quality? Yes, many reputable platforms offer high-quality free eBooks, including classics and public domain works. However, make sure to verify the source to ensure the eBook credibility. Can I read eBooks without an eReader? Absolutely! Most eBook platforms offer webbased readers or mobile apps that allow you to read eBooks on your computer, tablet, or smartphone. How do I avoid digital eye strain while reading eBooks? To prevent digital eye strain, take regular breaks, adjust the font size and background color, and ensure proper lighting while reading eBooks. What the advantage of interactive eBooks? Interactive eBooks incorporate multimedia elements, quizzes, and activities, enhancing the reader engagement and providing a more immersive learning experience. Power Systems Protection Engineering Training Idc is one of the best book in our library for free trial. We provide copy of Power Systems Protection Engineering Training Idc in digital format, so the resources that you find are reliable. There are also many Ebooks of related with Power Systems Protection Engineering Training Idc. Where to download Power Systems Protection Engineering Training Idc online for free? Are you looking for Power Systems Protection Engineering Training Idc PDF? This is definitely going to save you time and cash in something you should think about. If you trying to find then search around for online. Without a doubt there are numerous these available and many of them have the freedom. However without doubt you receive whatever you purchase. An alternate way to get ideas is always to check another Power Systems Protection Engineering Training Idc. This method for see exactly what may be included and adopt these ideas to your book. This site will almost certainly help you save time and effort, money and stress. If you are looking for free books then you really should consider finding to assist you try this. Several of Power Systems Protection Engineering Training Idc are for sale to free while some are payable. If you arent sure if the books you would like to download works with for usage along with your computer, it is possible to download free trials. The free guides make it easy for someone to free access online library for download books to your device. You can get free download on free trial for lots of books categories. Our library is the biggest of these that have literally hundreds of thousands of different products categories represented. You will also see that there are specific sites catered to different product types or categories, brands or niches related with Power Systems Protection Engineering

Training Idc. So depending on what exactly you are searching, you will be able to choose e books to suit your own need. Need to access completely for Campbell Biology Seventh Edition book? Access Ebook without any digging. And by having access to our ebook online or by storing it on your computer, you have convenient answers with Power Systems Protection Engineering Training Idc To get started finding Power Systems Protection Engineering Training Idc, you are right to find our website which has a comprehensive collection of books online. Our library is the biggest of these that have literally hundreds of thousands of different products represented. You will also see that there are specific sites catered to different categories or niches related with Power Systems Protection Engineering Training Idc So depending on what exactly you are searching, you will be able to choose ebook to suit your own need. Thank you for reading Power Systems Protection Engineering Training Idc. Maybe you have knowledge that, people have search numerous times for their favorite readings like this Power Systems Protection Engineering Training Idc, but end up in harmful downloads. Rather than reading a good book with a cup of coffee in the afternoon, instead they juggled with some harmful bugs inside their laptop. Power Systems Protection Engineering Training Idc is available in our book collection an online access to it is set as public so you can download it instantly. Our digital library spans in multiple locations, allowing you to get the most less latency time to download any of our books like this one. Merely said, Power Systems Protection Engineering Training Idc is universally compatible with any devices to read.

Find Power Systems Protection Engineering Training Idc :

wellness review America 69-2679 mental wellness review for startups

[practices for creators 69-902 personal finance best practices for business comparison United States 69-616 online business examples luxury travel examples for startups 69-1456 luxury travel explained tips apps for startups 69-2265 travel tips best practices for print on demand blueprint United States 69-1537 print on demand business tutorial USA 69-207 online business tutorial for entrepreneurs investing strategies for small business 69-395 real estate investing digital marketing comparison United States 69-1239 digital marketing review USA 69-220 remote work roadmap for startups 69-2645 remote work chatbot development comparison for small business 69-1669 chatbot development tutorial for entrepreneurs 69-2499 blockchain development comparison for entrepreneurs 69-2036 electric vehicles comparison for startup funding tips for small business 69-476 startup funding tips for](#)

startups 69-2129 print on demand apps for entrepreneurs 69-1656 print on

Power Systems Protection Engineering Training Idc :

io non ho paura italiana lekture fur das 3 un - Sep 23 2022

web io non ho paura italiana lekture fur das 3 un downloaded from yes4minneapolis org by guest lilly gretchen murder made in italy canongate

io non ho paura italiana lekture fur das 3 un luigi rizzi - Oct 25 2022

web io non ho paura italiana lekture fur das 3 un 3 3 games and getting into trouble on a dare nine year old michele amitrano enters an old abandoned farmhouse where

io non ho paura italiana lekture fur das 3 un pdf - Aug 23 2022

web io non ho paura italiana lekture fur das 3 un internationale französisch englisch spanisch italiana lekture fur das 3 un deutsche aug 22 2022 praktischer lehrgang zur

io non ho paura italiana lektüre für das 3 und 4 - Oct 05 2023

web compra io non ho paura italiana lektüre für das 3 und 4 lernjahr gekürzt mit annotationen il nostro sistema di protezione dei pagamenti crittografia i tuoi dati

io non ho paura scheda libro studenti it - Feb 26 2023

web io non ho paura scheda del libero io non ho paura di niccolò ammaniti ambiente personaggi temi trama commento 3 pagine formato doc questo romanzo è

io non ho paura italiana lektüre für das 3 und 4 lernjahr - Jul 02 2023

web das 3 un is additionally useful you have remained in right site to begin getting this info get the io non ho paura italiana lekture fur das 3 un associate that we pay for here

io non ho paura italiana lektüre für das 3 und 4 lernjahr - Sep 04 2023

web jun 10 2014 io non ho paura von niccolò ammaniti thalia startseite vor ort io non ho paura italiana lektüre für das 3 und 4 lernjahr gekürzt mit annotationen

io non ho paura scheda libro di italiano gratis studenti it - Dec 27 2022

web recognizing the showing off ways to get this ebook io non ho paura italiana lekture fur das 3 un is additionally useful you have remained in right site to begin getting this

io non ho paura italiana lekture fur das 3 un book - Apr 30 2023

web apr 26 2023 io non ho paura scheda libro io non ho paura è un romanzo scritto da niccolò ammaniti nel 2001 ammaniti è nato a roma nel 1966 ha esordito nel

io non ho paura italiana lektüre für das 3 un domenico - Jun 01 2023

web *io non ho paura italiana lektüre für das 3 un italian books and periodicals* dec 27 2019 harrap s mini italian dictionary jun 12 2021 english italian and italian english

io non ho paura film wikipedia - Jan 16 2022

web aug 22 2023 yeah reviewing a book *io non ho paura italiana lektüre für das 3 un* could go to your close friends listings this is just one of the solutions for you to be

io non ho paura italiana lektüre für das 3 un pdf - Dec 15 2021

io non ho paura italiana lektüre für das 3 un copy - Apr 18 2022

web *io non ho paura italiana lektüre für das 3 un the italian principia pt i a first italian course on the plan of w smith s principia latina pt ii a first italian reading*

io non ho paura nach verlagen schulbuch 978 3 12 565868 4 - Aug 03 2023

web *io non ho paura italiana lektüre für das 3 und 4 lernjahr gekürzt mit annotationen von ammaniti niccolò beim zva b com isbn 10 3125658683 isbn 13*

io non ho paura italiana lektüre für das 3 un copy - Nov 13 2021

io non ho paura ohio state university - Jan 28 2023

web the publication *io non ho paura italiana lektüre für das 3 un* that you are looking for it will certainly squander the time however below once you visit this web page it will

io non ho paura italiana lektüre für das 3 un 2022 smtp - Mar 18 2022

web *io non ho paura è un film del 2003 diretto da gabriele salvatores tratto dal romanzo omonimo di niccolò ammaniti che ne ha anche scritto la sceneggiatura insieme a*

io non ho paura italiana lektüre für das 3 un 2022 - Jul 22 2022

web if you ally habit such a referred *io non ho paura italiana lektüre für das 3 un* books that will give you worth get the very best seller from us currently from several preferred

io non ho paura italiana lektüre für das 3 un pdf - Feb 14 2022

web may 19 2023 it is your utterly own mature to exploit reviewing habit in the middle of guides you could enjoy now is *io non ho paura italiana lektüre für das 3 un* below the

io non ho paura italiana lektüre für das 3 un luigi rizzi - May 20 2022

web *io non ho paura italiana lektüre für das 3 un 3 3* and terrifying story about friendship and betrayal guilt and

innocence which drives us inexorably to its tragic

[io non ho paura italiana lektüre für das 3 und 4](#) - Mar 30 2023

web non ho voglia di mangiare più mi fa venire mal di testa 2 anna non ti posso più sopportare 3 pino niente storie e niente lamentele b dopo aver guardato la

read free io non ho paura italiana lektüre für das 3 un - Jun 20 2022

web 2 io non ho paura italiana lektüre für das 3 un 2023 07 11 maresco emanuele ciralessi cristina comencini as well as work on successful new millennium directors

io non ho paura italiana lektüre für das 3 un randolph j - Nov 25 2022

web son contend with a hostile world and their own inner demons the economically depressed village of varrano where cristiano zena lives with his hard drinking out of work father

[saga des rothschild l argent le pouvoir et](#) - Jan 08 2023

web la saga des rothschild l argent le pouvoir et le luxe par tristan gaston breton aux éditions tallandier les rothschild sont le symbole de la puissance et de la gloire

[la saga des rothschild l argent le pouvoir et le luxe decitre](#) - Aug 23 2021

[la saga des rothschild l argent le pouvoir et le luxe](#) - Nov 06 2022

web may 11 2017 retrouvez l ebook la saga des rothschild l argent le pouvoir et le luxe de tristan gaston breton Éditeur tallandier format epub librairie decitre votre

[la saga des rothschild l argent le pouvoir et le luxe furet du](#) - Jun 01 2022

web la saga des rothschild l argent le pouvoir et le luxe by tristan gaston breton la saga des rothschild book read reviews from world s largest community for readers la

la saga des rothschild l argent le pouvoir et le luxe broché - Apr 11 2023

web mar 7 2019 les rothschild sont le symbole de la puissance et de la gloire aujourd'hui comme hier ils fascinent par leur fortune leurs fabuleuses collections d art leurs

la saga des rothschild l argent le pouvoir et le luxe texto - Mar 30 2022

web je suis un professionnel dans le domaine de la santé du social ou de la culture je cherche une autre information faq prestations présentation des services support et conseil

[la saga des rothschild l argent le pouvoir et le luxe](#) - Aug 03 2022

web may 11 2017 télécharger le livre la saga des rothschild l argent le pouvoir et le luxe de tristan gaston breton Éditeur tallandier en version numérique lisez votre ebook

[la saga des rothschild l argent le pouvoir et le luxe decitre](#) - Sep 23 2021

saga des rothschild la l argent le pouvoir et - Dec 07 2022

web tristan gaston breton est spécialiste de l histoire des entreprises et collaborateur régulier du journal les echos fiche technique titre la saga des rothschild l argent le

[la saga des rothschild l argent le pouvoir et le luxe texto](#) - May 12 2023

web may 11 2017 l argent le pouvoir et le luxe la saga des rothschild tristan gaston breton tallandier des milliers de livres avec la livraison chez vous en 1 jour ou en

la saga des rothschild l argent le pouvoir et le luxe - Jul 14 2023

web l argent le pouvoir et le luxe tristan gaston breton acheter le livre découvrir un extrait résumé les rothschild sont le symbole de la puissance et de la gloire

la saga des rothschild l argent le pouvoir et le luxe e book - Sep 04 2022

web mar 7 2019 la saga des rothschild l argent le pouvoir et le luxe de plongez vous dans le livre tristan gaston breton au format poche ajoutez le à votre liste de souhaits

la saga des rothschild l argent le pouvoir et le luxe - Oct 05 2022

web biographie de la famille rothschild symbole de la puissance et de la gloire l auteur propose sa généalogie depuis mayer amschel le banquier des princes et des

pdf epub la saga des rothschild l argent whacizituquk s own - Nov 25 2021

web may 11 2017 la saga des rothschild l argent le pouvoir et le luxe de tristan gaston breton Éditeur tallandier livraison gratuite à 0 01 dès 35 d achat librairie decitre

la saga des rothschild l argent le pouvoir et le luxe texto - Feb 26 2022

web la saga des rothschild l argent le pouvoir et le luxe pan tristan gaston breton caractéristiques la saga des rothschild l argent le pouvoir et le luxe tristan

la saga des rothschild l argent le pouvoir et le luxe - Mar 10 2023

web saga des rothschild la l argent le pouvoir et le luxe gaston breton tristan amazon ca livres

[la saga des rothschild l argent le pouvoir et le luxe](#) - Jan 28 2022

web jan 6 2022 télécharger des livres sur ipad 2 la saga des rothschild l argent le pouvoir et le luxe overview les rothschild symbole de puissance et de prestige

[la saga des rothschild l argent le pouvoir et le luxe furet du](#) - Jul 02 2022

web saga des rothschild la l argent le pouvoir et le luxe gaston breton tristan 9791021038042 books amazon ca

la saga des rothschild l argent le pouvoir et le luxe - Aug 15 2023

web noté 5 retrouvez la saga des rothschild l argent le pouvoir et le luxe et des millions de livres en stock sur amazon fr achetez neuf ou d occasion

saga des rothschild la l argent le pouvoir et - Apr 30 2022

web la saga des rothschild l argent le pouvoir et le luxe texto gaston breton tristan on amazon com au free shipping on eligible orders l argent le pouvoir

la saga des rothschild Éditions tallandier - Jun 13 2023

web mar 7 2019 la saga des rothschild l argent le pouvoir et le luxe texto french edition pocket book march 7 2019 tristan gaston breton author 4 5 out of 5 stars

la saga des rothschild l argent le pouvoir et le luxe - Feb 09 2023

web saga des rothschild la l argent le pouvoir et le luxe gaston breton tristan amazon ca livres

la banque d affaires rothschild co va comme prévu quitter la - Oct 25 2021

web may 11 2017 chassés d autriche par hitler ils sont spoliés de leurs biens en 1940 nationalisés en france en 1981 avant de se déchirer autour de l utilisation de leur nom

pdf epub la saga des rothschild l argent jemirydabexe s - Dec 27 2021

web 2 days ago concordia le holding de la famille david de rothschild détient plus de 95 du capital de la banque d affaires et va pouvoir lancer une offre publique de retrait la

vlc 1600 bactalk field controller room zone controllers - Apr 10 2023

web jan 27 2015 envision for bactalk bacnet international en english deutsch français español portugués italiano român nederlands latina dansk svenska norsk magyar

envision for bactalk bacnet international yumpu - Mar 09 2023

web overview these envision for bactalk e learning modules introduce alerton s implementation of the bacnet control system protocol the bactalk system architecture

honeywell building technologies alerton solutions - Oct 04 2022

web about bactalk bactalk is alerton s bacnet compliant system operator workstations global controllers expandable controllers and vlcs together make up a bactalk

free alerton envision for bactalk manual - Apr 29 2022

envision for bactalk bacnet international - Aug 14 2023

web aug 23 2016 i have an alerton envision software key but need somewhere to download the software alerton envision for

bactalk software can you please send me

[alerton envision for bactalk software](#) - Jul 13 2023

web table 1 lists other alerton documentation that provides additional information including additional information about the products described in this guide each of these

[*alerton programmers guide and reference for bactalk systems*](#) - Aug 02 2022

web this new sensor is perfect for split zone vavs multi zone rooftop units or any vlx vlca 1688 or vlc 16160 application where more than one room sensor with display is

[alerton building suite temco](#) - Dec 06 2022

web solutions smarter solutions smarter buildings alerton offers a comprehensive bacnet building management solution suite that can scale and flex creating a tailored solution

envision for bactalk operator s manual manualzz - Sep 15 2023

web alerton s envision for bactalk is a true microsoft windows based operating system for facility management and control it communicates with bacnet global and unitary

alerton bactalk microset ii installation manual esource svb - May 31 2022

web alerton envision for bactalk manual the veiled suite may 24 2022 beginning with the impassioned never before published title poem here is the life s work of a beloved

[*course name bt e100v2 5 envision for bactalk basics*](#) - Feb 08 2023

web alerton building suite is a comprehensive combination of proven envision for bactalk and webtalk software as well as the engineering tool bactalk builder envision for

alerton releases version 1 1 of envision for bactalk - Nov 05 2022

web part of alerton s bactalk ascent product line compass is a comprehensive powerfully designed product that replaces alerton building suite and envision for bactalk as the

download solutions alerton envision for bactalk manual - Mar 29 2022

[*alerton bactalk microset ii installation*](#) - Jan 07 2023

web redmond wa building automation pioneer alerton alerton com announced that version 1 1 of its envision for bactalk software is now available envision for bactalk

installation and operations guide hvac talk - Oct 16 2023

web view device information about the bactalk control modules or to download a roc file envision for bactalk operator s manual ltbt op ebt20 and online help

honeywell building technologies alerton software - Jul 01 2022

web alerton envision for bactalk manual moody s bank and finance manual apr 06 2022 all in digital mar 13 2020 we are passing through the phase of innovation blasts where

[solutions services alerton system](#) - Sep 03 2022

web alerton solutions software integrated management increased control receive actionable insights protect your data and improve responsiveness with alerton s software

visuallogic controllers installation and operations guide - Jun 12 2023

web alerton envision for bactalk is powerful operator workstation software for bacnet systems use it to manage and control building equipment with unprecedented flexibility

envision for bactalk tsm tech - May 11 2023

web building technologies learn all about the alerton vlc 1600 bactalk field controller click to find product details documentation ordering info and more