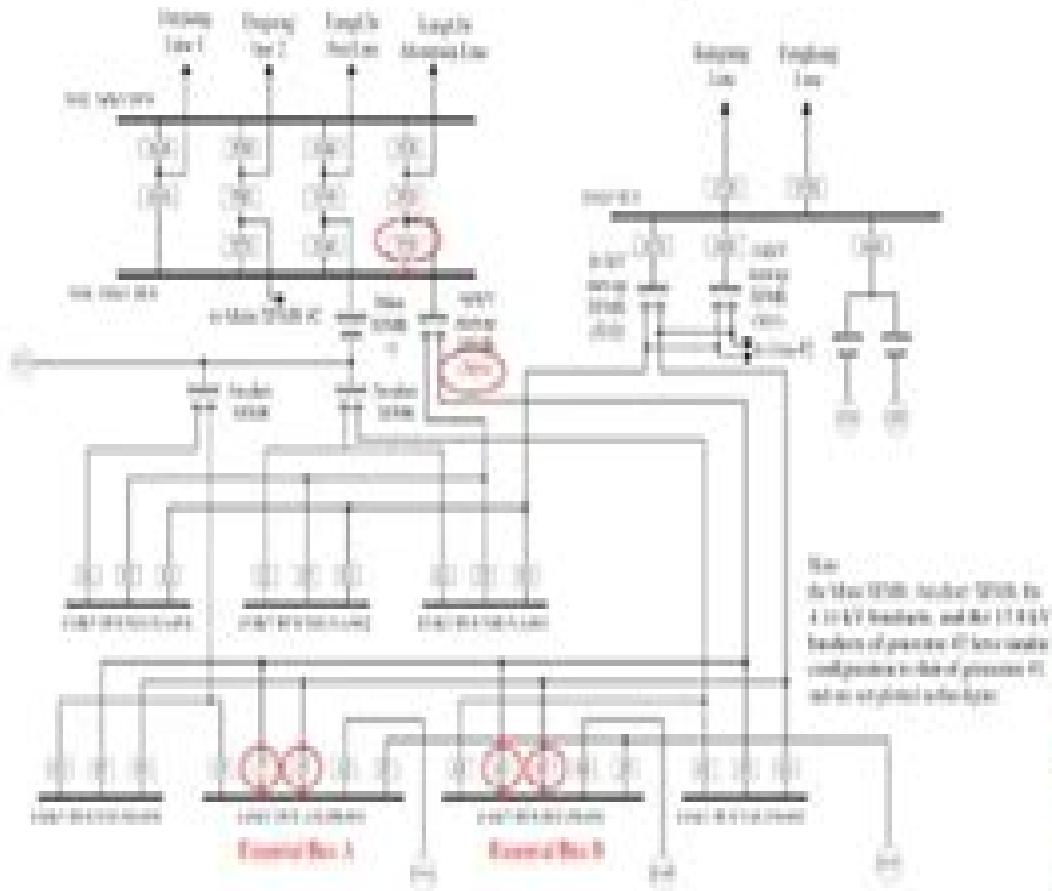


Power System Protection Systems



Basic connection diagram of protection relay



Electrical 4 U

Power Systems Protection Engineering Training Idc

DP Hallahan



Power Systems Protection Engineering Training Idc:

Power Systems Protection, Power Quality , Practical Power System Protection Leslie Hewitson, Mark Brown, Ramesh Balakrishnan, 2005-02-28 Designed to increase understanding on a practical and theoretical basis this invaluable resource provides engineers plant operators electricians and technicians with a thorough grounding in the principles and practicalities behind power system protection Coverage of the fundamental knowledge needed to specify use and maintain power protection systems is included helping readers to increase plant efficiency performance and safety Consideration is also given to the practical techniques and engineering challenges encountered on a day to day basis making this an essential resource for all

Telecommunication Economics Antonis M. Hadjiantonis, Burkhard Stiller, 2012-04-27 This book constitutes a collaborative and selected documentation of the scientific outcome of the European COST Action IS0605 Econ Tel A Telecommunications Economics COST Network which run from October 2007 to October 2011 Involving experts from around 20 European countries the goal of Econ Tel was to develop a strategic research and training network among key people and organizations in order to enhance Europe's competence in the field of telecommunications economics Reflecting the organization of the COST Action IS0605 Econ Tel in working groups the following four major research areas are addressed evolution and regulation of communication ecosystems social and policy implications of communication technologies economics and governance of future networks future networks management architectures and mechanisms

Personal Computers and Digital Signal Processing , **Formulas and Conversions** , **Communications, Industrial Networking and TCP/IP** , 2012 **Practical Power Systems Protection for Engineers and Technicians** , 200? IEEE Industrial & Commercial Power Systems Technical Conference , 1984 **Electric Light and Power** , 1948

The Journal of the Chartered Institution of Building Services Chartered Institution of Building Services, 1983 *Building Services* , 1985-05 *ASHRAE Journal* , 1992 *IEEE Conference Record of ... Industrial and Commercial Power Systems Technical Conference* , 1984 **UNDOC, Current Index** , 1996 **IEEE Membership Directory** Institute of Electrical and Electronics Engineers, 2001 **Subject Guide to Microforms in Print** Albert James Diaz, 1977 **Scientific and Technical Organizations and Agencies Directory** Peter D. Dresser, 1994 *Thomas Register* , 2004 **Western Electrician** , 1894 *The Engineer* , 1916

This is likewise one of the factors by obtaining the soft documents of this **Power Systems Protection Engineering Training Idc** by online. You might not require more time to spend to go to the books inauguration as without difficulty as search for them. In some cases, you likewise realize not discover the publication Power Systems Protection Engineering Training Idc that you are looking for. It will no question squander the time.

However below, bearing in mind you visit this web page, it will be suitably extremely easy to acquire as skillfully as download lead Power Systems Protection Engineering Training Idc

It will not believe many era as we notify before. You can accomplish it even though take steps something else at home and even in your workplace. for that reason easy! So, are you question? Just exercise just what we give below as skillfully as evaluation **Power Systems Protection Engineering Training Idc** what you afterward to read!

https://py.bijouxmedusa.com/data/scholarship/Documents/Fitness_Routines_Ideas_For_Small_Business_29_1224_Fitness_Routines.pdf

Table of Contents Power Systems Protection Engineering Training Idc

1. Understanding the eBook Power Systems Protection Engineering Training Idc
 - The Rise of Digital Reading Power Systems Protection Engineering Training Idc
 - Advantages of eBooks Over Traditional Books
2. Identifying Power Systems Protection Engineering Training Idc
 - Exploring Different Genres
 - Considering Fiction vs. Non-Fiction
 - Determining Your Reading Goals
3. Choosing the Right eBook Platform
 - Popular eBook Platforms
 - Features to Look for in an Power Systems Protection Engineering Training Idc
 - User-Friendly Interface

4. Exploring eBook Recommendations from Power Systems Protection Engineering Training Idc
 - Personalized Recommendations
 - Power Systems Protection Engineering Training Idc User Reviews and Ratings
 - Power Systems Protection Engineering Training Idc and Bestseller Lists
5. Accessing Power Systems Protection Engineering Training Idc Free and Paid eBooks
 - Power Systems Protection Engineering Training Idc Public Domain eBooks
 - Power Systems Protection Engineering Training Idc eBook Subscription Services
 - Power Systems Protection Engineering Training Idc Budget-Friendly Options
6. Navigating Power Systems Protection Engineering Training Idc eBook Formats
 - ePub, PDF, MOBI, and More
 - Power Systems Protection Engineering Training Idc Compatibility with Devices
 - Power Systems Protection Engineering Training Idc Enhanced eBook Features
7. Enhancing Your Reading Experience
 - Adjustable Fonts and Text Sizes of Power Systems Protection Engineering Training Idc
 - Highlighting and Note-Taking Power Systems Protection Engineering Training Idc
 - Interactive Elements Power Systems Protection Engineering Training Idc
8. Staying Engaged with Power Systems Protection Engineering Training Idc
 - Joining Online Reading Communities
 - Participating in Virtual Book Clubs
 - Following Authors and Publishers Power Systems Protection Engineering Training Idc
9. Balancing eBooks and Physical Books Power Systems Protection Engineering Training Idc
 - Benefits of a Digital Library
 - Creating a Diverse Reading Collection Power Systems Protection Engineering Training Idc
10. Overcoming Reading Challenges
 - Dealing with Digital Eye Strain
 - Minimizing Distractions
 - Managing Screen Time
11. Cultivating a Reading Routine Power Systems Protection Engineering Training Idc
 - Setting Reading Goals Power Systems Protection Engineering Training Idc
 - Carving Out Dedicated Reading Time

12. Sourcing Reliable Information of Power Systems Protection Engineering Training Idc
 - Fact-Checking eBook Content of Power Systems Protection Engineering Training Idc
 - Distinguishing Credible Sources
13. Promoting Lifelong Learning
 - Utilizing eBooks for Skill Development
 - Exploring Educational eBooks
14. Embracing eBook Trends
 - Integration of Multimedia Elements
 - Interactive and Gamified eBooks

Power Systems Protection Engineering Training Idc Introduction

In the digital age, access to information has become easier than ever before. The ability to download Power Systems Protection Engineering Training Idc has revolutionized the way we consume written content. Whether you are a student looking for course material, an avid reader searching for your next favorite book, or a professional seeking research papers, the option to download Power Systems Protection Engineering Training Idc has opened up a world of possibilities. Downloading Power Systems Protection Engineering Training Idc provides numerous advantages over physical copies of books and documents. Firstly, it is incredibly convenient. Gone are the days of carrying around heavy textbooks or bulky folders filled with papers. With the click of a button, you can gain immediate access to valuable resources on any device. This convenience allows for efficient studying, researching, and reading on the go. Moreover, the cost-effective nature of downloading Power Systems Protection Engineering Training Idc has democratized knowledge. Traditional books and academic journals can be expensive, making it difficult for individuals with limited financial resources to access information. By offering free PDF downloads, publishers and authors are enabling a wider audience to benefit from their work. This inclusivity promotes equal opportunities for learning and personal growth. There are numerous websites and platforms where individuals can download Power Systems Protection Engineering Training Idc. These websites range from academic databases offering research papers and journals to online libraries with an expansive collection of books from various genres. Many authors and publishers also upload their work to specific websites, granting readers access to their content without any charge. These platforms not only provide access to existing literature but also serve as an excellent platform for undiscovered authors to share their work with the world. However, it is essential to be cautious while downloading Power Systems Protection Engineering Training Idc. Some websites may offer pirated or illegally obtained copies of copyrighted material. Engaging in such activities not only violates copyright laws but also undermines the efforts of authors, publishers,

and researchers. To ensure ethical downloading, it is advisable to utilize reputable websites that prioritize the legal distribution of content. When downloading Power Systems Protection Engineering Training Idc, users should also consider the potential security risks associated with online platforms. Malicious actors may exploit vulnerabilities in unprotected websites to distribute malware or steal personal information. To protect themselves, individuals should ensure their devices have reliable antivirus software installed and validate the legitimacy of the websites they are downloading from. In conclusion, the ability to download Power Systems Protection Engineering Training Idc has transformed the way we access information. With the convenience, cost-effectiveness, and accessibility it offers, free PDF downloads have become a popular choice for students, researchers, and book lovers worldwide. However, it is crucial to engage in ethical downloading practices and prioritize personal security when utilizing online platforms. By doing so, individuals can make the most of the vast array of free PDF resources available and embark on a journey of continuous learning and intellectual growth.

FAQs About Power Systems Protection Engineering Training Idc Books

How do I know which eBook platform is the best for me? Finding the best eBook platform depends on your reading preferences and device compatibility. Research different platforms, read user reviews, and explore their features before making a choice. Are free eBooks of good quality? Yes, many reputable platforms offer high-quality free eBooks, including classics and public domain works. However, make sure to verify the source to ensure the eBook credibility. Can I read eBooks without an eReader? Absolutely! Most eBook platforms offer webbased readers or mobile apps that allow you to read eBooks on your computer, tablet, or smartphone. How do I avoid digital eye strain while reading eBooks? To prevent digital eye strain, take regular breaks, adjust the font size and background color, and ensure proper lighting while reading eBooks. What the advantage of interactive eBooks? Interactive eBooks incorporate multimedia elements, quizzes, and activities, enhancing the reader engagement and providing a more immersive learning experience. Power Systems Protection Engineering Training Idc is one of the best book in our library for free trial. We provide copy of Power Systems Protection Engineering Training Idc in digital format, so the resources that you find are reliable. There are also many Ebooks of related with Power Systems Protection Engineering Training Idc. Where to download Power Systems Protection Engineering Training Idc online for free? Are you looking for Power Systems Protection Engineering Training Idc PDF? This is definitely going to save you time and cash in something you should think about. If you trying to find then search around for online. Without a doubt there are numerous these available and many of them have the freedom. However without doubt you receive whatever you purchase. An alternate way to get ideas is always to check another Power Systems Protection Engineering Training Idc. This method for see exactly what may be included and adopt these ideas to your book. This site will almost

certainly help you save time and effort, money and stress. If you are looking for free books then you really should consider finding to assist you try this. Several of Power Systems Protection Engineering Training Idc are for sale to free while some are payable. If you arent sure if the books you would like to download works with for usage along with your computer, it is possible to download free trials. The free guides make it easy for someone to free access online library for download books to your device. You can get free download on free trial for lots of books categories. Our library is the biggest of these that have literally hundreds of thousands of different products categories represented. You will also see that there are specific sites catered to different product types or categories, brands or niches related with Power Systems Protection Engineering Training Idc. So depending on what exactly you are searching, you will be able to choose e books to suit your own need. Need to access completely for Campbell Biology Seventh Edition book? Access Ebook without any digging. And by having access to our ebook online or by storing it on your computer, you have convenient answers with Power Systems Protection Engineering Training Idc To get started finding Power Systems Protection Engineering Training Idc, you are right to find our website which has a comprehensive collection of books online. Our library is the biggest of these that have literally hundreds of thousands of different products represented. You will also see that there are specific sites catered to different categories or niches related with Power Systems Protection Engineering Training Idc So depending on what exactly you are searching, you will be able to choose ebook to suit your own need. Thank you for reading Power Systems Protection Engineering Training Idc. Maybe you have knowledge that, people have search numerous times for their favorite readings like this Power Systems Protection Engineering Training Idc, but end up in harmful downloads. Rather than reading a good book with a cup of coffee in the afternoon, instead they juggled with some harmful bugs inside their laptop. Power Systems Protection Engineering Training Idc is available in our book collection an online access to it is set as public so you can download it instantly. Our digital library spans in multiple locations, allowing you to get the most less latency time to download any of our books like this one. Merely said, Power Systems Protection Engineering Training Idc is universally compatible with any devices to read.

Find Power Systems Protection Engineering Training Idc :

fitness routines ideas for small business 29-1224 fitness routines

investing blueprint USA 29-2592 crypto investing blueprint United States

creators 29-840 mobile app ideas apps for creators 29-171 mobile app

blog monetization strategies for small business 29-1428 blog

~~USA 29-2388 wearable technology review USA 29-541 wearable technology~~

practices United States 29-2862 credit score improvement best practices

~~electric vehicles roadmap for creators 29-2625 electric vehicles~~

America 29-645 home organization examples for creators 29-1207 home

online privacy strategies USA 29-2980 online privacy strategies for comparison United States 29-529 AI tools explained America 29-2611 AI creators 29-1523 parenting tips comparison for entrepreneurs 29-2940

blueprint America 29-2436 career growth case study America 29-1642

business 29-1284 passive income ideas best practices for startups

passive income ideas ideas United States 29-2202 passive income ideas

startups 29-721 blog monetization review America 29-1253 blog

Power Systems Protection Engineering Training Idc :

Answer Key for The newborn nightmare CS.docx Part 3 1.I agree with Dr. Maddison's hunch that the babies could have either streptococcus or staphylococcus considering that their symptoms (rash, peeling skin ... The Case Of The Newborn Nightmare Case Study.docx The case of the newborn nightmare case study Part 1 1.Dr. Maddison is facing a number of challenges. First, he has three very sick babies in his clinic. SOLUTION: The Case of the Newborn Nightmare The specimens were taken from some unusual skin lesions on three of our infants. I know that we need at least a routine culture and sensitivity with Gram stain. The Case of the Newborn Nightmare: Part V Nov 3, 2015 — Question: The Case of the Newborn Nightmare: Part V The nasal swabs taken from the hospital staff can be analyzed to determine the strain of S. Case Study- The Case of the Newborn Nightmare 1.what challenges Dr Maddison is facing? 2. What information does he have so far about the infection? 3. What are some possible causes of skin infections? List ... Chapter 21 Flashcards (review the NEWBORN NIGHTMARE case study). Exfoliative toxin from Staph. aureus. Fever, red raised blistering skin, peeling skin. Culture baby's nose and ... CASE TEACHING NOTES for "The Case of the Newborn ... by A Wade — CASE TEACHING NOTES for "The Case of the Newborn Nightmare" by Andrea Wade. Page 3. ANSWER KEY. Answers to the questions posed in the case ... Solved Newborn nightmare by Andrea Wade, what are the Oct 5, 2019 — Newborn nightmare is a case study done by Dr Andrea wade. Case study focuses on development of mysterious rashes among newborns. The Case of the Newborn Nightmare Oct 10, 2001 — Three newborns left in the care of "Dr. Mark Maddison" have developed a mysterious rash. Under increasing pressure from hospital ... Lab Practical Flashcards In regard to the "Case of the Newborn Nightmare," what was the name of the bacteria that caused the whole neighborhood to be sick? What is the common source ... King James VI and I and the Reunion of Christendom ... This is a historical study of the career of King James VI and I, as king of Scotland (1567-1625) and England (1603-1625), who achieved a union of the crowns ... King james vi and i and reunion christendom King James VI and I and the Reunion of Christendom · \$39.99 (C) · \$ 39.99 (C) Paperback · Awards · Reviews & endorsements · Customer

reviews · Product details. King James VI and I and the Reunion of Christendom ... This book shows King James VI and I, king of Scotland and England, in an unaccustomed light. Long regarded as inept, pedantic, and whimsical, James is shown ... King James VI and I and the Reunion of Christendom ... This is a historical study of the career of King James VI and I, as king of Scotland (1567-1625) and England (1603-1625), who achieved a union of the crowns ... King James VI and I and the Reunion of Christendom This is a historical study of the career of King James VI and I, as king of Scotland (1567-1625) and England (1603-1625), who achieved a union of the crowns as ... King James VI and I and the Reunion of Christendom The unfinished character of the Scottish Reformation, the desire to conciliate Catholic interests, and James's strong intent to establish royal control over the ... King James VI and I and the reunion of Christendom This book shows King James VI and I, king of Scotland and England, in an unaccustomed light. Long regarded as inept, pedantic, and whimsical, James is shown ... King James Reunion Christendom by Patterson King James VI and I and the Reunion of Christendom (Cambridge Studies in Early Modern British History) by Patterson, W. B. and a great selection of related ... King James VI and I and the Reunion of Christendom. His Scottish experience taught him that a measure of conciliation between faiths was not incompatible with firm Calvinist beliefs: hence his willingness to deal ... Skylark (Sequel to "Sarah, Plain and Tall") Harper Trophy The second book in the series that began with the Newbery Medal-winning Sarah, Plain and Tall by Patricia MacLachlan. My mother, Sarah, doesn't love the ... Skylark (Sarah, Plain and Tall #2) by Patricia MacLachlan A great novel that introduces so many ideas about life and disappointment and love and fear and hope in a gentle way. Some of the depth may have gone over my ... Skylark (novel) It was adapted into a film of the same name. Skylark. First hardcover edition. Author, Patricia MacLachlan. Country, United States. Skylark The second book in the series that began with the Newbery Medal-winning Sarah, Plain and Tall by Patricia MacLachlan. My mother, Sarah, doesn't love the ... Skylark by Patricia MacLachlan The second book in the series that began with the Newbery Medal-winning Sarah, Plain and Tall by Patricia MacLachlan. My mother, Sarah, doesn't love the ... Skylark (Sarah, Plain and Tall #2) (Library Binding) Patricia MacLachlan (1938-2022) was the celebrated author of many timeless books for young readers, including Sarah, Plain and Tall, winner of the Newbery Medal ... Skylark (Sarah, Plain and Tall Series #2) Patricia MacLachlan (1938-2022) was the celebrated author of many timeless books for young readers, including Sarah, Plain and Tall, winner of the Newbery Medal ... Skylark Patricia MacLachlan. HarperCollins, \$15.99 (96pp) ISBN 978-0-06-023328-0 ... The magnificent sequel to MacLachlan's Newbery-winning Sarah, Plain and Tall opens on ... Skylark (Sarah, Plain and Tall #2) Patricia MacLachlan (1938-2022) was the celebrated author of many timeless books for young readers, including Sarah, Plain and Tall, winner of the Newbery Medal ... Skylark - Read-Aloud Revival ® with Sarah Mackenzie Skylark. AUTHOR: Patricia MacLachlan. Buy from Libro.fm · Buy from Bookshop · Buy from Audible.com.