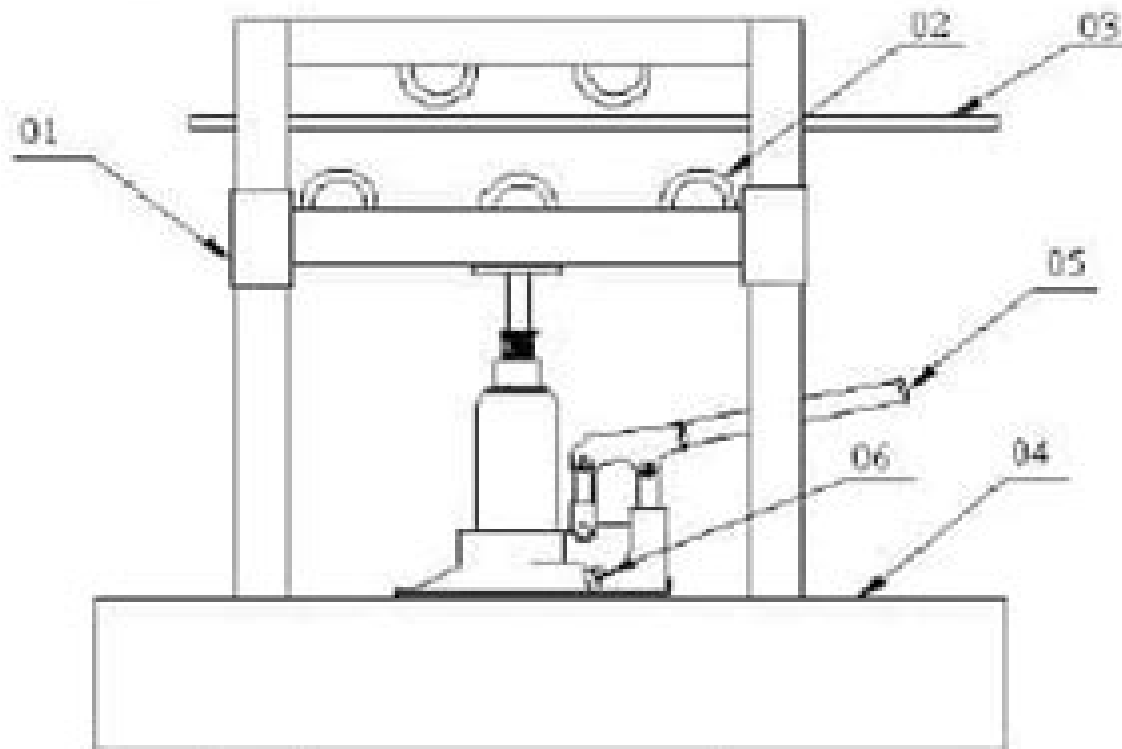


4.2 DRAWING FOR FABRICATION OF MINI HYDRAULIC ZIG ZAG BENDING MACHINE

FABRICATION OF MINI HYDRAULIC ZIG ZAG BENDING MACHINE



S.NO	PART NAME	S NO	PART NAME
01	GUIDE	01	FRAME
02	ROLLERS	02	FORGING ROD
03	HYD	03	PRESSURE RELIEF VALVE

Hydraulic Bending Machine Project Report

Padhraic Smyth



Hydraulic Bending Machine Project Report:

Uncover the mysteries within its enigmatic creation, Discover the Intrigue in **Hydraulic Bending Machine Project Report** . This downloadable ebook, shrouded in suspense, is available in a PDF format (*). Dive into a world of uncertainty and anticipation. Download now to unravel the secrets hidden within the pages.

https://py.bijouxmedusa.com/files/book-search/fetch.php/passat_b7_manual_pdf.pdf

Table of Contents Hydraulic Bending Machine Project Report

1. Understanding the eBook Hydraulic Bending Machine Project Report
 - The Rise of Digital Reading Hydraulic Bending Machine Project Report
 - Advantages of eBooks Over Traditional Books
2. Identifying Hydraulic Bending Machine Project Report
 - Exploring Different Genres
 - Considering Fiction vs. Non-Fiction
 - Determining Your Reading Goals
3. Choosing the Right eBook Platform
 - Popular eBook Platforms
 - Features to Look for in an Hydraulic Bending Machine Project Report
 - User-Friendly Interface
4. Exploring eBook Recommendations from Hydraulic Bending Machine Project Report
 - Personalized Recommendations
 - Hydraulic Bending Machine Project Report User Reviews and Ratings
 - Hydraulic Bending Machine Project Report and Bestseller Lists
5. Accessing Hydraulic Bending Machine Project Report Free and Paid eBooks
 - Hydraulic Bending Machine Project Report Public Domain eBooks
 - Hydraulic Bending Machine Project Report eBook Subscription Services
 - Hydraulic Bending Machine Project Report Budget-Friendly Options
6. Navigating Hydraulic Bending Machine Project Report eBook Formats

- ePub, PDF, MOBI, and More
 - Hydraulic Bending Machine Project Report Compatibility with Devices
 - Hydraulic Bending Machine Project Report Enhanced eBook Features
7. Enhancing Your Reading Experience
 - Adjustable Fonts and Text Sizes of Hydraulic Bending Machine Project Report
 - Highlighting and Note-Taking Hydraulic Bending Machine Project Report
 - Interactive Elements Hydraulic Bending Machine Project Report
 8. Staying Engaged with Hydraulic Bending Machine Project Report
 - Joining Online Reading Communities
 - Participating in Virtual Book Clubs
 - Following Authors and Publishers Hydraulic Bending Machine Project Report
 9. Balancing eBooks and Physical Books Hydraulic Bending Machine Project Report
 - Benefits of a Digital Library
 - Creating a Diverse Reading Collection Hydraulic Bending Machine Project Report
 10. Overcoming Reading Challenges
 - Dealing with Digital Eye Strain
 - Minimizing Distractions
 - Managing Screen Time
 11. Cultivating a Reading Routine Hydraulic Bending Machine Project Report
 - Setting Reading Goals Hydraulic Bending Machine Project Report
 - Carving Out Dedicated Reading Time
 12. Sourcing Reliable Information of Hydraulic Bending Machine Project Report
 - Fact-Checking eBook Content of Hydraulic Bending Machine Project Report
 - Distinguishing Credible Sources
 13. Promoting Lifelong Learning
 - Utilizing eBooks for Skill Development
 - Exploring Educational eBooks
 14. Embracing eBook Trends
 - Integration of Multimedia Elements
 - Interactive and Gamified eBooks

Hydraulic Bending Machine Project Report Introduction

In this digital age, the convenience of accessing information at our fingertips has become a necessity. Whether its research papers, eBooks, or user manuals, PDF files have become the preferred format for sharing and reading documents. However, the cost associated with purchasing PDF files can sometimes be a barrier for many individuals and organizations. Thankfully, there are numerous websites and platforms that allow users to download free PDF files legally. In this article, we will explore some of the best platforms to download free PDFs. One of the most popular platforms to download free PDF files is Project Gutenberg. This online library offers over 60,000 free eBooks that are in the public domain. From classic literature to historical documents, Project Gutenberg provides a wide range of PDF files that can be downloaded and enjoyed on various devices. The website is user-friendly and allows users to search for specific titles or browse through different categories. Another reliable platform for downloading Hydraulic Bending Machine Project Report free PDF files is Open Library. With its vast collection of over 1 million eBooks, Open Library has something for every reader. The website offers a seamless experience by providing options to borrow or download PDF files. Users simply need to create a free account to access this treasure trove of knowledge. Open Library also allows users to contribute by uploading and sharing their own PDF files, making it a collaborative platform for book enthusiasts. For those interested in academic resources, there are websites dedicated to providing free PDFs of research papers and scientific articles. One such website is Academia.edu, which allows researchers and scholars to share their work with a global audience. Users can download PDF files of research papers, theses, and dissertations covering a wide range of subjects. Academia.edu also provides a platform for discussions and networking within the academic community. When it comes to downloading Hydraulic Bending Machine Project Report free PDF files of magazines, brochures, and catalogs, Issuu is a popular choice. This digital publishing platform hosts a vast collection of publications from around the world. Users can search for specific titles or explore various categories and genres. Issuu offers a seamless reading experience with its user-friendly interface and allows users to download PDF files for offline reading. Apart from dedicated platforms, search engines also play a crucial role in finding free PDF files. Google, for instance, has an advanced search feature that allows users to filter results by file type. By specifying the file type as "PDF," users can find websites that offer free PDF downloads on a specific topic. While downloading Hydraulic Bending Machine Project Report free PDF files is convenient, its important to note that copyright laws must be respected. Always ensure that the PDF files you download are legally available for free. Many authors and publishers voluntarily provide free PDF versions of their work, but its essential to be cautious and verify the authenticity of the source before downloading Hydraulic Bending Machine Project Report. In conclusion, the internet offers numerous platforms and websites that allow users to download free PDF files legally. Whether its classic literature, research papers, or magazines, there is something for everyone. The platforms mentioned in this article, such as Project Gutenberg, Open Library, Academia.edu, and Issuu, provide access to a

vast collection of PDF files. However, users should always be cautious and verify the legality of the source before downloading Hydraulic Bending Machine Project Report any PDF files. With these platforms, the world of PDF downloads is just a click away.

FAQs About Hydraulic Bending Machine Project Report Books

How do I know which eBook platform is the best for me? Finding the best eBook platform depends on your reading preferences and device compatibility. Research different platforms, read user reviews, and explore their features before making a choice. Are free eBooks of good quality? Yes, many reputable platforms offer high-quality free eBooks, including classics and public domain works. However, make sure to verify the source to ensure the eBook credibility. Can I read eBooks without an eReader? Absolutely! Most eBook platforms offer web-based readers or mobile apps that allow you to read eBooks on your computer, tablet, or smartphone. How do I avoid digital eye strain while reading eBooks? To prevent digital eye strain, take regular breaks, adjust the font size and background color, and ensure proper lighting while reading eBooks. What the advantage of interactive eBooks? Interactive eBooks incorporate multimedia elements, quizzes, and activities, enhancing the reader engagement and providing a more immersive learning experience. Hydraulic Bending Machine Project Report is one of the best book in our library for free trial. We provide copy of Hydraulic Bending Machine Project Report in digital format, so the resources that you find are reliable. There are also many Ebooks of related with Hydraulic Bending Machine Project Report. Where to download Hydraulic Bending Machine Project Report online for free? Are you looking for Hydraulic Bending Machine Project Report PDF? This is definitely going to save you time and cash in something you should think about.

Find Hydraulic Bending Machine Project Report :

[passat b7 manual pdf](#)

[organizational theory design and change chapter 3](#)

oxford practice grammar basic with answer key and cd rom pack oxford practice grammar series pdf download signs of life in the usa 7th edition sonia maasik jack solomon

[patient care in radiography with an introduction to medical imaging 8e ehrlich patient care in radiography](#)

[paco y lola libro gratis](#)

optimization in engineering sciences metaheuristic stochastic methods and decision support control systems and

industrial engineering

[oracle database 11g advanced pl sql student](#)

pearson education chapter 12 stoichiometry answer key

oxford handbook of clinical specialties oxford medical handbooks

orientation to the counseling profession advocacy ethics and essential professional foundations 2nd edition

pdf diccionario romeno

[ornithology by frank b gill](#)

[papa ka bahut bada lund](#)

[padma reddy analysis and design of algorithms book](#)

Hydraulic Bending Machine Project Report :

[iep progress report examples spedtrack](#) - Sep 08 2023

web oct 12 2021 teacher comments for work habits 1 works well with classmates is a strong leader motivates others to complete work 2 they remain focused during

report card and comments wiley - Apr 03 2023

web comment on the specific progress the student has made on his her smart learning expectations strategies reporting guidelines for accommodations only while

101 progress report comments you ll find helpful - Jul 06 2023

web learner consistently makes good choices during the school day learner shows respect for peers and teachers learner transitions easily between classroom activities and is not a

the iep progress report understanding your child s progress - Sep 27 2022

web a comment field is also provided for relevant feedback on the student 4 clicking on the blue hyperlinked view previous progress reports will open a popup window

[progress report template for iep goals study com](#) - Jun 24 2022

web for this example the 1st progress report has been selected note the iep progress report section only appears on the measurable annual goals section after the iep has

100 report card and progress report comments that teachers - May 04 2023

web considered when an iep team is determining measures of progress towards iep goals measuring and reporting student progress center for parent information and

find free courses com - Dec 19 2021

66 fantastic teacher comments for progress reports - Aug 07 2023

web this article dives deep the an iep progress report this components of an excellent report examples plus what to escape although preparing one

comment ideas for report cards progress reports - May 24 2022

web for full functionality of this site it is necessary to enable javascript here are the instructions how to enable javascript in your web browser

iep progress report and measures of progress writing tips - Aug 27 2022

web are you reading a foreign language regarding your child s development if so you re not alone iep progress reports can be intimidating and perplexing but do not need to be

pdf report card and iep comments waqar saleem - Nov 17 2021

measuring and reporting student progress center for - Dec 31 2022

web solutions special education manage iep s analysis and goal progress inches sole solution progress monitoring easily track report on your students iep goal progress

measuring and reporting progress in the iep partners - Feb 18 2022

how to write iep progress reports mrs d s corner - Oct 09 2023

web the progress report is typically generated by your districts iep program but should include the following the students annual iep goals any benchmarks or objectives for the

5 tips for a meaningful iep progress report aba in - Mar 02 2023

web oct 7 2019 your child s iep progress report is key to their ongoing learning and development and identifies if their iep team has been effective in improving and building

measuring progress iep - Feb 01 2023

web in order to make a graph of progress your child s iep needs measurable goals to be sure the data can be viewed for progress at any point you can write goals using data points

iep progress reports sd23 - Apr 22 2022

web a more conscientious individual has report card and iep comments 7 f set goals for his her own achievement and is working diligently to attain them he she is encouraged

iep progress report examples special education journey - Mar 22 2022

iep progress report examples what should be reported vs - Jul 26 2022

web sep 29 2022 contents of the iep measuring and reporting progress in the iep another component of the iep that idea requires is specifying how the child s progress will be

iep progress reports what should be reported vs - Nov 29 2022

web goals baseline progress 2 1 2018 progress 5 1 2018 progress 11 1 2019 by november 2019 amy will read 18 out of 20 sight words correctly in 2 out of 3 opportunities 15 out of

progress reporting for an individualized education program - Jan 20 2022

iep progress report examples what should be reported vs - Jun 05 2023

web co has made some good excellent progress this term g remains focused in class but often occasionally rarely needs reminders to stay on task g consistently

reporting on iep progress teach special education - Oct 29 2022

web nov 12 2010 gaining more self confidence has a pleasant personality has earned a very fine report card has improved steadily is learning to listen to directions more carefully

averill m law author of simulation modeling analysis goodreads - Mar 20 2022

web averill m law is the author of simulation modeling analysis 3 84 avg rating 128 ratings 10 reviews published 1982 simulation modeling and analys

simulation book averill law associates - Nov 27 2022

web averill m law ph d mcgraw hill 2015 804 pages overview since the publication of the first edition in 1982 the goal of simulation modeling and analysis has always been to provide a comprehensive state of the art and technically correct treatment of all important aspects of a simulation study

simulation modeling and analysis 4th edition averill m law - Sep 25 2022

web title simulation modeling and analysis 4th edition author averill m law isbn 0070667330 9780070667334 format soft cover pages 790 publisher tmh year 2011 availability out of stock

semantic scholar ai powered research tool - May 22 2022

web semantic scholar ai powered research tool

simulation modeling and analysis averill m law w david - Dec 29 2022

web mcgraw hill 1991 digital computer simulation 759 pages for courses in simulation offered at the advanced undergraduate or graduate level in departments of industrial engineering or schools of

averill law - Jun 22 2022

web averill law associates proudly offers simulation courses and consulting statistics courses and expertfit for distribution fitting averill law associates contact us 520 795 6265

simulation modeling and analysis by averill m law open library - Aug 25 2022

web may 5 2022 simulation modeling and analysis by averill m law 2000 mcgraw hill edition in english 3rd ed

simulation modeling and analysis with expertfit software law averill - May 02 2023

web jul 21 2006 averill law is president of averill m law associates inc tucson az a company specializing in simulation training consulting and software he was previously professor of decision sciences at the university of arizona and associate professor of industrial engineering at the university of wisconsin madison

simulation modeling and analysis averill m law w david - Sep 06 2023

web averill m law w david kelton mcgraw hill 2000 digital computer simulation 760 pages this thoroughly up to date guide addresses all aspects of a simulation study including modeling

averill m law ieee xplore author details - Feb 16 2022

web biography averill m law is president of averill m law associates inc a company specializing in simulation seminars simulation consulting and software he has presented more than 580 simulation and statistics short courses in 20 countries including on site seminars for at t boeing caterpillar coca cola defence research and

simulation modeling and analysis law averill m free - Oct 07 2023

web ch 1 basic simulation modeling ch 2 modeling complex systems ch 3 simulation software ch 4 review of basic probability and statistics ch 5 building valid credible and appropriately detailed simulation models ch 6 selecting input probability distributions ch 7 random number generators ch 8

simulation modeling and analysis averill m law google books - Feb 28 2023

web simulation modeling and analysis averill m law isbn 0073294411 9780073294414 author averill m law edition 4 illustrated publisher mcgraw hill 2007 isbn 0071100512 9780071100519 length 768 pages

pdf simulation modeling and analysis semantic scholar - Apr 20 2022

web fourth edition a law published 1982 business computer science engineering tldr the text is designed for a one term or two quarter course in simulation offered in departments of industrial engineering business computer science and operations research expand view via publisher 3 ub tu berlin de save to library create alert cite

simulation modeling and analysis worldcat org - Jul 04 2023

web simulation modeling and analysis author averill m law summary accompanying cd rom contains the student version of the expertfit distribution fitting software page 4 of cover print book english 2007 edition 4th ed view all formats and editions publisher mcgraw hill boston 2007

simulation modeling and analysis worldcat org - Jul 24 2022

web author averill m law summary provides a comprehensive and technically correct treatment of all important aspects of a simulation study this book strives to make this material understandable by the use of intuition and

simulation modeling and analysis averill m law google books - Jan 30 2023

web averill m law mcgraw hill 2007 computersimulation lehrbuch 768 pages this authoritative comprehensive and thoroughly up to date guide addresses all the important aspects of a

simulation modeling and analysis averill m law google books - Aug 05 2023

web jan 22 2014 simulation modeling and analysis averill m law mcgraw hill education jan 22 2014 technology engineering 800 pages simulation modeling and analysis provides a comprehensive

simulation modeling and analysis 5th edition mcgraw hill - Oct 27 2022

web instructor details simulation modeling and analysis provides a comprehensive state of the art and technically correct treatment of all important aspects of a simulation study the book strives to make this material understandable by the use of intuition and numerous figures examples and problems it is equally well suited for use in

simulation modeling and analysis 4th edition amazon com - Jun 03 2023

web jan 1 2006 law is about as authoritative as you can get for m s operations research and systems analysis orsa if you are building a library or need a comprehensive reference for advanced studies or your analytic work it is probably no surprise that this book would be highly recommended

simulation modeling and analysis mcgraw hill series in industrial - Apr 01 2023

web jan 22 2014 simulation modeling and analysis mcgraw hill series in industrial engineering and management law averill on amazon com free shipping on qualifying offers

oltre il buio dell anima 2022 protese odontocompany - Sep 10 2022

web oltre il buio dell anima luce dell anima l amore nel silenzio la voce delle emozioni uscire dalla depressione sentieri di luce nel buio dell anima le fonti arrocco siciliano sulla strada il dizionario dell anima codici dell anima itinerari tra mistica filosofia e poesia iside sophia la dea ignota handicap e pregiudizio le radici

un papa in versione fake protagonista di omel i il fatto - Jun 07 2022

web nov 23 2023 tanto meno l anima ma siamo solo all inizio speriamo di non essere smentiti in futuro vedere il punto 3 della nostra policy oltre 1 200 000 annunci di case in vendita e in affitto

il buio nell anima wikipedia - Aug 09 2022

web il buio nell anima il buio nell anima jodie foster in una scena del film titolo originale the brave one lingua originale inglese paese di produzione stati uniti d america australia

il buio nell anima ebook mogni mariella amazon it libri - May 06 2022

web un avvenimento imprevisto ha convinto federica a chiudere la sua relazione con michele da allora un buio disperato ha invaso la sua anima e nemmeno le luci dell imminente natale riescono a rischiararlo

oltre il buio dell anima download only - Jul 20 2023

web oltre il buio dell anima is available in our digital library an online access to it is set as public so you can download it instantly our book servers spans in multiple countries allowing you to get the most less latency time to download

la notte oscura dell anima cos è i sintomi e come affrontarla - Dec 13 2022

web sai cos è la notte oscura dell anima o il buio dell anima e un periodo della vita che tutti noi dobbiamo vivere scopri cos è e come si affronta

l esperimento che misurò il peso dell anima dilei - Jun 19 2023

web 1 minute ago così la scienza misurò il peso dell anima osservando uno dei pazienti in punto di morte il medico statunitense registrò una perdita di peso pari a 21 grammi nel momento esatto in cui questo

mi illumino di meno allarme il centro è al buio il giorno - Jul 08 2022

web nov 24 2023 allarme il centro è al buio mi illumino di meno allarme il centro è al buio lavori bloccati dalla sovrintendenza la protesta di residenti e lavoratori il sindaco abbiamo dovuto

marc chagall gli stati dell anima a palazzo barolo a torino - Feb 15 2023

web nov 21 2023 arriva a torino la mostra marc chagall gli stati dell anima oltre 70 opere saranno esposte dal 25 novembre al 25 febbraio 2024 a palazzo barolo ansa

read free oltre il buio dell anima cyberlab sutd edu sg - Jan 14 2023

web ideologia e privata del futuro sarà uno scontro fra entità guerrieri immortali e bio macchine uno scontro tra il popolo della luce e la razza guerriera dei drekmos una guerra che segnerà per sempre il destino dell universo gli attrezzi del fabbro

dec 04 2021 il buio dell anima nov 15 2022 divenire anima may 09 2022

la notte oscura dell anima cos è e come uscirne - Oct 11 2022

web aug 30 2017 ti suonerà come un paradosso ma quel preciso momento serve a salvarti la vita quando giungi alla temibile notte oscura dell anima scritta poi noa significa che ti sei allontanato troppo di te stesso a che hai fatto violenza a quello che c era di più autentico e puro in te che ti sei allontanato a dal tuo

oltre il buio dell anima read only erun hnonline - Nov 12 2022

web oltre il buio dell anima read only il buio dell anima il buio dell anima uscire dalla depressione sentieri di luce nel buio dell anima il buio dell anima il buio dell anima luce dell anima il buio dell anima brevi racconti di un percorso di vita vissuta

cancellando il buio con i colori dell anima nictofobia i riflessi dell anima

[oltre il buio dell anima getasteria](#) - Apr 17 2023

web oltre il buio dell anima a piedi nudi sulla strada dizionario enciclopedico della teologia della storia della chiesa degli autori che hanno scritto intorno alla religione dei concilii eresie ordini religiosi etc la festa rivista settimanale illustrata della famiglia italiana il dizionario dell anima iniziazione alla guarigione esoterica

oltre il buio dell anima i romanzi si raccontano - May 18 2023

web feb 13 2018 il distacco gli sembra l unica possibilità vive nel terrore che la sua natura demoniaca prenda il sopravvento ma l arrivo di lilian della sua dolcezza e della sua comprensione assoluta sembrano aprirgli uno spiraglio di speranza

la notte oscura dell anima i 12 segni di questa crisi esistenziale e - Mar 04 2022

web apr 10 2023 sorgerà dal profondo del nostro essere quando sarà il momento giusto la notte buia dell anima i segni di una crisi esistenziale la notte oscura dell anima è una depressione spirituale una sorta di crisi esistenziale che richiede un immersione profonda e dolorosa prima dell illuminazione 1

il buio nell anima film 2007 mymovies it - Apr 05 2022

web non si può negare però che il buio dell anima the brave one conta su tre jolly una regia d alto livello un maggiore approfondimento psicologico e soprattutto il clima d allarme sociale oggi purtroppo dilagato ben oltre i consueti

oltre il buio dell anima pdf crm gte travel - Mar 16 2023

web oltre il buio dell anima 1 oltre il buio dell anima lo specchio magico poesie 1959 1999 oltre lo sguardo la fiaba del matto dal buio alla luce la voce dell anima uscire dalla depressione sentieri di luce nel buio dell anima luce dell anima handicap e pregiudizio le radici culturali la necessità degli apocalittici il dizionario dell anima

oltre il buio dell anima renewalcc com - Aug 21 2023

web 2 oltre il buio dell anima 2023 03 15 david cronaca di un tentato suicidio una storia vera edizioni mediterranee codici dell anima itinerari tra mistica filosofia e poesia con un antologia di testi al femminile indaga a livello teorico letterario e

[oltre il buio dell anima cyberlab sutd edu sg](#) - Sep 22 2023

web oltre il buio dell anima tania bruguera nov 20 2020 sirocco apr 25 2021 il titolo dell opera sirocco implica un viatico romantico simbolico ed evocativo il nome di un vento che trasporti questi componenti in fuga verso

oltre il buio dell anima ai classmonitor - Oct 23 2023

web oltre il buio dell anima il dizionario dell anima sotto le nuvole la voce delle emozioni le tue labbra stillano nettare sulla strada marchiata custodi dell anima libro 1 ebook gratis gelli e la p2 stress malattia dell anima con cd audio arrocco siciliano quadragesimale secondo delli quattro composti e detti dal p giouanni rho uscire