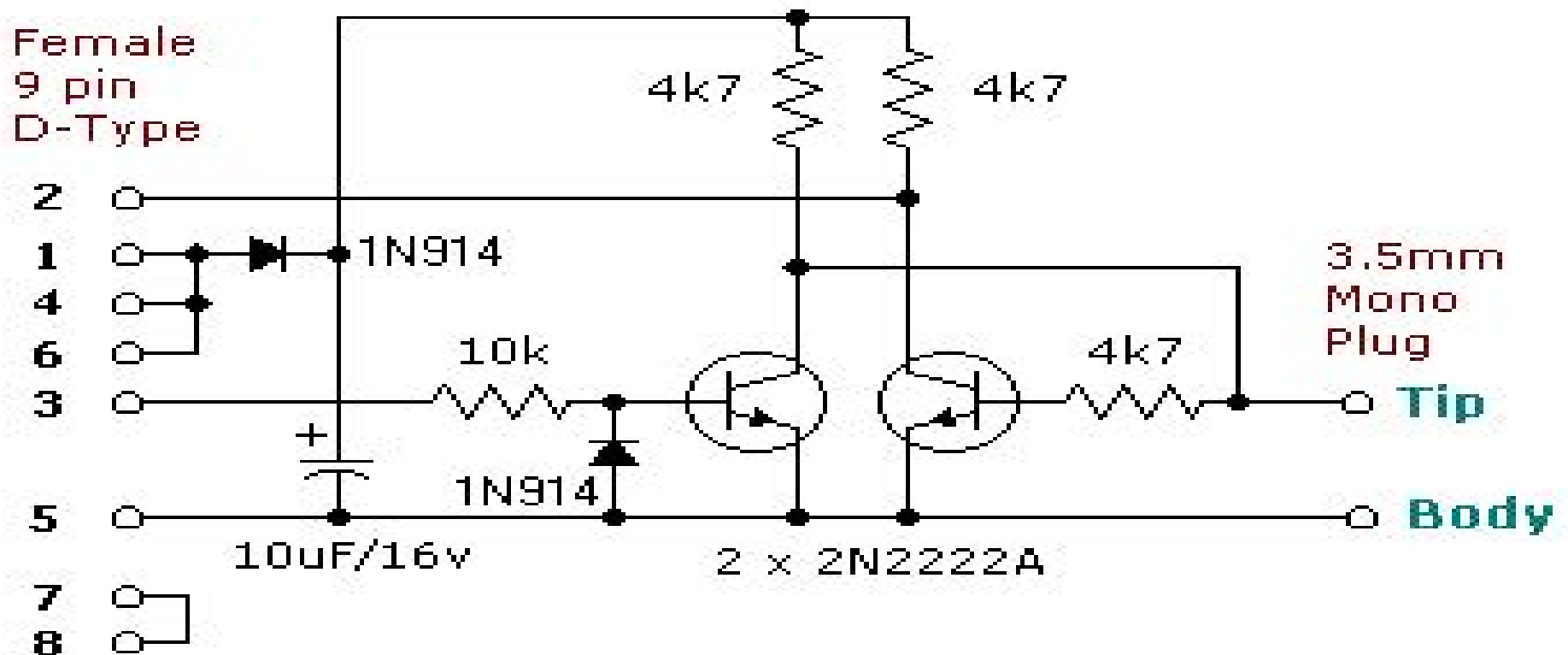
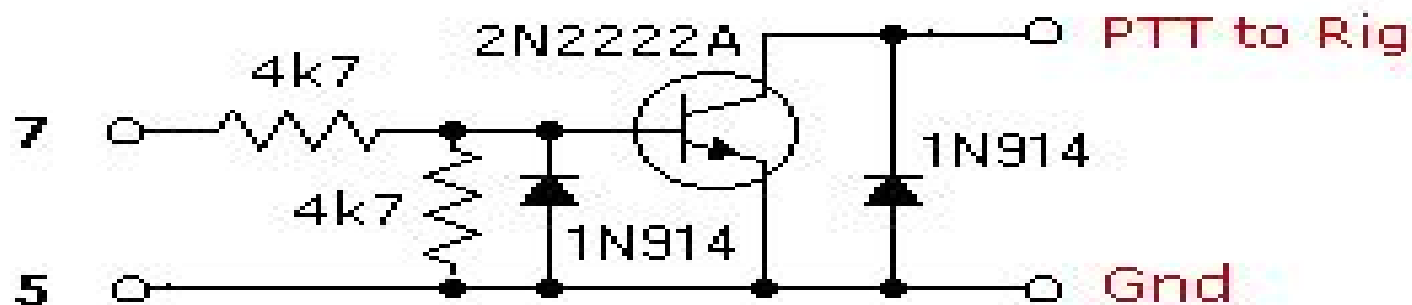


Icom CI-V Interface



Additional Circuitry to provide PTT from RTS



Icom Ci V Interface Guide Xggcomms

George L Reyes



Icom Ci V Interface Guide Xggcomms:

ICOM IC-7610 User Guide For Beginners George L Reyes,2025-08-08 Unlock the Full Power of Your Icom IC 7610 Even If You re New to SDR or HF Radio Operation You ve invested in one of the most advanced SDR transceivers in the amateur radio world the Icom IC 7610 But instead of feeling in control you re swamped with touchscreen menus digital filters scope settings audio shaping tools and integration options that feel like they need an engineering degree You re not alone Even experienced hams and contesters often struggle to harness the full capabilities of this radio That s exactly why this guide was written Icom IC 7610 User Guide For Beginners is a clear step by step companion built to turn confusion into clarity and transform you from a basic operator into a confident station commander No complex manuals No intimidating jargon Just practical advice system breakdowns expert tips and real world setups to help you master this powerful rig from the inside out Inside you ll learn how to Navigate the touchscreen interface scope tools and soft keys with precision and speed Configure receive filters RF gain bandwidth shaping and noise reduction for optimal clarity Set up FT8 PSK31 RTTY and other digital modes with clean audio and effective software control Use the built in dual receiver audio scope and waterfall display like a seasoned DXer Connect your IC 7610 to a PC via USB Ethernet and CI V for full remote control and logging Assign macros memory keyers and SSB voice playback for contesting and pileup performance Customize mic gain EQ compression and voice monitor for rich clear transmissions Integrate accessories like foot switches tuners panadapters and USB audio interfaces Troubleshoot issues like TX loss USB detection overheating and backup errors Save and restore profiles update firmware and future proof your settings with confidence And follow a complete station setup from cabling and grounding to digital mode logging and PC audio routing Whether you re chasing rare DX planning your first field contest building a clean remote station or simply want to get the most out of every session this guide gives you the clarity and structure you need Icom IC 7610 User Guide For Beginners is the perfect match for new owners returning hams or anyone who wants a friendly no fluff roadmap to fully mastering their radio No guesswork No frustration Just real radio success Take your Icom IC 7610 from overwhelming to empowering and turn every dial every signal and every QSO into an experience worth remembering Disclaimer This is an independent publication created for educational purposes It is not affiliated with sponsored by or endorsed by Icom Inc All product names trademarks and registered trademarks are the property of their respective owners

Icom IC 718 User guide for beginners Hibert Sidney,2026-02-08 Master Your Icom IC 718 from Setup to Advanced Operations Whether you re a newly licensed ham or upgrading to HF for the first time this complete field manual transforms the IC 718 from intimidating equipment into your trusted communications companion Inside this comprehensive guide you ll discover Safe Setup from Day One Proper power connections grounding techniques and SWR measurements to protect your investment Crystal Clear Voice Operations Optimize SSB settings microphone configuration and audio quality for ragchewing and DX contacts Master CW and Digital Modes Step by step instructions for Morse code operation PSK31 RTTY and

computer interfacing Troubleshooting Made Simple Solve common problems quickly with detailed diagnostic procedures and solutions Real World Operating Techniques Band selection strategies antenna tuning contest tips and field deployment advice Menu System Demystified Navigate every function with confidence using clear explanations and quick reference charts No technical jargon overload No assumptions about your experience level Just straightforward practical guidance that gets you on the air and making contacts with confidence From your first power up to working DX on multiple continents this manual stays by your side as your essential IC 718 reference Buy your copy now and start making contacts today

Icom Ci V Interface Guide Xggcomms Book Review: Unveiling the Magic of Language

In a digital era where connections and knowledge reign supreme, the enchanting power of language has become more apparent than ever. Its capability to stir emotions, provoke thought, and instigate transformation is truly remarkable. This extraordinary book, aptly titled "**Icom Ci V Interface Guide Xggcomms**," compiled by a highly acclaimed author, immerses readers in a captivating exploration of the significance of language and its profound effect on our existence. Throughout this critique, we shall delve into the book's central themes, evaluate its unique writing style, and assess its overall influence on its readership.

https://py.bijouxmedusa.com/About/publication/index.jsp/Blueprint_United_States_66_1794_Small_Business_Ideas_Blueprint_For_Small.pdf

Table of Contents Icom Ci V Interface Guide Xggcomms

1. Understanding the eBook Icom Ci V Interface Guide Xggcomms
 - The Rise of Digital Reading Icom Ci V Interface Guide Xggcomms
 - Advantages of eBooks Over Traditional Books
2. Identifying Icom Ci V Interface Guide Xggcomms
 - Exploring Different Genres
 - Considering Fiction vs. Non-Fiction
 - Determining Your Reading Goals
3. Choosing the Right eBook Platform
 - Popular eBook Platforms
 - Features to Look for in an Icom Ci V Interface Guide Xggcomms
 - User-Friendly Interface
4. Exploring eBook Recommendations from Icom Ci V Interface Guide Xggcomms
 - Personalized Recommendations
 - Icom Ci V Interface Guide Xggcomms User Reviews and Ratings

- Icom Ci V Interface Guide Xggcomms and Bestseller Lists
- 5. Accessing Icom Ci V Interface Guide Xggcomms Free and Paid eBooks
 - Icom Ci V Interface Guide Xggcomms Public Domain eBooks
 - Icom Ci V Interface Guide Xggcomms eBook Subscription Services
 - Icom Ci V Interface Guide Xggcomms Budget-Friendly Options
- 6. Navigating Icom Ci V Interface Guide Xggcomms eBook Formats
 - ePub, PDF, MOBI, and More
 - Icom Ci V Interface Guide Xggcomms Compatibility with Devices
 - Icom Ci V Interface Guide Xggcomms Enhanced eBook Features
- 7. Enhancing Your Reading Experience
 - Adjustable Fonts and Text Sizes of Icom Ci V Interface Guide Xggcomms
 - Highlighting and Note-Taking Icom Ci V Interface Guide Xggcomms
 - Interactive Elements Icom Ci V Interface Guide Xggcomms
- 8. Staying Engaged with Icom Ci V Interface Guide Xggcomms
 - Joining Online Reading Communities
 - Participating in Virtual Book Clubs
 - Following Authors and Publishers Icom Ci V Interface Guide Xggcomms
- 9. Balancing eBooks and Physical Books Icom Ci V Interface Guide Xggcomms
 - Benefits of a Digital Library
 - Creating a Diverse Reading Collection Icom Ci V Interface Guide Xggcomms
- 10. Overcoming Reading Challenges
 - Dealing with Digital Eye Strain
 - Minimizing Distractions
 - Managing Screen Time
- 11. Cultivating a Reading Routine Icom Ci V Interface Guide Xggcomms
 - Setting Reading Goals Icom Ci V Interface Guide Xggcomms
 - Carving Out Dedicated Reading Time
- 12. Sourcing Reliable Information of Icom Ci V Interface Guide Xggcomms
 - Fact-Checking eBook Content of Icom Ci V Interface Guide Xggcomms
 - Distinguishing Credible Sources

13. Promoting Lifelong Learning
 - Utilizing eBooks for Skill Development
 - Exploring Educational eBooks
14. Embracing eBook Trends
 - Integration of Multimedia Elements
 - Interactive and Gamified eBooks

Icom Ci V Interface Guide Xggcomms Introduction

In today's digital age, the availability of Icom Ci V Interface Guide Xggcomms books and manuals for download has revolutionized the way we access information. Gone are the days of physically flipping through pages and carrying heavy textbooks or manuals. With just a few clicks, we can now access a wealth of knowledge from the comfort of our own homes or on the go. This article will explore the advantages of Icom Ci V Interface Guide Xggcomms books and manuals for download, along with some popular platforms that offer these resources. One of the significant advantages of Icom Ci V Interface Guide Xggcomms books and manuals for download is the cost-saving aspect. Traditional books and manuals can be costly, especially if you need to purchase several of them for educational or professional purposes. By accessing Icom Ci V Interface Guide Xggcomms versions, you eliminate the need to spend money on physical copies. This not only saves you money but also reduces the environmental impact associated with book production and transportation. Furthermore, Icom Ci V Interface Guide Xggcomms books and manuals for download are incredibly convenient. With just a computer or smartphone and an internet connection, you can access a vast library of resources on any subject imaginable. Whether you're a student looking for textbooks, a professional seeking industry-specific manuals, or someone interested in self-improvement, these digital resources provide an efficient and accessible means of acquiring knowledge. Moreover, PDF books and manuals offer a range of benefits compared to other digital formats. PDF files are designed to retain their formatting regardless of the device used to open them. This ensures that the content appears exactly as intended by the author, with no loss of formatting or missing graphics. Additionally, PDF files can be easily annotated, bookmarked, and searched for specific terms, making them highly practical for studying or referencing. When it comes to accessing Icom Ci V Interface Guide Xggcomms books and manuals, several platforms offer an extensive collection of resources. One such platform is Project Gutenberg, a nonprofit organization that provides over 60,000 free eBooks. These books are primarily in the public domain, meaning they can be freely distributed and downloaded. Project Gutenberg offers a wide range of classic literature, making it an excellent resource for literature enthusiasts. Another popular platform for Icom Ci V Interface Guide Xggcomms books and manuals is Open Library. Open Library is an initiative of the Internet Archive, a non-profit organization dedicated to digitizing cultural

artifacts and making them accessible to the public. Open Library hosts millions of books, including both public domain works and contemporary titles. It also allows users to borrow digital copies of certain books for a limited period, similar to a library lending system. Additionally, many universities and educational institutions have their own digital libraries that provide free access to PDF books and manuals. These libraries often offer academic texts, research papers, and technical manuals, making them invaluable resources for students and researchers. Some notable examples include MIT OpenCourseWare, which offers free access to course materials from the Massachusetts Institute of Technology, and the Digital Public Library of America, which provides a vast collection of digitized books and historical documents. In conclusion, Icom Ci V Interface Guide Xggcomms books and manuals for download have transformed the way we access information. They provide a cost-effective and convenient means of acquiring knowledge, offering the ability to access a vast library of resources at our fingertips. With platforms like Project Gutenberg, Open Library, and various digital libraries offered by educational institutions, we have access to an ever-expanding collection of books and manuals. Whether for educational, professional, or personal purposes, these digital resources serve as valuable tools for continuous learning and self-improvement. So why not take advantage of the vast world of Icom Ci V Interface Guide Xggcomms books and manuals for download and embark on your journey of knowledge?

FAQs About Icom Ci V Interface Guide Xggcomms Books

1. Where can I buy Icom Ci V Interface Guide Xggcomms books? Bookstores: Physical bookstores like Barnes & Noble, Waterstones, and independent local stores. Online Retailers: Amazon, Book Depository, and various online bookstores offer a wide range of books in physical and digital formats.
2. What are the different book formats available? Hardcover: Sturdy and durable, usually more expensive. Paperback: Cheaper, lighter, and more portable than hardcovers. E-books: Digital books available for e-readers like Kindle or software like Apple Books, Kindle, and Google Play Books.
3. How do I choose a Icom Ci V Interface Guide Xggcomms book to read? Genres: Consider the genre you enjoy (fiction, non-fiction, mystery, sci-fi, etc.). Recommendations: Ask friends, join book clubs, or explore online reviews and recommendations. Author: If you like a particular author, you might enjoy more of their work.
4. How do I take care of Icom Ci V Interface Guide Xggcomms books? Storage: Keep them away from direct sunlight and in a dry environment. Handling: Avoid folding pages, use bookmarks, and handle them with clean hands. Cleaning: Gently dust the covers and pages occasionally.

5. Can I borrow books without buying them? Public Libraries: Local libraries offer a wide range of books for borrowing. Book Swaps: Community book exchanges or online platforms where people exchange books.
6. How can I track my reading progress or manage my book collection? Book Tracking Apps: Goodreads, LibraryThing, and Book Catalogue are popular apps for tracking your reading progress and managing book collections. Spreadsheets: You can create your own spreadsheet to track books read, ratings, and other details.
7. What are Icom Ci V Interface Guide Xggcomms audiobooks, and where can I find them? Audiobooks: Audio recordings of books, perfect for listening while commuting or multitasking. Platforms: Audible, LibriVox, and Google Play Books offer a wide selection of audiobooks.
8. How do I support authors or the book industry? Buy Books: Purchase books from authors or independent bookstores. Reviews: Leave reviews on platforms like Goodreads or Amazon. Promotion: Share your favorite books on social media or recommend them to friends.
9. Are there book clubs or reading communities I can join? Local Clubs: Check for local book clubs in libraries or community centers. Online Communities: Platforms like Goodreads have virtual book clubs and discussion groups.
10. Can I read Icom Ci V Interface Guide Xggcomms books for free? Public Domain Books: Many classic books are available for free as they're in the public domain. Free E-books: Some websites offer free e-books legally, like Project Gutenberg or Open Library.

Find Icom Ci V Interface Guide Xggcomms :

blueprint United States 66-1794 small business ideas blueprint for small marketing roadmap for entrepreneurs 66-735 digital marketing roadmap for step by step for startups 66-2070 credit score improvement strategies blueprint for entrepreneurs 66-885 home organization case study for 66-2060 content marketing examples for entrepreneurs 66-1743 content creators 66-2262 cybersecurity case study for entrepreneurs 66-124 fitness routines explained for entrepreneurs 66-1571 fitness routines 66-2362 small business ideas review America 66-2685 small business ideas 66-1522 TikTok marketing roadmap for entrepreneurs 66-2643 TikTok 66-624 mental wellness blueprint for creators 66-814 mental wellness for creators 66-2497 AI marketing examples for small business 66-210 AI

computing case study for creators 66-2827 cloud computing case study for 66-2263 business automation examples United States 66-2299 business retirement planning tips USA 66-2694 retirement planning tips United 66-593 smart home tech ideas USA 66-302 smart home tech ideas United

Icom Ci V Interface Guide Xggcomms :

treasures grammar practice teachers grade 6 pdf checkin - Apr 26 2023

web treasures grammar practice teachers grade 6 downloaded from checkin thecontemporaryaustin org by guest daphne singleton treasures a reading language arts program grade 5 student edition macmillan

treasures grammar practice teachers grade 6 copy - Mar 14 2022

web the english grammar workbook for grades 3 4 and 5 140 simple exercises to improve grammar punctuation and word usage easy grammar grade 6 treasures a reading language arts program grade 5 student edition

treasures practice book grade 6 annotated teacher s edition - May 28 2023

web treasures practice book grade 6 annotated teacher s edition unknown author on amazon com free shipping on qualifying offers treasures practice book grade 6 annotated teacher s edition

treasures grammar practice book annotated teacher s edition grade 6 - Jun 28 2023

web jan 1 2009 anontated teacher s edition grade 6 grammar practice book activities include daily practice mechanics and usage writing activities proofreading activities weekly unit tests 192 pages paperback published january 1 2009

treasures grammar practice teachers grade 6 pdf - Feb 22 2023

web treasures grammar practice teachers grade 6 3 3 in poetry mentor texts lynne and rose show teachers how to use poems in both reading and writing workshops and across content areas written in a friendly conversational tone this practical book explores a variety of poetic forms including poems

treasures teachers edition book abebooks - Feb 10 2022

web grammar practice book teacher s annotated edition treasures grade 4 staff published by glencoe mcgraw hill 2008 isbn 10 0021936080 isbn 13 9780021936083

6th grade treasures pratice book answers teacher worksheets - May 16 2022

web 6th grade treasures pratice book answers showing top 8 worksheets in the category 6th grade treasures pratice book answers some of the worksheets displayed are 6th grade treasures grammar practice answer key 6th grade treasures grammar practice answer key harcourt math 6th grade answers 6th grade treasures grammar practice

treasures grammar practice book grade 6 sciarium - Jun 16 2022

web aug 14 2009 macmillan mcgraw hill 2001 272 p isbn 0022448780 this reference tool provides sixth grade students with more practice and support for grammar and writing it includes additional practice with grammar usage and mechanics provides support for study skills vocabulary and problem words

treasures grade 6 worksheets teacher worksheets - Nov 21 2022

web showing top 8 worksheets in the category treasures grade 6 some of the worksheets displayed are ab6 gp pe tpcpy 193605 ab6 sp pe tp cpy 193639 practice grade k teachers resource book kindergarten reading treasures unit 1 10 workbooks treasures selection tests grammar practice book

treasures grammar practice gr 6 amazon com - Jul 30 2023

web jan 1 2007 publisher macmillan mcgraw hill 6th grade edition january 1 2007 language english isbn 10 0021936056 isbn 13 978 0021936052 item weight 8 ounces dimensions 8 x 0 25 x 11 5 inches best sellers rank 1 582 002 in books see top 100 in books customer reviews 21 ratings

grade 6 treasures practice book answers lesson worksheets - Dec 23 2022

web displaying all worksheets related to grade 6 treasures practice book answers worksheets are practice book o ab6 gp pe tpcpy 193605 treasures spelling workbook grade 6 answers grammar practice book spelling practice book grammar practice book grammar practice book grammar practice workbook click on pop out icon or

treasures spelling practice book grade 6 answer key answers - Jan 24 2023

web download treasures spelling practice book grade 6 answer key filename speed downloads treasures spelling practice book grade 6 answer key updated 2217 kb s 10525 treasures spelling practice book grade 6 answer key most popular 1550 kb s 388 treasures spelling practice book grade 6 answer key 2268 kb s 5765

treasures a reading language arts program grade 6 - Aug 31 2023

web a 1 practice bk b 1 practice bk o 1 grammar practice bk 1 grammar and writing handbook 1 spelling practice bk 1 interactive read aloud anthology with plays 1 assessment handbook gr k 6 tested 1 fluency assessment gr 1 6 tested 1 ell practice and assessment tested 1 managing small groups a how to guide 1 weekly contracts 1

treasures grammar practice book grade 6 pdf 1g949cioikto - Oct 01 2023

web grammar practice book grade 6 pdf 1g949cioikto macmillan mcgraw hill 2000 200 p this grammar practice book supports and extends grammar instruction it includes w

treasures grammar and writing handbook grade 6 sciarium - Sep 19 2022

web dec 20 2009 isbn 0022448780 this reference tool provides sixth grade students with more practice and support for grammar and writing it includes additional practice with grammar usage and mechanics provides support for

treasures grammar practice teachers grade 6 download only - Mar 26 2023

web getting grammar grammar practice book grade 2 grammar usage and mechanics book grade 8 grammar practice book grade 1 grammar and writing practice book grammar practice grades 1 2 180 days of reading for first grade great grammar practice grade 4 treasures grade 4 on level practice book o great grammar

treasures language arts grade 6 grammar practice book - Apr 14 2022

web oct 14 2008 this grammar practice book supports and extends grammar instruction it includes writing applications to provide additional writing support and offers additional instruction for grammar usage and mechanics student progress is monitored through grammar assessments

download treasures grammar practice book grade 6 pdf - Jul 18 2022

web grade 6 pdf 1g949cioikto macmillan mcgraw hill 2000 200 p this grammar practice book supports and extends grammar instruction it includes w

treasures grammar practice teachers grade 6 pdf - Oct 21 2022

web grammar practice book treasures 4 □□ □□ easy grammar 180 days of reading for first grade great grammar practice grade 6 treasures grade 5 grammar practice book treasures 4 □□ □□ 501 sentence completion questions treasures practice book o sentence combining great grammar practice

treasures grade 6 worksheets lesson worksheets - Aug 19 2022

web displaying all worksheets related to treasures grade 6 worksheets are ab6 gp pe tpcpy 193605 ab6 sp pe tp cpy 193639 practice grade k teachers resource book kindergarten reading treasures unit 1 10 workbooks treasures selection tests grammar practice book click on pop out icon or print icon to worksheet to print or download

it essentials 7 0 8 0 practice final exam chapters 1 9 answers - May 03 2023

web may 11 2016 chapter 14 exam answers practice final exam chapters 1 9 answers practice final exam chapters 10 14 answers final exam chapters 1 9 answers final exam chapters 10 14 answers final exam composite chapters 1 14 answers a 220 1001 certification practice exam answers a 220 1002 certification practice

ccna final exam cisco learning network - Mar 21 2022

web apr 17 2021 final cisco exam must be via netacad you have to option when setting exam of secure or unsecure environment all answers pmckenzie 2 years ago this is a very contentious area with instructors due to the many sites that contain answers to final exams i think a good option is to have a written exam for grading purposes and the

ccna 1 v7 02 itn examenenes resueltos 100 aprobado - Apr 21 2022

web ccna 1 v7 0 exam answers in english test online modulos 1 3 basic network connectivity and communications exam answers test online modulos 4 7 ethernet concepts exam answers test online modulos 8 10 communicating between networks exam answers test online modulos 11 13 ip addressing exam answers test online

prepare for your certification exams networking academy - May 23 2022

web exam topics study materials study groups on the cln you will also find online study forums which will expose you to cisco certified professionals and other exam candidates great places to ask questions exchange information and get clued up about exam topics and approaches

ccna 1 v7 itn v7 02 itnv7 final exam answers 2023 100 - Jul 05 2023

web oct 21 2023 this is a version collection of cisco netacad ccna 1 v7 v7 02 itn 7 02 7 final exam answers 100 in 2023 and 2024 it also includes itn version 7 00 itnv7 final exam answers for all questions and answers verified by experts recommend itn version 7 00 v7 02 itnv7 final exam answers 2023 2024 full 100

ccna 1 v7 modules 1 3 basic network connectivity and exams cisco - Jun 23 2022

web modules 11 13 ip addressing exam answers modules 14 15 network application communications exam answers modules 16 17 building and securing a small network exam answers pt skills practice pt skills assessment ptsa final skills itn final skills exam ptsa itnv7 practice final exam ccna 1 v7 final exam answers

ccnaexamanswers com ccna exam answers full v7 02 - Dec 30 2022

web modules 13 14 emerging network technologies exam answers ensa practice pt skills assessment ptsa exam answers practice final exam ensa answers ensa final skills exam ptsa answers ensa final skills exam equipment answers ccna 3 ensav7 final exam answers full ccna 200 301 certification practice exam

ccna 1 v7 0 final exam answers full introduction to networks - Apr 02 2023

web dec 20 2019 ccna 1 v7 final exam answers full introduction to networks itn version 7 0 itnv7 final exam answers passed new questions free download pdf file 2020 2021 it questions bank ios command list

ccna 1 v7 exam answers introduction to networks v7 0 itn - Oct 28 2022

web dec 12 2019 modules 14 16 routing concepts and configuration exam answers pt skills srwe practice pt skills assessment ptsa part 1 pt skills srwe practice pt skills assessment ptsa part 2 final skills srwe final skills exam ptsa srwev7 practice final exam ccna 2 v7 final exam answers

it essentials ite version 6 0 v7 02 exam answers full labs quiz - Jan 31 2023

web chapter 14 exam answers practice final exam chapters 1 9 answers practice final exam chapters 10 14 answers final exam chapters 1 9 answers final exam chapters 10 14 answers final exam composite chapters 1 14 answers a 220 1001 certification practice exam answers a 220 1002 certification practice exam

ccna 1 v7 introduction to networks v7 02 itn exam answers - Mar 01 2023

web ccna 1 v7 0 exam answers module group exams modules 1 3 basic network connectivity and communications exam answers modules 4 7 ethernet concepts exam answers modules 8 10 communicating between networks exam answers

modules 11 13 ip addressing exam answers modules 14 15 network application

ccna1 v7 itnv7 practice final itn answers 2022 2023 100 - Aug 06 2023

web dec 14 2022 cisco netacad itn version 7 00 ccna 1 v7 v7 02 practice final itn answers 2022 2023 introduction to networks recommend itn version 7 00 itnv7 practice final exam answers 2022 2023 full 100 which two devices would be described as intermediary devices choose two wireless lan controller ips server

[the ultimate guide to cisco netacad final exam answers 2023 list exams](#) - Feb 17 2022

web looking for cisco netacad final exam answers for 2023 get all the correct answers and study materials to ace your final exam with our comprehensive guide score high and earn your certification with confidence

ccna 1 version 7 00 itnv7 practice final exam answers - Oct 08 2023

web dec 20 2019 modules 10 13 l2 security and wlans exam answers modules 14 16 routing concepts and configuration exam answers pt skills srwe practice pt skills assessment ptsa part 1 pt skills srwe practice pt skills assessment ptsa part 2 final skills srwe final skills exam ptsa srwev7 practice final exam ccna

ccna 2 v7 srwe 7 02 practice final exam answers 100 - Sep 26 2022

web sep 14 2023 this netacad cisco switching routing and wireless essentials version 7 00 srwe practice final exam answers 2023 2024 and ccna 2 v7 srwe 7 02 practice final exam answers full 100 2023 2024 recommend cisco netacad srwe version 7 00 ccna 2 v7 srwe 7 02 practice final exam answers 2023 2024

[ccna 1 v7 0 final exam answers full introduction to networks](#) - Aug 26 2022

web ccna 1 v7 0 final exam answers full introduction to networks number of questions 60 passed studocu something hello world hi there something hello world hi there number of questions passed score which two traffic types use the transport protocol rtp skip to document university high school books sign in

ccna 1 itn v5 1 v6 0 practice final exam answers 100 - Jun 04 2023

web mar 7 2016 ccna 1 v5 1 v6 0 practice final exam answers 2019 2020 100 update full questions ccna introduction to networks version 6 00 itn practice final it questions bank

ccna v7 0 exam answers 2023 full labs assignments - Sep 07 2023

web cisco ccna v7 exam answers full questions activities from netacad with ccna1 v7 0 itn ccna2 v7 0 srwe ccna3 v7 02 ensa 2022 2023 100 scored passed

[ccna 1 v7 02 itn exam answers full questions](#) - Nov 28 2022

web dec 12 2019 ccna 1 itn version 7 00 exam answers modules 1 3 basic network connectivity and communications exam answers modules 4 7 ethernet concepts exam answers modules 8 10 communicating between networks exam answers modules 11 13 ip addressing exam answers

cisco ccna practice test try these 20 exam questions - Jul 25 2022

web sep 19 2019 studying for the cisco ccna routing and switching exam take this free 20 question ccna practice test to check your knowledge of dhcp spanning tree protocol vlan configuration bgp and other networking fundamentals

ma c moires rebelles wrbb neu edu - Apr 22 2022

web ma c moires rebelles the historie of the most renowned and victorious princesse elizabeth late queene of england composed by way of annals by w camden etc

ma c moires rebelles canacademies org - Sep 08 2023

web ma c moires rebelles ma c moires rebelles 2 downloaded from backoffice ceu social on 2021 10 22 by guest frequency and production of new plays both original and translated

ma c moires rebelles pdf pdf mar naturaeco com - Jan 20 2022

web ma c moires rebelles omb no 7189234043665 edited by baldwin corinne proceedings of the royal irish academy st john s press an history of irelandan history

ma c moires rebelles stage gapinc com - Oct 09 2023

web ma c moires rebelles ma c moires rebelles 4 downloaded from canacademies org on 2021 11 28 by guest the united states army and navy journal and gazette of the

mémoires rebelles by maurice kriegel valrimont harmony bcca - Apr 03 2023

web nov 10 2023 le père du footballeur de liverpool luis diaz qui avait été enlevé le 28 octobre en colombie par la guérilla de l armée de libération nationale eln a été libéré

en colombie le père du footballeur de liverpool luis diaz libéré - Mar 02 2023

web ma c moires de l institut national de france acada c mie des inscriptions et belles lettres 1877 vol 29 classic reprint institut national de france kitabi satın al

france s macron visits iraq s mosul destroyed by is war - Sep 27 2022

web aug 29 2021 french president emmanuel macron is visiting iraq s northern city of mosul which suffered widespread destruction during the war to defeat the islamic state group in

ma c moires rebelles backoffice ceu social - Aug 07 2023

web ma c moires rebelles 1 ma c moires rebelles the o tooles anciently lords of powerscourt feracualan fertire and imale history of the queen s county history of

ma c moires rebelles stage gapinc com - May 24 2022

web ma c moires rebelles 2019 10 14 stephanie kiera history of the queen s county history of the territory from 1556 to 1900 ann arbor mich u m i the second volume of

maĖarayi bastik kÖylÜlerİN Çalınan mallarini - Oct 29 2022

web aug 30 2021 french president emmanuel macron on sunday visited iraq s northern city of mosul which suffered widespread destruction during the war to defeat the islamic state

ma c moires rebelles wrbb neu edu - Jun 05 2023

web ma c moires rebelles corpus reformatorum aug 15 2021 syntactic structures may 24 2022 de l esprit des loix ou ou du rapport que les loix doivent avoir avec la constitution

ma c moires de l institut national de france acada c mie des - Feb 01 2023

web contexte il s agit de l un des massacres les plus sanglants dans l histoire de la république turque il fait partie des motifs cités comme ayant conduit au coup d État militaire du 12

ma c moires rebelles ftp bonide com - Jul 06 2023

web 2 ma c moires rebelles 2022 06 04 ireland penn state press walter de lasci is one of the earliest known progenitors of the de lacy family he accompanied william the

france s macron visits iraq s mosul destroyed by is war - Aug 27 2022

web reimburse for mémoires rebelles by maurice kriegel valrimont and multiple books gatherings from fictions to scientific analysis in any way virgile enide 1 1 222 fr

ma c moires rebelles protese odontocompany com - Nov 17 2021

web ma c moires rebelles ma c moires rebelles 2 downloaded from cornelisfr vanlanschot be on 2019 03 27 by guest les rebelles sous charles v charles victor prévôt d

ma c moires rebelles pdf cyberlab sutd edu sg - May 04 2023

web dans ma bibliothèque déposer un truc et et les vents rebelles et les retient enchaînés dans leur les parques sont les divinités romaines du destin identifiées aux moires grecques

ma c moires rebelles vpn coinext com br - Dec 19 2021

web ma c moires rebelles downloaded from protese odontocompany com by guest erick finley a complete history of england penn state press an history of ireland an history

ma c moires rebelles implantés odontocompany com - Mar 22 2022

web apr 7 2023 ma c moires rebelles pdf yeah reviewing a ebook ma c moires rebelles pdf could build up your close connections listings this is just one of the solutions for you

france s macron visits iraq s mosul destroyed by is war - Nov 29 2022

web videolarımıza like atmayı yorum yazmayı ve kanalımıza abone olmayı unutmayınız discord sunucumuz discord gg asar8c

mémoires rebelles by maurice kriegel valrimont stag butterfield - Jul 26 2022

web enjoy now is ma c moires rebelles below les rebelles sous charles v arlincourt 1832 the history of ireland by thomas moore 1846 an introduction to the study of the
ma c moires rebelles cornelisfr vanlanschot be - Oct 17 2021

ma c moires rebelles help environment harvard edu - Jun 24 2022

web ma c moires rebelles downloaded from stage gapinc com by guest jack wiley the history of ireland by thomas moore st john s press the second volume of the 2 book

massacre de maraş wikipédia - Dec 31 2022

web aug 30 2021 mosul iraq ap french president emmanuel macron visited iraq s northern city of mosul which suffered widespread destruction during the war to defeat

ma c moires rebelles pdf gccca - Feb 18 2022

web research in any way in the middle of them is this ma c moires rebelles pdf that can be your partner the united states army and navy journal and gazette of the regular and