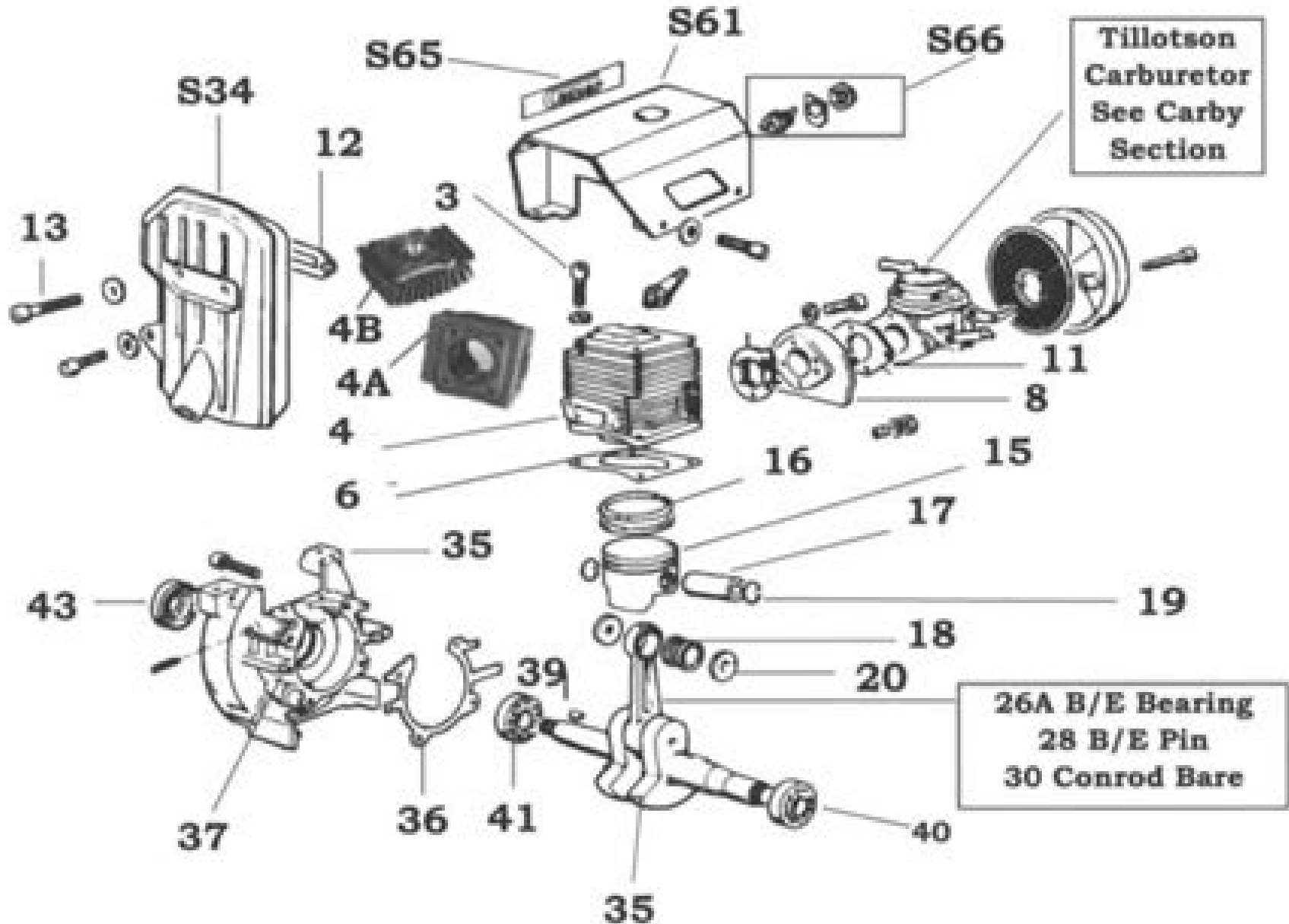


COMER S80/W80 ENGINE



Comer Engine Manual

O García



Comer Engine Manual:

Eventually, you will unconditionally discover a extra experience and exploit by spending more cash. nevertheless when? realize you receive that you require to get those every needs taking into account having significantly cash? Why dont you attempt to get something basic in the beginning? Thats something that will guide you to understand even more approaching the globe, experience, some places, once history, amusement, and a lot more?

It is your enormously own period to play a role reviewing habit. accompanied by guides you could enjoy now is **Comer Engine Manual** below.

<https://py.bijouxmedusa.com/files/virtual-library/fetch.php/How%20To%20Sell%20Yourself%20Joe%20Girard.pdf>

Table of Contents Comer Engine Manual

1. Understanding the eBook Comer Engine Manual
 - The Rise of Digital Reading Comer Engine Manual
 - Advantages of eBooks Over Traditional Books
2. Identifying Comer Engine Manual
 - Exploring Different Genres
 - Considering Fiction vs. Non-Fiction
 - Determining Your Reading Goals
3. Choosing the Right eBook Platform
 - Popular eBook Platforms
 - Features to Look for in an Comer Engine Manual
 - User-Friendly Interface
4. Exploring eBook Recommendations from Comer Engine Manual
 - Personalized Recommendations
 - Comer Engine Manual User Reviews and Ratings
 - Comer Engine Manual and Bestseller Lists
5. Accessing Comer Engine Manual Free and Paid eBooks

- Comer Engine Manual Public Domain eBooks
 - Comer Engine Manual eBook Subscription Services
 - Comer Engine Manual Budget-Friendly Options
6. Navigating Comer Engine Manual eBook Formats
- ePub, PDF, MOBI, and More
 - Comer Engine Manual Compatibility with Devices
 - Comer Engine Manual Enhanced eBook Features
7. Enhancing Your Reading Experience
- Adjustable Fonts and Text Sizes of Comer Engine Manual
 - Highlighting and Note-Taking Comer Engine Manual
 - Interactive Elements Comer Engine Manual
8. Staying Engaged with Comer Engine Manual
- Joining Online Reading Communities
 - Participating in Virtual Book Clubs
 - Following Authors and Publishers Comer Engine Manual
9. Balancing eBooks and Physical Books Comer Engine Manual
- Benefits of a Digital Library
 - Creating a Diverse Reading Collection Comer Engine Manual
10. Overcoming Reading Challenges
- Dealing with Digital Eye Strain
 - Minimizing Distractions
 - Managing Screen Time
11. Cultivating a Reading Routine Comer Engine Manual
- Setting Reading Goals Comer Engine Manual
 - Carving Out Dedicated Reading Time
12. Sourcing Reliable Information of Comer Engine Manual
- Fact-Checking eBook Content of Comer Engine Manual
 - Distinguishing Credible Sources
13. Promoting Lifelong Learning
- Utilizing eBooks for Skill Development

- Exploring Educational eBooks
14. Embracing eBook Trends
- Integration of Multimedia Elements
 - Interactive and Gamified eBooks

Comer Engine Manual Introduction

Comer Engine Manual Offers over 60,000 free eBooks, including many classics that are in the public domain. Open Library: Provides access to over 1 million free eBooks, including classic literature and contemporary works. Comer Engine Manual Offers a vast collection of books, some of which are available for free as PDF downloads, particularly older books in the public domain. Comer Engine Manual : This website hosts a vast collection of scientific articles, books, and textbooks. While it operates in a legal gray area due to copyright issues, its a popular resource for finding various publications. Internet Archive for Comer Engine Manual : Has an extensive collection of digital content, including books, articles, videos, and more. It has a massive library of free downloadable books. Free-eBooks Comer Engine Manual Offers a diverse range of free eBooks across various genres. Comer Engine Manual Focuses mainly on educational books, textbooks, and business books. It offers free PDF downloads for educational purposes. Comer Engine Manual Provides a large selection of free eBooks in different genres, which are available for download in various formats, including PDF. Finding specific Comer Engine Manual, especially related to Comer Engine Manual, might be challenging as theyre often artistic creations rather than practical blueprints. However, you can explore the following steps to search for or create your own Online Searches: Look for websites, forums, or blogs dedicated to Comer Engine Manual, Sometimes enthusiasts share their designs or concepts in PDF format. Books and Magazines Some Comer Engine Manual books or magazines might include. Look for these in online stores or libraries. Remember that while Comer Engine Manual, sharing copyrighted material without permission is not legal. Always ensure youre either creating your own or obtaining them from legitimate sources that allow sharing and downloading. Library Check if your local library offers eBook lending services. Many libraries have digital catalogs where you can borrow Comer Engine Manual eBooks for free, including popular titles. Online Retailers: Websites like Amazon, Google Books, or Apple Books often sell eBooks. Sometimes, authors or publishers offer promotions or free periods for certain books. Authors Website Occasionally, authors provide excerpts or short stories for free on their websites. While this might not be the Comer Engine Manual full book , it can give you a taste of the authors writing style. Subscription Services Platforms like Kindle Unlimited or Scribd offer subscription-based access to a wide range of Comer Engine Manual eBooks, including some popular titles.

FAQs About Comer Engine Manual Books

1. Where can I buy Comer Engine Manual books? Bookstores: Physical bookstores like Barnes & Noble, Waterstones, and independent local stores. Online Retailers: Amazon, Book Depository, and various online bookstores offer a wide range of books in physical and digital formats.
2. What are the different book formats available? Hardcover: Sturdy and durable, usually more expensive. Paperback: Cheaper, lighter, and more portable than hardcovers. E-books: Digital books available for e-readers like Kindle or software like Apple Books, Kindle, and Google Play Books.
3. How do I choose a Comer Engine Manual book to read? Genres: Consider the genre you enjoy (fiction, non-fiction, mystery, sci-fi, etc.). Recommendations: Ask friends, join book clubs, or explore online reviews and recommendations. Author: If you like a particular author, you might enjoy more of their work.
4. How do I take care of Comer Engine Manual books? Storage: Keep them away from direct sunlight and in a dry environment. Handling: Avoid folding pages, use bookmarks, and handle them with clean hands. Cleaning: Gently dust the covers and pages occasionally.
5. Can I borrow books without buying them? Public Libraries: Local libraries offer a wide range of books for borrowing. Book Swaps: Community book exchanges or online platforms where people exchange books.
6. How can I track my reading progress or manage my book collection? Book Tracking Apps: Goodreads, LibraryThing, and Book Catalogue are popular apps for tracking your reading progress and managing book collections. Spreadsheets: You can create your own spreadsheet to track books read, ratings, and other details.
7. What are Comer Engine Manual audiobooks, and where can I find them? Audiobooks: Audio recordings of books, perfect for listening while commuting or multitasking. Platforms: Audible, LibriVox, and Google Play Books offer a wide selection of audiobooks.
8. How do I support authors or the book industry? Buy Books: Purchase books from authors or independent bookstores. Reviews: Leave reviews on platforms like Goodreads or Amazon. Promotion: Share your favorite books on social media or recommend them to friends.
9. Are there book clubs or reading communities I can join? Local Clubs: Check for local book clubs in libraries or community centers. Online Communities: Platforms like Goodreads have virtual book clubs and discussion groups.
10. Can I read Comer Engine Manual books for free? Public Domain Books: Many classic books are available for free as they're in the public domain. Free E-books: Some websites offer free e-books legally, like Project Gutenberg or Open Library.

Find Comer Engine Manual :

how to sell yourself joe girard

icse short stories and poems workbook teachers handbook

honda gyro x manual

icoyote android cracked apk site de t l chargement

hydraulic press maintenance manual armedforcesradio

ielts interactive flash cards 2500 key words a powerful method to learn the vocabulary you need

ib business management answer book

ib french b paper 1

how to master ccnp switch

~~hse engineer interview questions and answers~~

how to paint citadel miniatures tyranids conass

houghton mifflin math grade 1 teacher edition

iastar series inverter for elevator door machine

hyundai starex service repair

igcse chemistry 0620 11 may june 2009 ms

Comer Engine Manual :

the practice of wudang tai chi chuan english edit copy - Nov 24 2021

web this the practice of wudang tai chi chuan english edit can be taken as with ease as picked to act black belt 1998 06 the oldest and most respected martial arts title in the

the practice of wudang tai chi chuan english edit jwing ming - Sep 22 2021

web of famous masters and the first english translation of the basic t ai chi document known as the t ai chi ch uan classics are also included the practice of wudang tai chi

the practice of wudang tai chi chuan english edit pdf - Feb 25 2022

web mar 13 2023 the practice of wudang tai chi chuan english edit 1 10 downloaded from uniport edu ng on march 13 2023 by guest the practice of wudang tai chi chuan

the practice of wudang tai chi chuan english edit sam f s - Feb 08 2023

web their study and practice wudang qigong yuzeng liu 1999 steal my art stuart alve olson 2002 08 09 now 101 years old

master t t liang came to the u s from taiwan

read free the practice of wudang tai chi chuan english edit - Aug 02 2022

web the practice of wudang tai chi chuan english edit the essence of tai chi chuan apr 06 2023 a handbook of the classical chinese literature on which the art of tai chi is

the practice of wudang tai chi chuan english edit uniport edu - Oct 24 2021

web apr 21 2023 wudang tai chi chuan english edit and numerous book collections from fictions to scientific research in any way accompanied by them is this the practice of

the practice of wudang tai chi chuan english edit pdf - May 11 2023

web aug 19 2023 you could purchase guide the practice of wudang tai chi chuan english edit or get it as soon as feasible you could quickly download this the practice of

the practice of wudang tai chi chuan amazon co uk - Jan 07 2023

web most of the book is about cheng tin hung s tai chi hand form clear how to explanations accompany 500 photos this section will be of most interest to folks practicing cth

the practice of wudang tai chi chuan english edit yu chang - Mar 29 2022

web the practice of wudang tai chi chuan english edit 1 downloaded from donate pfi org on 2023 01 03 by guest the practice of wudang tai chi chuan english edit eventually

the practice of wudang tai chi chuan english edition by ian - Apr 29 2022

web jun 19 2023 free tai chi chuan about facebook qi gong modular practice integral tai chi change skill practical tai chi chuan melbourne australia yang style chen style and

the practice of wudang tai chi chuan english edit pdf bruce - May 31 2022

web jun 17 2023 energy qi and the body wu style tai chi chuan describes the origin and philosophy of tai chi chuan and then details its multiple health benefits step by step

the practice of wudang tai chi chuan hand form - Nov 05 2022

web the practice of wudang tai chi chuan published in 1997 deals with cheng lineage empty hand practice both solo and with a partner it includes hand form pushing hands

the practice of wudang tai chi chuan google books - Jul 13 2023

web aug 27 2019 the practice of wudang tai chi chuan ian cameron amazon digital services llc kdp print us aug 27 2019 304 pages this book presents lesson by

the practice of wudang tai chi chuan english edit uniport edu - Jan 27 2022

web chi chuan this tai chi guide is packed with step by step illustrations for practice at home and covers everything you

would want to know about this ancient art including its

the practice of wudang tai chi chuan english edit pdf - Dec 26 2021

web this the practice of wudang tai chi chuan english edit but stop going on in harmful downloads rather than enjoying a fine pdf following a mug of coffee in the afternoon

the practice of wudang tai chi chuan english edit pdf - Aug 14 2023

web aug 19 2023 the practice of wudang tai chi chuan ian cameron 2019 08 27 this book presents lesson by lesson and step by step the hand form pushing hands styles and

[the practice of wudang tai chi chuan open library](#) - Jun 12 2023

web jan 1 1997 practice of wudang tai chi chuan by malcolm pollock ian cameron 1997 01 01 golden horse classics edition *the practice of wudang tai chi chuan hand form pushing* - Sep 03 2022

web jan 1 1997 this book presents lesson by lesson and step by step the hand form pushing hands styles and some self defence applications of wudang tai chi chuan

the practice of wudang tai chi chuan english edit pdf yu - Jul 01 2022

web the practice of wudang tai chi chuan english edit pdf right here we have countless book the practice of wudang tai chi chuan english edit pdf and collections to

the practice of wudang tai chi chuan english edition by ian - Mar 09 2023

web tai chi wudang qigong practical taijiquan what to expect during class life of tai chi wu dang sword forms tai chi chuan wudang tai chi experience explore kung fu in

the practice of wudang tai chi chuan ebook amazon in - Dec 06 2022

web the practice of wudang tai chi chuan print replica kindle edition by ian cameron author malcolm pollock editor format kindle edition 4 5 4 5 out of 5 stars 27 ratings

the practice of wudang tai chi chuan ebook amazon com au - Oct 04 2022

web fantastic book full of wisdom and guidance to help develop your practice supported with beautiful photos of each of the steps in the square form this book oozes enthusiasm for

the practice of wudang tai chi chuan english edition by ian - Apr 10 2023

web wudang tai chi chuan co uk wudang tai chi chuan yang style chen style and wudang tai chi chuan the practice of wudang tai chi chuan hand form pushing copyright

evolution of animal diversity answer key uniport edu - Nov 25 2021

web jun 7 2023 animal evolution and diversity answer key when somebody should go to the book stores search instigation by shop shelf by shelf it is essentially problematic

[animal evolution and diversity answer key secure4 khronos](#) - Jan 28 2022

web to download and install the evolution of animal diversity answer key it is utterly simple then since currently we extend the belong to to purchase and make bargains to

evolution of animal diversity answer key pdf uniport edu - Jun 01 2022

web 1st 2018 read and download evolution of animal diversity answer key free ebooks in pdf format girl with a pearl earring tracy evolution of animal diversity answer key affiliates

[evolution of animal diversity answer key pdf pdf support ortax](#) - Apr 30 2022

web animal evolution natural sciences and mathematics 500 2009 08 13 animal life now and over the past half billion years is incredibly diverse describing and

[animal diversity quizzes questions answers proprofs](#) - Nov 06 2022

web animals from invertebrates to fishes while all terrestrial animals use internal fertilization aquatic animals have diverse reproductive systems some are internal fertilizers with or

chapter 32 an introduction to animal diversity - Apr 11 2023

web animal systematics continues to evolve systematists are now conducting large scale analyses of multiple genes across a wide range of animal phyla in an effort to gain a

evolutionofanimaldiversityanswerkey full pdf - Mar 30 2022

web jun 12 2023 animal evolution and diversity answer key is available in our novel assemblage an online access to it is set as public so you can get it instantaneously it is

evolution of animal diversity answer key caroline arnold pdf - Sep 04 2022

web may 27 2023 animal evolution and diversity answer key is available in our digital library an online access to it is set as public so you can download it instantly our books

animal evolution and diversity answer key copy uniport edu - Feb 26 2022

web apr 13 2023 evolve the origin of species the history of life systematics seeking order amid diversity the diversity of prokaryotes and viruses the diversity of

[animal evolution and diversity answer key copy uniport edu](#) - Sep 23 2021

27 e introduction to animal diversity exercises - Jul 14 2023

web dec 28 2021 however a small number of animal species representing each phylum were usually able to survive each extinction event allowing the phylum to continue to evolve

ch 24 4 animal evolution diversity behavior miller tpt - Dec 07 2022

web evolution of animal diversity answer key getting the books evolution of animal diversity answer key now is not type of challenging means you could not unaided

pdf evolution of animal diversity answer key - May 12 2023

web evolution of animal diversity answer key opportunities in biology aug 08 2020 biology has entered an era in which interdisciplinary cooperation is at an all time high

27 4 the evolutionary history of the animal kingdom - Aug 15 2023

web explain the significance of the cambrian period for animal evolution and the changes in animal diversity that took place during that time describe some of the unresolved

animal diversity and evolution ppt slideshare - Jan 08 2023

web mar 22 2023 the aphids get thinner the beauty of animal diversity a trivia quiz the beauty of animal diversity a trivia quiz butterflies brighten up our lives they are

evolution of animal diversity answer key pdf yvc moeys gov - Aug 03 2022

web may 9 2023 evolution of animal diversity answer key 1 13 downloaded from uniport edu ng on may 9 2023 by guest evolution of animal diversity answer key

animal evolution and diversity test your knowledge shmoop - Mar 10 2023

web possible answers what is an animal 1 the six kingdoms of life are archaea bacteria protista fungi plantae animalia 2 animals are b heterotrophic animals are

evolution of animal diversity answer key download only - Oct 05 2022

web merely said the evolution of animal diversity answer key is universally compatible similar to any devices to read ebook biology peter raven 2013 02 16 committed to

animal evolution and diversity answer key pdf uniport edu - Jul 02 2022

web title evolution of animal diversity answer key pdf pdf support ortax org created date 9 8 2023 5 27 52 am session 11 animal diversity key concepts - Jun 13 2023

web vertebrate animals that have a backbone invertebrates animals that do not have a backbone asymmetry body cannot be divided into 2 identical halves radial

darwin evolution natural selection article khan - Feb 09 2023

web 24 4 social interactions group behavior answer key includedthis guided reading and review worksheet allows students to go over the section they just learned and

evolution of animal diversity answer key uniport edu - Oct 25 2021

evolution of animal diversity answer key uniport edu - Dec 27 2021

web may 25 2023 evolution of animal diversity answer key 1 12 downloaded from uniport edu ng on may 25 2023 by guest evolution of animal diversity answer key

go math 3 student edition answers resources lumos learning - Oct 15 2023

web videocam create go math 3 student edition grade 3 workbook answers help online grade 3 title go math 3 student edition publisher houghton mifflin harcourt isbn 547352026

houghton mifflin harcourt go math grade 3 lumos - May 10 2023

web grade 3 isbn 9780547587851 use the table below to find videos mobile apps worksheets and lessons that supplement houghton mifflin harcourt go math grade 3 book

3rd grade math khan academy - Jun 30 2022

web 3rd grade math khan academy 3rd grade 14 units 141 skills unit 1 intro to multiplication unit 2 1 digit multiplication unit 3 addition subtraction and estimation unit 4 intro to division unit 5 understand fractions unit 6 equivalent fractions and comparing fractions unit 7 more with multiplication and division

hmh go math program k 6 math curriculum houghton mifflin - Aug 13 2023

web go math quasi experimental design qed study grades 3 4 and 5 report type efficacy study study conducted by third party grade level elementary

go math 3rd grade math cache county school district - Oct 03 2022

web go math kindergarten math 1st grade math 2nd grade math 3rd grade math 4th grade math 5th grade math 6th grade math 1st grād español 2nd grād español 3rd grād español 4th grād español 5th grād español 6th grād español go math 3rd grade dli 3rd grād español go math grade 3 chapter 1 1 1 1 2 1 3 1 4 1 5 1 6 1 7 1 8 1 9 1 10 1 11

go math 3rd grade lesson 1 3 estimate sums youtube - Apr 09 2023

web aug 25 2020 use place value understanding to round whole numbers to the nearest 10 or 100 use compatible numbers and rounding to estimate sums students write in their m

k6 thinkcentral com - Sep 14 2023

web we would like to show you a description here but the site won t allow us

go math grade 3 answer key pdf download go math answer key go - Mar 28 2022

web aug 15 2023 by using the hmh go math grade 3 answer key you can easily finish your assessment and can grab good knowledge about all math chapters get step by step explanation of the solution for each question from this grade 3 go math answer key and master in primary mathematics concepts

math for grade 3 math practice tests worksheets quizzes - Feb 24 2022

web grade 3 all topics grade 3 math practice questions tests teacher assignments teacher worksheets printable worksheets and other activities for singapore school math olympiad sat subject test math level 1 kangaroo sasmo and seamo

go math grade 3 vs argoprep grade 3 workbooks argoprep - Apr 28 2022

web grade 3 and argoprep both go math grade 3 and argoprep follow similar formats for skill practice broken up into units and lessons go math grade 3 units span over a few weeks the overview page explains the concepts of the unit and gives an example of how to solve the type of problem present in the lessons

go math grade 3 student edition pages 1 50 fliphtml5 - Jul 12 2023

web sep 15 2022 check pages 1 50 of go math grade 3 student edition in the flip pdf version go math grade 3 student edition was published by amanda cupelli on 2022 09 15 find more similar flip pdfs like go math grade 3 student edition download go math grade 3 student edition pdf for free

go math student edition set grade 3 houghton mifflin harcourt - Mar 08 2023

web student edition grade 3 is write in with embedded practice pages so students record their strategies explanations solutions practice and test prep right in their books all for one very affordable price includes two volumes

go math grade 3 go math hmh comprehensive programs - May 30 2022

web the store will not work correctly in the case when cookies are disabled

achievethecore.org go math k 5 guidance documents - Nov 04 2022

web k 5 guidance documents these documents provide guidance for implementing go math k 5 in ways that best align to college and career ready standards each document includes general guidance for teachers to support implementation of the program across all grades along with lightweight grade level specific guidance both across the year and for

go math 3rd grade lesson 1 4 mental math strategies for addition - Feb 07 2023

web aug 28 2020 fluently add and subtract within 1000 using strategies and algorithms based on place value properties of operations and or the relationship between additio

singapore math grade 3 online practice - Aug 01 2022

web the initial lessons in the singapore math 3rd grade are both a review and an extension of content covered in the prior grade that include mental addition of 1 digit number to a 2 digit number and counting by 2s 5s and 10s

go math for third grade worksheets teaching resources tpt - Sep 02 2022

web this go math 3rd grade year long bundle contains supplements for every chapter of 3rd grade go math these supplements can be used for extra practice small groups or rti altogether there are 450 pages in this bundle

go math 3rd grade lesson 1 1 number patterns youtube - Jun 11 2023

web aug 23 2020 identify arithmetic patterns including patterns in the addition table or multiplication table and explain

them using properties of operations identify an

3rd grade go math lesson 12 3 identify polygons pages 513 516 - Dec 05 2022

web mar 11 2021 this video covers lesson 12 3 identify polygons on pages 513 516 of the 3rd grade go math textbook

ixl skill plan 3rd grade plan for go math 2015 - Jan 06 2023

web skill plan for go math 2015 3rd grade ixl provides skill alignments with recommended ixl skills for each chapter find the ixl skills that are right for you below chapter