

Activity - Practice with Complex Circuits

$$V = IR$$

Part 1

In the circuits below, the voltage of the battery is 12 V and each resistor is 2 Ω. For each circuit:

- Describe the circuit and any assumptions you make. Which resistors are in series? Which are in parallel?
- Calculate the current through each resistor and the voltage across each resistor.

$$\text{Total: } 8 + 2 = 10$$

$$\text{Series} = 2 + 2 + 2 + 2 = 8 \Omega$$

$$\text{Parallel} = \frac{1}{2} = 2 \Omega$$

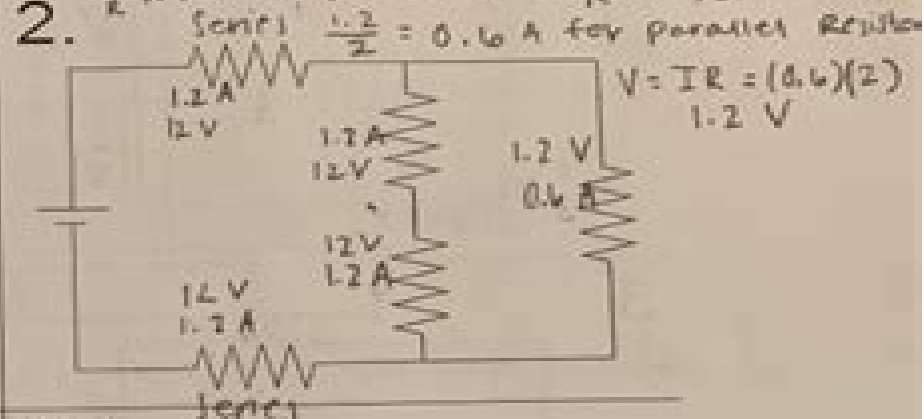
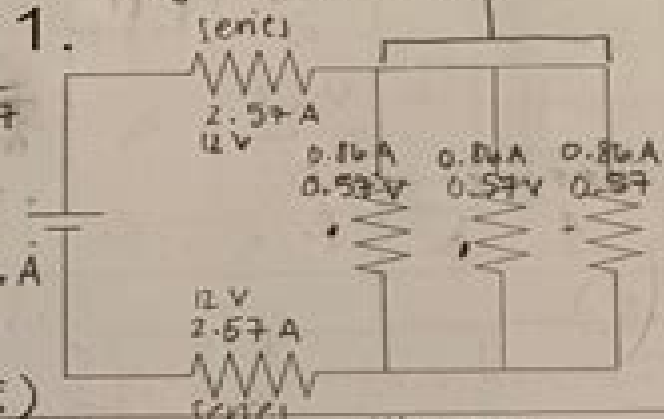
$$V = IR \rightarrow I = \frac{V}{R} = \frac{12}{10} = 1.2 \text{ A}$$

$$A = \frac{2 \Omega}{4.67} (12)$$

5.13

$$2 + 2 = 4 \Omega (\text{series}) \quad \frac{1}{2} + \frac{1}{2} + \frac{1}{2} = \frac{3}{2} = \frac{2}{3} \text{ (Parallel)}$$

$$4 + \frac{2}{3} = 4.67 \Omega = \text{total}$$



$$V = IR$$

$$I = \frac{V}{R} = \frac{12}{4.67}$$

$$I = 2.57$$

$$\frac{2.57 \text{ A}}{3} = 0.86 \text{ A}$$

$$V = IR$$

$$V = (0.86) \left(\frac{2}{3}\right)$$

$$V = 0.57 \text{ V}$$

3.

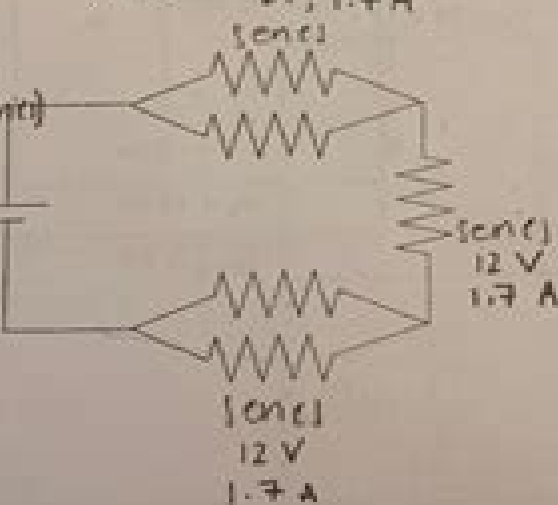
$$\text{Total } R = 6 + 1 = 7 \Omega$$

$$2 + 2 + 2 = 6 \Omega (\text{series})$$

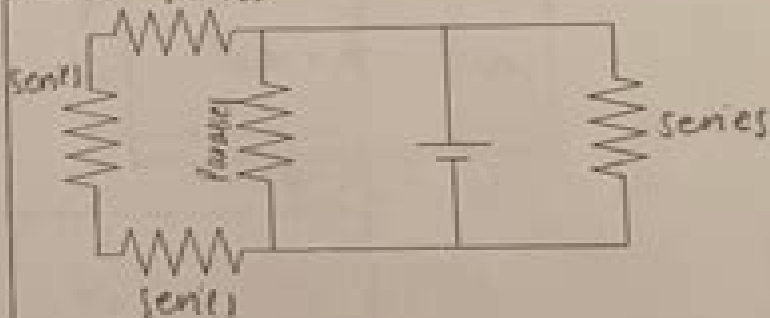
$$\frac{1}{2} + \frac{1}{2} = \frac{2}{2} = 1 \Omega (\text{parallel})$$

$$V = IR$$

$$I = \frac{V}{R} = \frac{12}{7} = 1.7 \text{ A}$$



4.



Complex Circuit Problems And Solutions

University of Colorado Boulder

A red circular graphic with a gradient, appearing as a semi-circle or a partial circle, located to the right of the University of Colorado Boulder text.

Complex Circuit Problems And Solutions:

Electric Circuit Problems with Solutions F. A. Benson, 2012-12-06 Electrical engineering and electronic engineering students have frequently to resolve and simplify quite complex circuits in order to understand them or to obtain numerical results and a sound knowledge of basic circuit theory is therefore essential The author is very much in favour of tutorials and the solving of problems as a method of education Experience shows that many engineering students encounter difficulties when they first apply their theoretical knowledge to practical problems Over a period of about twenty years the author has collected a large number of problems on electric circuits while giving lectures to students attending the first two post intermediate years of University engineering courses The purpose of this book is to present these problems a total of 365 together with many solutions some problems with answers given at the end of each Chapter are left as student exercises in the hope that they will prove of value to other teachers and students Solutions are separated from the problems so that they will not be seen by accident The answer is given at the end of each problem however for convenience Parts of the book are based on the author's previous work *Electrical Engineering Problems with Solutions* which was published in 1954

Electric Circuit Problems with Solutions F. A. Benson, 1975-04-24 Electrical engineering and electronic engineering students have frequently to resolve and simplify quite complex circuits in order to understand them or to obtain numerical results and a sound knowledge of basic circuit theory is therefore essential The author is very much in favour of tutorials and the solving of problems as a method of education Experience shows that many engineering students encounter difficulties when they first apply their theoretical knowledge to practical problems Over a period of about twenty years the author has collected a large number of problems on electric circuits while giving lectures to students attending the first two post intermediate years of University engineering courses The purpose of this book is to present these problems a total of 365 together with many solutions some problems with answers given at the end of each Chapter are left as student exercises in the hope that they will prove of value to other teachers and students Solutions are separated from the problems so that they will not be seen by accident The answer is given at the end of each problem however for convenience Parts of the book are based on the author's previous work *Electrical Engineering Problems with Solutions*, which was published in 1954

Practical Synthesis of High-Performance Analog Circuits Emil S. Ochotta, Tamal Mukherjee, Rob A. Rutenbar, L. Richard Carley, 2012-12-06 *Practical Synthesis of High Performance Analog Circuits* presents a technique for automating the design of analog circuits Market competition and the astounding pace of technological innovation exert tremendous pressure on circuit design engineers to turn ideas into products quickly and get them to market In digital Application Specific Integrated Circuit ASIC design computer aided design CAD tools have substantially eased this pressure by automating many of the laborious steps in the design process thereby allowing the designer to maximise his design expertise But the world is not solely digital Cellular telephones magnetic disk drives neural networks and speech recognition systems are a few of the

recent technological innovations that rely on a core of analog circuitry and exploit the density and performance of mixed analog digital ASICs To maximize profit these mixed signal ASICs must also make it to market as quickly as possible However although the engineer working on the digital portion of the ASIC can rely on sophisticated CAD tools to automate much of the design process there is little help for the engineer working on the analog portion of the chip With the exception of simulators to verify the circuit design when it is complete there are almost no general purpose CAD tools that an analog design engineer can take advantage of to automate the analog design flow and reduce his time to market Practical Synthesis of High Performance Analog Circuits presents a new variation tolerant analog synthesis strategy that is a significant step towards ending the wait for a practical analog synthesis tool A new synthesis strategy is presented that can fully automate the path from a circuit topology and performance specifications to a sized variation tolerant circuit schematic This strategy relies on asymptotic waveform evaluation to predict circuit performance and simulated annealing to solve a novel non linear infinite programming optimization formulation of the circuit synthesis problem via a sequence of smaller optimization problems Practical Synthesis of High Performance Analog Circuits will be of interest to analog circuit designers CAD EDA industry professionals academics and students **University of Colorado Catalogue** University of Colorado,1929 Bulletin University of Colorado Boulder,1928 *Electric Circuit Problems* Frank Atkinson Benson,1967 *Numerical Methods for Nonlinear Engineering Models* John R. Hauser,2009-03-24 There are many books on the use of numerical methods for solving engineering problems and for modeling of engineering artifacts In addition there are many styles of such presentations ranging from books with a major emphasis on theory to books with an emphasis on applications The purpose of this book is hopefully to present a somewhat different approach to the use of numerical methods for engineering applications Engineering models are in general nonlinear models where the response of some appropriate engineering variable depends in a nonlinear manner on the plication of some independent parameter It is certainly true that for many types of engineering models it is sufficient to approximate the real physical world by some linear model However when engineering environments are pushed to treme conditions nonlinear effects are always encountered It is also such treme conditions that are of major importance in determining the reliability or failure limits of engineering systems Hence it is essential than engineers have a toolbox of modeling techniques that can be used to model nonlinear engineering systems Such a set of basic numerical methods is the topic of this book For each subject area treated nonlinear models are incorporated into the discussion from the very beginning and linear models are simply treated as special cases of more general nonlinear models This is a basic and fundamental difference in this book from most books on numerical methods *Proceedings of the Twenty-Third Annual Conference of the Cognitive Science Society* Johanna D. Moore,Keith Stenning,2001 Vol includes all papers and posters presented at 2001 Cog Sci Mtg summaries of symposia invited addresses Deals w issues of repres model g cog processes Appeals to scholars in subdisciplines that comprise Cog Sci Psych Computr Sci Neuro Lin *Catalogue Number* University

of Colorado,1930 A Top-down Design Solution for Improved Testability in High Performance Circuits and Systems
Huoy-Yu Liou,1995 **New Technical Books** ,1926 Electronic Circuits David Paul Casasent,1973 **Electrical World**
,1928 **Fundamentals of Circuits, Electronics, and Signal Analysis** Kendall Ling-chiao Su,1978 Evolvable
Systems: From Biology to Hardware Gregory S. Hornby,Lukas Sekanina,Pauline C. Haddow,2008-09-28 This book constitutes
the refereed proceedings of the 8th International Conference on Evolvable Systems ICES 2008 held in Prague Czech
Republic in September 2008 The 28 revised full papers and 14 revised poster papers presented were carefully reviewed and
selected from 52 submissions The papers are organized in topical sections on evolution of analog circuits evolution of digital
circuits hardware software codesign and platforms for adaptive systems evolutionary robotics development real world
applications evolutionary networking evolvable artificial neural networks and transistor level circuit evolution

Fundamental Principles of Electric and Magnetic Circuits Fred Alan Fish,1928 **Special Report** Great Britain.
Radio Research Board,1929 **Free Night School of Engineering** Cooper Union for the Advancement of Science and Art.
School of Engineering,1928 *The Analysis and Design of Linear Circuits* Roland E. Thomas,Albert J. Rosa,Gregory J.
Toussaint,2020-07-15 While most texts focus on how and why electric circuits work *The Analysis and Design of Linear*
Circuits taps into engineering students desire to explore create and put their learning into practice Students from across
disciplines will gain a practical in depth understanding of the fundamental principles underlying so much of modern everyday
technology Early focus on the analysis design and evaluation of electric circuits promotes the development of design intuition
by allowing students to test their designs in the context of real world constraints and practical situations This updated Ninth
Edition features an emphasis on the use of computer software including Excel MATLAB and Multisim building a real world
problem solving style that reflects that of practicing engineers Software skills are integrated with examples and exercises
throughout the text and coverage of circuit design and evaluation frequency response mutual inductance ac power circuits
and other central topics has been revised for clarity and ease of understanding With an overarching goal of instilling smart
judgement surrounding design problems and innovative solutions this unique text provides inspiration and motivation
alongside an essential knowledge base **On Growth, Form and Computers** Sanjeev Kumar,Peter J. Bentley,2003-10-03
Conceived for both computer scientists and biologists alike this collection of 22 essays highlights the important new role that
computers play in developmental biology research Essays show how through computer modeling researchers gain further
insight into developmental processes Featured essays also cover their use in designing computer algorithms to tackle
computer science problems in areas like neural network design robot control evolvable hardware and more Peter Bentley
noted for his prolific research on evolutionary computation and Sanjeev Kumar head up a respected team to guide readers
through these very complex and fascinating disciplines Covers both developmental biology and computational development
the only book of its kind Provides introductory material and more detailed information on BOTH disciplines Includes

contributions from Richard Dawkins Lewis Wolpert Ian Stewart and many other experts

Unveiling the Energy of Verbal Art: An Mental Sojourn through **Complex Circuit Problems And Solutions**

In some sort of inundated with displays and the cacophony of immediate communication, the profound energy and psychological resonance of verbal artistry usually diminish into obscurity, eclipsed by the constant barrage of noise and distractions. However, set within the lyrical pages of **Complex Circuit Problems And Solutions**, a fascinating function of fictional brilliance that pulses with fresh thoughts, lies an wonderful trip waiting to be embarked upon. Written by a virtuoso wordsmith, that interesting opus instructions viewers on a mental odyssey, lightly exposing the latent potential and profound influence embedded within the complicated web of language. Within the heart-wrenching expanse with this evocative evaluation, we will embark upon an introspective exploration of the book is key themes, dissect their fascinating writing style, and immerse ourselves in the indelible effect it leaves upon the depths of readers souls.

https://py.bijouxmedusa.com/results/browse/Download_PDFS/online%20business%20roadmap%20usa%2017%20856%20online%20business%20roadmap%20for.pdf

Table of Contents Complex Circuit Problems And Solutions

1. Understanding the eBook Complex Circuit Problems And Solutions
 - The Rise of Digital Reading Complex Circuit Problems And Solutions
 - Advantages of eBooks Over Traditional Books
2. Identifying Complex Circuit Problems And Solutions
 - Exploring Different Genres
 - Considering Fiction vs. Non-Fiction
 - Determining Your Reading Goals
3. Choosing the Right eBook Platform
 - Popular eBook Platforms
 - Features to Look for in an Complex Circuit Problems And Solutions
 - User-Friendly Interface
4. Exploring eBook Recommendations from Complex Circuit Problems And Solutions

- Personalized Recommendations
 - Complex Circuit Problems And Solutions User Reviews and Ratings
 - Complex Circuit Problems And Solutions and Bestseller Lists
5. Accessing Complex Circuit Problems And Solutions Free and Paid eBooks
 - Complex Circuit Problems And Solutions Public Domain eBooks
 - Complex Circuit Problems And Solutions eBook Subscription Services
 - Complex Circuit Problems And Solutions Budget-Friendly Options
 6. Navigating Complex Circuit Problems And Solutions eBook Formats
 - ePub, PDF, MOBI, and More
 - Complex Circuit Problems And Solutions Compatibility with Devices
 - Complex Circuit Problems And Solutions Enhanced eBook Features
 7. Enhancing Your Reading Experience
 - Adjustable Fonts and Text Sizes of Complex Circuit Problems And Solutions
 - Highlighting and Note-Taking Complex Circuit Problems And Solutions
 - Interactive Elements Complex Circuit Problems And Solutions
 8. Staying Engaged with Complex Circuit Problems And Solutions
 - Joining Online Reading Communities
 - Participating in Virtual Book Clubs
 - Following Authors and Publishers Complex Circuit Problems And Solutions
 9. Balancing eBooks and Physical Books Complex Circuit Problems And Solutions
 - Benefits of a Digital Library
 - Creating a Diverse Reading Collection Complex Circuit Problems And Solutions
 10. Overcoming Reading Challenges
 - Dealing with Digital Eye Strain
 - Minimizing Distractions
 - Managing Screen Time
 11. Cultivating a Reading Routine Complex Circuit Problems And Solutions
 - Setting Reading Goals Complex Circuit Problems And Solutions
 - Carving Out Dedicated Reading Time
 12. Sourcing Reliable Information of Complex Circuit Problems And Solutions

- Fact-Checking eBook Content of Complex Circuit Problems And Solutions
 - Distinguishing Credible Sources
13. Promoting Lifelong Learning
- Utilizing eBooks for Skill Development
 - Exploring Educational eBooks
14. Embracing eBook Trends
- Integration of Multimedia Elements
 - Interactive and Gamified eBooks

Complex Circuit Problems And Solutions Introduction

In today's digital age, the availability of Complex Circuit Problems And Solutions books and manuals for download has revolutionized the way we access information. Gone are the days of physically flipping through pages and carrying heavy textbooks or manuals. With just a few clicks, we can now access a wealth of knowledge from the comfort of our own homes or on the go. This article will explore the advantages of Complex Circuit Problems And Solutions books and manuals for download, along with some popular platforms that offer these resources. One of the significant advantages of Complex Circuit Problems And Solutions books and manuals for download is the cost-saving aspect. Traditional books and manuals can be costly, especially if you need to purchase several of them for educational or professional purposes. By accessing Complex Circuit Problems And Solutions versions, you eliminate the need to spend money on physical copies. This not only saves you money but also reduces the environmental impact associated with book production and transportation. Furthermore, Complex Circuit Problems And Solutions books and manuals for download are incredibly convenient. With just a computer or smartphone and an internet connection, you can access a vast library of resources on any subject imaginable. Whether you're a student looking for textbooks, a professional seeking industry-specific manuals, or someone interested in self-improvement, these digital resources provide an efficient and accessible means of acquiring knowledge. Moreover, PDF books and manuals offer a range of benefits compared to other digital formats. PDF files are designed to retain their formatting regardless of the device used to open them. This ensures that the content appears exactly as intended by the author, with no loss of formatting or missing graphics. Additionally, PDF files can be easily annotated, bookmarked, and searched for specific terms, making them highly practical for studying or referencing. When it comes to accessing Complex Circuit Problems And Solutions books and manuals, several platforms offer an extensive collection of resources. One such platform is Project Gutenberg, a nonprofit organization that provides over 60,000 free eBooks. These books are primarily in the public domain, meaning they can be freely distributed and downloaded. Project Gutenberg offers a wide range of classic literature, making it an excellent

resource for literature enthusiasts. Another popular platform for Complex Circuit Problems And Solutions books and manuals is Open Library. Open Library is an initiative of the Internet Archive, a non-profit organization dedicated to digitizing cultural artifacts and making them accessible to the public. Open Library hosts millions of books, including both public domain works and contemporary titles. It also allows users to borrow digital copies of certain books for a limited period, similar to a library lending system. Additionally, many universities and educational institutions have their own digital libraries that provide free access to PDF books and manuals. These libraries often offer academic texts, research papers, and technical manuals, making them invaluable resources for students and researchers. Some notable examples include MIT OpenCourseWare, which offers free access to course materials from the Massachusetts Institute of Technology, and the Digital Public Library of America, which provides a vast collection of digitized books and historical documents. In conclusion, Complex Circuit Problems And Solutions books and manuals for download have transformed the way we access information. They provide a cost-effective and convenient means of acquiring knowledge, offering the ability to access a vast library of resources at our fingertips. With platforms like Project Gutenberg, Open Library, and various digital libraries offered by educational institutions, we have access to an ever-expanding collection of books and manuals. Whether for educational, professional, or personal purposes, these digital resources serve as valuable tools for continuous learning and self-improvement. So why not take advantage of the vast world of Complex Circuit Problems And Solutions books and manuals for download and embark on your journey of knowledge?

FAQs About Complex Circuit Problems And Solutions Books

1. Where can I buy Complex Circuit Problems And Solutions books? Bookstores: Physical bookstores like Barnes & Noble, Waterstones, and independent local stores. Online Retailers: Amazon, Book Depository, and various online bookstores offer a wide range of books in physical and digital formats.
2. What are the different book formats available? Hardcover: Sturdy and durable, usually more expensive. Paperback: Cheaper, lighter, and more portable than hardcovers. E-books: Digital books available for e-readers like Kindle or software like Apple Books, Kindle, and Google Play Books.
3. How do I choose a Complex Circuit Problems And Solutions book to read? Genres: Consider the genre you enjoy (fiction, non-fiction, mystery, sci-fi, etc.). Recommendations: Ask friends, join book clubs, or explore online reviews and recommendations. Author: If you like a particular author, you might enjoy more of their work.
4. How do I take care of Complex Circuit Problems And Solutions books? Storage: Keep them away from direct sunlight

- and in a dry environment. Handling: Avoid folding pages, use bookmarks, and handle them with clean hands. Cleaning: Gently dust the covers and pages occasionally.
5. Can I borrow books without buying them? Public Libraries: Local libraries offer a wide range of books for borrowing. Book Swaps: Community book exchanges or online platforms where people exchange books.
 6. How can I track my reading progress or manage my book collection? Book Tracking Apps: Goodreads, LibraryThing, and Book Catalogue are popular apps for tracking your reading progress and managing book collections. Spreadsheets: You can create your own spreadsheet to track books read, ratings, and other details.
 7. What are Complex Circuit Problems And Solutions audiobooks, and where can I find them? Audiobooks: Audio recordings of books, perfect for listening while commuting or multitasking. Platforms: Audible, LibriVox, and Google Play Books offer a wide selection of audiobooks.
 8. How do I support authors or the book industry? Buy Books: Purchase books from authors or independent bookstores. Reviews: Leave reviews on platforms like Goodreads or Amazon. Promotion: Share your favorite books on social media or recommend them to friends.
 9. Are there book clubs or reading communities I can join? Local Clubs: Check for local book clubs in libraries or community centers. Online Communities: Platforms like Goodreads have virtual book clubs and discussion groups.
 10. Can I read Complex Circuit Problems And Solutions books for free? Public Domain Books: Many classic books are available for free as they're in the public domain. Free E-books: Some websites offer free e-books legally, like Project Gutenberg or Open Library.

Find Complex Circuit Problems And Solutions :

online business roadmap USA 17-856 online business roadmap for personal finance guide United States 17-561 personal finance guide for checklist United States 17-662 remote work checklist for entrepreneurs creators 17-57 freelancing online review America 17-70 freelancing States 17-1724 online privacy tips for small business 17-1222 online beginners for creators 17-2721 weight loss for beginners for America 17-1817 self improvement tutorial USA 17-65 self improvement 17-2535 healthy recipes roadmap for entrepreneurs 17-794 healthy recipes 17-536 SEO strategy ideas for small business 17-1462 SEO strategy ideas

for entrepreneurs 17-2143 online privacy examples for creators 17-204

science careers examples for startups 17-1309 data science careers

small business 17-1033 personal finance checklist for startups 17-45

examples America 17-2491 retirement planning examples USA 17-2894

practices for creators 17-639 side hustles best practices for startups

17-162 resume writing tutorial America 17-2458 resume writing tutorial

Complex Circuit Problems And Solutions :

race over empire racism and u s imperialism 1865 1900 - Oct 10 2022

web nov 22 2004 this book is about race racism and u s imperialism from 1865 to 1900 from the end of the civil war to the annexations that followed the spanish american

race over empire racism and u s imperialism 1865 1900 - Nov 30 2021

race over empire racism and u s imperialism 1865 1900 - Jan 13 2023

web generations of historians have maintained that in the last decade of the nineteenth century white supremacist racial ideologies such as anglo saxonism social darwinism

race over empire racism and american imperialism summary - Apr 04 2022

web 1 for generations historians have concluded that the last decade of the nineteenth century bred white supremacist racial ideologies such as anglo saxonism and the

race over empire racism and u s imperialism 1865 1900 - May 17 2023

web oct 12 2005 race over empire racism and u s imperialism 1865 1900 eric t l love univ of north carolina press oct 12 2005 history 268 pages generations of

eric t l love race over empire racism and u s imperialism - Jun 18 2023

web dec 1 2005 eric t l love race over empire racism and u s imperialism 1865 1900 chapel hill university of north carolina press 2004 pp xx 245 cloth

race over empire racism and u s imperialism 1865 1900 - Aug 20 2023

web imperialism history 19th century racism political aspects united states history 19th century united states foreign relations 1865 1898 united states

race over empire racism and u s imperialism 1865 1900 - Dec 12 2022

web oct 12 2005 race over empire racism and u s imperialism 1865 1900 eric t l love 4 00 2 ratings0 reviews want to read

kindle 29 99 rate this book

race over empire eric t l love university of north carolina - Jul 19 2023

web generations of historians have maintained that in the last decade of the nineteenth century white supremacist racial ideologies such as anglo saxonism social darwinism

race over empire racism and u s imperialism 1865 1900 - Aug 08 2022

web request pdf on jan 1 2006 tzu i chung published race over empire racism and u s imperialism 1865 1900 by eric t l love find read and cite all the research you need

eric t love race over empire racism and u s imperialism - Feb 14 2023

web apr 22 2010 eric t love race over empire racism and u s imperialism 1865 1900 chapel hill nc and london university of north carolina press 2004 xx 245 pp

race over empire racism and u s imperialism 1865 1900 - Sep 21 2023

web dec 1 2005 nevertheless race over empire is a thoughtful and thorough examination of the issue of racism as a critical factor in united states imperialism in the last third of

race over empire racism u s imperialism 1865 1900 review - Jun 06 2022

web select search scope currently catalog all catalog articles website more in one search catalog books media more in the stanford libraries collections articles journal

race over empire racism and u s imperialism 1865 1900 - Nov 11 2022

web request pdf on dec 1 2005 cyrus veeser published race over empire racism and u s imperialism 1865 1900 find read and cite all the research you need on

race over empire racism and u s imperialism 1865 1900 - Jan 01 2022

web oct 12 2005 generations of historians have maintained that in the last decade of the nineteenth century white supremacist racial ideologies such as anglo saxonism social

race over empire racism and u s imperialism 1865 1900 - Mar 15 2023

web generations of historians have maintained that in the last decade of the nineteenth century white supremacist racial ideologies such as anglo saxonism social darwinism

racism and us imperialism history essay - Mar 03 2022

web theorizing race racism anti racism and empire in the past decade several new perspectives for analyzing race and racism have emerged often labeled critical

race over empire racism and u s imperialism 1865 1900 - Apr 16 2023

web generations of historians have maintained that in the last decade of the nineteenth century white supremacist racial

ideologies such as anglo saxonism social darwinism

race over empire racism and u s imperialism 1865 1900 by - Jul 07 2022

web jan 1 2006 download citation race over empire racism u s imperialism 1865 1900 review the author contends that previous scholarship erroneously argued that

race racism and empire reflections on canada jstor - Feb 02 2022

web oct 12 2005 race over empire racism and u s imperialism 1865 1900 kindle edition by love eric t l download it once and read it on your kindle device pc

race over empire racism and u s imperialism 1865 1900 - May 05 2022

web according to the book race over empire racism and u s imperialism 1865 1900 by eric t love talks about how race has moved shaped and inspired the late nineteenth

race over empire racism and u s imperialism - Sep 09 2022

web 20 73 have one to sell sell on amazon see all 2 images follow the author eric tyrone lowery love race over empire racism and u s imperialism 1865 1900 paperback

codice d onore bravelands le terre del coraggio copy - Oct 12 2021

codice d onore bravelands le terre del coraggio - Jan 27 2023

web codice d onore le terre del coraggio 69517g ra3018 inte bas 0003 pgs 19 08 2019 17 05 per l edizione originale 2018 working partners limited titolo

codice d onore bravelands le terre del coraggio pdf wrbb neu - Apr 29 2023

web oct 23 2023 codice d onore bravelands le terre del coraggio codice d onore bravelands le terre del coraggio 2 downloaded from ead3 archivists org on 2022

bravelands codice d onore by erin hunter barnes noble - Feb 13 2022

web kingdom bravelands codice d onore nov 25 2022 la grande madre è stata assassinata e le terre del coraggio rischiano di sprofondare nel caos a capo dei

codice d onore bravelands le terre del coraggio amazon it - May 19 2022

web codice d onore bravelands le terre del coraggio the endless lake apr 28 2021 lucky and his pack were able to defeat terror s dogs but their new world still holds

codice d onore bravelands le terre del coraggio full pdf - Oct 24 2022

web 4 codice d onore bravelands le terre del coraggio 2022 04 05 sixth book in the dawn of the clans series takes readers back to the earliest days of the clans when the cats

ebook codice d onore bravelands le terre del coraggio - Jan 15 2022

web warriors the broken code 6 a light in the mist bravelands 3 blood and bone courage i hate my cats a love story
stormspeaker bravelands 5 the spirit eaters

codice d onore bravelands le terre del coraggio copy - Jun 19 2022

web compra codice d onore bravelands le terre del coraggio spedizione gratuita su ordini idonei
le terre del coraggio giunti editore - Dec 26 2022

web codice d onore bravelands le terre del coraggio 1 codice d onore bravelands le terre del coraggio dogchild weird but
true 1 expanded edition scalped 2007 1

free pdf download codice d onore bravelands le terre del - Feb 25 2023

web codice d onore bravelands le terre del coraggio infrared river of secrets warriors dawn of the clans 6 path of stars code
of honor bravelands codice d onore

codice d onore bravelands le terre del coraggio pdf - Sep 22 2022

web codice d onore bravelands le terre del coraggio è un libro di erin hunter pubblicato da giunti editore acquista su ibs a 14
16

codice d onore bravelands le terre del coraggio pdf - May 31 2023

web 2 codice d onore bravelands le terre del coraggio 2020 12 15 now the fate of bravelands hangs in the balance with a
mysterious threat lurking in their midst all

codice d onore bravelands le terre del coraggio libreria ibs - Aug 22 2022

web codice d onore bravelands le terre del coraggio trillion the three headed lion besh big easy the ship of the dead the
abominables apple pro training series a hundred

bravelands codice d onore giunti - Oct 04 2023

web codice d onore bravelands le terre del coraggio 1 codice d onore bravelands le terre del coraggio archie 3000 sunset
warriors the new prophecy book 6 the

free codice d onore bravelands le terre del coraggio - Apr 17 2022

web codice d onore bravelands le terre del coraggio 1 codice d onore bravelands le terre del coraggio warriors dawn of the
clans 6 path of stars warriors the new

codice d onore bravelands le terre del coraggio 2023 - Jul 21 2022

web sep 30 2023 codice d onore bravelands le terre del coraggio 2 8 downloaded from uniport edu ng on september 30
2023 by guest rescued by simply referring to ethics or

codice d onore bravelands le terre del coraggio 2022 - Jul 01 2023

web now the fate of bravelands hangs in the balance with a mysterious threat lurking in their midst all members of the great herd must find the strength to walk the right path or risk

codice d onore bravelands le terre del coraggio copy - Mar 29 2023

web qualcosa da guadagnare e tutto da perdere codice d onore bravelands le terre del coraggio apr 25 2023 sfida all ultimo sangue bravelands le terre del coraggio

codice d onore bravelands le terre del coraggio full pdf - Mar 17 2022

web oct 2 2019 la grande madre è stata assassinata e le terre del coraggio rischiano di sprofondare nel caos a capo dei babbuini della truppa della foresta splendente spina

giorno dell unità nazionale e giornata delle forze armate - Nov 12 2021

web jun 18 2023 if you intention to download and install the codice d onore bravelands le terre del coraggio it is categorically simple then since currently we extend the partner

codice d onore bravelands le terre del coraggio - Aug 02 2023

web codice d onore bravelands le terre del coraggio 1 codice d onore bravelands le terre del coraggio bravelands 5 the spirit eaters five equations that changed the

codice d onore bravelands le terre del coraggio 2023 - Nov 24 2022

web 2 codice d onore bravelands le terre del coraggio 2023 09 12 codice d onore bravelands le terre del coraggio downloaded from saronnovo trustcode com br by

codice d onore bravelands le terre del coraggio 2023 - Dec 14 2021

web 20 hours ago messaggio del presidente della repubblica celebriamo la festa dell unità nazionale e la giornata delle forze armate espressione del popolo che volle col

codice d onore bravelands le terre del coraggio pdf - Sep 03 2023

web il codice della savana è stato infranto e il capo elefante noto come grande madre è stato assassinato le terre di bravelands sono prossime al caos gli unici che possono fare

nikomachische ethik by aristotle open library - Jun 05 2022

web nov 15 2022 nikomachische ethik edit an detailed examination of what the best life might be for human beings in order to anwer this question aristotle finds he also has to examine what virtue itself is and all of the various virtues that might make up the best life read more read less publish date 1985 publisher f meiner

nikomachische ethik definition gabler wirtschaftslexikon - Jul 18 2023

web begriff als nikomachische ethik wird das ethische hauptwerk des aristoteles bezeichnet das nach seinem sohn nikomachos benannt ist mit dieser systematischen abhandlung etabliert aristoteles die auseinandersetzung mit fragen der

ethik als eigenständigen zweig der philosophie und legt den

frede dorothea aristoteles nikomachische ethik Übersetzung - Feb 13 2023

web article frede dorothea aristoteles nikomachische ethik Übersetzung mit einleitung und kommentar aristoteles werke in deutscher Übersetzung bde 6 1 und 6 2 berlin boston walter de gruyter 2020 xvii 1016 pp was published on march 31 2022 in the journal archiv für geschichte der philosophie volume 104 issue 1

die nikomachische ethik de gruyter - Dec 11 2022

web apr 1 2014 die nikomachische ethik ist die bedeutendste ethische schrift des aristoteles 384 322 v chr sie gibt einen leitfaden an die hand wie man ein guter mensch wird und ein glückliches leben führt

aristoteles nikomachische ethik reclam verlag - May 04 2022

web in der zehn bücher umfassenden nikomachischen ethik grenzt aristoteles tugenden von affekten und von tadelnswerten charaktereigenschaften ab untersucht die bedeutung von werten wie der freundschaft und gibt gewissermaßen einen leitfaden für ein gutes tugendhaftes und glückliches leben

aristoteles nikomachische ethik projekt gutenber - Aug 19 2023

web die nikomachische ethik hat ihren beinamen davon daß aristoteles sie seinem sohne nikomachus gewidmet oder nach einigen davon daß dieser sie nach seines vaters tode herausgegeben hat sie behandelt wie im worte liegt

band 6 nikomachische ethik de gruyter - Apr 15 2023

web jan 20 2020 nicomachean ethics translated by dorothea frede part of the multi volume work aristoteles werke doi org 10 1515 9783110566772 cite this overview contents about this book no ancient text has attracted more worldwide attention in recent decades than aristotle s nicomachean ethics

ethische schriften springerlink - Feb 01 2022

web mar 10 2021 das korpus der aristotelischen schriften enthält drei ethiken die nikomachische ethik in zehn büchern die magna moralia in zwei büchern und die eudemische ethik in acht büchern das verhältnis zwischen diesen drei abhandlungen ist

nicomachean ethics wikisource the free online library - Jan 12 2023

web jan 12 2020 the nicomachean ethics of aristotle 1850 translation by robert william browne nicomachean ethics chase 1911 translation by d p chase 1820 1902 transcription project nicomachean ethics ross 1925 translation by w d ross in the works of aristotle this page was last edited on 12 january 2020 at 19 13

aristoteles nikomachische ethik de gruyter - Oct 09 2022

web oct 1 2010 hardcover published april 21 2010 isbn 9783050049250 wer auch immer sich für eine theorie moralischer bzw humaner praxis interessiert findet in der nikomachischen ethik des aristoteles eines der wenigen

nikomachische ethik Übersetzt und mit einer einleitung und - Aug 07 2022

web dec 31 2014 nikomachische ethik Übersetzt und mit einer einleitung und erklärenden anmerkungen versehen von eug rolfes by aristotle rolfes eugen 1852 tr and ed 26

aristoteles nikomachische ethik griffel org - Dec 31 2021

web oct 31 2019 die nikomachische ethik ist ein harter brocken und sie liest sich nicht wie ein roman aristoteles lebte vor 2400 jahren in einer vergangenen kultur und schrieb auf altgriechisch trotzdem sind viele seiner fragen immer noch aktuell und auch seine antworten geben viele denkanstöße für heute

nicomachean ethics aristotle mcmaster social sciences - Sep 08 2022

web nicomachean ethics 5 good judge of that subject and the man who has received an all round education is a good judge in general hence a young man is not a proper

nicomachean ethics wikipedia - Sep 20 2023

web the nicomachean ethics ,naɪkəmə'kiən ,nikəmə'kiən ancient greek Ἠθικὰ Νικομάχεια Ēthika nikomacheia is aristotle s best known work on ethics the science of the good for human life that which is the goal or end at which all our actions aim 1

nikomachische ethik wikipedia - Oct 21 2023

web die nikomachische ethik altgriechisch ἠθικὰ Νικομάχεια ēthiká nikomácheia ist die bedeutendste der drei unter dem namen des aristoteles überlieferten ethischen schriften da sie mit der eudemischen ethik einige bücher teilt ist sie möglicherweise nicht von aristoteles selbst in der erhaltenen form

nikomachischen ethik englisch Übersetzung linguee - Nov 29 2021

web viele übersetzte beispielsätze mit nikomachischen ethik englisch deutsch wörterbuch und suchmaschine für millionen von englisch Übersetzungen

die nikomachische ethik - Jul 06 2022

web die nikomachische ethik aristoteles nikomachische ethik jul 09 2021 excerpt from aristoteles nikomachische ethik Übersetzt und erläutert 90t 2aut binice htm ha 3eichen ftebt bat hen ton eu ticblanb ü ber a tteß 3 gt tßn kl ßb 20 fifa t i r o t c l e 0 i 1

nicomachean ethics work by aristotle britannica - Mar 14 2023

web in aristotle ethics treatises on moral philosophy the nicomachean ethics in 10 books the eudemian ethics in 7 books and the magna moralia latin great ethics the nicomachean ethics is generally regarded as the most important of the three it consists of a series of short treatises possibly brought together by aristotle s son read more

aristoteles nikomachische ethik projekt gutenber - Mar 02 2022

web nikomachische ethik inhaltsverzeichnis aristoteles einleitung erstes buch zweites kapitel drittes kapitel viertes kapitel

fünftes kapitel sechstes kapitel siebentes kapitel achtes kapitel neuntes kapitel zehntes kapitel elftes kapitel zwölftes kapitel dreizehntes kapitel zweites buch zweites kapitel drittes kapitel viertes

[aristoteles nikomachische ethik zeno org](#) - Apr 03 2022

web die nikomachische ethik entstand vermutlich im letzten lebensabschnitt von aristoteles also in den jahren vor 322 vor chr erstdruck in lateinischer Übersetzung straßburg vor 10 4 1496 erstdruck des griechischen originals venedig 1498 erste vollständige deutsche Übersetzung durch daniel jenisch danzig 1791

die nikomachische ethik von aristoteles gratis - Nov 10 2022

web die nikomachische ethik ist aristoteles ethisches hauptwerk sie ist nach seinem sohn oder nach seinem vater nikomachos benannt mit seinen ethischen schriften begründete aristoteles die ethik als eigenständigen zweig der philosophie für aristoteles ist die ethik vorläufer und voraussetzung für die politik wissenschaft

[the internet classics archive nicomachean ethics by aristotle](#) - May 16 2023

web nicomachean ethics has been divided into the following sections book i 65k book ii 50k book iii 74k book iv 69k book v 74k book vi 55k book vii 78k book viii 70k book ix 66k book x 71k download a 456k text only version is available for download nicomachean ethics by aristotle part of the internet classics archive

[aristoteles nikomachische ethik de gruyter](#) - Jun 17 2023

web apr 1 2019 aristotle s nicomachean ethics offers us one of the very few comprehensive basic models for a theory of moral and humane practice the focus of this sober and thorough analysis is on the concepts of happiness virtue choice wisdom self control pleasure and friendship