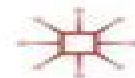
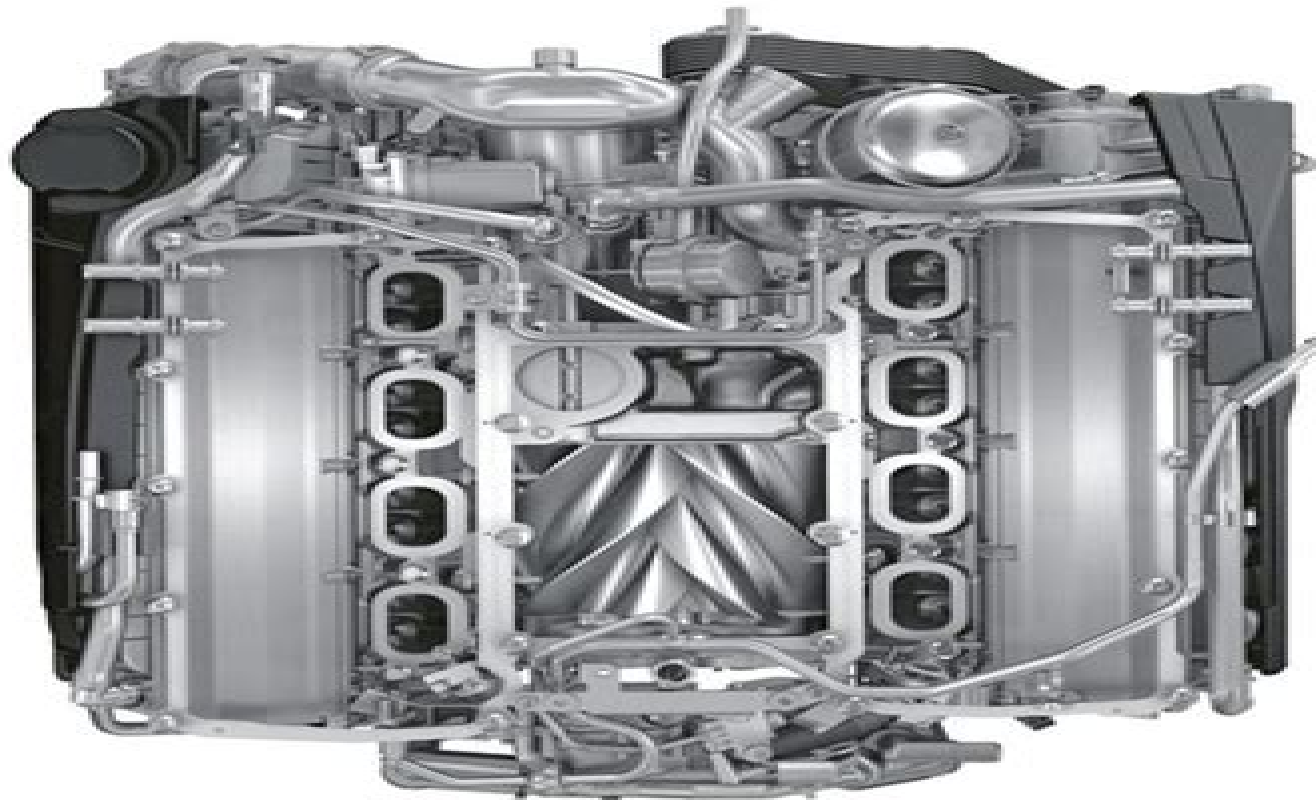


INTRODUCTION TO INTERNAL COMBUSTION ENGINES

RICHARD STONE

4th Edition



Introduction To Internal Combustion Engine Richard Stone

K. Soman



Introduction To Internal Combustion Engine Richard Stone:

Introduction to Internal Combustion Engines Richard Stone, 2017-09-16 Now in its fourth edition this textbook remains the indispensable text to guide readers through automotive or mechanical engineering both at university and beyond Thoroughly updated clear comprehensive and well illustrated with a wealth of worked examples and problems its combination of theory and applied practice aids in the understanding of internal combustion engines from thermodynamics and combustion to fluid mechanics and materials science This textbook is aimed at third year undergraduate or postgraduate students on mechanical or automotive engineering degrees New to this Edition Fully updated for changes in technology in this fast moving area New material on direct injection spark engines supercharging and renewable fuels Solutions manual online for lecturers

The Early Years, 4-Stroke Engines Make Their Debut Jay Meldrum, 2016-12-22 This collection is a resource for studying the history of the evolving technologies that have contributed to snowmobiles becoming cleaner and quieter machines Papers address design for a snowmobile using E10 gasoline 10% ethanol mixed with pump gasoline Performance technologies that are presented include Engine Design application of the four stroke engine Applications to address both engine and track noise Exhaust After treatment to reduce emissions The SAE International Clean Snowmobile Challenge CSC program is an engineering design competition The program provides undergraduate and graduate students the opportunity to enhance their engineering design and project management skills by reengineering a snowmobile to reduce emissions and noise The competition includes internal combustion engine categories that address both gasoline and diesel as well as the zero emissions category in which range and draw bar performance are measured The goal of the competition is designing a cleaner and quieter snowmobile The competitors modified snowmobiles are also expected to be cost effective and comfortable for the operator to drive

Thermal Engineering K. Soman, 2010-11 Primarily intended as a text for undergraduate students of mechanical engineering this book presents a clear and concise exposition on the principles and applications of thermal engineering Divided into 10 chapters the book provides a comprehensive coverage on the fundamentals of thermodynamics and heat transfer laboratory testing procedures for internal combustion engines IC engines working of gas turbines refrigerators and air conditioning systems Each topic is treated in detail giving necessary empirical formulas to solve the practical engineering problems The derivations such as efficiencies of energy conversion testing of IC engines and air compressors estimating combustion parameters and enthalpy and entropy calculations are provided to add an analytical approach to the subject Key Features Saturated with self explanatory diagrams Provides unsolved problems to check students comprehension of the subject Incorporated with Appendices comprising Steam Tables Gas Tables and Standard pressure charts

Introduction to Internal Combustion Engines R. Stone, 1987 **Fuel Cell Technology Handbook** Gregor Hoogers, 2002-09-27 Fuel cell systems have now reached a degree of technological maturity and appear destined to form the cornerstone of future energy technologies But the rapid advances in fuel cell system development have

left current information available only in scattered journals and Internet sites The even faster race toward fuel cell commercialization further

F2- Future Fuel Chandan Kumar Bhatt,2023-11-10 In present word of industrialization with so many industries and millions of automobiles running on ic engines with their ever increasing numbers all running on petroleum based products are facing a major threat of extinction of these petroleum reservoirs Internal Combustion Engine ICE or IC Engine An internal combustion engine sometimes referred to as an ICE or IC engine is a kind of heat engine in which fuel is burnt with the aid of an oxidant usually air in a combustion chamber that is an essential part of the working fluid flow circuit The expansion of the hot high pressure gases produced during combustion acts directly on a part of an internal combustion engine In most cases the force is received by a rotor Wankel engine gas turbine blades piston engine nozzles jet engine or pistons piston engine This force transforms chemical energy into kinetic energy which drives moves or powers whatever the engine is attached to It moves the component over a distance to do this Therefore there is need of some alternative fuel which can replace petroleum based fuels in an effective manner and that fuel should also be available in abundance and can be used in existing type of ic engines without much modification work On exploring our possibilities for an alternative fuel for ic engines we can easily vote for Hydrogen Gas Based Engines These types of engines are highly efficient in nature and do not require much modification work One biggest limitation of Hydrogen Gas Based Engine is low volumetric efficiency but we can overcome this with the use of oxygen enriched air and also with pure moist oxygen This step will also help in reducing emission related problems associated with such type of engines

Automotive Engineering International ,2000 **Final Program** ,1999 **Automotive Systems** G.K. Awari,V.S. Kumbhar,R.B. Tirpude,2021-01-26 This book introduces the principles and practices in automotive systems including modern automotive systems that incorporate the latest trends in the automobile industry The fifteen chapters present new and innovative methods to master the complexities of the vehicle of the future Topics like vehicle classification structure and layouts engines transmissions braking suspension and steering are illustrated with modern concepts such as battery electric hybrid electric and fuel cell vehicles and vehicle maintenance practices Each chapter is supported with examples illustrative figures multiple choice questions and review questions Aimed at senior undergraduate and graduate students in automotive automobile engineering mechanical engineering electronics engineering this book covers the following Construction and working details of all modern as well as fundamental automotive systems Complexities of operation and assembly of various parts of automotive systems in a simplified manner Handling of automotive systems and integration of various components for smooth functioning of the vehicle Modern topics such as battery electric hybrid electric and fuel cell vehicles Illustrative examples figures multiple choice questions and review questions at the end of each chapter

The International Journal of Mechanical Engineering Education ,1986 **Solutions Manual for Introduction to Internal Combustion Engines** Richard Stone,1999-08-20 This solutions manual has been prepared to accompany the 3rd edition of the author's Introduction to Internal Combustion Engines At the end of many of the

questions is a discussion which is intended to provide useful supplementary information *Introduction to Internal Combustion Engines, 3rd Edition* Richard Stone,1999 **Proceedings of the ... Fall Technical Conference of the ASME Internal Combustion Engine Division** American Society of Mechanical Engineers. Internal Combustion Engine Division. Technical Conference,2004 Alternative Fuel Vehicles and Combustion Processes John F. Buydos,2006 This guide lists relevant sources of information on alternative fuel vehicles and includes electric vehicles hybrid vehicles and personal transportation vehicles as well as the technology of fuel economy and alternative fuels It also includes advanced autoignition and lean burn combustion processes for improving engine fuel economy Introduction to Internal Combustion Engines Richard Stone,1993 New text illustrations and worked examples have been added to this second edition Added material includes four new chapters on two stroke engines computer modeling turbulence and cooling systems and additions to instrumentation used in engine testing lead free and alternative fuels use of c Combustion and Flow Diagnostics ,2004 **Journal of Scientific and Industrial Research** ,2015 Aviation Fuels Technology E. M. Goodger,Ray Vere,1985 *An Investigation Into the Effects of Thermal and Compositional Stratification on HCCI Combustion* James M. Krasselt,2008 *Oxygenated and Alternative Fuels, and Combustion and Flow Diagnostics* Society of Automotive Engineers,2003

If you ally need such a referred **Introduction To Internal Combustion Engine Richard Stone** book that will manage to pay for you worth, acquire the utterly best seller from us currently from several preferred authors. If you want to entertaining books, lots of novels, tale, jokes, and more fictions collections are then launched, from best seller to one of the most current released.

You may not be perplexed to enjoy all books collections Introduction To Internal Combustion Engine Richard Stone that we will completely offer. It is not regarding the costs. Its just about what you need currently. This Introduction To Internal Combustion Engine Richard Stone, as one of the most full of zip sellers here will completely be in the course of the best options to review.

<https://py.bijouxmedusa.com/book/scholarship/default.aspx/marketing%20explained%20for%20small%20business%2082%202394%20content%20marketing.pdf>

Table of Contents Introduction To Internal Combustion Engine Richard Stone

1. Understanding the eBook Introduction To Internal Combustion Engine Richard Stone
 - The Rise of Digital Reading Introduction To Internal Combustion Engine Richard Stone
 - Advantages of eBooks Over Traditional Books
2. Identifying Introduction To Internal Combustion Engine Richard Stone
 - Exploring Different Genres
 - Considering Fiction vs. Non-Fiction
 - Determining Your Reading Goals
3. Choosing the Right eBook Platform
 - Popular eBook Platforms
 - Features to Look for in an Introduction To Internal Combustion Engine Richard Stone
 - User-Friendly Interface
4. Exploring eBook Recommendations from Introduction To Internal Combustion Engine Richard Stone
 - Personalized Recommendations

- Introduction To Internal Combustion Engine Richard Stone User Reviews and Ratings
- Introduction To Internal Combustion Engine Richard Stone and Bestseller Lists
- 5. Accessing Introduction To Internal Combustion Engine Richard Stone Free and Paid eBooks
 - Introduction To Internal Combustion Engine Richard Stone Public Domain eBooks
 - Introduction To Internal Combustion Engine Richard Stone eBook Subscription Services
 - Introduction To Internal Combustion Engine Richard Stone Budget-Friendly Options
- 6. Navigating Introduction To Internal Combustion Engine Richard Stone eBook Formats
 - ePub, PDF, MOBI, and More
 - Introduction To Internal Combustion Engine Richard Stone Compatibility with Devices
 - Introduction To Internal Combustion Engine Richard Stone Enhanced eBook Features
- 7. Enhancing Your Reading Experience
 - Adjustable Fonts and Text Sizes of Introduction To Internal Combustion Engine Richard Stone
 - Highlighting and Note-Taking Introduction To Internal Combustion Engine Richard Stone
 - Interactive Elements Introduction To Internal Combustion Engine Richard Stone
- 8. Staying Engaged with Introduction To Internal Combustion Engine Richard Stone
 - Joining Online Reading Communities
 - Participating in Virtual Book Clubs
 - Following Authors and Publishers Introduction To Internal Combustion Engine Richard Stone
- 9. Balancing eBooks and Physical Books Introduction To Internal Combustion Engine Richard Stone
 - Benefits of a Digital Library
 - Creating a Diverse Reading Collection Introduction To Internal Combustion Engine Richard Stone
- 10. Overcoming Reading Challenges
 - Dealing with Digital Eye Strain
 - Minimizing Distractions
 - Managing Screen Time
- 11. Cultivating a Reading Routine Introduction To Internal Combustion Engine Richard Stone
 - Setting Reading Goals Introduction To Internal Combustion Engine Richard Stone
 - Carving Out Dedicated Reading Time
- 12. Sourcing Reliable Information of Introduction To Internal Combustion Engine Richard Stone
 - Fact-Checking eBook Content of Introduction To Internal Combustion Engine Richard Stone

- Distinguishing Credible Sources
- 13. Promoting Lifelong Learning
 - Utilizing eBooks for Skill Development
 - Exploring Educational eBooks
- 14. Embracing eBook Trends
 - Integration of Multimedia Elements
 - Interactive and Gamified eBooks

Introduction To Internal Combustion Engine Richard Stone Introduction

Free PDF Books and Manuals for Download: Unlocking Knowledge at Your Fingertips In today's fast-paced digital age, obtaining valuable knowledge has become easier than ever. Thanks to the internet, a vast array of books and manuals are now available for free download in PDF format. Whether you are a student, professional, or simply an avid reader, this treasure trove of downloadable resources offers a wealth of information, conveniently accessible anytime, anywhere. The advent of online libraries and platforms dedicated to sharing knowledge has revolutionized the way we consume information. No longer confined to physical libraries or bookstores, readers can now access an extensive collection of digital books and manuals with just a few clicks. These resources, available in PDF, Microsoft Word, and PowerPoint formats, cater to a wide range of interests, including literature, technology, science, history, and much more. One notable platform where you can explore and download free Introduction To Internal Combustion Engine Richard Stone PDF books and manuals is the internet's largest free library. Hosted online, this catalog compiles a vast assortment of documents, making it a veritable goldmine of knowledge. With its easy-to-use website interface and customizable PDF generator, this platform offers a user-friendly experience, allowing individuals to effortlessly navigate and access the information they seek. The availability of free PDF books and manuals on this platform demonstrates its commitment to democratizing education and empowering individuals with the tools needed to succeed in their chosen fields. It allows anyone, regardless of their background or financial limitations, to expand their horizons and gain insights from experts in various disciplines. One of the most significant advantages of downloading PDF books and manuals lies in their portability. Unlike physical copies, digital books can be stored and carried on a single device, such as a tablet or smartphone, saving valuable space and weight. This convenience makes it possible for readers to have their entire library at their fingertips, whether they are commuting, traveling, or simply enjoying a lazy afternoon at home. Additionally, digital files are easily searchable, enabling readers to locate specific information within seconds. With a few keystrokes, users can search for keywords, topics, or phrases, making research and finding relevant information a breeze. This efficiency saves time and effort, streamlining the learning process.

and allowing individuals to focus on extracting the information they need. Furthermore, the availability of free PDF books and manuals fosters a culture of continuous learning. By removing financial barriers, more people can access educational resources and pursue lifelong learning, contributing to personal growth and professional development. This democratization of knowledge promotes intellectual curiosity and empowers individuals to become lifelong learners, promoting progress and innovation in various fields. It is worth noting that while accessing free Introduction To Internal Combustion Engine Richard Stone PDF books and manuals is convenient and cost-effective, it is vital to respect copyright laws and intellectual property rights. Platforms offering free downloads often operate within legal boundaries, ensuring that the materials they provide are either in the public domain or authorized for distribution. By adhering to copyright laws, users can enjoy the benefits of free access to knowledge while supporting the authors and publishers who make these resources available. In conclusion, the availability of Introduction To Internal Combustion Engine Richard Stone free PDF books and manuals for download has revolutionized the way we access and consume knowledge. With just a few clicks, individuals can explore a vast collection of resources across different disciplines, all free of charge. This accessibility empowers individuals to become lifelong learners, contributing to personal growth, professional development, and the advancement of society as a whole. So why not unlock a world of knowledge today? Start exploring the vast sea of free PDF books and manuals waiting to be discovered right at your fingertips.

FAQs About Introduction To Internal Combustion Engine Richard Stone Books

What is a Introduction To Internal Combustion Engine Richard Stone PDF? A PDF (Portable Document Format) is a file format developed by Adobe that preserves the layout and formatting of a document, regardless of the software, hardware, or operating system used to view or print it. **How do I create a Introduction To Internal Combustion Engine Richard Stone PDF?** There are several ways to create a PDF: Use software like Adobe Acrobat, Microsoft Word, or Google Docs, which often have built-in PDF creation tools. Print to PDF: Many applications and operating systems have a "Print to PDF" option that allows you to save a document as a PDF file instead of printing it on paper. Online converters: There are various online tools that can convert different file types to PDF. **How do I edit a Introduction To Internal Combustion Engine Richard Stone PDF?** Editing a PDF can be done with software like Adobe Acrobat, which allows direct editing of text, images, and other elements within the PDF. Some free tools, like PDFescape or Smallpdf, also offer basic editing capabilities. **How do I convert a Introduction To Internal Combustion Engine Richard Stone PDF to another file format?** There are multiple ways to convert a PDF to another format: Use online converters like Smallpdf, Zamzar, or Adobe Acrobats export feature to convert PDFs to formats like Word, Excel, JPEG, etc. Software like Adobe Acrobat, Microsoft

Word, or other PDF editors may have options to export or save PDFs in different formats. **How do I password-protect a Introduction To Internal Combustion Engine Richard Stone PDF?** Most PDF editing software allows you to add password protection. In Adobe Acrobat, for instance, you can go to "File" -> "Properties" -> "Security" to set a password to restrict access or editing capabilities. Are there any free alternatives to Adobe Acrobat for working with PDFs? Yes, there are many free alternatives for working with PDFs, such as: LibreOffice: Offers PDF editing features. PDFsam: Allows splitting, merging, and editing PDFs. Foxit Reader: Provides basic PDF viewing and editing capabilities. How do I compress a PDF file? You can use online tools like Smallpdf, ILovePDF, or desktop software like Adobe Acrobat to compress PDF files without significant quality loss. Compression reduces the file size, making it easier to share and download. Can I fill out forms in a PDF file? Yes, most PDF viewers/editors like Adobe Acrobat, Preview (on Mac), or various online tools allow you to fill out forms in PDF files by selecting text fields and entering information. Are there any restrictions when working with PDFs? Some PDFs might have restrictions set by their creator, such as password protection, editing restrictions, or print restrictions. Breaking these restrictions might require specific software or tools, which may or may not be legal depending on the circumstances and local laws.

Find Introduction To Internal Combustion Engine Richard Stone :

marketing explained for small business 82-2394 content marketing

luxury travel explained USA 82-823 luxury travel explained for

business 82-2262 coding for beginners explained for startups 82-1159

personal finance software for small business 82-392 personal finance

checklist for creators 82-2306 passive income ideas checklist for small

startups 82-2725 healthy recipes examples America 82-2059 healthy

beginners for startups 82-277 sustainable living guide USA 82-693

comparison for creators 82-638 budget travel comparison for small

tools United States 82-1607 electric vehicles tools United States

luxury travel strategies for creators 82-205 luxury travel strategies

States 82-99 real estate investing trends America 82-52 real estate

score improvement ideas United States 82-2746 credit score improvement

82-2622 NFT marketplace apps for small business 82-62 NFT marketplace

America 82-2806 cloud computing examples for creators 82-1273 cloud

services ideas for small business 82-425 VPN services review for

Introduction To Internal Combustion Engine Richard Stone :

mcculloch 322768 00 chainsaw pdf valenjarel com - Sep 04 2022

web may 15 2023 mcculloch 322768 00 chainsaw pdf is open in our digital library an online entrance to it is set as public therefore you can download it instantly our digital library saves in complex countries allowing you to get the most less latency times to download any of our books similar to this one

mcculloch chainsaw 322768 00 please help find the manual for - Jun 13 2023

web garden product manuals and free pdf instructions find the user manual you need for your lawn and garden product and more at manualsonline

designed for action four new mcculloch chainsaws - Aug 03 2022

web the mcculloch chainsaws have powerful engines ranging from 1 4kw to 2 1kw oxypower technology reducing fuel consumption and emissions cool and attractive mcculloch design soft start and primer for instant action comfortable with soft grip handle and anti vibration system double acting chain brake cs 50s cs 42s cs 35s

mcculloch 322768 00 chainsaw a3 phasescientific com - Dec 07 2022

web mcculloch 322768 00 chainsaw 1 mcculloch 322768 00 chainsaw mcculloch 322768 00 chainsaw downloaded from a3 phasescientific com by guest patricia curtis title mcculloch 322768 00 chainsaw copy a3 phasescientific com author patricia curtis created date 7 12 2023 7 16 49 pm

mcculloch 322768 00 chainsaw doblespacio uchile cl - Jun 01 2022

web mcculloch 322768 00 chainsaw this is likewise one of the factors by obtaining the soft documents of this mcculloch 322768 00 chainsaw by online you might not require more times to spend to go to the book introduction as without difficulty as search for them in some cases you likewise pull off not discover the publication mcculloch 322768 00

mcculloch 322768 00 chainsaw customizer monos com - Apr 30 2022

web mcculloch 322768 00 chainsaw 1 mcculloch 322768 00 chainsaw mcculloch 322768 00 chainsaw downloaded from customizer monos com by guest phoebe avery best sellers books the mountain is you transforming self sabotage into self mastery killers of the flower moon the osage murders and the birth of the fbi by david grann

chainsaw chains chainsaw chain replacement mcculloch - Feb 09 2023

web a selection of high quality chainsaw chains that offer a neat and tidy cut these chains are available in a variety of sizes to fit the most common bar lengths and gauges compare products

chainsaws cordless electric chainsaws mcculloch - Oct 05 2022

web chainsaws a chainsaw for every task no matter what your garden task mcculloch has a range of electric battery and

petrol chainsaws with the power to get the job done whether cutting firewood or felling large trees all mcculloch chainsaws have strong engines great ergonomics and superior durability

mcculloch 322768 00 chainsaw store sbtexas - Dec 27 2021

web jun 9 2023 mcculloch 322768 00 chainsaw books that will find the money for you worth fetch the definitely best seller from us currently from many preferred authors along with instructions you could take pleasure in the present is mcculloch 322768 00 chainsaw below it will vastly effortlessness you to see handbook mcculloch 322768 00 chainsaw

mcculloch 322768 00 chainsaw store kawan equipment - Mar 10 2023

web mcculloch 322768 00 chainsaw is manageable in our digital library an online entry to it is set as public fittingly you can download it instantly our digital library saves in complex countries allowing you to acquire the most less latency era to download any of our books gone this one merely said the mcculloch 322768 00 chainsaw is

chainsaw sprocket replaces mtd mcculloch 302768 302768 00 753 ebay - Jan 08 2023

web visit store chainsaw sprocket replaces mtd mcculloch 302768 302768 00 753 05121 215252 33 3 product ratings condition open box quantity last one 32 sold price us 23 77 approximately 31 96 buy it now

mcculloch 322768 00 chainsaw freewebmasterhelp - Jul 02 2022

web mar 3 2023 mcculloch 322768 00 chainsaw is reachable in our digital library an online permission to it is set as public in view of that you can download it instantly our digital library saves in multiple countries allowing you to get the most less latency times to download any of our books behind this one merely

user manuals official mcculloch website - Aug 15 2023

web view and download the user manual for your mcculloch product change language discover mcculloch service locator contact

mcculloch motors corporation wikipedia - Nov 06 2022

web mcculloch motors corporation is an american manufacturer of chainsaws and other outdoor power tools the company was founded in milwaukee wisconsin in 1943 by robert paxton mcculloch as a manufacturer of small two stroke gasoline engines and introduced its first chainsaw in 1948 the model 5 49

mcculloch 322768 00 chainsaw magazine mediamarkt nl - Mar 30 2022

web jun 15 2023 mcculloch 322768 00 chainsaw 302768 00 mcculloch cs400t chainsaw cs400t 300 00 buy online june 20th 2018 buy online lawn mower spare parts amp outdoor power equipment outdoorworking mcculloch cs400t chainsaw cs400t engine specification cylinder displacement 2 44 cu inch 40 cm³ power output 2 01 hp 1 5 kw

chainsaw spares parts mcculloch - Jul 14 2023

web we offer a complete range of chainsaw parts and accessories to keep your chainsaw running smoothly and to maximise

its life span view mcculloch chainsaw parts and accessories today

mcculloch 322768 00 chainsaw design bluesquare org - Apr 11 2023

web 2 mcculloch 322768 00 chainsaw 2021 04 19 mcculloch 322768 00 chainsaw downloaded from design bluesquare org by guest marshall camacho creative woodcutting with a chain saw flowering elbow about this book a chainsaw is arguably the most effective tool a person can use to fell trees and clear brush they re effective

mcculloch 322768 00 chainsaw pdf 2023 voto uneal edu - Jan 28 2022

web fade in to obscurity eclipsed by the constant assault of sound and distractions however located within the musical pages of mcculloch 322768 00 chainsaw pdf a charming perform of fictional beauty that impulses with natural emotions lies an wonderful trip waiting to be embarked upon composed

mcculloch 322768 00 chainsaw pdf copy - Feb 26 2022

web title mcculloch 322768 00 chainsaw pdf copy dsm diabetesselfmanagement com created date 9 1 2023 9 57 58 pm

mcculloch chainsaws official mcculloch website - May 12 2023

web mcculloch chainsaws are designed to bring out the lumberjack in you but at the same time our products are seldom used on a daily basis we ve taken that into account in our product development and all our chainsaws are easy to start thanks to their proven reliable technology

recherche secrets grands peintres de jacques maroger - Mar 14 2023

web livre ancien ou d occasion couverture souple eur 77 autre devise eur 3 70 frais de port vers france quantité disponible 1 ajouter au panier brochÃ a la recherche des

secrets d artistes la vie des créateurs à la loupe beaux arts - May 04 2022

web 18 septembre 2023 secrets d artistes 18 septembre 2023 ce que vous ne saviez peut être pas sur eugène delacroix a la recherche des secrets des grands peintres j maroger - Jun 05 2022

web a la recherche des secrets des grands peintres j maroger dessain tolra 1986 eur 180 20 achat immédiat ou offre directe eur 5 90 livraison 14 jour retours garantie

a la recherche des secrets des grands peintres logb fonedog - Feb 01 2022

web 4 a la recherche des secrets des grands peintres 2022 03 10 qu une défiance absolue confine à la paranoïa ces deux attitudes sont symétriquement préjudiciables à

a la recherche des secrets des grands peintres pdf wrbb neu - Sep 27 2021

web a la recherche des secrets des grands peintres 2022 02 21 shane macias la protection des secrets d affaires the protection of trade secrets kohlhammer verlag

a la recherche des secrets des grands peintres poche fnac - Jul 18 2023

web a la recherche des secrets des grands peintres des milliers de livres avec la livraison chez vous en 1 jour ou en magasin avec 5 de réduction a la recherche des

À la recherche des secrets des grands peintres decitre - Jan 12 2023

web jan 1 1991 amour impossible devoir de filiation rébellion contre une société archaïque vent de liberté qui laisse présager un changement une merveille à lire d urgence

recherche secrets grands peintres by jacques maroger - Dec 11 2022

web a la recherche des secrets des grands peintres by maroger jacques and a great selection of related books art and collectibles available now at abebooks com

recommandations autour de À la recherche des secrets des - Feb 13 2023

web À la recherche des secrets des grands peintres que lire après À la recherche des secrets des grands peintres histoire de la milice en creuse un corps étranger dans

À la recherche des secrets des grands peintres amazon de - Aug 07 2022

web À la recherche des secrets des grands peintres gebundene ausgabe 1 januar 1991 französisch ausgabe von birthe koustrup autor 4 2 5 sternebewertungen alle

a la recherche des secrets des grands peintres 2022 - Mar 02 2022

web somalize et la société précieuse le public et les écrivains au xviiie siècle le xviiiie siècle et la critique contemporaine adrienne lecouvreur les origines françaises du

amazon com customer reviews a la recherche des secrets des - Oct 09 2022

web find helpful customer reviews and review ratings for a la recherche des secrets des grands peintres french edition at amazon com read honest and unbiased product

jacques maroger a la recherche des secrets des grands - Sep 08 2022

web jacques maroger a la recherche des secrets des grands peintres chercher plutôt jacques maroger anal recherches des secret des grandes peintures ce lundi 13 juin 1

a la recherche des secrets des grands peintres - Oct 29 2021

web l académie des beaux arts et les anciennes académies la peinture française et les chefs d école le centenaire de scribe le prince napoléon m f brunetière lavoisier the

recherche secrets grands peintres abebooks - Nov 29 2021

web a la recherche des secrets des grands peintres by maroger jacques and a great selection of related books art and collectibles available now at abebooks com

a la recherche des secrets des grands peintres pdf - Apr 03 2022

web la recherche des secrets des grands peintres is manageable in our digital library an online entrance to it is set as public in view of that you can download it instantly our

À la recherche des secrets des grands peintres rakuten - Nov 10 2022

web achat À la recherche des secrets des grands peintres à prix bas sur rakuten si vous êtes fan de lecture depuis des années découvrez sans plus tarder toutes nos offres et

a la recherche des secrets des grands peintres french edition - Aug 19 2023

web jan 1 1986 a la recherche des secrets des grands peintres french edition paperback january 1 1986 french edition by jacques maroger author 4 3 6 ratings see all

a la recherche des secrets des grands peintres rakuten - May 16 2023

web jan 8 2017 référence dans la technique de la peinture à l huile ce livre révèle après une longue recherche de son auteur les secrets des grands maîtres tels van eyck

pythagore 4 aspects fascinants de sa vie au delà des bbc - Dec 31 2021

web oct 17 2023 4 aspects fascinants de la vie de pythagore au delà des mathématiques l un des plus anciens récits de pythagore écrit au iiiie siècle avant j c ne parle pas

À la recherche des secrets des grands peintres amazon fr - Sep 20 2023

web noté 5 retrouvez À la recherche des secrets des grands peintres et des millions de livres en stock sur amazon fr achetez neuf ou d occasion

a la recherche des secrets des grands peintres open library - Jun 17 2023

web apr 2 2023 a la recherche des secrets des grands peintres by jacques maroger 0 ratings 0 want to read 0 currently reading 0 have read this edition doesn t have a

jacques maroger wikipédia - Apr 15 2023

web jacques maroger est l auteur de l ouvrage À la recherche des secrets des grands peintres 1948 considéré comme un traité de référence sur les procédés de peinture

quels sont les secrets des peintres - Jul 06 2022

web elle collabore re gulie rement pour la revue dada et e crit des documentaires et des romans pour la jeunesse palette nathan graine2 oskar e diteur etc avec toujours

september intake technical university of mombasa 2013 pdf uniport edu - Feb 13 2022

web september 6 2023 by guest september intake technical university of mombasa 2013 this is likewise one of the factors by obtaining the soft documents of this september intake technical university of mombasa 2013 by online you might not require more times to spend to go to the books initiation as skillfully as search for them in some

karibu technical university of mombasa - Sep 22 2022

web feb 25 2021 karibu technical university of mombasa 2nd multidisciplinary conference innovation week full time and evening courses for january may and september 2021 intake at the technical university of mombasa click here to see courses 2nd multidisciplinary conference and innovation

september intake technical university of mombasa 2013 - Jul 01 2023

web september intake technical university of mombasa 2013 technos chartered mechanical engineer parliamentary debates hansard traffic engineering control b c l a reporter guide to world science the scandinavian countries editor j watson directory of institutions for higher education the emerald handbook of higher education in a post

september intake technical university of mombasa 2013 - Jan 27 2023

web september intake technical university of mombasa 2013 but end up in malicious downloads rather than enjoying a good book with a cup of tea in the afternoon instead they cope with some infectious virus inside their desktop computer september intake technical university of mombasa 2013 is available in our digital library an online

september intake technical university of mombasa 2013 pdf uniport edu - Mar 17 2022

web sep 6 2023 of this september intake technical university of mombasa 2013 can be taken as competently as picked to act education quality and social justice in the global south leon tikly 2013 06 07 how we understand education quality is inextricably linked with perspectives on social justice questions of inclusion relevance and democracy in

september intake technical university of mombasa 2013 pdf uniport edu - Oct 04 2023

web oct 29 2023 september intake technical university of mombasa 2013 2 10 downloaded from uniport edu ng on october 29 2023 by guest and analytics 2013 06 19 this report focuses on the risks of climate change to development in sub saharan africa south east asia and south asia building on the 2012 report turn down the heat why a

september intake technical university of mombasa 2013 uniport edu - Sep 03 2023

web september intake technical university of mombasa 2013 below guiding statutes for technical universities national council for tertiary education ghana 2019 climate change and cities cynthia rosenzweig 2018 03 29 climate change and cities bridges *tum september intake 2023 2024 kenyadmission* - Apr 17 2022

web tum september intake 2023 2024 tum september intake 2023 2024 check below technical university of mombasa tum admissions the technical university of mombasa invites applications from suitably qualified candidates into the following programmes

september intake technical university of mombasa 2013 uniport edu - Oct 24 2022

web apr 12 2023 if you aspiration to download and install the september intake technical university of mombasa 2013 it is entirely simple then back currently we extend the belong to to buy and create bargains to download

postgraduate intake is continuous technical university of mombasa - Nov 24 2022

web the technical university of mombasa invites applications from suitably qualified candidates for the following programmes starting in september 2021 january and may 2022 application forms are available on tum ac ke downloads postgraduate intake is continuous

september intake technical university of mombasa 2013 2022 - Mar 29 2023

web september intake technical university of mombasa 2013 downloaded from data northitalia com by guest mathews karlee parliamentary debates hansard amer assn of community col covering all aspects of the research decision making planning and adjustment process studying abroad is your personal compendium of the exciting array

september intake technical university of mombasa 2013 - Jun 19 2022

web september intake technical university of mombasa 2013 studying abroad new scientist cme numerical modelling of discrete materials in geotechnical engineering civil engineering and earth sciences technical and vocational teacher education and training in international and development co operation daily graphic aviation news

technical university of mombasa september intake 2013 - Jul 21 2022

web technical university of mombasa september intake downloaded from 2013 thecontemporaryaustin org by guest maximo herring freedom in the world 2018 thomas telford a source book for future research and management activities these 20 papers cover wetland issues in kenya and underline the need for a national wetland

september intake technical university of mombasa 2013 pdf uniport edu - Aug 22 2022

web september intake technical university of mombasa 2013 1 1 downloaded from uniport edu ng on october 28 2023 by guest september intake technical university of mombasa 2013 right here we have countless ebook september intake technical university of mombasa 2013 and collections to check out

karibu technical university of mombasa - May 31 2023

web orientation programme for september 2023 intake 20 sep 2023 memo to all students on venues for orientation for first year students 20 sep 2023 student insurance covers 30 aug 2023 job advertisement 16 aug 2023 opening dates for september 2023 semester 16 aug 2023 to all july 2023 graduands on correction of names 09 aug 2023

september intake technical university of mombasa 2013 uniport edu - Feb 25 2023

web oct 23 2023 you could quickly download this september intake technical university of mombasa 2013 after getting deal so in the same way as you require the books swiftly you can straight get it

technical university of mombasa september intake book - Apr 29 2023

web technical university of mombasa september intake technical university of mombasa september intake 2 downloaded from ead3 archivists org on 2021 04 01 by guest examines multilingualism in education from three broad perspectives

multilingualism and language in education policy in africa multilingualism as an

september intake technical university of mombasa 2013 full - Dec 26 2022

web september intake technical university of mombasa 2013 3 3 thus proving valuable reading for civil mining and geotechnical engineers as well as other interested professionals traffic engineering control easyuni sdn bhd describes the similarities and differences between the community colleges and their equivalent in 23 countries

september intake technical university of mombasa 2013 - Aug 02 2023

web 2 september intake technical university of mombasa 2013 2023 04 30 teacher training in selected countries from developing countries countries with emerging economies to industrialized countries

technical university of mombasa tum september intake - May 19 2022

web nov 2 2022 the technical university of mombasa tum online admission application form for august september intake 2023 2024 is open to all qualified undergraduate bachelors degree postgraduate masters doctor of philosophy phd certificate and diploma programmes applicants irrespective of colour race ethnic identity religion