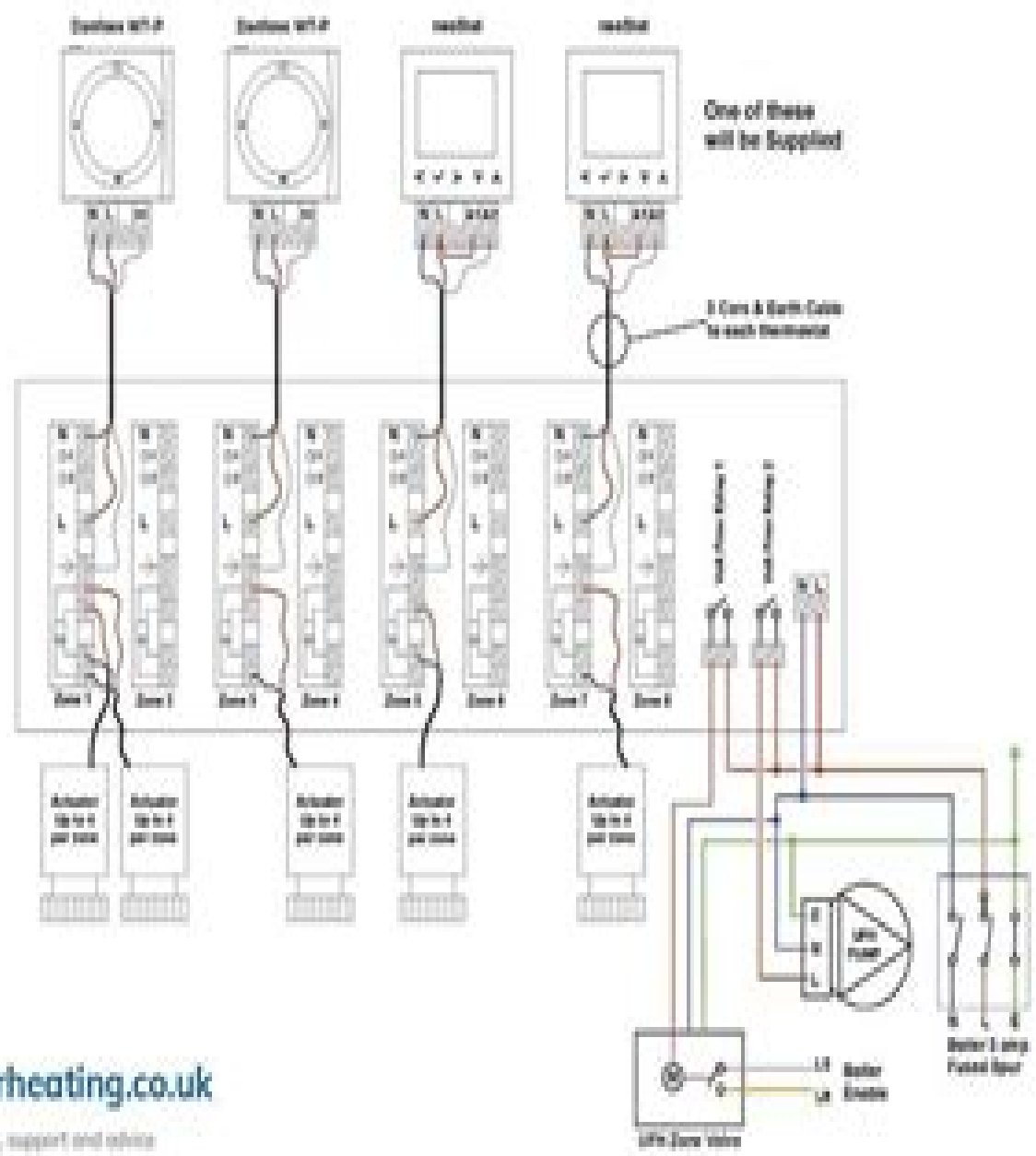


# Wiring using a Wiring Centre (Multi Zone)



# Connection Example Danfoss

**DJ Losen**



## **Connection Example Danfoss:**

**Network Based High Speed Product Development** Peter Lindgren,2022-09-01 In the first decade of the 21st century product development in networks was predicted to be of ever increasing importance to businesses of all sizes because of changes in markets in technology in networks and in the competences of Businesses The growth in new products share of businesses total turnover and earnings were increasing at an unprecedented speed The entrepreneurial innovations and technological improvements had resulted in the increasingly fast development of new products and services Businesses and industries in different countries became increasingly more linked and interdependent in networks with respect to materials business operations and particularly product development to match the wants and needs of the global market environment to high speed product development Businesses were therefore encountering increasingly dynamic market fragmentation shrinking time in market increasing product variety demands of production to customer specifications reduced product lifetimes and globalization of production Networks were vital because the competition is not business against business but network against network Networks are vital because an increasing part of product development was carried out in all types of networks containing physical ICT dynamic and virtual networks Speed and pressure on time in product development seemed to continue to increase because customer demands for new products seemed to continue to increase However a Business seldom possessed all needed competences and managers saw product development based on networks as an important solution to meet the strong competition of the future global markets and the strong demand for innovation and innovativeness The evolution of market demands and focus required on competencies of businesses could be characterized as a development from a focus on efficiency to a focus on quality and flexibility to a focus on speed and innovativeness This was why it was interesting and important to research and discuss product development and especially to understand high speed product development of individualized products in fragile market segments Consequently findings and learning on aspects like enablers management tools technological tools product development models product development processes and network tools to speed new product development are presented in this book [Entrepreneurship in Theory and Practice](#) Suna Løwe Nielsen, Kim Klyver, Majbritt Rostgaard Evald, Torben Bager,2021-03-26 The third edition of this creative and successful textbook provides a broad overview of entrepreneurship from a theoretical and practical perspective Engaging for undergraduates it embeds theories of entrepreneurship with tensions and dilemmas presented as paradoxes for each chapter It offers insights into the entrepreneurial process and challenges readers to assess the paradoxes and pitfalls encountered on an entrepreneurial journey **Collaborative Communities of Firms** Anne Bøllingtoft, Lex Donaldson, George P. Huber, Dorthe Døjbak Håkonsson, Charles C. Snow,2011-11-23 Faced with the ever accelerating pace of technological change and the restructuring of markets many firms have been questioning the appropriateness of their own organizational structure and effectiveness Consequently we have witnessed much organizational experimentation and the development of new forms

of organizing over the last decade Firms are more dependent than ever on the need for continuous and radical innovations and often innovations that go beyond their existing businesses This challenges firms in terms of knowledge and idea sharing and often necessitates the need to expand beyond the boundaries of the single firm for multi party collaboration to meet serious challenges and develop creative solutions Drawing from the Fourth International Workshop on Organization Design and featuring contributions from an international array of specialists this volume focuses on the expansion beyond the boundaries of the single firm and multi firm networks to include for example community based organization designs A community is a connected set of firms the connections can take on many different dimensions For organization design theory community based organizations have many implications For one organization design theory has to identify and describe designs that enhance collaborative behavior among firms without restricting the ability of the individual firm to continue to compete within its own marketplace Moreover organization design theory also has to identify and describe information processing strategies and designs that allow the continuous generation sharing and application of existing information and knowledge The development of effective collaborative community designs is critically important to the global economy because increasingly our future depends on pursuing shared goals and sustainably developing our global commons Ideally the ideas and findings in this book will contribute to increased attention to new organization designs capable of meeting 21st century opportunities and challenges

**Embedded Software** ,2005 **Mass Customisation and Personalisation in Architecture and Construction** Poorang Piroozfar, Frank Piller, 2013-06-19 Challenged by the recent economic crisis the building and construction industry is currently seeking new orientation and strategies Here mass customisation is uncovered as a key strategy in helping to meet this challenge The term mass customisation denotes an offering that meets the demands of each individual customer whilst still being produced with mass production efficiency Today mass customisation is emerging from a pilot stage into a scalable and sustainable strategy The first dedicated publication of its kind this book provides a forum for the concept within an applied and highly innovative context The book includes contributions from some of the most prominent thinkers and practitioners in the field from across the world including Kasper S Vibaek Steve Kendall Martin Bechthold Mitchell M Tseng and Masa Noguchi Bringing together this panel of experts who have carried out research both in academia and practice this book provides an overview of state of the art practice related to the concept of customisation and personalisation within the built environment

**Water 21** ,1999 **Interactions** ,1997 A magazine for designers of interactive products **Processing** ,1984 From Ideas to Action Jan-Olaf Willums, Ulrich Golüke, 1992 The earth our asset Business sustainable development and environmental assets The air around us The water we need The vanishing forests The richness of nature biodiversity The lost resource waste Hopes and promises population poverty and health The business response to sustainable development The greening of enterprise industry s score Fueling economic development the double edge of energy Bridging the gap industry s role in technology cooperation The road ahead The ICC

business charter for sustainable development The history of the business charter Further reference material on cases Corporate environmental profiles The Rio declaration and ICC business charter on environment and development Reference documents **The Engineering and Boiler House Review** ,1962 **The Journal of Refrigeration** ,1968 Modern Refrigeration ... ,1974 **Modern Refrigeration and Air Control** ,1962 **Desalination** Jane Kucera,2019-04-11 This all new revised edition of a modern classic is the most comprehensive and up to date coverage of the green process of desalination in industrial and municipal applications covering all of the processes and equipment necessary to design operate and troubleshoot desalination systems This is becoming increasingly more important for not only our world s industries but our world s populations as pure water becomes more and more scarce Blue is the new green This is an all new revised edition of a modern classic on one of the most important subjects in engineering Water Featuring a total revision of the initial volume this is the most comprehensive and up to date coverage of the process of desalination in industrial and municipal applications a technology that is becoming increasingly more important as more and more companies choose to go green This book covers all of the processes and equipment necessary to design operate and troubleshoot desalination systems from the fundamental principles of desalination technology and membranes to the much more advanced engineering principles necessary for designing a desalination system Earlier chapters cover the basic principles the economics of desalination basic terms and definitions and essential equipment The book then goes into the thermal processes involved in desalination such as various methods of evaporation distillation recompression and multistage flash Following that is an exhaustive discussion of the membrane processes involved in desalination such as reverse osmosis forward osmosis and electro dialysis Finally the book concludes with a chapter on the future of these technologies and their place in industry and how they can be of use to society This book is a must have for anyone working in water for engineers technicians scientists working in research and development and operators It is also useful as a textbook for graduate classes studying industrial water applications

*Market Oriented Product Innovation* Knut Holt,2013-03-14 Market Oriented Product Innovation differs from most other titles written either from a marketing or technical perspective by giving a holistic view of the product innovation process It has a product perspective written from a managerial point of view recognizing that product innovation or new product development is a discipline of its own It is concerned with managing the products goods and services through their life cycle integrating marketing knowledge and technological expertise with the aim of getting satisfied customers The book also gives a thorough treatment of the human and cultural aspects of product innovation by focusing on the change processes needed for the development of a market oriented culture *Engineering and Boiler House Review* ,1956 *Federal Register* ,2013-12 *Engineering Materials and Design* ,1990 *Equal Opportunities Review* ,2002 *The Journal of the Institution of Heating and Ventilating Engineers* Institution of Heating and Ventilating Engineers (Great Britain),1960

## **Connection Example Danfoss** Book Review: Unveiling the Power of Words

In a world driven by information and connectivity, the ability of words has become more evident than ever. They have the capability to inspire, provoke, and ignite change. Such is the essence of the book **Connection Example Danfoss**, a literary masterpiece that delves deep into the significance of words and their effect on our lives. Published by a renowned author, this captivating work takes readers on a transformative journey, unraveling the secrets and potential behind every word. In this review, we shall explore the book's key themes, examine its writing style, and analyze its overall impact on readers.

<https://py.bijouxmedusa.com/files/Resources/HomePages/improvement%20explained%20for%20entrepreneurs%2086%201677%20credit%20score%20improvement.pdf>

### **Table of Contents Connection Example Danfoss**

1. Understanding the eBook Connection Example Danfoss
  - The Rise of Digital Reading Connection Example Danfoss
  - Advantages of eBooks Over Traditional Books
2. Identifying Connection Example Danfoss
  - Exploring Different Genres
  - Considering Fiction vs. Non-Fiction
  - Determining Your Reading Goals
3. Choosing the Right eBook Platform
  - Popular eBook Platforms
  - Features to Look for in a Connection Example Danfoss
  - User-Friendly Interface
4. Exploring eBook Recommendations from Connection Example Danfoss
  - Personalized Recommendations
  - Connection Example Danfoss User Reviews and Ratings
  - Connection Example Danfoss and Bestseller Lists

5. Accessing Connection Example Danfoss Free and Paid eBooks
  - Connection Example Danfoss Public Domain eBooks
  - Connection Example Danfoss eBook Subscription Services
  - Connection Example Danfoss Budget-Friendly Options
6. Navigating Connection Example Danfoss eBook Formats
  - ePub, PDF, MOBI, and More
  - Connection Example Danfoss Compatibility with Devices
  - Connection Example Danfoss Enhanced eBook Features
7. Enhancing Your Reading Experience
  - Adjustable Fonts and Text Sizes of Connection Example Danfoss
  - Highlighting and Note-Taking Connection Example Danfoss
  - Interactive Elements Connection Example Danfoss
8. Staying Engaged with Connection Example Danfoss
  - Joining Online Reading Communities
  - Participating in Virtual Book Clubs
  - Following Authors and Publishers Connection Example Danfoss
9. Balancing eBooks and Physical Books Connection Example Danfoss
  - Benefits of a Digital Library
  - Creating a Diverse Reading Collection Connection Example Danfoss
10. Overcoming Reading Challenges
  - Dealing with Digital Eye Strain
  - Minimizing Distractions
  - Managing Screen Time
11. Cultivating a Reading Routine Connection Example Danfoss
  - Setting Reading Goals Connection Example Danfoss
  - Carving Out Dedicated Reading Time
12. Sourcing Reliable Information of Connection Example Danfoss
  - Fact-Checking eBook Content of Connection Example Danfoss
  - Distinguishing Credible Sources
13. Promoting Lifelong Learning

- 
- Utilizing eBooks for Skill Development
  - Exploring Educational eBooks
14. Embracing eBook Trends
- Integration of Multimedia Elements
  - Interactive and Gamified eBooks

### **Connection Example Danfoss Introduction**

In the digital age, access to information has become easier than ever before. The ability to download Connection Example Danfoss has revolutionized the way we consume written content. Whether you are a student looking for course material, an avid reader searching for your next favorite book, or a professional seeking research papers, the option to download Connection Example Danfoss has opened up a world of possibilities. Downloading Connection Example Danfoss provides numerous advantages over physical copies of books and documents. Firstly, it is incredibly convenient. Gone are the days of carrying around heavy textbooks or bulky folders filled with papers. With the click of a button, you can gain immediate access to valuable resources on any device. This convenience allows for efficient studying, researching, and reading on the go. Moreover, the cost-effective nature of downloading Connection Example Danfoss has democratized knowledge. Traditional books and academic journals can be expensive, making it difficult for individuals with limited financial resources to access information. By offering free PDF downloads, publishers and authors are enabling a wider audience to benefit from their work. This inclusivity promotes equal opportunities for learning and personal growth. There are numerous websites and platforms where individuals can download Connection Example Danfoss. These websites range from academic databases offering research papers and journals to online libraries with an expansive collection of books from various genres. Many authors and publishers also upload their work to specific websites, granting readers access to their content without any charge. These platforms not only provide access to existing literature but also serve as an excellent platform for undiscovered authors to share their work with the world. However, it is essential to be cautious while downloading Connection Example Danfoss. Some websites may offer pirated or illegally obtained copies of copyrighted material. Engaging in such activities not only violates copyright laws but also undermines the efforts of authors, publishers, and researchers. To ensure ethical downloading, it is advisable to utilize reputable websites that prioritize the legal distribution of content. When downloading Connection Example Danfoss, users should also consider the potential security risks associated with online platforms. Malicious actors may exploit vulnerabilities in unprotected websites to distribute malware or steal personal information. To protect themselves, individuals should ensure their devices have reliable antivirus software installed and validate the legitimacy of the websites they are downloading from. In conclusion, the ability to download Connection Example

---

Danfoss has transformed the way we access information. With the convenience, cost-effectiveness, and accessibility it offers, free PDF downloads have become a popular choice for students, researchers, and book lovers worldwide. However, it is crucial to engage in ethical downloading practices and prioritize personal security when utilizing online platforms. By doing so, individuals can make the most of the vast array of free PDF resources available and embark on a journey of continuous learning and intellectual growth.

### **FAQs About Connection Example Danfoss Books**

How do I know which eBook platform is the best for me? Finding the best eBook platform depends on your reading preferences and device compatibility. Research different platforms, read user reviews, and explore their features before making a choice. Are free eBooks of good quality? Yes, many reputable platforms offer high-quality free eBooks, including classics and public domain works. However, make sure to verify the source to ensure the eBook credibility. Can I read eBooks without an eReader? Absolutely! Most eBook platforms offer web-based readers or mobile apps that allow you to read eBooks on your computer, tablet, or smartphone. How do I avoid digital eye strain while reading eBooks? To prevent digital eye strain, take regular breaks, adjust the font size and background color, and ensure proper lighting while reading eBooks. What the advantage of interactive eBooks? Interactive eBooks incorporate multimedia elements, quizzes, and activities, enhancing the reader engagement and providing a more immersive learning experience. Connection Example Danfoss is one of the best book in our library for free trial. We provide copy of Connection Example Danfoss in digital format, so the resources that you find are reliable. There are also many Ebooks of related with Connection Example Danfoss. Where to download Connection Example Danfoss online for free? Are you looking for Connection Example Danfoss PDF? This is definitely going to save you time and cash in something you should think about.

### **Find Connection Example Danfoss :**

**improvement explained for entrepreneurs 86-1677 credit score improvement**

**chatbot development strategies for creators 86-37 chatbot development**

*America 86-2864 crypto trading explained USA 86-2090 crypto trading*

**funding trends for small business 86-499 startup funding trends for**

**data science careers strategies for entrepreneurs 86-753 data science**

**tutorial for startups 86-1663 parenting tips apps for creators 86-281**



---

web cambridge international as a level thinking skills coursebook mark dawes ruth matthews andrew roberts geoff thwaites  
google books this series helps students

**cambridge international as a level thinking skills cambridge** - Jul 25 2022

web thinking skills are intellectual skills for example critical thinking and synthesis published in chapter higher order  
thinking in online courses from handbook of

**what s so important about thinking skills cambridge** - Mar 21 2022

web [thinking skills](#) [reverso context](#) critical thinking skills

**thinking skills john butterworth geoff thwaites google books** - Mar 01 2023

web oct 5 2016 unit 1 thinking and reasoning 1 thinking as a skill 2 an introduction to critical thinking 3 solutions not  
problems unit 2 critical thinking the basics 1

**critical thinking and problem solving thinking skills** - Aug 26 2022

web sep 20 2018 amazon com cambridge international as a level thinking skills coursebook 9781108441049 dawes mark  
matthews ruth roberts andrew

**what is thinking skills igi global** - Apr 21 2022

web thinking skills synonyms 123 words and phrases for thinking skills cognitive processes n abilities to think n analytical  
abilities n brain abilities n

**thinking skills critical thinking and problem solving** - Dec 30 2022

web thinking skills encourages students to reflect on the processes of thinking as well as developing and practising thinking  
skills it is divided into two sections critical thinking

**cambridge international as a level thinking skills coursebook** - May 23 2022

web nov 8 2023 but what does that look like the author who has coached thousands of leaders to help develop their  
strategic thinking capabilities has identified three core

*thinking skills thinking skills cambridge university press* - Oct 08 2023

web oct 5 2016 unit 1 thinking and reasoning 1 thinking as a skill 2 an introduction to critical thinking 3 solutions not  
problems unit 2 critical thinking the basics 1 claims assertions statements 2 judging claims 3 argument 4 identifying  
arguments 5

[thinking skills](#) [reverso context](#) - Dec 18 2021

web in judging any skill there are two key criteria 1 the expertise with which a task is carried out 2 the difficulty of the task  
we are very familiar with this in the case of physical

[thinking skills critical thinking and problem solving cambridge](#) - Jun 04 2023

web apr 18 2013 thinking skills second edition is the only endorsed coursebook that provides complete coverage of the cambridge as and a level thinking skills syllabus

**thinking skills critical thinking and problem solving** - Aug 06 2023

web may 26 2005 buy thinking skills cambridge international examinations by john butterworth geoff thwaites isbn 9780521521499 from amazon s book store

*thinking skills second edition by cambridge* - May 03 2023

web may 26 2005 encourage students to reflect on the processes of thinking as well as practising thinking skills thinking skills encourages students to reflect on the

**thinking skills** fpx - Nov 16 2021

*thinking skills cambridge international examinations* - Jul 05 2023

web thinking skills critical thinking and problem solving cambridge international examinations butterworth john thwaites geoff amazon com tr kitap thinking

**unit 1 thinking and reasoning 1 1 thinking as a skill** - Sep 14 2021

**cambridge international as a level thinking skills coursebook** - Jun 23 2022

web feb 22 2021 critical thinking is about the appraisal of written arguments it s about being able to understand a variety of arguments from different points of view how they are

**thinking skills cambridge international examinations** - Jan 31 2023

web thinking skills second edition is the only endorsed coursebook that provides complete coverage of the cambridge as and a level thinking skills syllabus offering

*middle schooler wins national science fair for fire detection* - Oct 16 2021

**just enough physiology by james r munis overdrive** - Apr 29 2023

web jan 27 2012 just enough physiology ebook mayo clinic scientific press by james r munis read a sample format ebook isbn 9780199797790 series mayo clinic scientific press author james r munis publisher oxford university press release 27 january 2012 subjects medical nonfiction find this title in libby the library reading

*just enough physiology oxford academic* - Aug 02 2023

web just enough physiology mayo clinic scientific press new york 2011 online edn oxford academic 1 june 2012 doi org 10 1093 med 9780199797790 001 0001 accessed 19 aug 2023

---

**just enough physiology mayo clinic scientific press** - Oct 04 2023

web jan 27 2012 just enough physiology takes the user on a guided tour of cardiopulmonary physiology they will discover how the heart lungs and circulation work in extreme environments so that they are better equipped to understand how they function or malfunction at the bedside in the operating room or in the intensive care unit

**oxygen and the gradients of life just enough physiology** - Dec 26 2022

web oxygen and the gradients of life just enough physiology oxford academic abstract physiologically what is the difference between a patient undergoing deep hypothermic circulatory arrest and another patient who has died and cooled t

*preface just enough physiology oxford academic* - Mar 17 2022

web preface just enough physiology mayo clinic scientific press new york 2011 online edn oxford academic 1 june 2012 doi org 10 1093 med 9780199797790 002 0006 accessed 15 aug 2023

**top ranked hospital in the nation mayo clinic** - Jul 21 2022

web mayo clinic has more no 1 rankings than any other hospital in the nation according to u s news world report learn more about our top ranked specialties

copyright page just enough physiology oxford academic - Nov 24 2022

web the prior permission of mayo foundation for medical education and research inquiries should be addressed to scientific publications plummer 10 mayo clinic 200 first st sw rochester mn 55905 library of congress cataloging in publication data munis james r just enough physiology james r munis p cm isbn 978 0 19 979779 0

*mayo clinic definition of mayo clinic by medical dictionary* - Jun 19 2022

web mayo clinic a non profit tertiary care centre in rochester minnesota which was founded by william mayo sr and his two sons william and charles in 1889 the mayo clinic is consistently ranked in the top 5 of the us news world report s annual reports on healthcare it has satellite units in scottsdale arizona and jacksonville florida

*just enough physiology james r munis google books* - May 31 2023

web just enough physiology will prepare all students and physicians in training for board exams while also teaching them how to think like a physiologist highlights of the mayo clinic

**mayo clinic wikipedia** - Aug 22 2022

web corporate affairs mayo clinic is a nonprofit hospital system with campuses in rochester minnesota scottsdale and phoenix arizona and jacksonville florida mayo clinic employs 76 000 people including more than 7 300 physicians and clinical residents and over 66 000 allied health staff as of 2022 in addition mayo clinic partially owns and

just enough physiology mayo clinic scientific press by james - Jul 01 2023

web feb 23 2012 just enough physiology takes the user on a guided tour of cardiopulmonary physiology they will discover

---

how the heart lungs and circulation work in extreme environments so that they are better equipped to understand how they function or malfunction at the bedside in the operating room or in the intensive care unit

*just enough physiology mayo clinic scientific pre eagldemo2* - Sep 22 2022

web just enough physiology mayo clinic scientific pre mayo clinic neurology board review basic sciences and psychiatry for initial certification mayo clinic neurology board review clinical neurology for initial certification and moc mayo clinic principles of shoulder surgery mayo clinic internal medicine board review mayo clinic critical

**do you always need the mayo clinic psychology today** - Apr 17 2022

web do you always need the mayo clinic understand the critical difference between teaching and non teaching hospitals posted feb 16 2015

**atmospheric and alveolar pressures just enough physiology** - Feb 13 2022

web munis james r atmospheric and alveolar pressures just enough physiology mayo clinic scientific press new york 2011 online edn oxford academic 1 june 2012 doi org 10 1093 med 9780199797790 003 0002 accessed 25 oct 2023

*just enough physiology online resource oxford university press* - Sep 03 2023

web part of the mayo clinic toolkit on oxford medicine online access the full enhanced text of this prestigious title from the mayo clinic scientific press online only benefits for the mayo clinic toolkit include a personalization area to speed up the research process

*just enough physiology mayo clinic scientific press illustrated* - Jan 27 2023

web just enough physiology mayo clinic scientific press ebook munis james r amazon co uk books

mayo clinic care network international medical center - May 19 2022

web member of the mayo clinic care network when it comes to your health it can be difficult to know the best choice for your medical needs hospitals that are members of the mayo clinic care network have been carefully selected by mayo clinic for providing high quality patient centered care and have been granted special access to mayo clinic knowledge

**munis james r just enough physiology sciarium** - Oct 24 2022

web jan 19 2020 just enough physiology pdf sciarium files higher education and science medicine normal human physiology munis james r just enough physiology pdf file size 4 58 mb added by mat29 01 19 2020 11 21 info modified 01 19 2020 18 11 oxford university press 2012 176 p

**just enough physiology mayo clinic scientific press** - Mar 29 2023

web just enough physiology mayo clinic scientific press illustrated edition kindle edition by james r munis author format kindle edition 4 6 11 ratings part of mayo clinic scientific press 20 books see all formats and editions kindle 102 20 read with our free app paperback from 91 75 2 used from 95 17 7 new from 91 75

[just enough physiology mayo clinic scientific press abebooks](#) - Feb 25 2023

web just enough physiology takes the user on a guided tour of cardiopulmonary physiology they will discover how the heart lungs and circulation more buy new learn more about this copy us 47 21 convert currency shipping free destination rates speeds top search results from the abebooks marketplace

[kate the kate moss book tapa puede variar pasta dura](#) - Apr 11 2023

web created by kate moss herself in collaboration with creative director fabien baron jess hallett and jefferson hack this book is a highly personal retrospective of kate moss s career tracing her evolution from new girl with potential to one of

**kate the kate moss book la cobertura puede variar copy** - Feb 26 2022

web kate the kate moss book la cobertura puede variar curious tale of fi rex kate moss forest a see to learn book kate moss a primer for medical students residents and acute care practitioners the picu book the kate moss book a novel kate the kate moss book model of imperfection rules for modern life a connoisseur s survival guide

**kate the kate moss book la cobertura puede variar copy** - Jun 01 2022

web adjacent to the broadcast as well as acuteness of this kate the kate moss book la cobertura puede variar can be taken as without difficulty as picked to act kate the kate moss book la cobertura puede variar downloaded from whm oneclickdrive com by guest jimmy petersen kate the kate moss book from rizzoli new york

[download kate the kate moss book la cobertura puede variar](#) - May 12 2023

web oct 1 2021 download kate the kate moss book la cobertura puede variar de kate moss fabien baron libros gratis en epub kate the kate moss book la cobertura puede variar libro pdf espanol lee ahora descargar

**kate the kate moss book la cobertura puede variar awesome** - Jul 02 2022

web detail book title kate the kate moss book la cobertura puede variar format pdf kindle epub language english asin 0847837904 paperback 294 pages prod

**kate the kate moss book la cobertura puede variar copy** - Mar 30 2022

web apr 29 2023 kate the kate moss book la cobertura puede variar 2 10 downloaded from uniport edu ng on april 29 2023 by guest dark brooding seas baroque statuary crashing waves a long desert highway under threatening skies a berlin park at dusk enigmatic apartment buildings at night the rhine seen from the air the shadows

*kate the kate moss la cobertura puede variar pdf* - Jul 14 2023

web pages of kate the kate moss la cobertura puede variar a mesmerizing literary creation penned with a celebrated wordsmith readers attempt an enlightening odyssey unraveling the intricate significance of language and its enduring effect on our lives

[kate the kate moss book la cobertura puede variar pdf](#) - Nov 06 2022

web kate the kate moss book la cobertura puede variar 3 3 kate moss 97808478379 08 book depositoryop zoek naar artikelen van kate mosse artikelen van kate mosse koop je eenvoudig online bij bol com snel in huis veelal gratis verzondenbol com kate mosse artikelen kopen alle artikelen onlinekate mosse has 39 books on goodreads with

[kate the kate moss book la cobertura puede variar pdf](#) - Dec 27 2021

web kate the kate moss book la cobertura puede variar 2 11 downloaded from uniport edu ng on july 12 2023 by guest new transparency palette and superior vector and raster graphics readers start with an introduction to illustrator s many tools brushes and palettes lessons include making

**kate the kate moss book la cobertura puede variar** - Feb 09 2023

web kate the kate moss book la cobertura puede variar de moss kate en iberlibro com isbn 10 0847837904 isbn 13 9780847837908 rizzoli 2012 tapa dura 9780847837908 kate the kate moss book la cobertura puede variar iberlibro moss kate 0847837904

*kate the kate moss book cover may vary amazon com* - Jun 13 2023

web nov 6 2012 kate the kate moss book cover may vary moss kate baron fabien hallett jess hack jefferson on amazon com free shipping on qualifying offers kate the kate moss book cover may vary

**kate the kate moss book la cobertura puede variar pdf** - Oct 05 2022

web 2 kate the kate moss book la cobertura puede variar 2020 04 10 kate the kate moss book la cobertura puede variar downloaded from urbandev themontcalm com by guest cason allen books by kate mosse author of labyrinth kate the kate moss bookexternal links mosse s official website kate mosse s books on the publisher s

**kate the kate moss book kate moss google books** - Dec 07 2022

web following the international success of universe s original edition kate returns in an attractive mini paperback format featuring the celebrated original design and photographs by bruce weber steven meisel peter lindberg and other famous fashion photographers in her unique and endearing style moss traces her evolution from shy teen into the

[kate the kate moss book la cobertura puede variar copy](#) - Jan 28 2022

web may 25 2023 you could enjoy now is kate the kate moss book la cobertura puede variar below claimed among the stars a sci fi romance charity anthology kate rudolph 2021 09 15 make contact with the hottest alien anthology in the universe claimed among the stars will rocket you to reading bliss with more action adventure and pleasure than

**kate the kate moss la cobertura puede variar charles w l** - Sep 04 2022

web kate the kate moss la cobertura puede variar kate the kate moss la cobertura puede variar 1 downloaded from bespoke cityam com on 2023 06 10 by guest kate the kate

*kate the kate moss book cover may vary goodreads* - Mar 10 2023

---

web 141 ratings9 reviews created by kate moss herself in collaboration with creative director fabien baron jess hallett and jefferson hack this book is a highly personal retrospective of kate moss s career tracing her evolution from new girl with potential to one of the most iconic models of all time the kate moss book will be

[kate the kate moss la cobertura puede variar marian green book](#) - Apr 30 2022

web to creating a customer profile the book explains key theoretical concepts and illustrates how they are applied within the global fashion and retail industry from the heights of haute couture to the multiples of the mass market using examples and case studies drawn from a broad range of fashion textile and retail businesses

**kate the kate moss book la cobertura puede variar tapa** - Aug 15 2023

web created by kate moss herself in collaboration with creative director fabien baron jess hallett and jefferson hack this book is a highly personal retrospective of kate moss s career tracing her evolution from new girl with potential to one of

*kate the kate moss book amazon com* - Jan 08 2023

web aug 15 1997 kate the kate moss book kate moss liz tilberis on amazon com free shipping on qualifying offers kate the

kate moss book ana de la serna martín 4 0 out of 5 stars recopilación de fotos de kate moss reviewed in spain on april 21

2021 verified purchase demasiadas fotos de desnudo he echado en falta muchas

**kate the kate moss book la cobertura puede variar pdf** - Aug 03 2022

web may 3 2023 kate the kate moss book la cobertura puede variar 2 12 downloaded from uniport edu ng on may 3 2023 by

guest advertising campaigns today black city fernando gamboa 2015 11 30 an ancient mistery an impossible place an

unimaginable adventure professor castillo s daughter has mysteriously disappeared in the amazon jungle