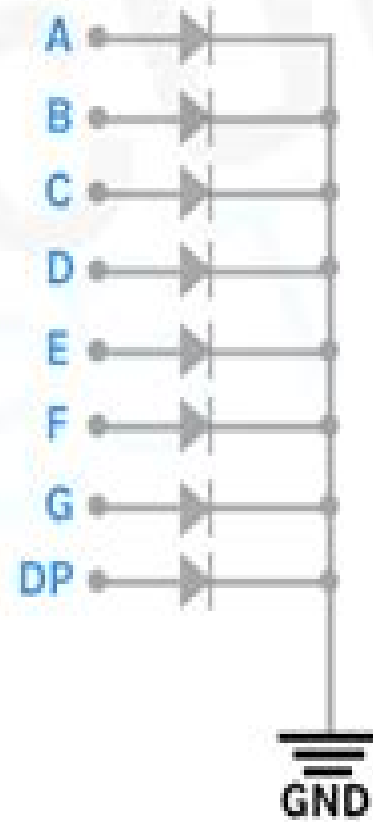
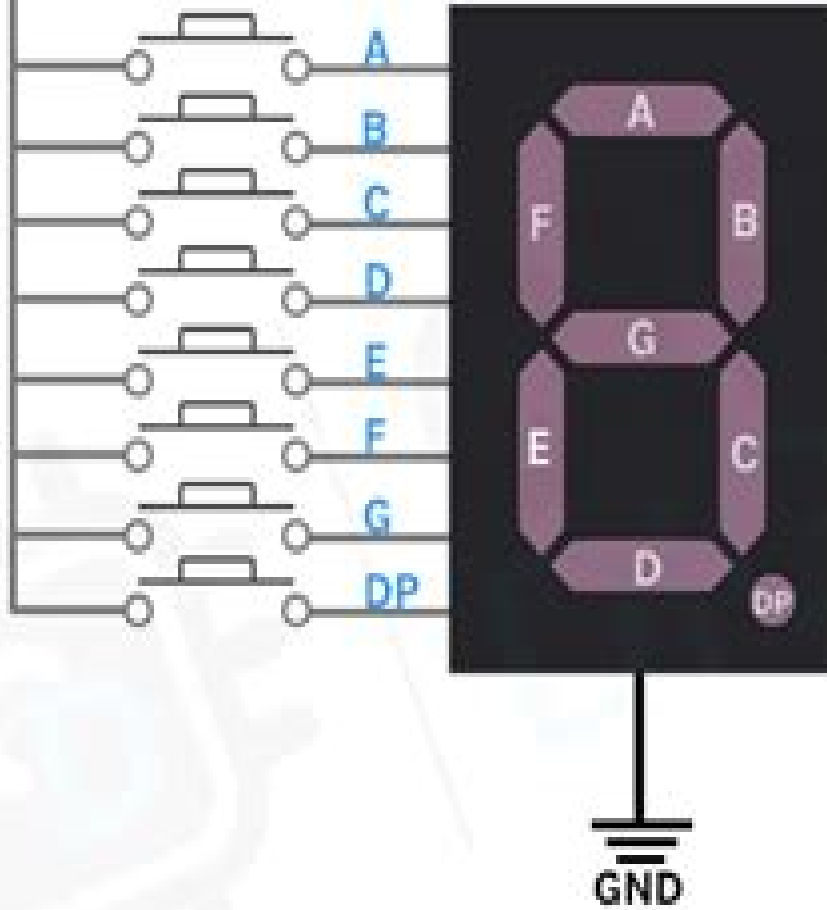


VCC



Common Cathode
7 Segment

7 Segment Led Controller Datasheet

RJ Shavelson



7 Segment Led Controller Datasheet:

C and the 8051 Thomas W. Schultz, Thomas Schultz, 2004 This totally reworked book combines two previous books with material on networking It is a complete guide to programming and interfacing the 8051 microcontroller family devices for embedded applications

Digital Electronic Components Franco Zappa, Rita Asquini, 2025-05-13 The book is aimed at readers interested in the hardware design of digital electronic circuits and systems It introduces the basics of digital electronics and then describes in detail both combinational and sequential components The book aims at providing an indepth overview of commercially available off the shelf devices necessary to design low and medium complexity digital electronic systems Topics covered in the book Basic and advanced logic gates TTL and CMOS logic families and interoperability Combinational logic and truth table Sum of Products Product of Sums and Karnaugh maps design Sequential logic and classifications Latches and Flip Flops Combinational components encoders decoders comparators parity generators and checkers Adders ALU mux demux Sequential components latches and flip flops shift registers counters Memories ROM RAM SDRAM and flash 8 bit Microcontrollers architectures and development tools Basics of typical microcontroller s assembly language and opcodes Microcontrollers internal peripherals and their working operations

Digital Electronics Franco Zappa, 2019-09-11 The book is addressed to an audience interested in the hardware design of digital electronic circuits and systems It introduces the basics of digital electronics and then describes in detail both combinational and sequential logics and components The book aims at providing an in depth overview of the devices and components necessary to design digital electronic systems by exploiting commercially available components The book describes the most important concepts components internal block diagrams schematics and functional specifications implementations and design tricks that are the fundamental building blocks of any complex electronic system designed to be implemented either through discrete components in electronic boards or by means of single chip programmable logic such as Field Programmable Gate Arrays and microcontrollers The topics covered by the book are Basic and advanced logic gates TTL and CMOS logic families and interoperability Combinational logic and truth table Sum of Products Product of Sums and Karnaugh maps design Sequential logic and classifications Latches and Flip Flops Combinational MSI integrated circuits encoders decoders comparators parity generators and checkers adders ALU multiplexer demultiplexer Sequential MSI integrated circuits latches and flip flops registers shift registers counters Memories ROM RAM SDRAM E2PROM and flash Basics on 8 bit Microcontrollers

Shortening the Path from Specification to Prototype ,2002 **Electrical Design News** ,1982

Arduino Cookbook Michael Margolis, Brian Jepson, Nicholas Robert Weldin, 2020-04-17 Want to create devices that interact with the physical world This cookbook is perfect for anyone who wants to experiment with the popular Arduino microcontroller and programming environment You ll find more than 200 tips and techniques for building a variety of objects and prototypes such as IoT solutions environmental monitors location and position aware systems and products that can

respond to touch sound heat and light Updated for the Arduino 1.8 release the recipes in this third edition include practical examples and guidance to help you begin expand and enhance your projects right away whether you're an engineer designer artist student or hobbyist Get up to speed on the Arduino board and essential software concepts quickly Learn basic techniques for reading digital and analog signals Use Arduino with a variety of popular input devices and sensors Drive visual displays generate sound and control several types of motors Connect Arduino to wired and wireless networks Learn techniques for handling time delays and time measurement Apply advanced coding and memory handling techniques

Exploring BeagleBone Derek Molloy, 2018-12-17 In depth instruction and practical techniques for building with the BeagleBone embedded Linux platform Exploring BeagleBone is a hands on guide to bringing gadgets gizmos and robots to life using the popular BeagleBone embedded Linux platform Comprehensive content and deep detail provide more than just a BeagleBone instruction manual you'll also learn the underlying engineering techniques that will allow you to create your own projects The book begins with a foundational primer on essential skills and then gradually moves into communication control and advanced applications using C/C++ allowing you to learn at your own pace In addition the book's companion website features instructional videos source code discussion forums and more to ensure that you have everything you need The BeagleBone's small size high performance low cost and extreme adaptability have made it a favorite development platform and the Linux software base allows for complex yet flexible functionality The BeagleBone has applications in smart buildings robot control environmental sensing to name a few and expansion boards and peripherals dramatically increase the possibilities Exploring BeagleBone provides a reader friendly guide to the device including a crash course in computer engineering While following step by step you can Get up to speed on embedded Linux electronics and programming Master interfacing electronic circuits buses and modules with practical examples Explore the Internet connected BeagleBone and the BeagleBone with a display Apply the BeagleBone to sensing applications including video and sound Explore the BeagleBone's Programmable Real Time Controllers Updated to cover the latest Beagle boards Linux kernel versions and Linux software releases Includes new content on Linux kernel development the Linux Remote Processor Framework CAN bus IoT frameworks and much more Hands on learning helps ensure that your new skills stay with you allowing you to design with electronics modules or peripherals even beyond the BeagleBone Insightful guidance and online peer support help you transition from beginner to expert as you master the techniques presented in Exploring BeagleBone the practical handbook for the popular computing platform

Designer's Handbook of Integrated Circuits Arthur Bernard Williams, 1984

Electronics, 1983 June issues 1941 44 and Nov issue 1945 include a buyers guide section **Introduction to Mechatronics and Measurement Systems** David G. Alciatore, Michael B. Hstand, 2007 Providing comprehensive coverage of the field of mechatronics this book is useful for mechanical electrical and aerospace engineering majors It presents a review of electrical circuits solid state devices digital circuits and motors It also includes many illustrations examples class

discussion items and chapter questions and exercises Exploring Raspberry Pi Derek Molloy,2016-06-09 Expand Raspberry Pi capabilities with fundamental engineering principles Exploring Raspberry Pi is the innovators guide to bringing Raspberry Pi to life This book favors engineering principles over a recipe approach to give you the skills you need to design and build your own projects You ll understand the fundamental principles in a way that transfers to any type of electronics electronic modules or external peripherals using a learning by doing approach that caters to both beginners and experts The book begins with basic Linux and programming skills and helps you stock your inventory with common parts and supplies Next you ll learn how to make parts work together to achieve the goals of your project no matter what type of components you use The companion website provides a full repository that structures all of the code and scripts along with links to video tutorials and supplementary content that takes you deeper into your project The Raspberry Pi s most famous feature is its adaptability It can be used for thousands of electronic applications and using the Linux OS expands the functionality even more This book helps you get the most from your Raspberry Pi but it also gives you the fundamental engineering skills you need to incorporate any electronics into any project Develop the Linux and programming skills you need to build basic applications Build your inventory of parts so you can always make it work Understand interfacing controlling and communicating with almost any component Explore advanced applications with video audio real world interactions and more Be free to adapt and create with Exploring Raspberry Pi EDN ,1994 **Practical Digital Electronics** Nigel P. Cook,2004 Appropriate for Digital Electronics courses in high schools vocational technical schools and community colleges After 16 textbooks 26 editions and 19 years of front line education experience best selling author Nigel Cook s new text Practical Digital Electronics completes the successful Practical Series trilogy Practical Electricity 14 dc ac chapters ISBN 0 13 042047 6 Practical Electronics 14 devices chapters ISBN 0 13 042082 4 Practical Digital Electronics 14 digital chapters ISBN 0 13 111060 8 Electronic Design ,2006 Instrumentation & Control Systems ,1998 *Computer Design* ,1982 **Pollution Equipment News** ,2000 **Lab Manual to Accompany Tocci's Digital Systems, Principles and Applications, 3/E** Jim C. DeLoach,1985 The Linear Control Circuits Data Book for Design Engineers Texas Instruments Incorporated. Semiconductor Group,1976 *Popular Electronics* ,1982

Eventually, you will totally discover a new experience and skill by spending more cash. still when? get you understand that you require to get those every needs afterward having significantly cash? Why dont you attempt to acquire something basic in the beginning? Thats something that will lead you to understand even more all but the globe, experience, some places, behind history, amusement, and a lot more?

It is your no question own become old to take effect reviewing habit. accompanied by guides you could enjoy now is **7 Segment Led Controller Datasheet** below.

https://py.bijouxmedusa.com/book/uploaded-files/index.jsp/Organic_Chemistry_Maitland_Jones_5th_Edition_Pdf.pdf

Table of Contents 7 Segment Led Controller Datasheet

1. Understanding the eBook 7 Segment Led Controller Datasheet
 - The Rise of Digital Reading 7 Segment Led Controller Datasheet
 - Advantages of eBooks Over Traditional Books
2. Identifying 7 Segment Led Controller Datasheet
 - Exploring Different Genres
 - Considering Fiction vs. Non-Fiction
 - Determining Your Reading Goals
3. Choosing the Right eBook Platform
 - Popular eBook Platforms
 - Features to Look for in an 7 Segment Led Controller Datasheet
 - User-Friendly Interface
4. Exploring eBook Recommendations from 7 Segment Led Controller Datasheet
 - Personalized Recommendations
 - 7 Segment Led Controller Datasheet User Reviews and Ratings
 - 7 Segment Led Controller Datasheet and Bestseller Lists
5. Accessing 7 Segment Led Controller Datasheet Free and Paid eBooks

- 7 Segment Led Controller Datasheet Public Domain eBooks
- 7 Segment Led Controller Datasheet eBook Subscription Services
- 7 Segment Led Controller Datasheet Budget-Friendly Options
- 6. Navigating 7 Segment Led Controller Datasheet eBook Formats
 - ePub, PDF, MOBI, and More
 - 7 Segment Led Controller Datasheet Compatibility with Devices
 - 7 Segment Led Controller Datasheet Enhanced eBook Features
- 7. Enhancing Your Reading Experience
 - Adjustable Fonts and Text Sizes of 7 Segment Led Controller Datasheet
 - Highlighting and Note-Taking 7 Segment Led Controller Datasheet
 - Interactive Elements 7 Segment Led Controller Datasheet
- 8. Staying Engaged with 7 Segment Led Controller Datasheet
 - Joining Online Reading Communities
 - Participating in Virtual Book Clubs
 - Following Authors and Publishers 7 Segment Led Controller Datasheet
- 9. Balancing eBooks and Physical Books 7 Segment Led Controller Datasheet
 - Benefits of a Digital Library
 - Creating a Diverse Reading Collection 7 Segment Led Controller Datasheet
- 10. Overcoming Reading Challenges
 - Dealing with Digital Eye Strain
 - Minimizing Distractions
 - Managing Screen Time
- 11. Cultivating a Reading Routine 7 Segment Led Controller Datasheet
 - Setting Reading Goals 7 Segment Led Controller Datasheet
 - Carving Out Dedicated Reading Time
- 12. Sourcing Reliable Information of 7 Segment Led Controller Datasheet
 - Fact-Checking eBook Content of 7 Segment Led Controller Datasheet
 - Distinguishing Credible Sources
- 13. Promoting Lifelong Learning
 - Utilizing eBooks for Skill Development

- Exploring Educational eBooks
14. Embracing eBook Trends
- Integration of Multimedia Elements
 - Interactive and Gamified eBooks

7 Segment Led Controller Datasheet Introduction

In the digital age, access to information has become easier than ever before. The ability to download 7 Segment Led Controller Datasheet has revolutionized the way we consume written content. Whether you are a student looking for course material, an avid reader searching for your next favorite book, or a professional seeking research papers, the option to download 7 Segment Led Controller Datasheet has opened up a world of possibilities. Downloading 7 Segment Led Controller Datasheet provides numerous advantages over physical copies of books and documents. Firstly, it is incredibly convenient. Gone are the days of carrying around heavy textbooks or bulky folders filled with papers. With the click of a button, you can gain immediate access to valuable resources on any device. This convenience allows for efficient studying, researching, and reading on the go. Moreover, the cost-effective nature of downloading 7 Segment Led Controller Datasheet has democratized knowledge. Traditional books and academic journals can be expensive, making it difficult for individuals with limited financial resources to access information. By offering free PDF downloads, publishers and authors are enabling a wider audience to benefit from their work. This inclusivity promotes equal opportunities for learning and personal growth. There are numerous websites and platforms where individuals can download 7 Segment Led Controller Datasheet. These websites range from academic databases offering research papers and journals to online libraries with an expansive collection of books from various genres. Many authors and publishers also upload their work to specific websites, granting readers access to their content without any charge. These platforms not only provide access to existing literature but also serve as an excellent platform for undiscovered authors to share their work with the world. However, it is essential to be cautious while downloading 7 Segment Led Controller Datasheet. Some websites may offer pirated or illegally obtained copies of copyrighted material. Engaging in such activities not only violates copyright laws but also undermines the efforts of authors, publishers, and researchers. To ensure ethical downloading, it is advisable to utilize reputable websites that prioritize the legal distribution of content. When downloading 7 Segment Led Controller Datasheet, users should also consider the potential security risks associated with online platforms. Malicious actors may exploit vulnerabilities in unprotected websites to distribute malware or steal personal information. To protect themselves, individuals should ensure their devices have reliable antivirus software installed and validate the legitimacy of the websites they are downloading from. In conclusion, the ability to download 7 Segment Led Controller Datasheet has transformed the way we access information. With the

convenience, cost-effectiveness, and accessibility it offers, free PDF downloads have become a popular choice for students, researchers, and book lovers worldwide. However, it is crucial to engage in ethical downloading practices and prioritize personal security when utilizing online platforms. By doing so, individuals can make the most of the vast array of free PDF resources available and embark on a journey of continuous learning and intellectual growth.

FAQs About 7 Segment Led Controller Datasheet Books

How do I know which eBook platform is the best for me? Finding the best eBook platform depends on your reading preferences and device compatibility. Research different platforms, read user reviews, and explore their features before making a choice. Are free eBooks of good quality? Yes, many reputable platforms offer high-quality free eBooks, including classics and public domain works. However, make sure to verify the source to ensure the eBook credibility. Can I read eBooks without an eReader? Absolutely! Most eBook platforms offer webbased readers or mobile apps that allow you to read eBooks on your computer, tablet, or smartphone. How do I avoid digital eye strain while reading eBooks? To prevent digital eye strain, take regular breaks, adjust the font size and background color, and ensure proper lighting while reading eBooks. What the advantage of interactive eBooks? Interactive eBooks incorporate multimedia elements, quizzes, and activities, enhancing the reader engagement and providing a more immersive learning experience. 7 Segment Led Controller Datasheet is one of the best book in our library for free trial. We provide copy of 7 Segment Led Controller Datasheet in digital format, so the resources that you find are reliable. There are also many Ebooks of related with 7 Segment Led Controller Datasheet. Where to download 7 Segment Led Controller Datasheet online for free? Are you looking for 7 Segment Led Controller Datasheet PDF? This is definitely going to save you time and cash in something you should think about. If you trying to find then search around for online. Without a doubt there are numerous these available and many of them have the freedom. However without doubt you receive whatever you purchase. An alternate way to get ideas is always to check another 7 Segment Led Controller Datasheet. This method for see exactly what may be included and adopt these ideas to your book. This site will almost certainly help you save time and effort, money and stress. If you are looking for free books then you really should consider finding to assist you try this. Several of 7 Segment Led Controller Datasheet are for sale to free while some are payable. If you arent sure if the books you would like to download works with for usage along with your computer, it is possible to download free trials. The free guides make it easy for someone to free access online library for download books to your device. You can get free download on free trial for lots of books categories. Our library is the biggest of these that have literally hundreds of thousands of different products categories represented. You will also see that there are specific sites catered to different product types or categories, brands or niches related with 7 Segment Led Controller

Datasheet. So depending on what exactly you are searching, you will be able to choose e books to suit your own need. Need to access completely for Campbell Biology Seventh Edition book? Access Ebook without any digging. And by having access to our ebook online or by storing it on your computer, you have convenient answers with 7 Segment Led Controller Datasheet To get started finding 7 Segment Led Controller Datasheet, you are right to find our website which has a comprehensive collection of books online. Our library is the biggest of these that have literally hundreds of thousands of different products represented. You will also see that there are specific sites catered to different categories or niches related with 7 Segment Led Controller Datasheet So depending on what exactly you are searching, you will be able to choose ebook to suit your own need. Thank you for reading 7 Segment Led Controller Datasheet. Maybe you have knowledge that, people have search numerous times for their favorite readings like this 7 Segment Led Controller Datasheet, but end up in harmful downloads. Rather than reading a good book with a cup of coffee in the afternoon, instead they juggled with some harmful bugs inside their laptop. 7 Segment Led Controller Datasheet is available in our book collection an online access to it is set as public so you can download it instantly. Our digital library spans in multiple locations, allowing you to get the most less latency time to download any of our books like this one. Merely said, 7 Segment Led Controller Datasheet is universally compatible with any devices to read.

Find 7 Segment Led Controller Datasheet :

organic chemistry maitland jones 5th edition pdf

paediatric audiology 0 5 years practical aspects of audiology

panduan penyusunan ktsp anekabanksoal blogspot com

over 2 5 predictions over 2 5 goals betting tips mybets

ordinary and partial differential equations md raisinghanian pdf

organic chemistry fessenden 6th edition

oxford reading tree stage 3

passive voice how to spot it and fix it

oromia map pdf wordpress

pdf spring boot cookbook

pdf whisky technology production and marketing

organizational behavior stephen robbins 15th edition

organisational change development and transformation

paul auster el libro de las ilusiones pdf

panton incompressible flow solutions

7 Segment Led Controller Datasheet :

[buy contact lens online in singapore contactlens sg](#) - Oct 14 2023

web for over a decade contactlens sg has been the trusted source of 100 authentic contact lenses from the world s leading brands such as coopervision biofinity bausch lomb soflens freshkon alcon acuvue air optix dailies and more in singapore

lensmart singapore buy contact lenses sunglasses online - Jun 10 2023

web contact lenses clear lenses dailies dailies toric bi weekly bi weekly toric monthly monthly toric multifocal color lenses dailies monthly monthly toric quarterly quarterly toric special effects lenses promotion info about us contact us faqs terms contact lenses guide prescription guide how to order order tracking

[contact lens our eyewear collection better vision](#) - Jul 11 2023

web why do i need an eye health check before my first purchase with better vision can i go blind from contact lenses planning to shift to wearing contact lenses instead of eye glasses visit this page to check out our range of contact lenses and start a

acuvue brand contact lenses singapore - Aug 12 2023

web own your moment with the leader in eye health acuvue singapore for all eyehealth needs myopia hyperopia astigmatism beauty and presbyopia

contact lens online shop contact lens singapore - Apr 08 2023

web soflens 59 monthly bausch lomb soft contact lens 6 pcs 40 00 29 95 select options biofinity subscription subscription monthly coopervision soft contact lens 3 pcs from 50 32 every 3 months select options biofinity monthly coopervision soft contact lens 3 pcs 35 00 27 95 select options rated 5 00 out of 5

buy contact lenses online in singapore lenskart sg - Sep 13 2023

web contact lenses sort by showing 15 of 42 results similar products 0 0 j j define fresh green powered daily usage 8h 30 lens per box 72 10 off with gold membership code gold20per 4 6 144 acuvue oasis bi weekly disposable wit usage 24h 6 lens per box 61 10 off with gold membership code gold20per 4 8 129 acuvue

coopervision singapore live brightly contact lenses eye contacts - May 09 2023

web compared among coopervision 1 day silicone hydrogel contact lenses when it comes to contact lenses coopervision provides a great choice for contact lens wearers visit our website for helpful information and advice on contact lenses

free fillable quickbooks work order method - Feb 18 2022

web a work order is a document used to keep track of the tasks involved with completing a job work orders include details

such as a forecast for when the job should take place which team member you're tasking with the work the materials or tools needed any additional information specific to your business processes

work order templates instructions scheduling tofino software - Sep 27 2022

web warning do not use work order templates associated with assets for stand alone scheduling i.e work order templates must either be associated with assets or stand alone events both are not supported bom cnc machining center 14 41 2 29 bom for mazak machining center bom optic bnl 1042a 68 4cnmg 432 15 40 xplosives

work order template in excel spreadsheet planning templates - May 24 2022

web work order template can be applied as mini production tracking software or sub system of manufacturing software we have 2 work order templates as follows 1 work order form template version 1 00 work order template s features create or import bom and routing database can identify which materials will be issued in the desired

work orders free work order form template for excel vertex42 - May 04 2023

web aug 25 2021 the work order template captures customer and job information and summarizes labor and materials used to complete the jobs totals and taxes are calculated automatically all you have to enter are quantities unit costs tax rates and other charges

free work order template edit download jobber - Jun 05 2023

web create an accurate work order with our free template want to keep all your job details on hand for service repair or maintenance projects customize our free work order template with your business name customer details job information and more

maintenance work order form free printable template fmx - Mar 02 2023

web nov 17 2022 we've provided a two part printable work order template you can use together or separately depending on your work order process download or customize either free work order template from the links below

10 free work order templates in excel clickup - Nov 29 2022

web oct 13 2023 navigating the world of work orders is a breeze with the right templates work order templates help ensure that everything runs like clockwork from client communication to timely task completion in this article we're sharing the best free work order templates in excel and clickup

47 work order templates word google docs - Aug 27 2022

web sample service order template 6 free word excel pdf stop struggling with your work order form request and use a free download doc sample you'll find format templates for a repair job internal maintenance it service etc grab a basic work order example in pdf google docs or word

free mechanic work order form templates gocanvas - Apr 22 2022

web oct 13 2021 a mechanic work order template can be completely customized to your mechanic shop needs while work order forms provide standard fields to collect you will want the ability to build forms specific to the types of repairs and work orders your business provides for customers benefits of mobile apps vs excel and word

maintenance work order template pdf templates jotform - Oct 29 2022

web jul 25 2019 if you d like to take your maintenance company to the next level simply fill in a short form with client and job details and watch as this free maintenance work order template generates personalized pdf work orders easy to

40 printable work order templates excel word pdf - Sep 08 2023

web what is a work order template a work order format is a document that specifies what work someone needs to do along with all necessary details these include materials needed pricing taxes contract details and payment terms

15 free work order templates smartsheet - Oct 09 2023

web jul 10 2017 included on this page you ll find a variety of helpful work order templates that are free to download like a maintenance work order template a service work order template a printable work order request form and many more

[work order tracker templates for ms excel excel templates](#) - Jul 26 2022

web work orders are prepared and sent by the customer we offer all kinds of work order templates such as automotive work order maintenance work order construction work order and repair work order if you are planning to write a work order we have many work order templates that you can use for free simply download our work order

a quick guide to work orders example template included - Apr 03 2023

web jul 10 2023 here are some steps you can follow to write a work order then use our work order template to create your own work orders with ease contact and internal information our free work order template can be customized to fit the perimeters of your business but it s fully loaded with the basics

printable work order templates to manage your work orders - Dec 31 2022

web mar 15 2022 a printable work order template is a pre designed form that makes it easier to physically issue a work order it includes fields for describing the work that needs to be done this helps to make sure no element of the work order is missing download excel template when a customer wants to hire you for a gig they submit a work request

machine order form template jotform - Mar 22 2022

web dec 23 2019 with jotform s sales order form templates you can easily collect orders on any device our form builder lets you customize your form with products photos and your logo for a professional design that matches your business

work order templates download print for free workyard blog - Aug 07 2023

web use our free work order templates to save time and ensure your work orders are consistent and complete download customize and print various work order templates in pdf doc and excel sheet formats

[10 free manufacturing excel templates download now](#) - Jul 06 2023

web oct 18 2022 manufacturers will want to download our free work order template for excel it standardizes the relationship between manufacturers and contractors as well as details the job due dates and much more this governing document also sets the

work order template for excel free download projectmanager - Feb 01 2023

web this work order format is sure to expedite the process and is useful no matter the industry you re working in download our free excel work order template to organize your requested tasks make a work order and keep your project running smoothly

[machine shop work order template doc template pdffiller](#) - Jun 24 2022

web what is machine shop work order template form the machine shop work order template is a word document that can be filled out and signed for specific reasons in that case it is provided to the relevant addressee to provide specific information of certain kinds

grammar and vocabulary for advanced with answers hewings - Jun 05 2023

web grammar and vocabulary reference and practice for the revised cambridge english advanced cae from 2015 cambridge grammar and vocabulary for advanced

download grammar and vocabulary for advanced book with - Sep 08 2023

web cambridge grammar and vocabulary for advanced provides complete coverage of the grammar and vocabulary needed for the cambridge english advanced exam and

download grammar and vocabulary for advanced book with - Jul 26 2022

web on learns! you can find pretty much everything to help you level up the game in the following article we have listed advanced level grammar exercises with answers that

grammar and vocabulary for advanced book with ans - Feb 18 2022

web merely said the grammar and vocabulary for advanced book with ans is universally compatible following any devices to read test your english vocabulary in use

grammar and vocabulary for advanced cambridge es - Sep 27 2022

web sep 23 2023 the advanced english grammar exercises in this article will help you learn complex new grammar topics to keep moving towards english fluency contents do

advanced level grammar exercises with answers learn esl - Jun 24 2022

web grammar and vocabulary for advanced cambridge university grammar and vocabulary for advanced grammar and vocabulary for advanced book with

grammar and vocabulary for advanced book with ans - Jan 20 2022

web oct 1 2023 angela farrer advanced grammar is the study of composition rules and techniques beyond the basic level success in studying grammar beyond the basics

pdf grammar and vocabulary for cambridge advanced and - Oct 29 2022

web grammar vocabulary and pronunciation advanced grammar in use 4th edition essential grammar in use spanish edition 4th edition essential grammar in use 4th

resources advanced cambridge university press - Dec 31 2022

web accommodation competition glass grammar jam lace paper property room sight speech time tin traffic work unit 6 subject verb agreement with determiners quantifiers and

grammar solutions oxford university press - Feb 01 2023

web browse shop and download advanced teaching and learning resources from cambridge english

bbc learning english hard grammar guide - Mar 02 2023

web grammar select an exercise below unit 1 exercise 1 habitual actions unit 1 exercise 2 phrasal verbs unit 2 exercise 1 as and like unit 2 exercise 2 narrative tenses

grammar and vocabulary for advanced cambridge university - May 04 2023

web grammar and vocabulary for advanced book with answers and audio self study grammar reference and practice

what is advanced grammar with pictures language humanities - Dec 19 2021

web grammar and vocabulary reference and practice for the revised cambridge english advanced cae from 2015 cambridge grammar and vocabulary for advanced

grammar and vocabulary for advanced book with ans - Mar 22 2022

web advanced grammar in use book with answers and cd rom russian tutor grammar and vocabulary workbook learn russian with teach yourself self study reference

grammar and vocabulary for advanced book with ans 2023 - Apr 22 2022

web advanced grammar vocabulary oxford english grammar course advanced with answers cd rom pack finnish tutor grammar and vocabulary workbook learn

grammar and vocabulary for advanced with answers - Oct 09 2023

web download pdf grammar and vocabulary for advanced book with answers pdf 7bosuqbbevfo cambridge english 2015 278 pages language englishgrammar

cambridge vocabulary advanced advanced cambridge - Apr 03 2023

web hard grammar reference check and improve your grammar with our advanced grammar reference guide on this page

you ll find links to our advanced grammar summary

advanced grammar exercises 14 sites that cover every - Aug 27 2022

web grammar and vocabulary for advanced book with answers author haines simon language english region tags cambridge grammar of english cambridge

g v adv grammar reference cambridge es - Nov 29 2022

web grammar and vocabulary for cambridge advanced and proficiency with key grammar and vocabulary for cambridge advanced and proficiency with key close log in

grammar and vocabulary for advanced advanced cambridge - Aug 07 2023

web cambridge grammar and vocabulary for advanced with answers provides complete coverage of the grammar and vocabulary needed for the revised exams and develops

grammar and vocabulary for advanced cambridge university - Nov 17 2021

grammar and vocabulary for advanced book with ans full pdf - May 24 2022

web cambridge grammar and vocabulary for advanced pdf grammar and vocabulary for advanced amazon co uk cambridge english grammar and vocabulary for grammar

cambridge english grammar and vocabulary for advanced with - Jul 06 2023

web grammar and vocabulary reference and practice for the revised cambridge english advanced cae from 2015 cambridge grammar and vocabulary for advanced